



US00D377338S

United States Patent [19]

[11] Patent Number: **Des. 377,338**

Terleski

[45] Date of Patent: ****Jan. 14, 1997**

[54] COMBINED CONTROL CONSOLE CASE AND COVER

DESCRIPTION

[75] Inventor: **Timothy W. Terleski**, Garland, Tex.

[73] Assignee: **Vari-Lite, Inc.**, Dallas, Tex.

[**] Term: **14 Years**

[21] Appl. No.: **27,320**

[22] Filed: **Aug. 18, 1994**

[52] U.S. Cl. **D13/184**

[58] Field of Search D13/162, 164, D13/184; 315/292, 316; 362/85, 233

[56] References Cited

U.S. PATENT DOCUMENTS

D. 360,404 7/1995 Cotten et al. D13/164

OTHER PUBLICATIONS

Leprecon lighting control LP-500 on Leprecon literature ©1984.

Primary Examiner—Joel Sincavage

Attorney, Agent, or Firm—Morgan & Finnegan, L.L.P.

[57] CLAIM

The ornamental design for a combined control console case and cover, as shown and described.

FIG. 1 is a top view of the combined control console case and cover, the cover being omitted for clarity;
 FIG. 2 is a bottom view of the case;
 FIG. 3 is a right-side view of the case;
 FIG. 4 is a left-side view of the case;
 FIG. 5 is a rear view of the case;
 FIG. 6 is a front view of the case;
 FIG. 7 is a perspective view of the case showing the front, top, and right side;
 FIG. 8 is a bottom view of the combined control console case and cover, the case being omitted for clarity;
 FIG. 9 is a top view of the cover;
 FIG. 10 is a right side view of the cover;
 FIG. 11 is a left side view of the cover;
 FIG. 12 is a perspective view of the cover showing the front, bottom, and left side;
 FIG. 13 is rear view of the cover;
 FIG. 14 is front view of the cover;
 FIG. 15 is perspective view of the cover showing the front, top, and right side;
 FIG. 16 is a perspective view of the cover as placed upon the control console case; and,
 FIG. 17 is a perspective view of the control console case as placed upon the cover which has been inverted to serve as a stand for the control console case.

1 Claim, 13 Drawing Sheets

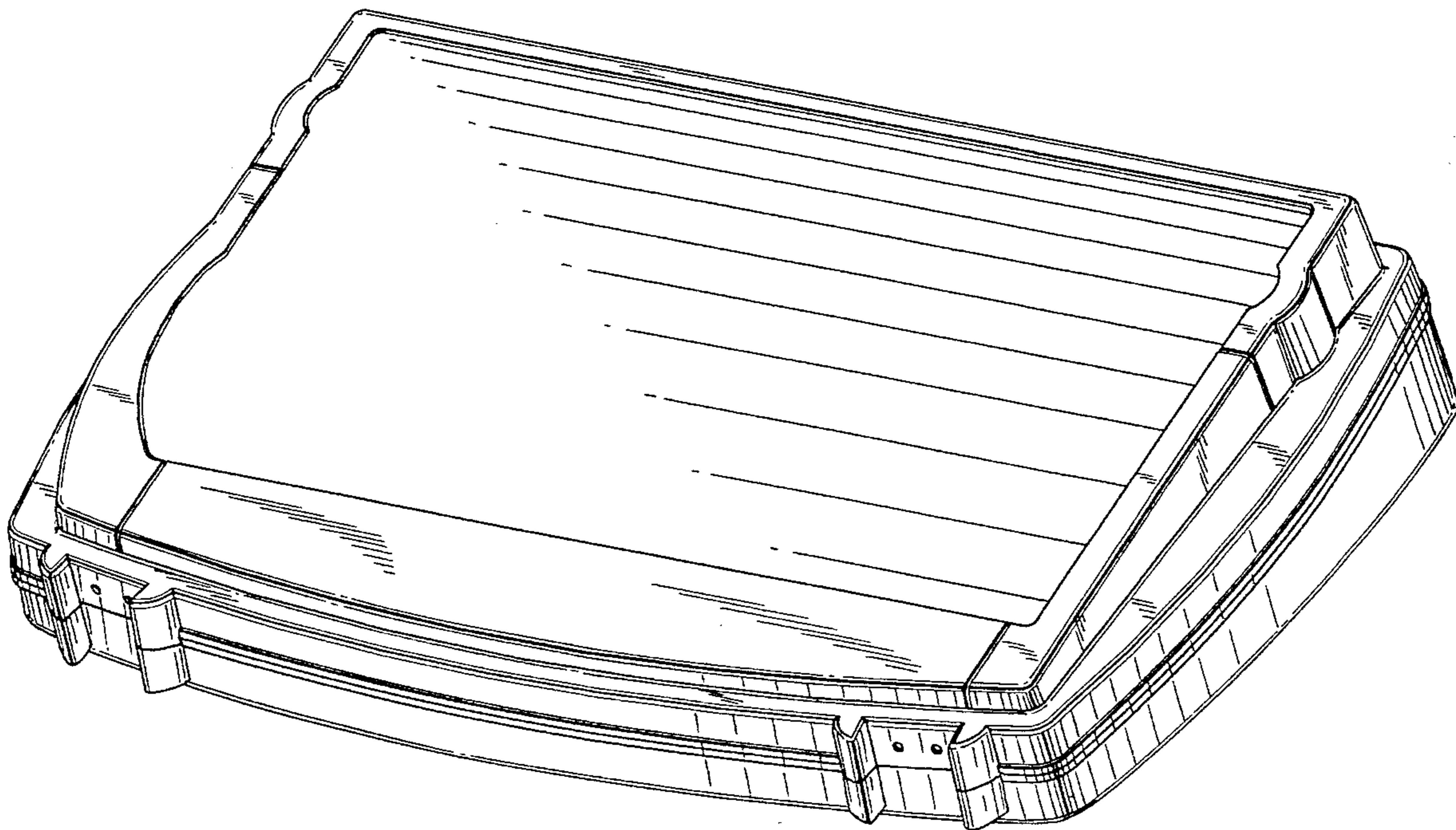


FIG. 1

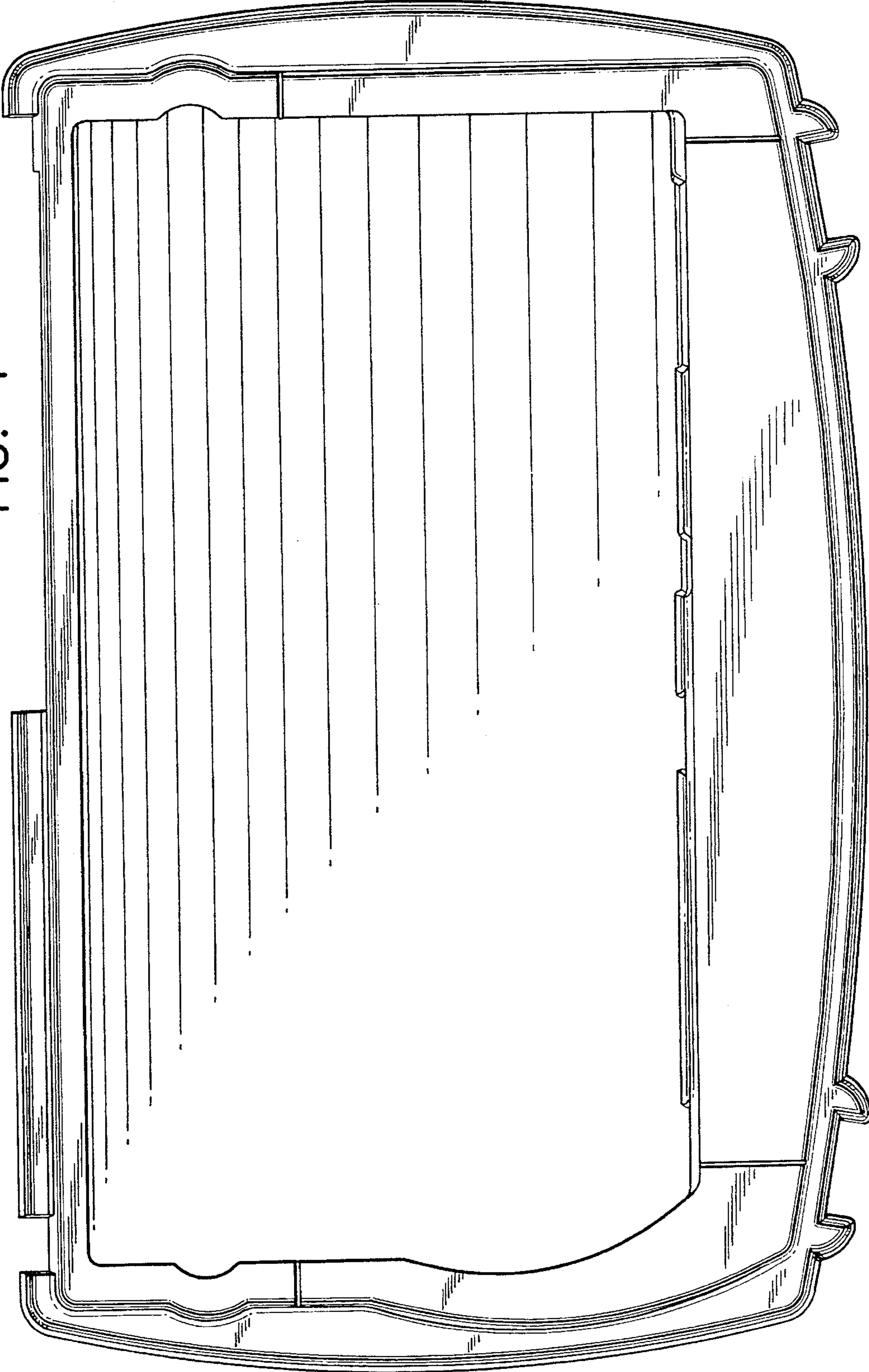


FIG. 2

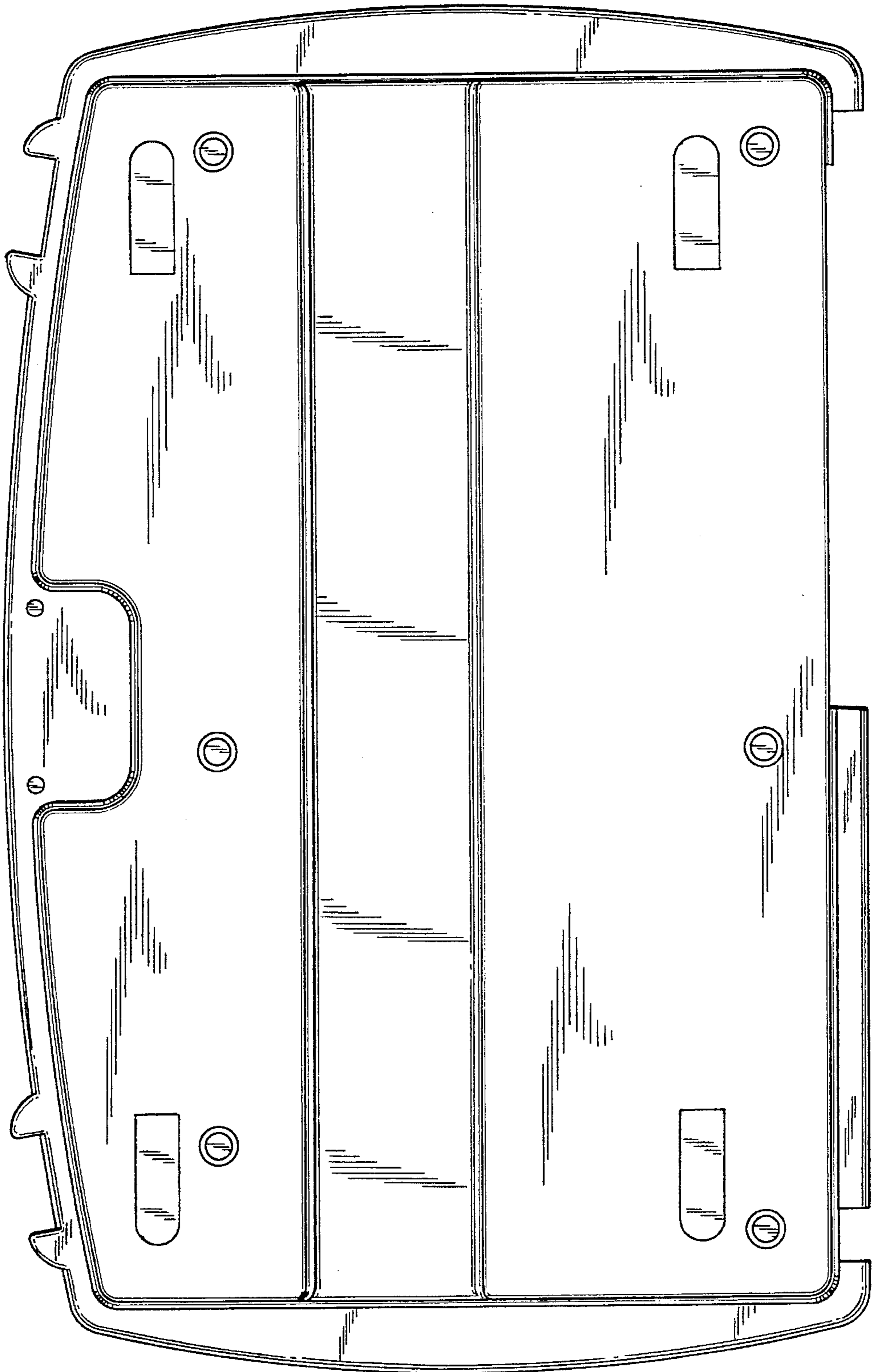


FIG. 3

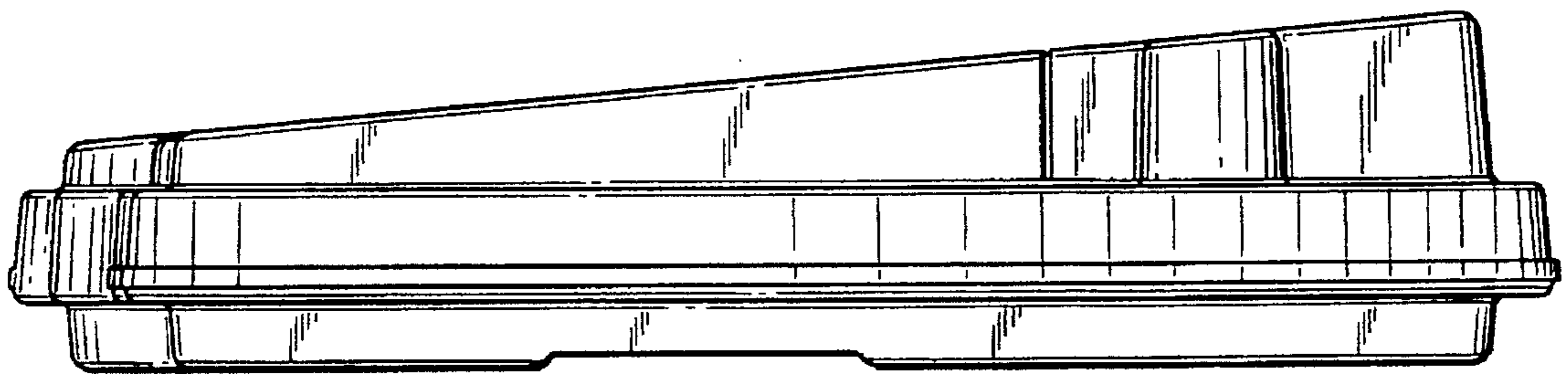


FIG. 4

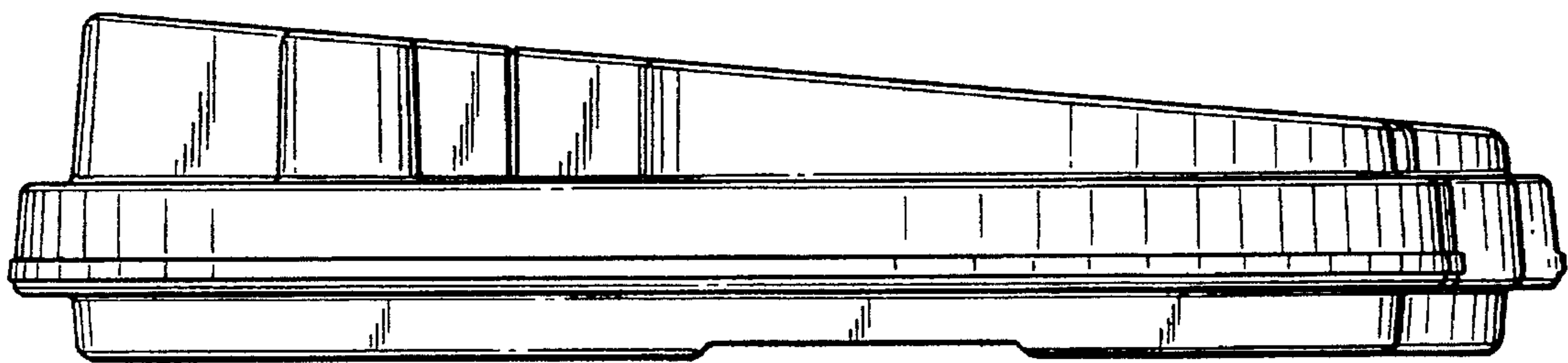


FIG. 5

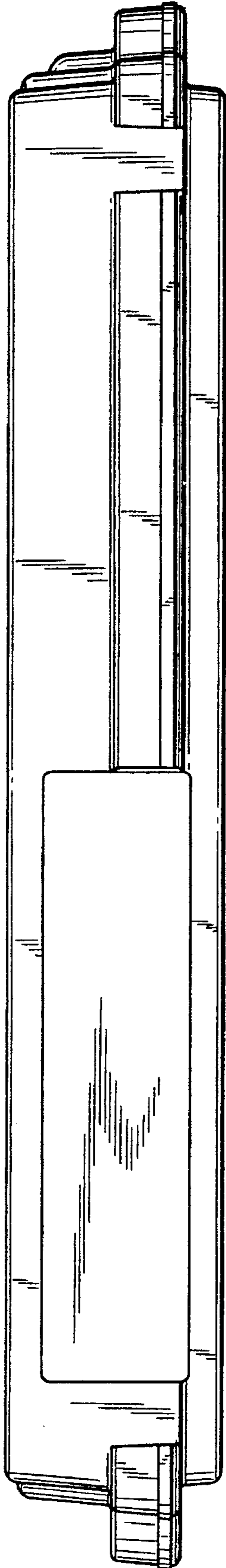


FIG. 6

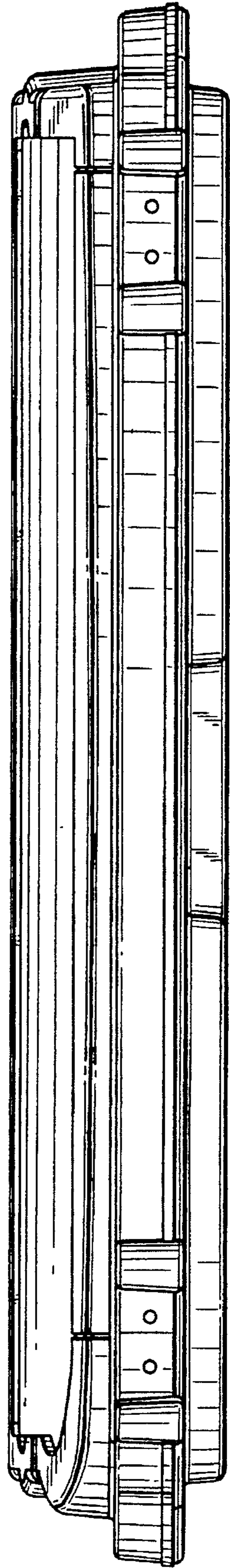


FIG. 7

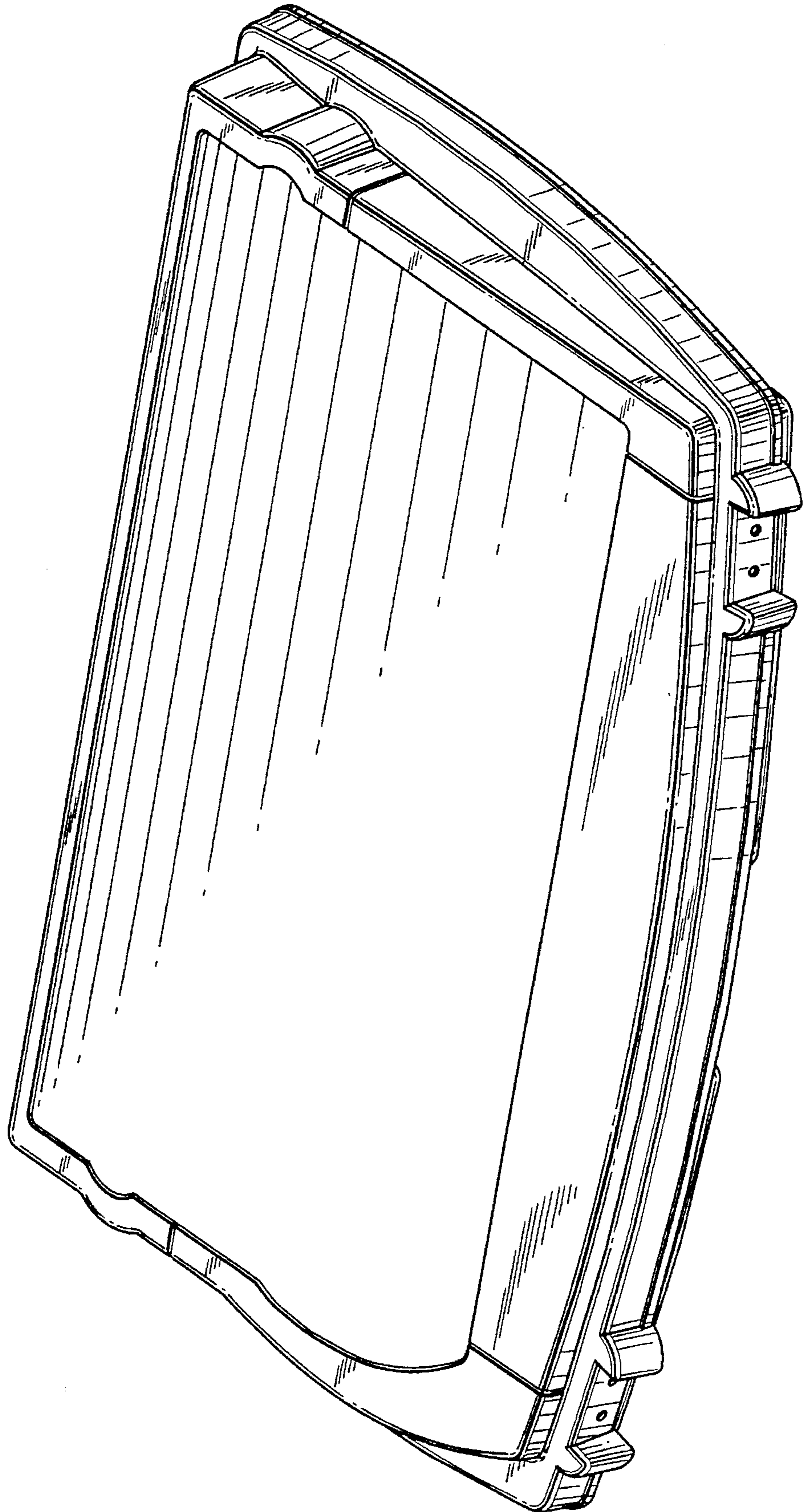


FIG. 8

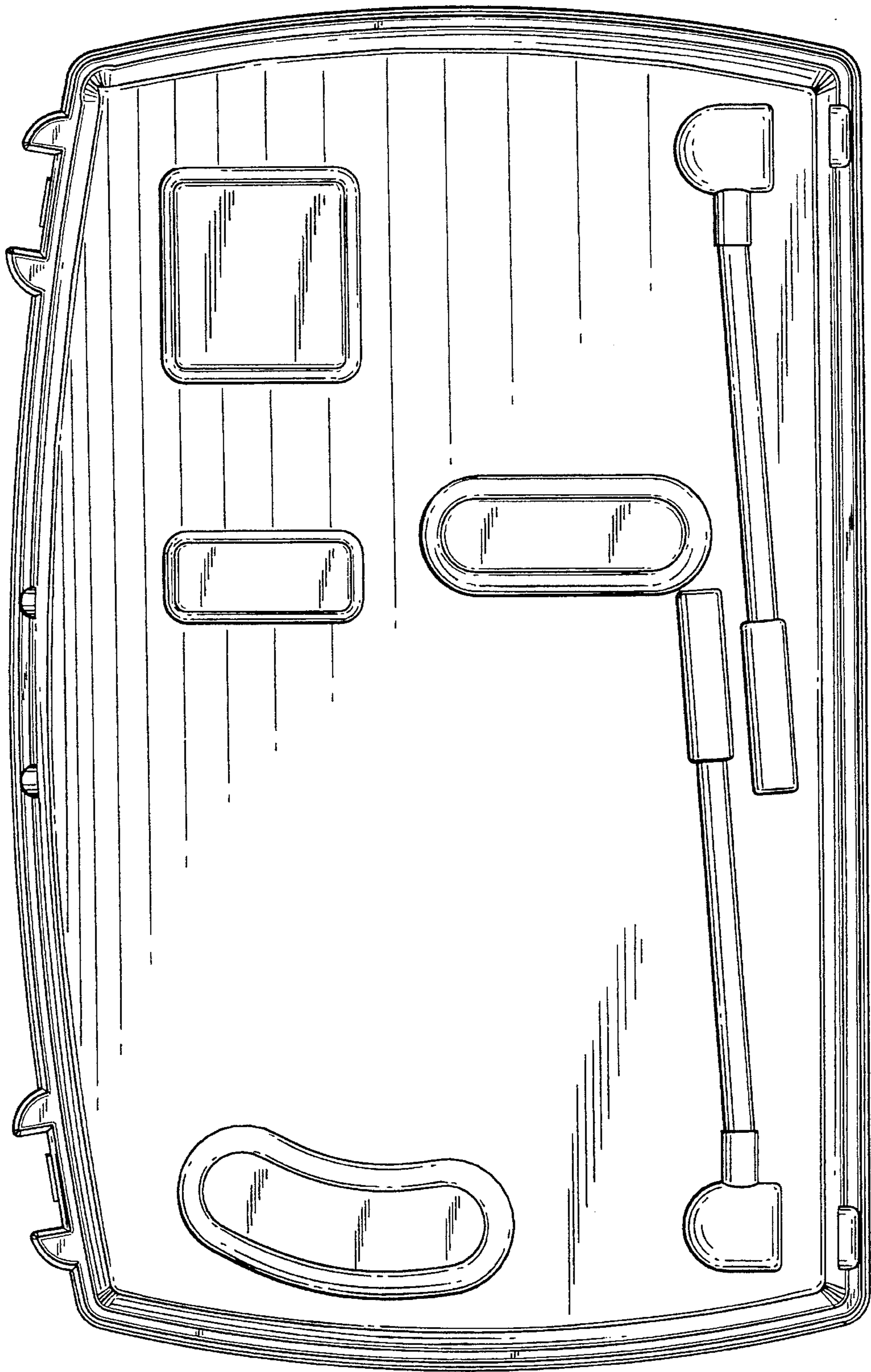
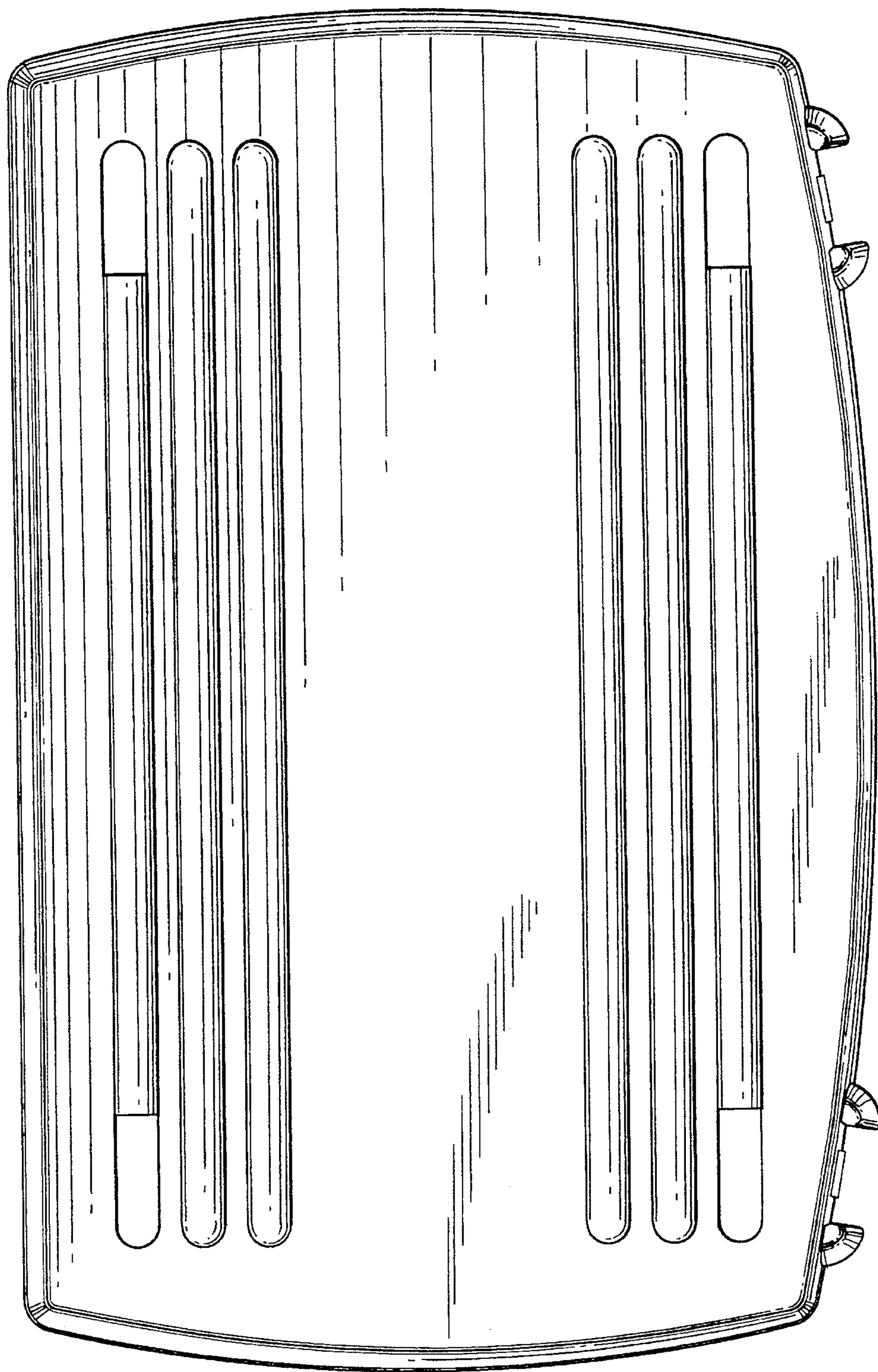


FIG. 9



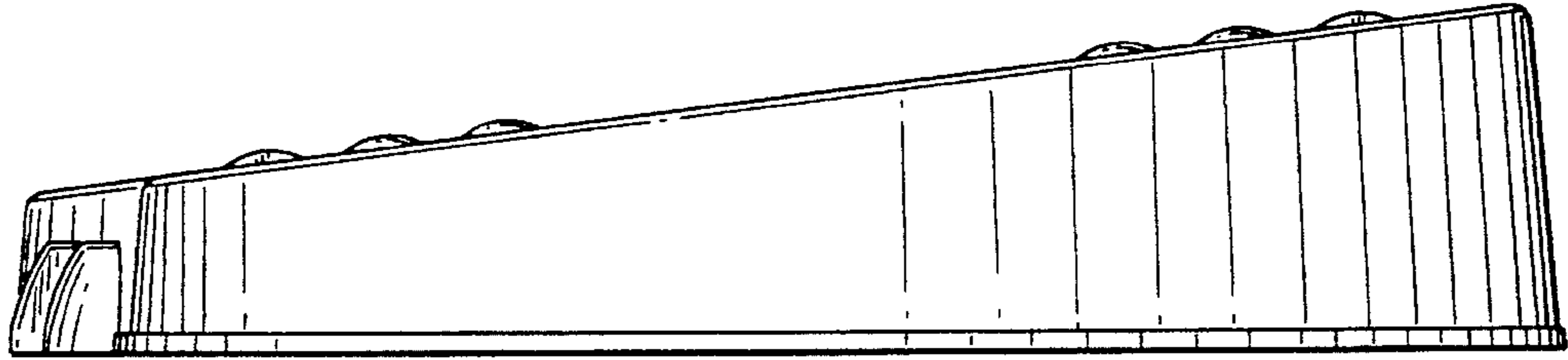


FIG. 10

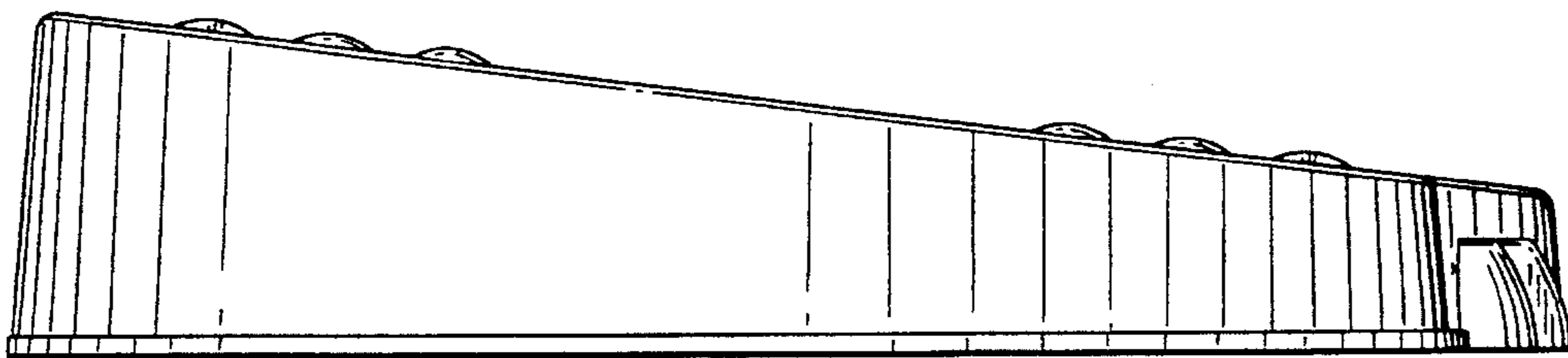
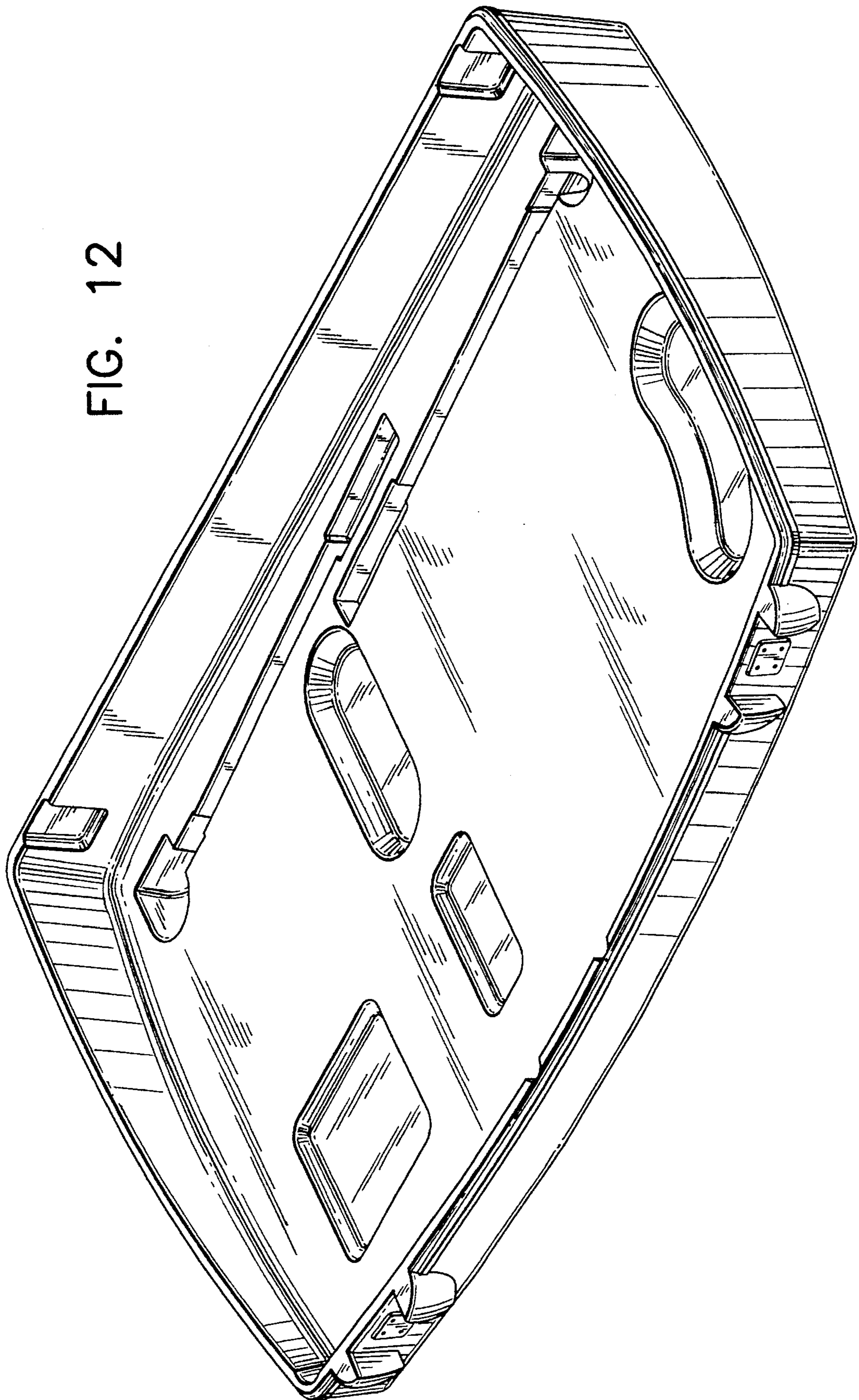


FIG. 11

FIG. 12



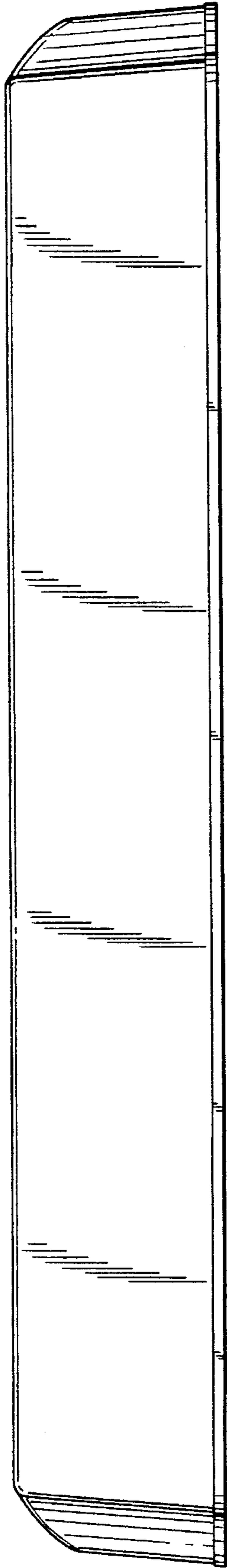


FIG. 13

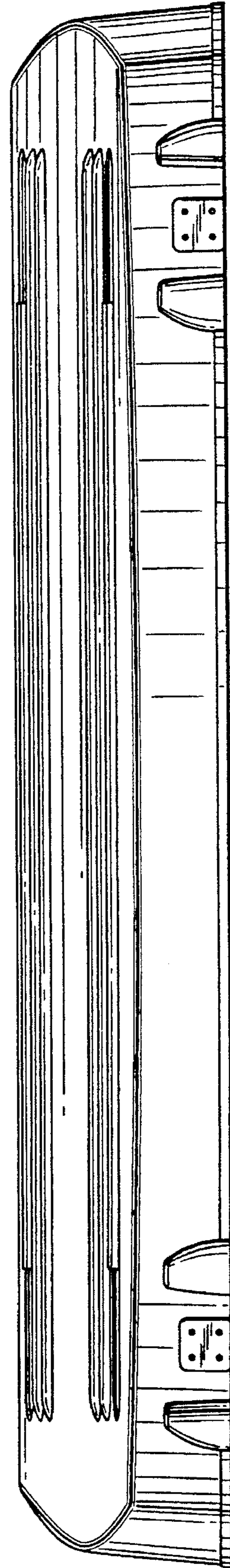


FIG. 14

FIG. 15

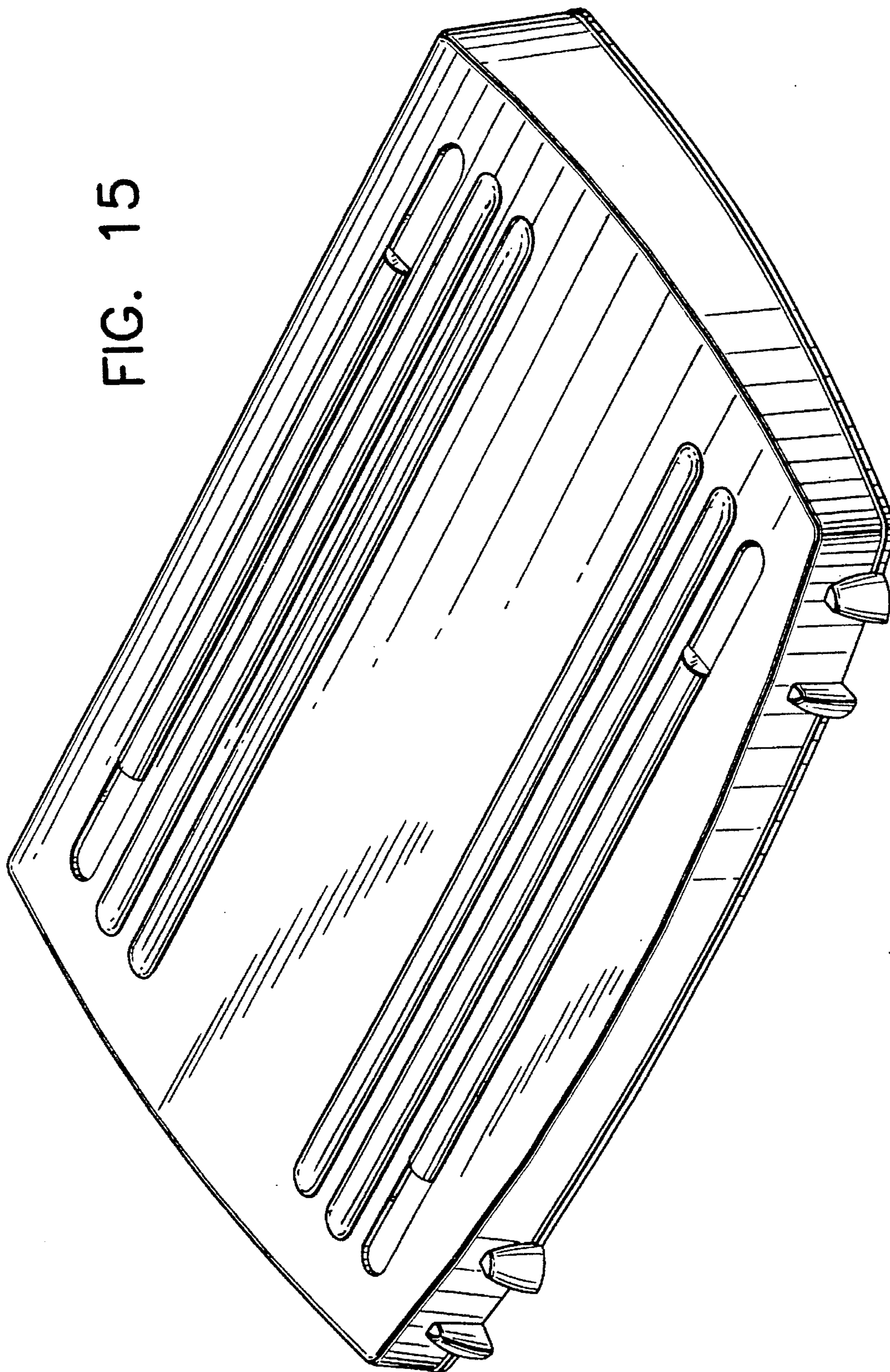
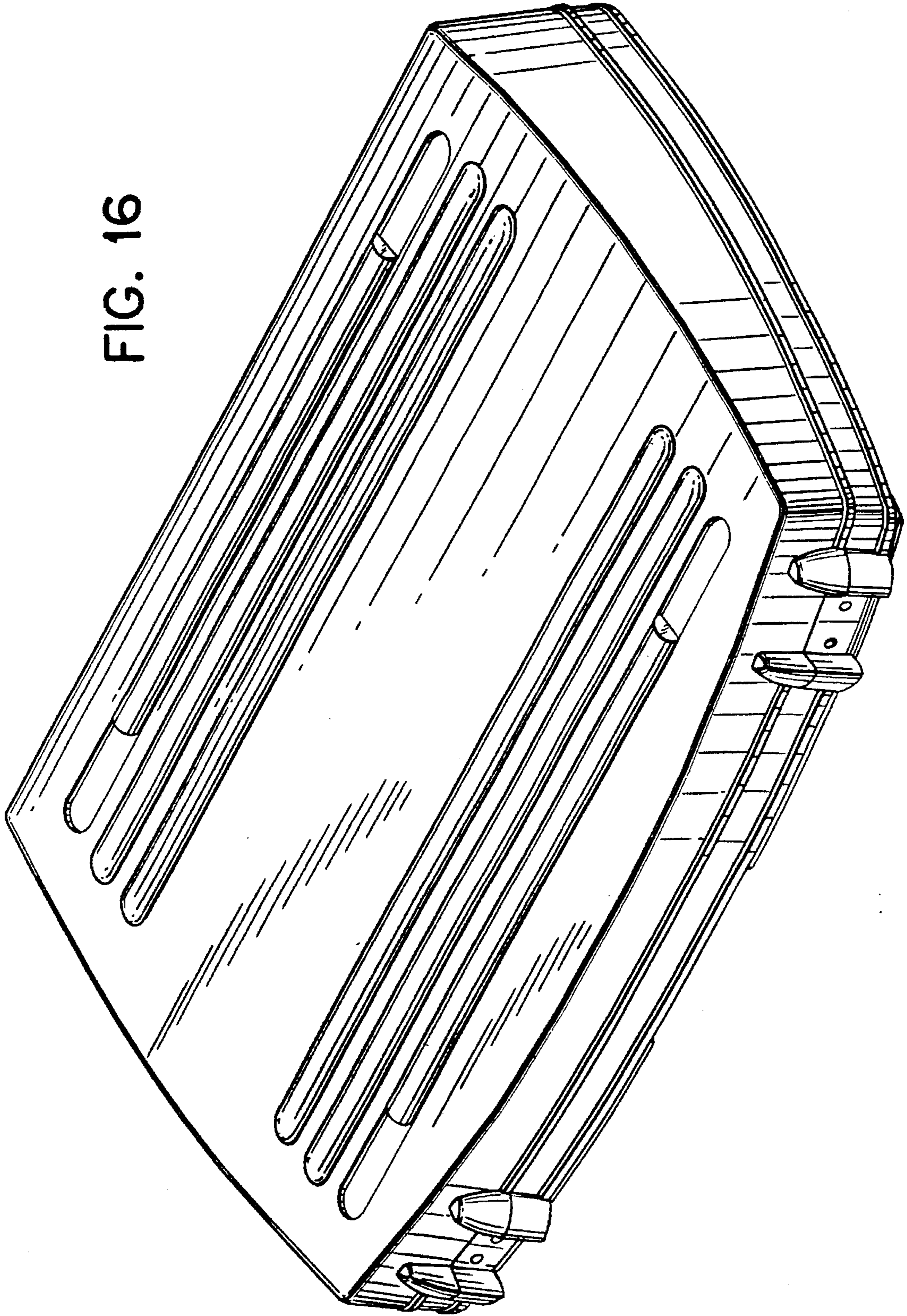


FIG. 16



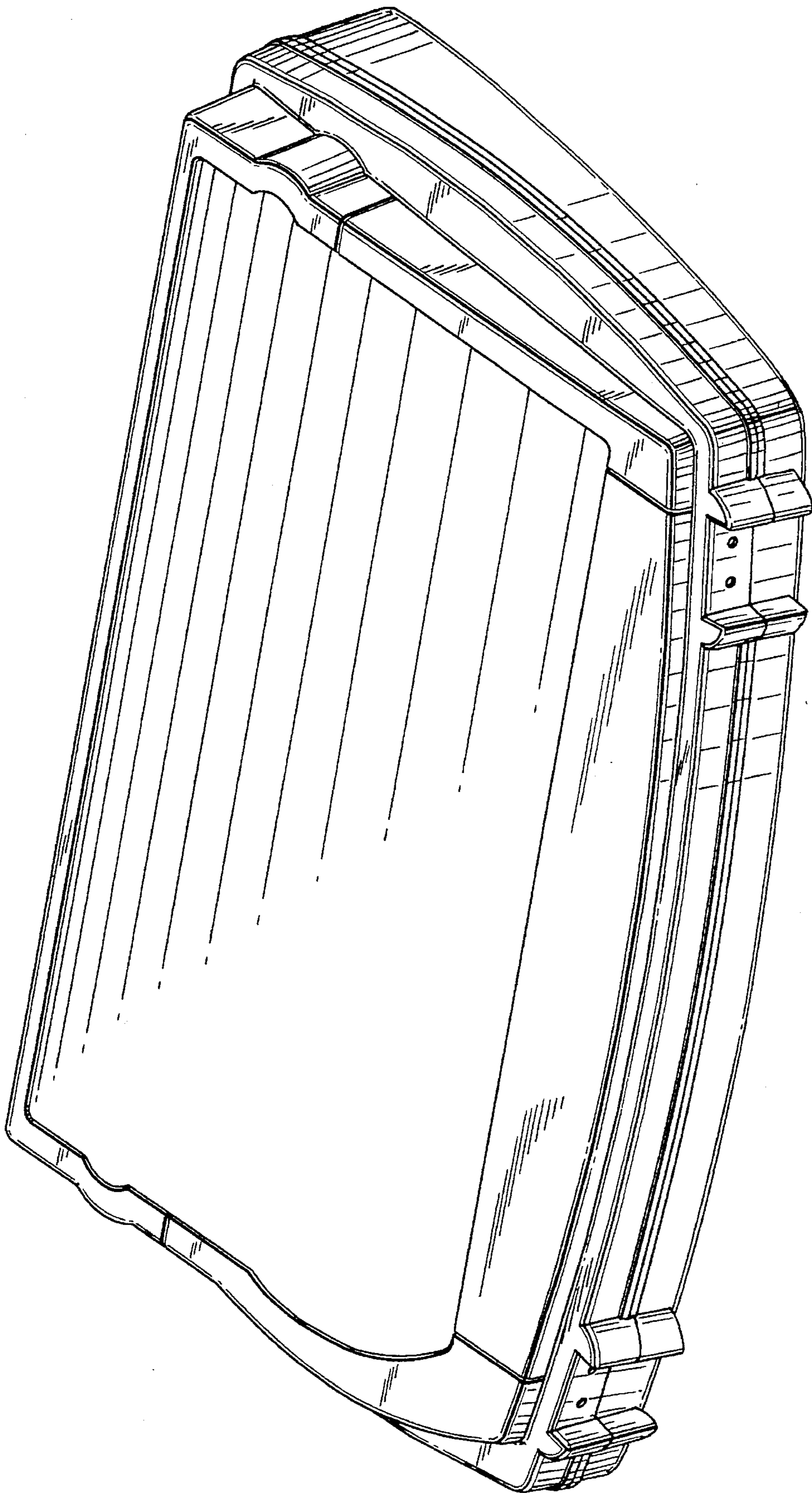


FIG. 17