



US00D377337S

United States Patent [19]
Schaeffer

[11] **Patent Number: Des. 377,337**

[45] **Date of Patent: **Jan. 14, 1997**

[54] **ACTUATOR FOR A PUSHBUTTON ELECTRICAL SWITCH**

[75] Inventor: **Maurice Schaeffer**, Strasbourg, France

[73] Assignee: **Baco Constructions Electriques - Anct. Baumgarten S.A.**, France

[**] Term: **14 Years**

[21] Appl. No.: **820,047**

[22] Filed: **Jan. 13, 1992**

[52] U.S. Cl. **D13/171**

[58] Field of Search D13/158, 171, D13/174; 200/293, 296, 302.1, 336, 341, 412, 417, 520

Reliant' 22 switch RM010 on p. H1 of *Augat Alcoswitch* catalog ©1990.

Arcoelectric pushbutton switch on p. 84 of *New Equipment Digest* Oct. 1991.

Baco Catalogue for Control and Signalling gear, including only pages which show various switch designs, including front and back cover, and pages 1, 3, 6, 7, 9, 10, 11, 12, 15, 16, 18, 20, 22-31, 36-42, 49, 55, 56 and 64, Apr. 1986.

Primary Examiner—Joel Sincavage
Attorney, Agent, or Firm—Larson and Taylor

[57] **CLAIM**

The ornamental design for an actuator for a pushbutton electrical switch, as shown and described.

DESCRIPTION

FIG. 1 is a perspective view of an actuator for a pushbutton electrical switch showing my new design;

FIG. 2 is a front elevational view of FIG. 1;

FIG. 3 is a side elevational view of FIG. 2;

FIG. 4 is a top plan view of FIG. 1; and,

FIG. 5 is a bottom plan view of FIG. 1.

The side opposite to FIG. 2 is identical to FIG. 2 and the side opposite from FIG. 3 is identical to FIG. 3.

[56] **References Cited**

U.S. PATENT DOCUMENTS

D. 305,022	12/1989	Hallgren et al.	D13/171
2,671,149	3/1954	Hubbell et al.	200/296 X
4,297,556	10/1981	Taylor	200/341 X
4,897,516	1/1990	Wakatsuki	200/302.2

FOREIGN PATENT DOCUMENTS

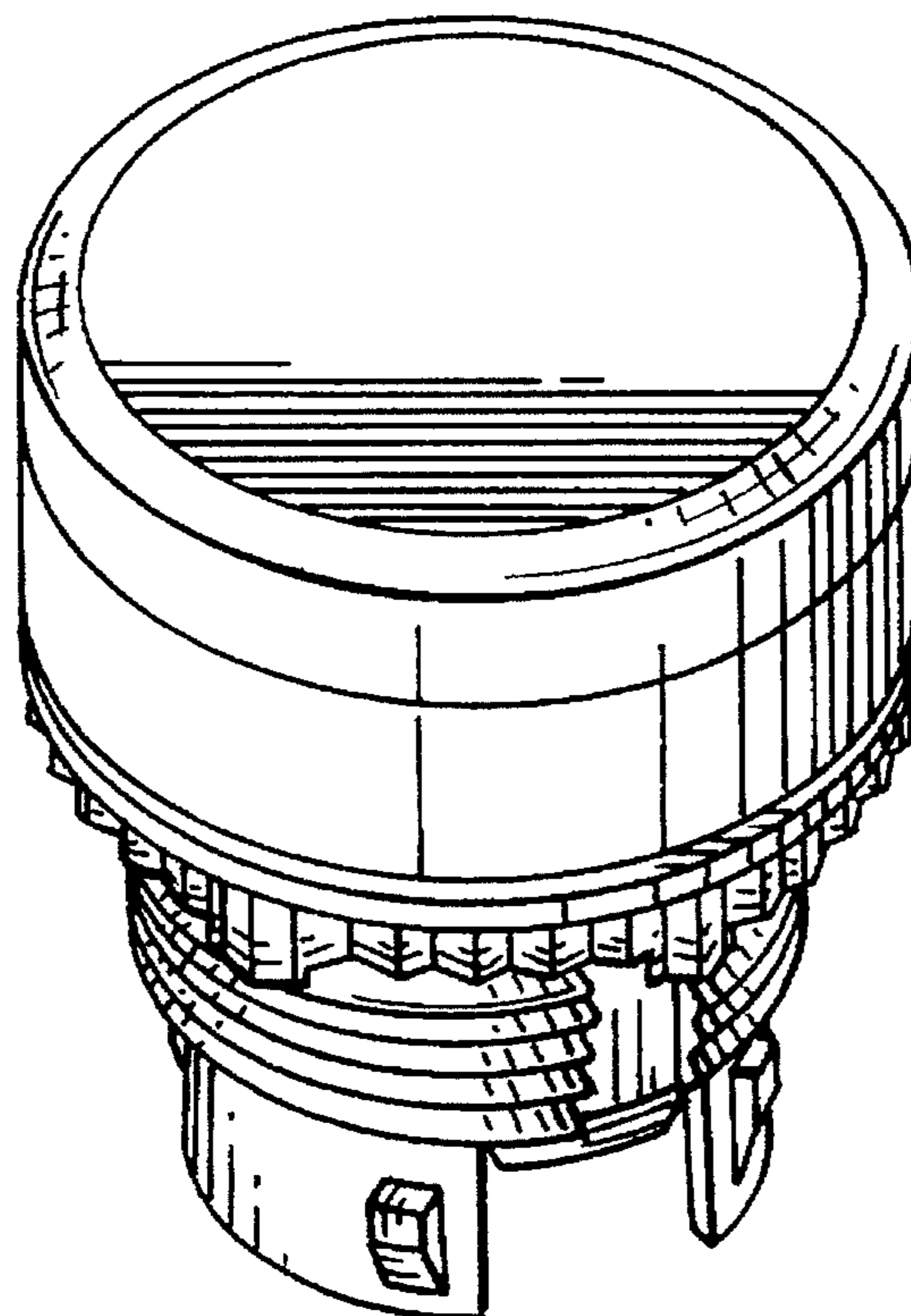
0360684	3/1990	European Pat. Off.	200/336
---------	--------	-------------------------	---------

OTHER PUBLICATIONS

Round Idec pushbutton switch on p. 598 of *Allied Electronics* catalog ©1990.

Pushbutton switch "B" p. 599 of *Allied Electronics* catalog ©1990.

1 Claim, 2 Drawing Sheets



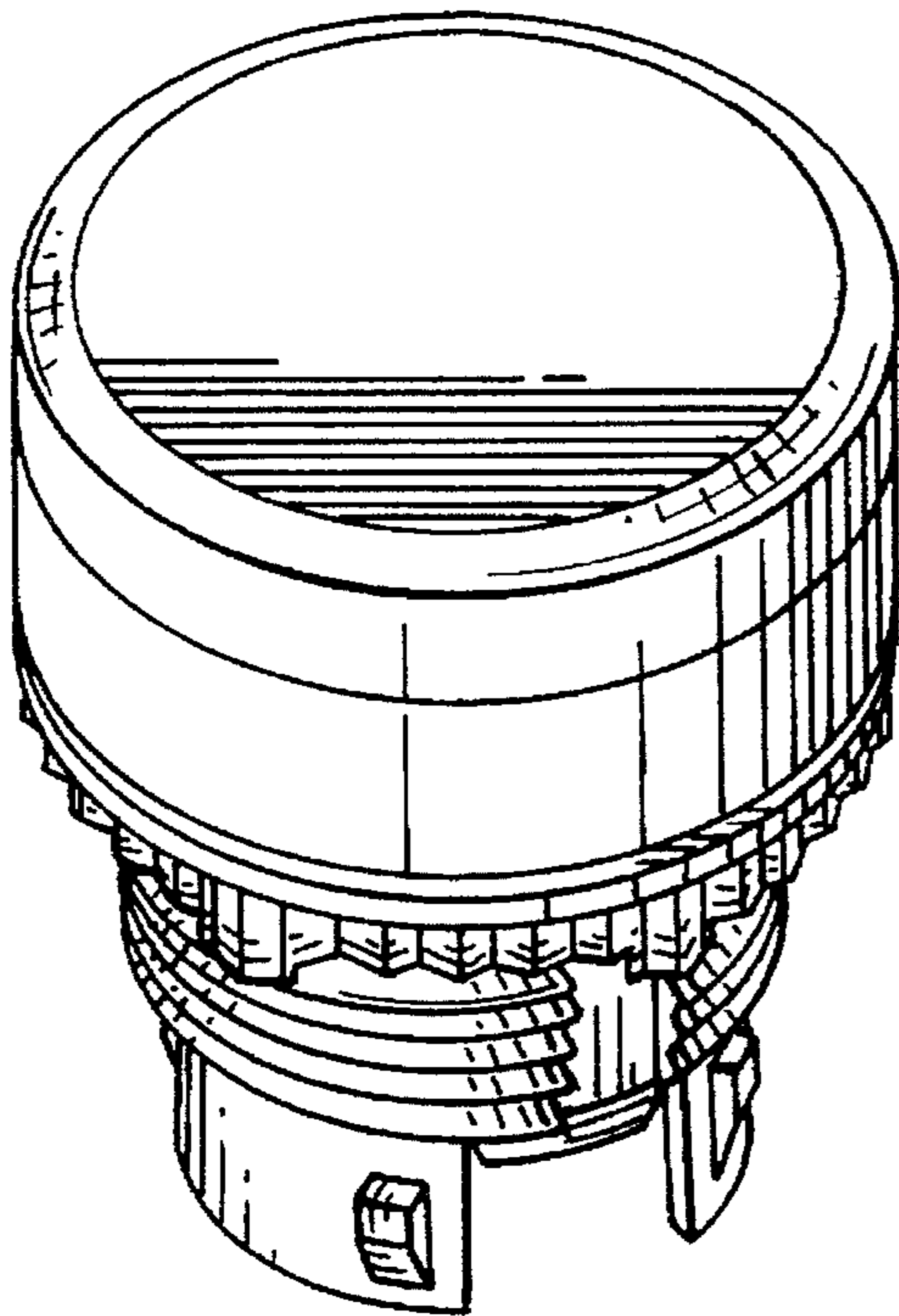


FIG. 1

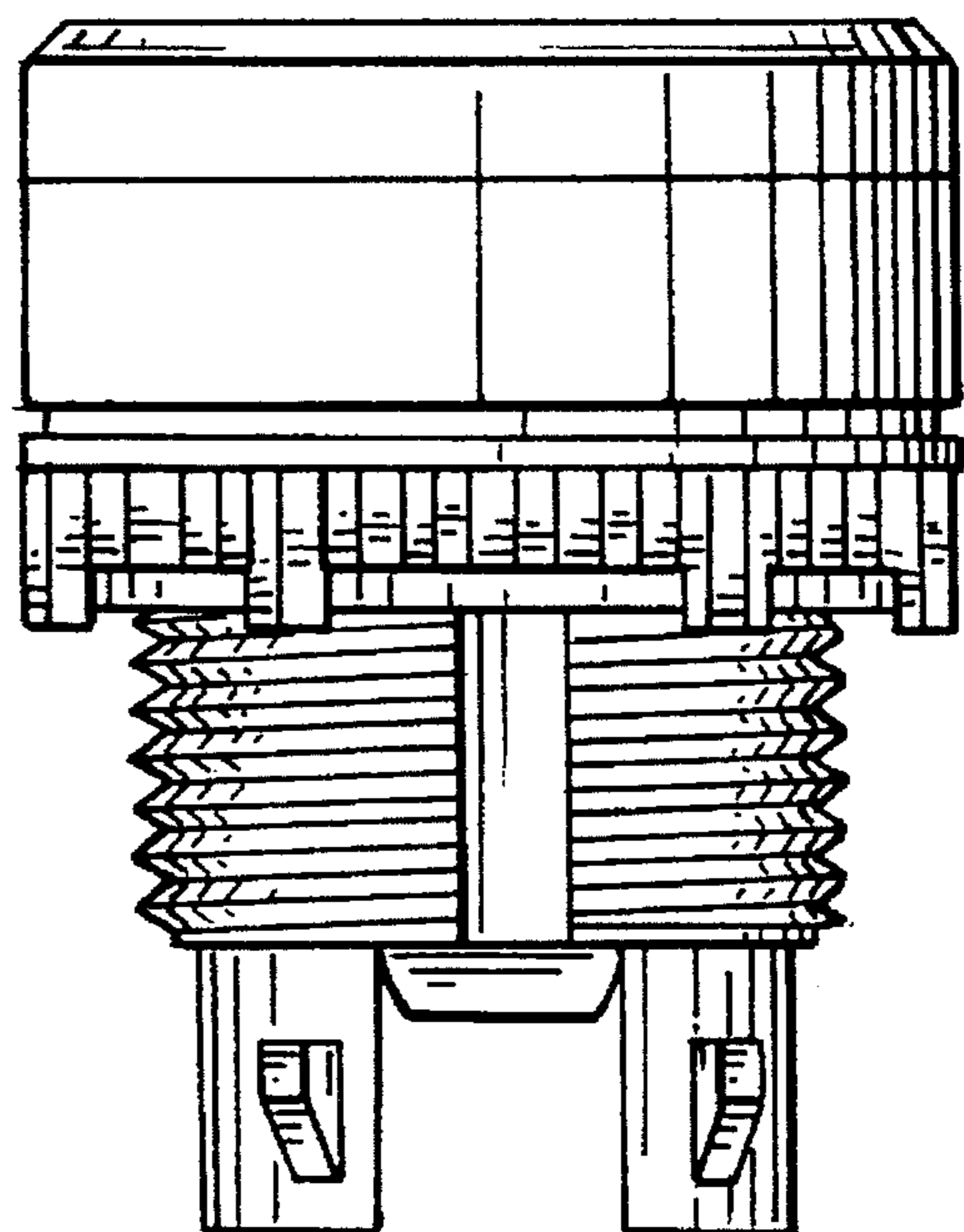


FIG. 2

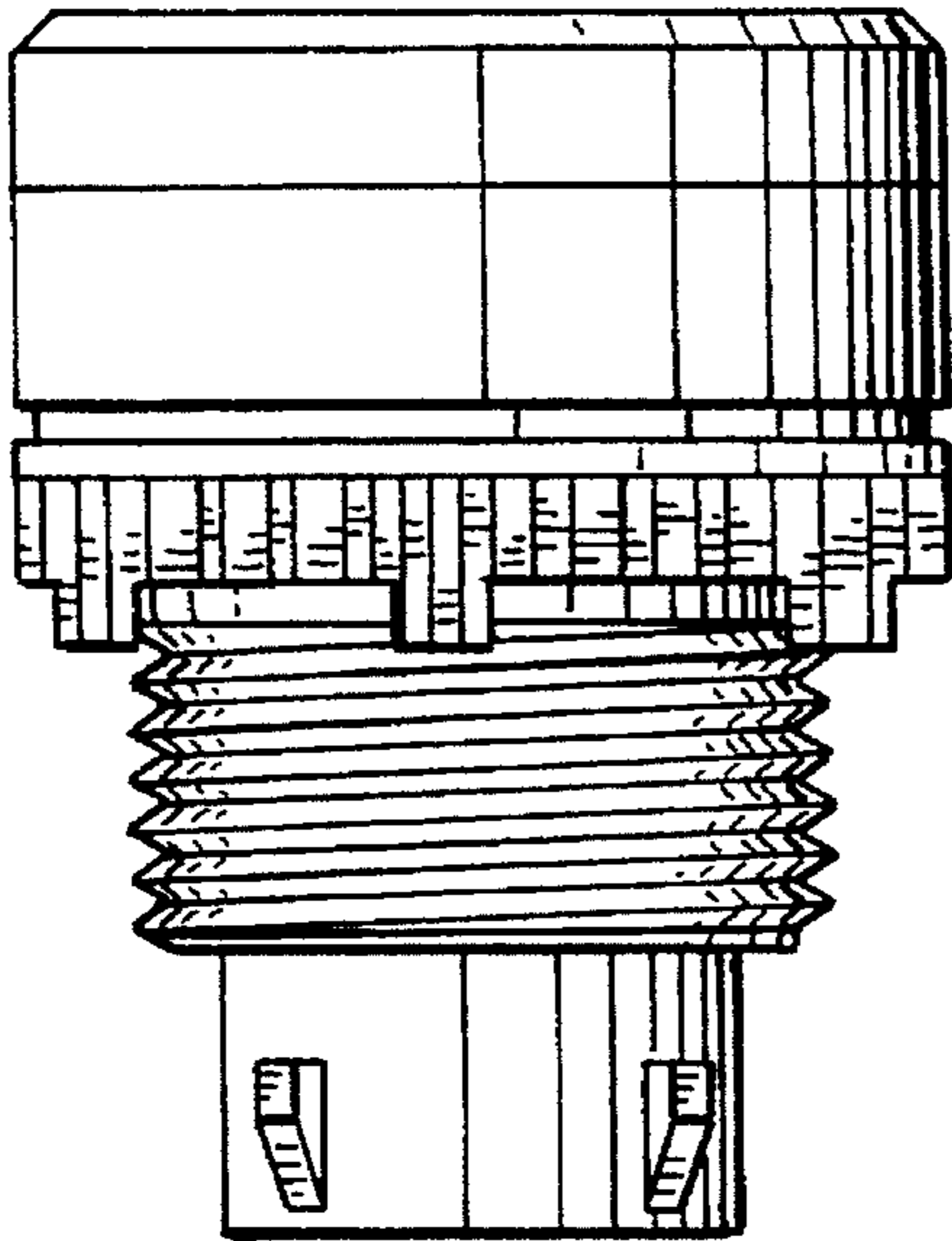


FIG. 3

FIG. 4

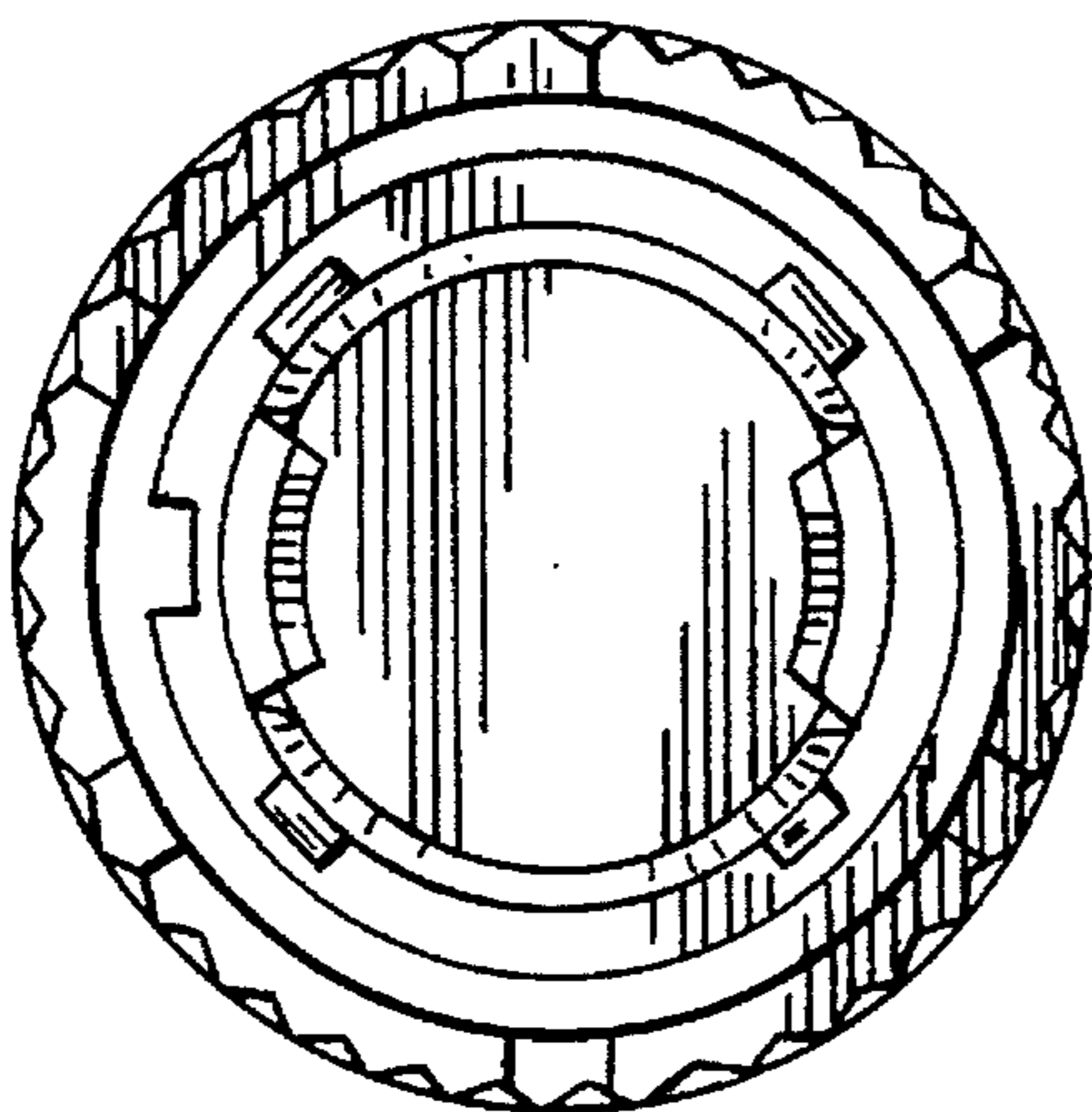
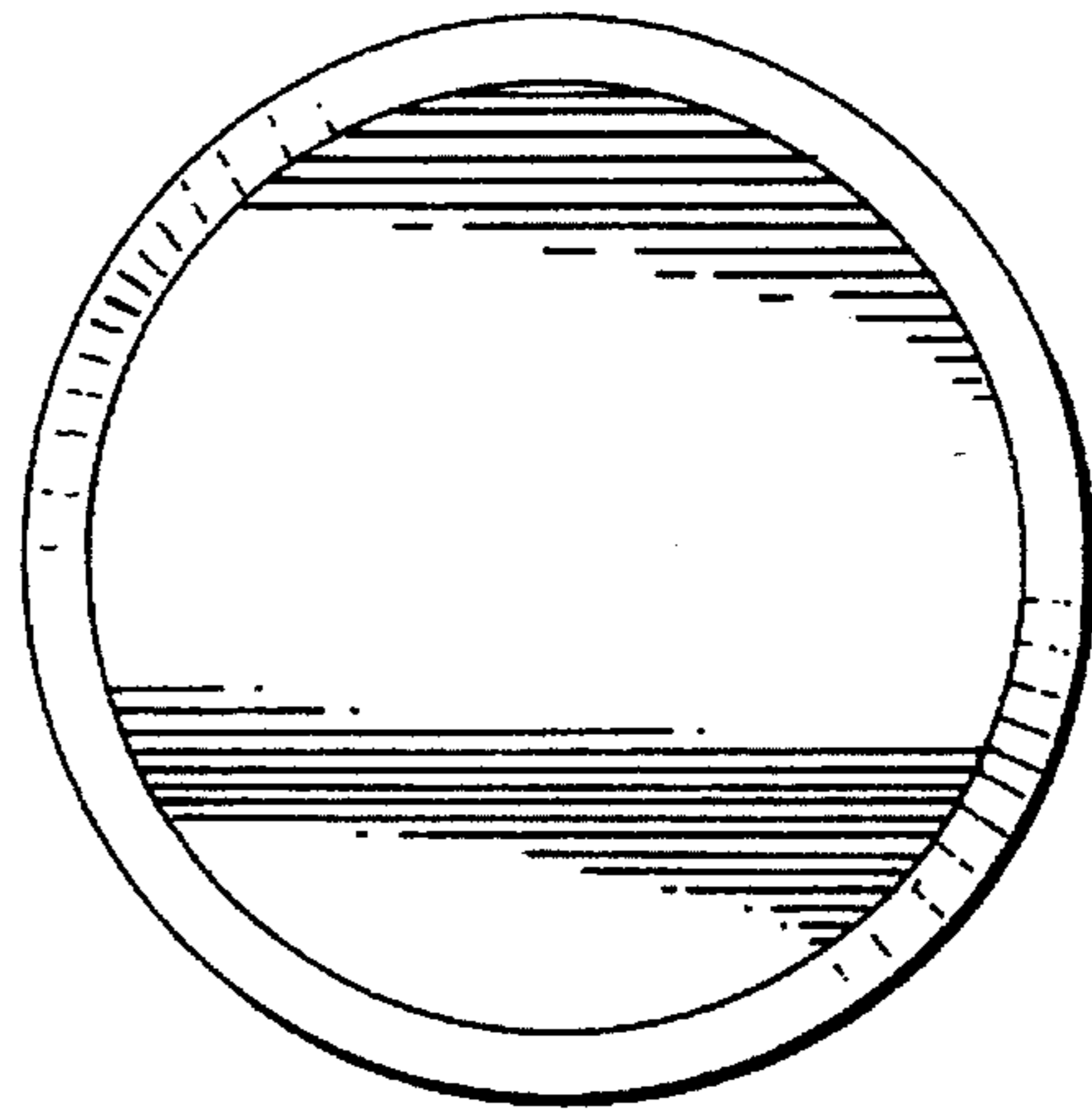


FIG. 5