



US00D377336S

# United States Patent [19]

[11] Patent Number: **Des. 377,336**

Tan et al.

[45] Date of Patent: **\*\*Jan. 14, 1997**

[54] **STACKED CONNECTOR**

[75] Inventors: **Haw-Chan Tan; Frank C. Ma**, both of Diamond Bar, Calif.

[73] Assignee: **Hon Hai Precision Ind. Co., Ltd.**, Taiwan

[\*\*] Term: **14 Years**

[21] Appl. No.: **47,606**

[22] Filed: **Dec. 8, 1995**

[52] U.S. Cl. .... **D13/147**

[58] Field of Search ..... D13/147; 439/62, 439/76, 78, 82, 83, 607, 608, 609, 610, 638, 650

[56] **References Cited**

**U.S. PATENT DOCUMENTS**

4,702,707 10/1987 Hillbish ..... 439/80

|           |         |                            |           |
|-----------|---------|----------------------------|-----------|
| 5,080,609 | 1/1992  | Fabian et al. ....         | 439/540   |
| 5,085,590 | 2/1992  | Galloway .....             | 439/607 X |
| 5,197,531 | 12/1992 | Broschard, III et al. .... | 439/607 X |
| 5,407,366 | 4/1995  | Briones et al. ....        | 439/620 X |

*Primary Examiner*—Joel Sincavage

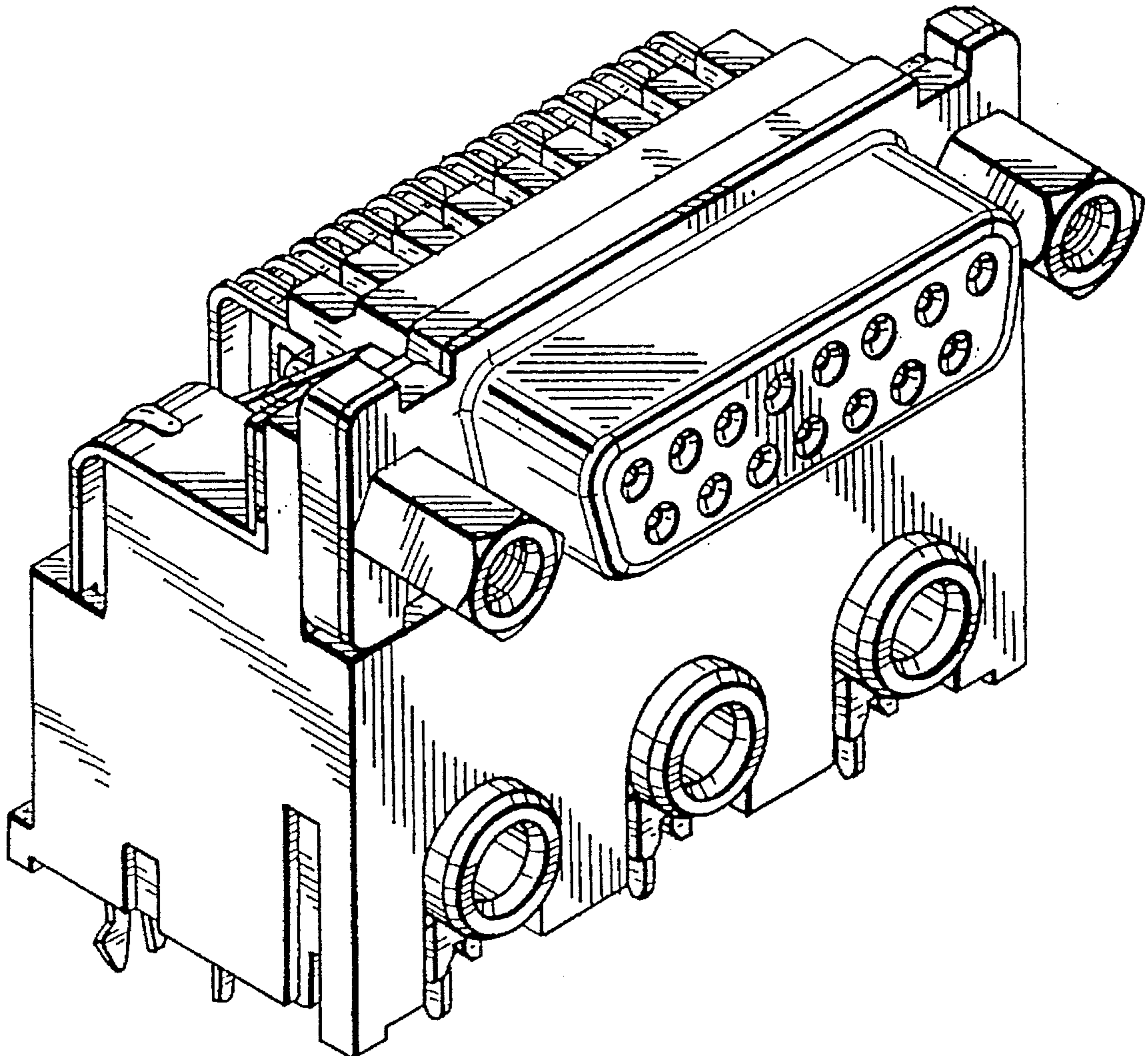
[57] **CLAIM**

The ornamental design for a stacked connector, as shown.

**DESCRIPTION**

FIG. 1 is a perspective view of the stacked connector showing our design;  
 FIG. 2 is a front elevational view thereof;  
 FIG. 3 is a rear elevational view thereof;  
 FIG. 4 is a left view thereof;  
 FIG. 5 is a right view thereof;  
 FIG. 6 is a top plan view thereof; and,  
 FIG. 7 is a bottom plan view thereof.

**1 Claim, 5 Drawing Sheets**



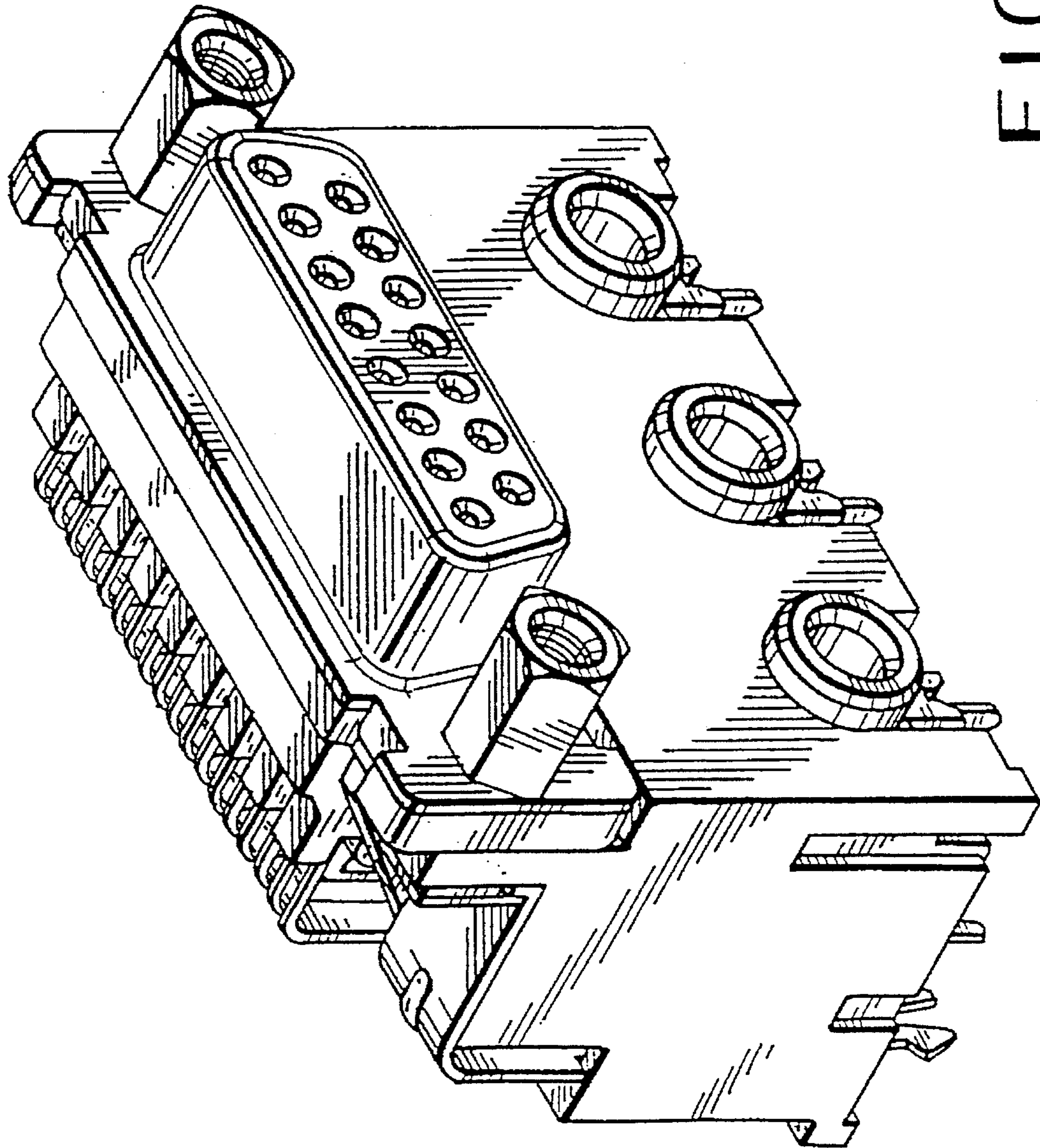


FIG.1

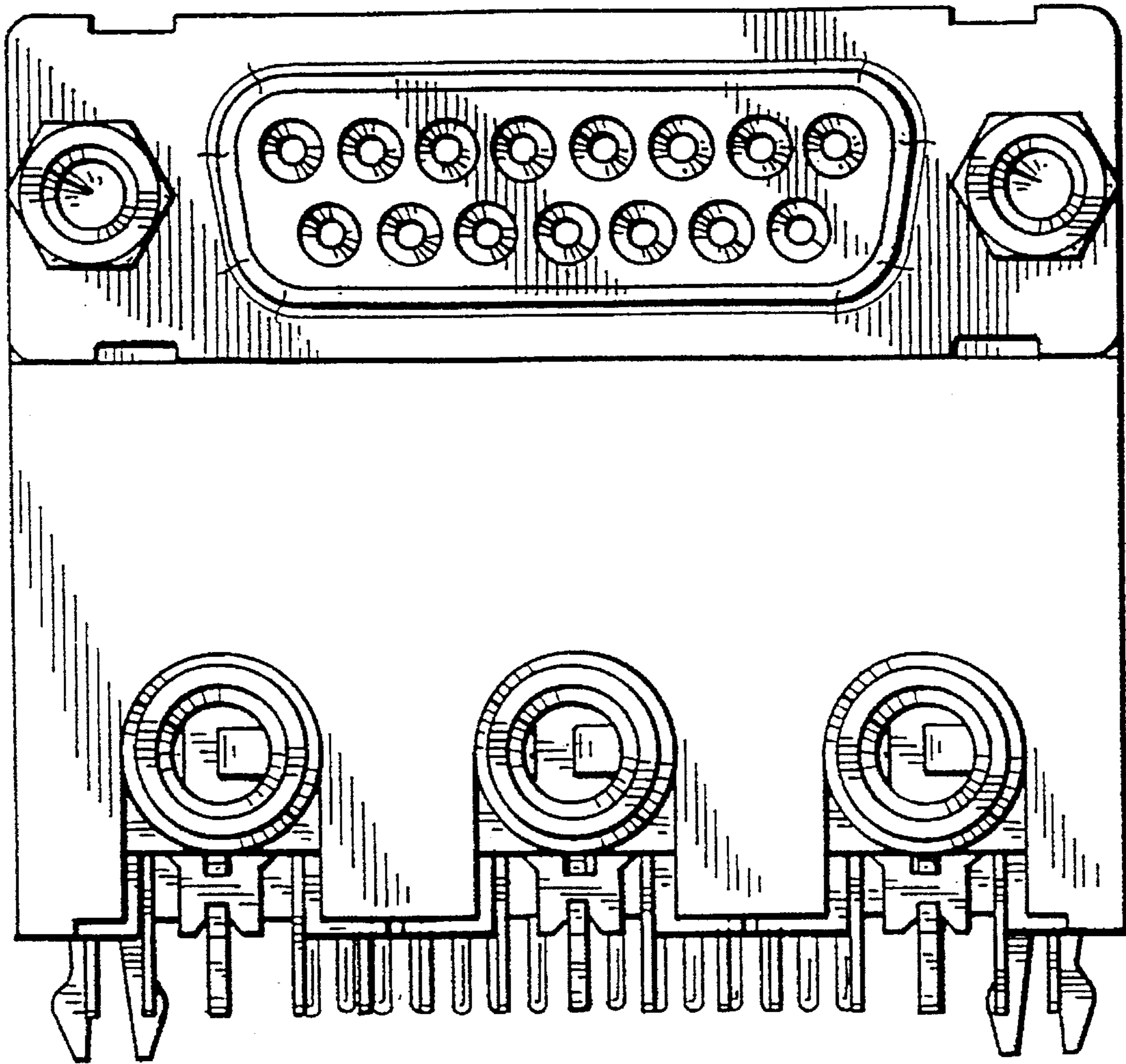


FIG. 2

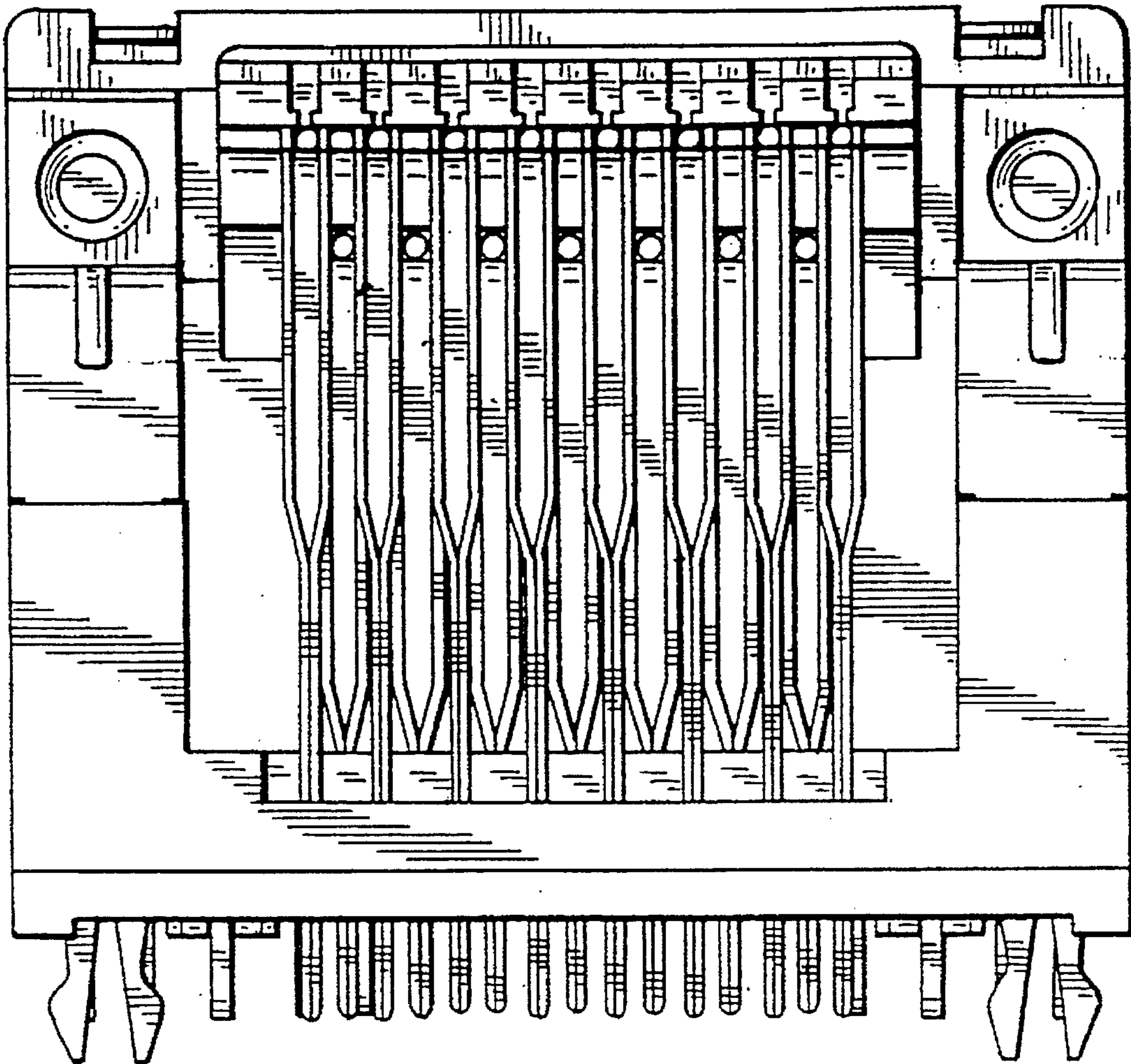


FIG. 3

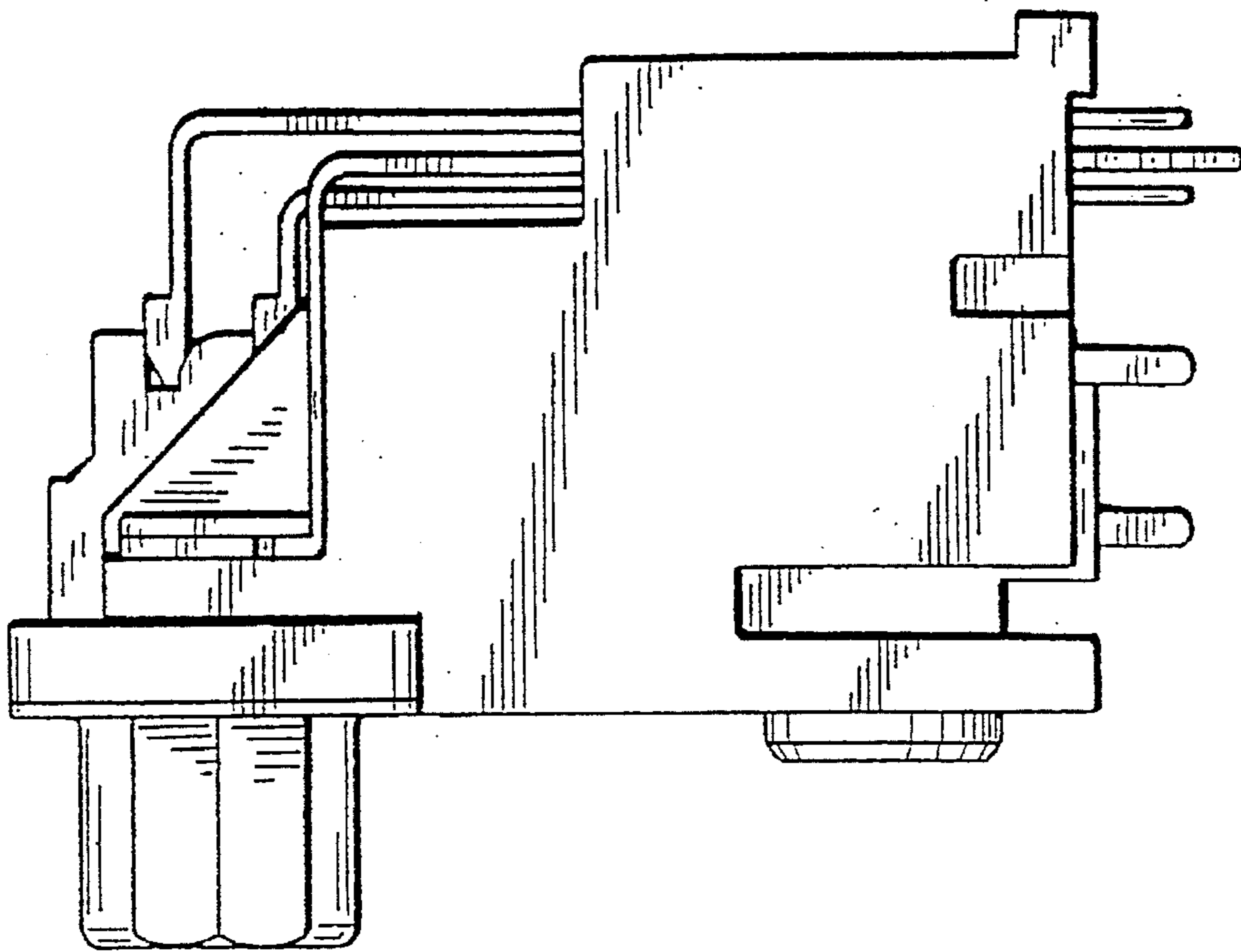


FIG. 5

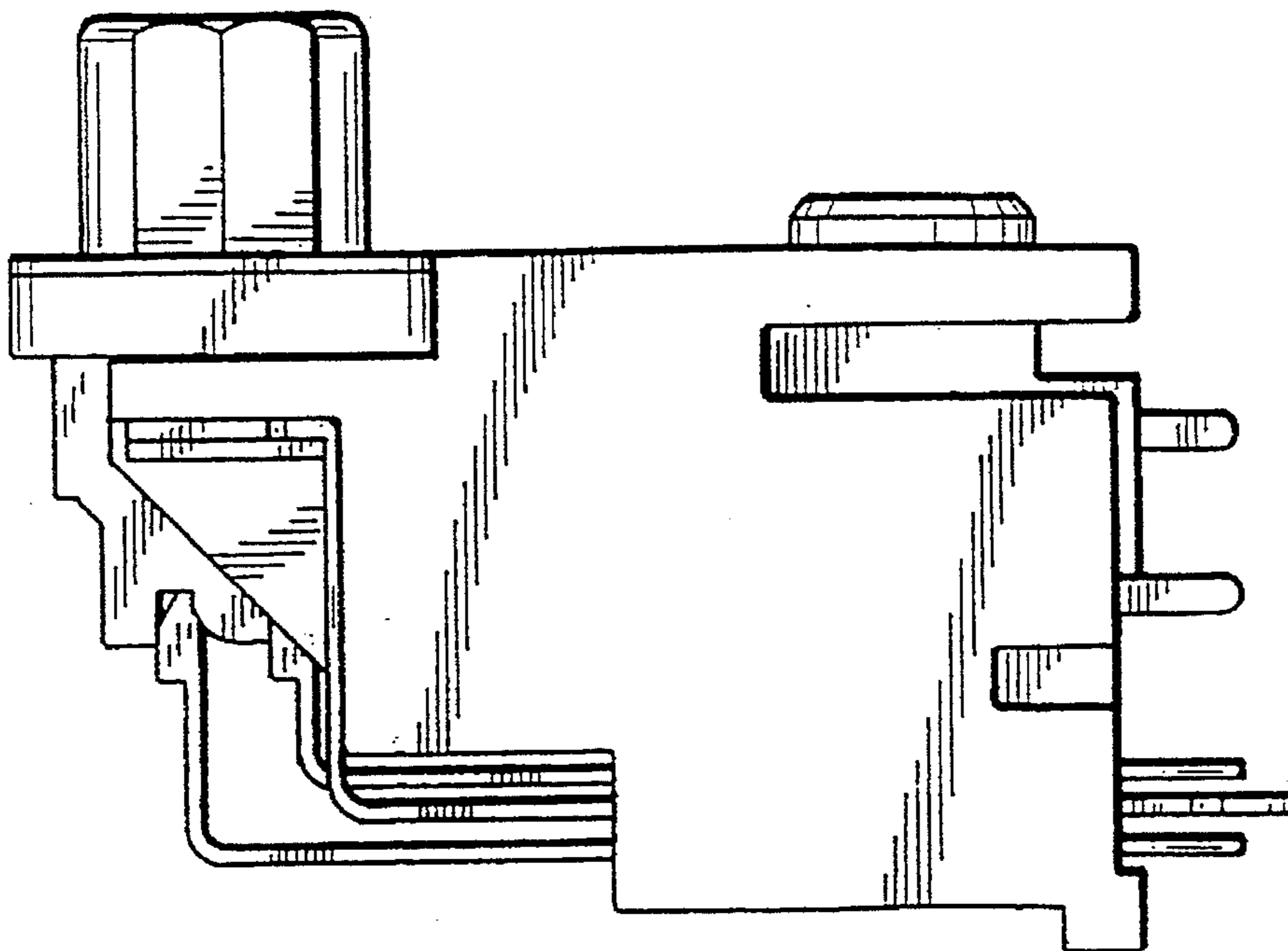


FIG. 4

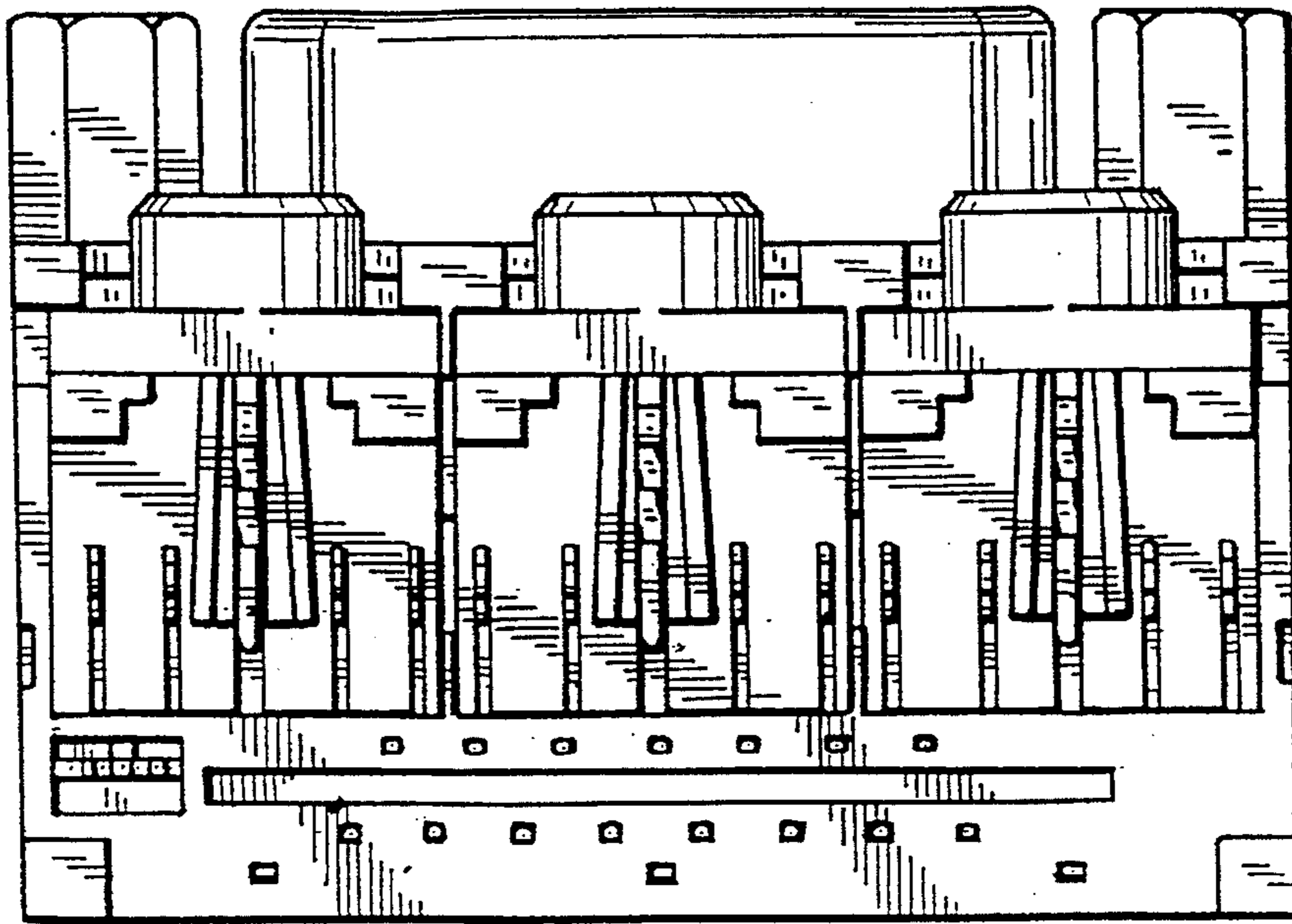


FIG. 7

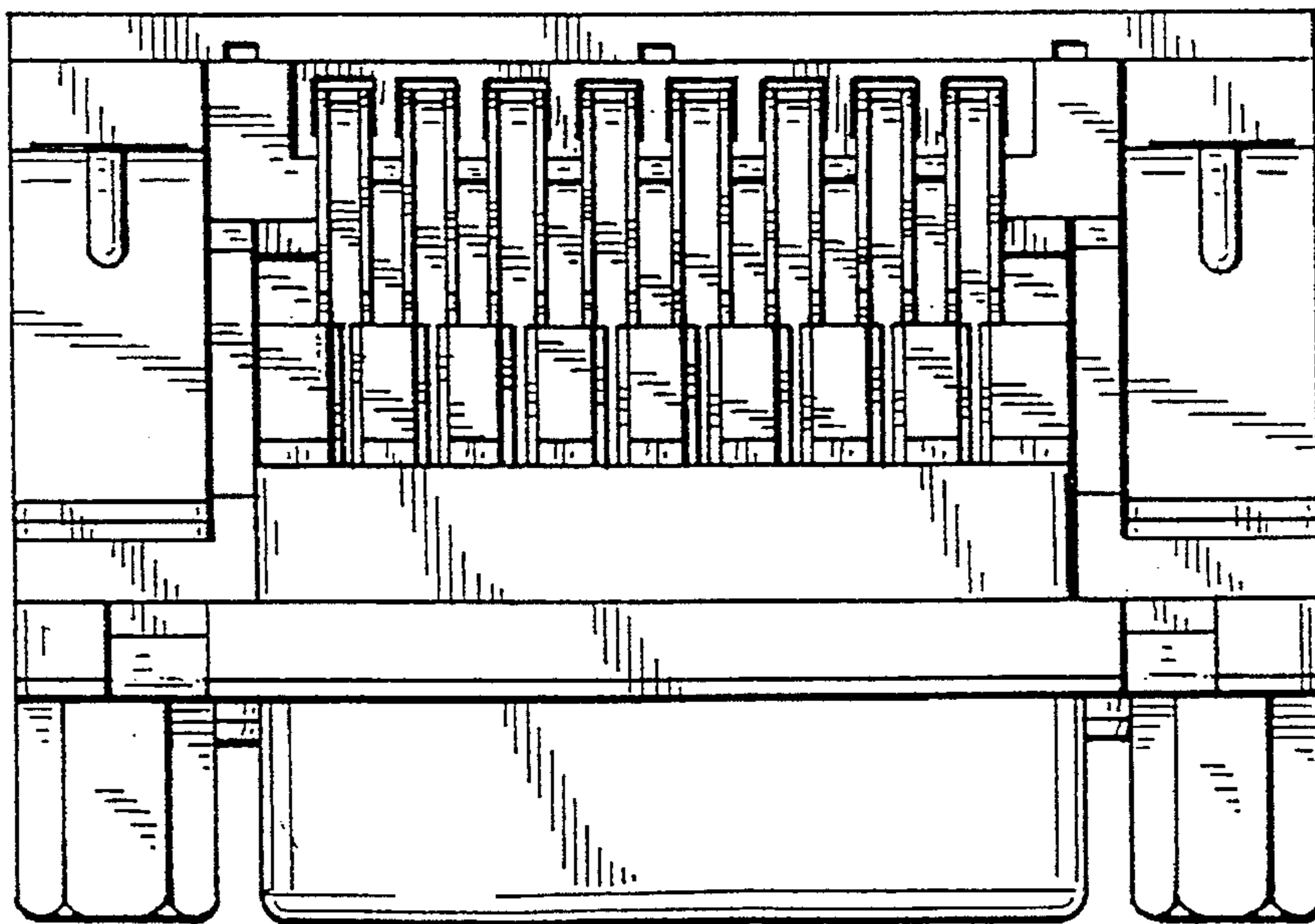


FIG. 6