



US00D377334S

# United States Patent [19]

Weiler

[11] Patent Number: **Des. 377,334**

[45] Date of Patent: **\*\*Jan. 14, 1997**

[54] **BICYCLE CARRIER**

5,469,997 11/1995 Carlson ..... 224/535

[76] Inventor: **Raywood C. Weiler**, 14149 Calle Contesa, Victorville, Calif. 92392

*Primary Examiner*—Melody N. Brown  
*Attorney, Agent, or Firm*—Marshall, O'Toole, Gerstein, Murray & Borun

[\*\*] Term: **14 Years**

[57] **CLAIM**

[21] Appl. No.: **42,985**

The ornamental design for a bicycle carrier, as shown and described.

[22] Filed: **Aug. 22, 1995**

[52] U.S. Cl. .... **D12/408**

**DESCRIPTION**

[58] Field of Search ..... D12/408; 224/402, 224/500, 510, 521, 537, 535; 296/26

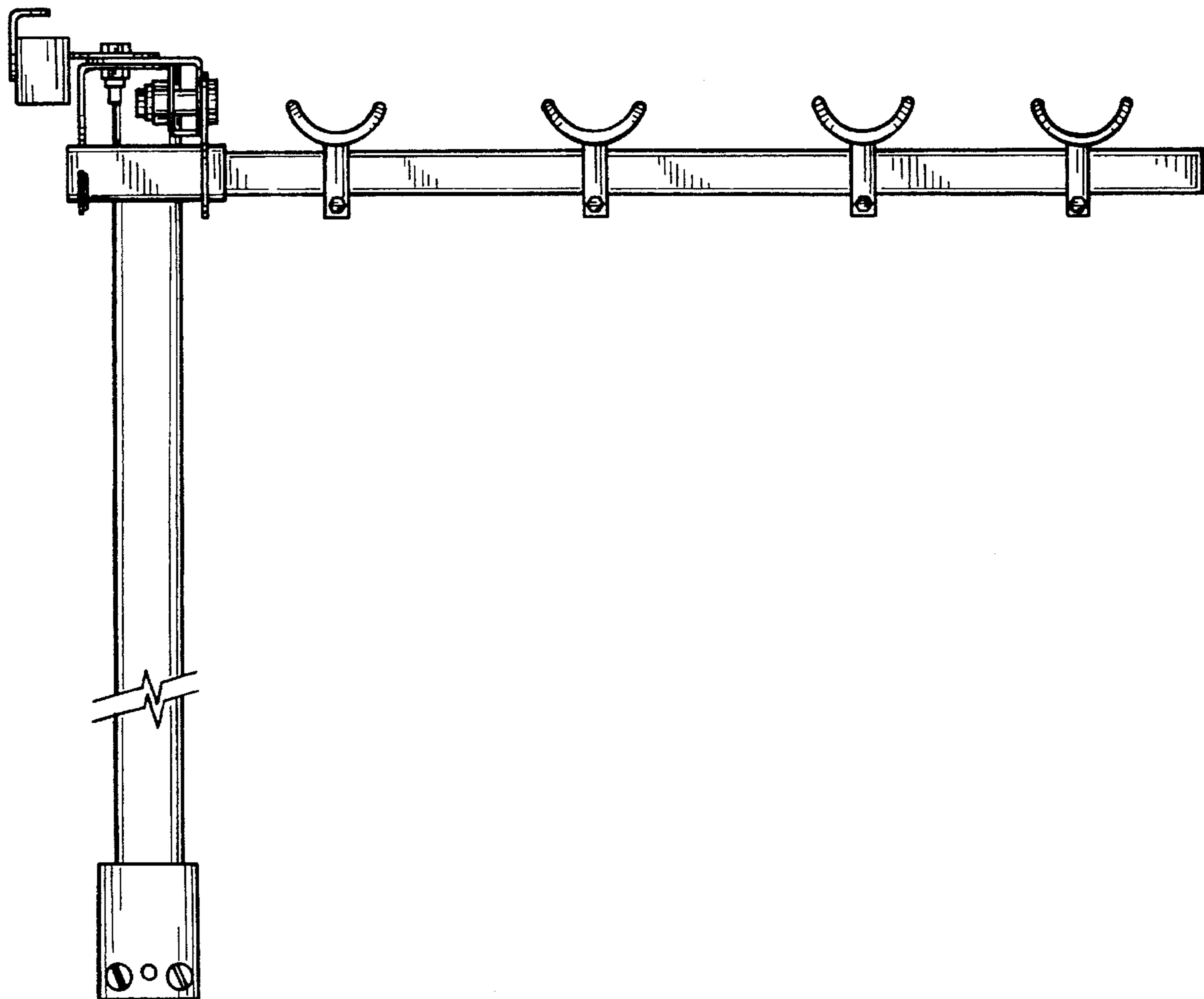
FIG. 1 is a front elevational view of a bicycle carrier showing my new design;  
FIG. 2 is a left side elevational view thereof, the right side elevational view being a mirror image thereof;  
FIG. 3 is a top plan view thereof;  
FIG. 4 is a bottom plan view thereof; and,  
FIG. 5 is a rear elevational view thereof.  
The bar shown in FIGS. 1, 2 and 5 is shown broken away to indicate indeterminate length.

[56] **References Cited**

**U.S. PATENT DOCUMENTS**

D. 337,087	7/1993	Peterman et al. ....	D12/408
4,676,414	6/1987	Deguevara .....	224/924
5,169,042	12/1992	Ching .....	224/335
5,303,857	4/1994	Hewson .....	224/924
5,372,287	12/1994	Deguevara .....	224/320
5,443,189	8/1995	Hirschfeld .....	224/924
5,458,389	10/1995	Young .....	224/500

**1 Claim, 5 Drawing Sheets**



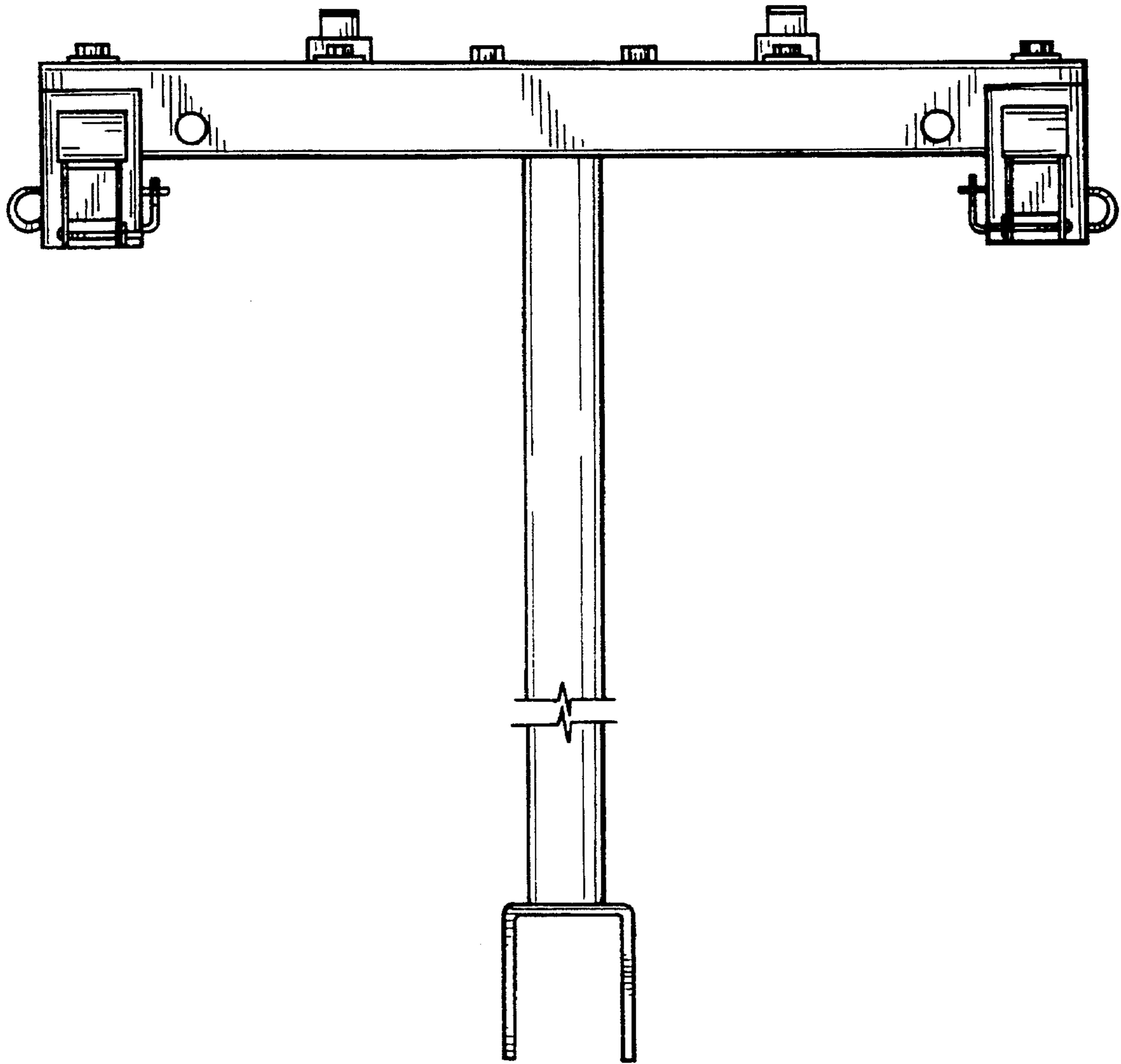


FIGURE 1

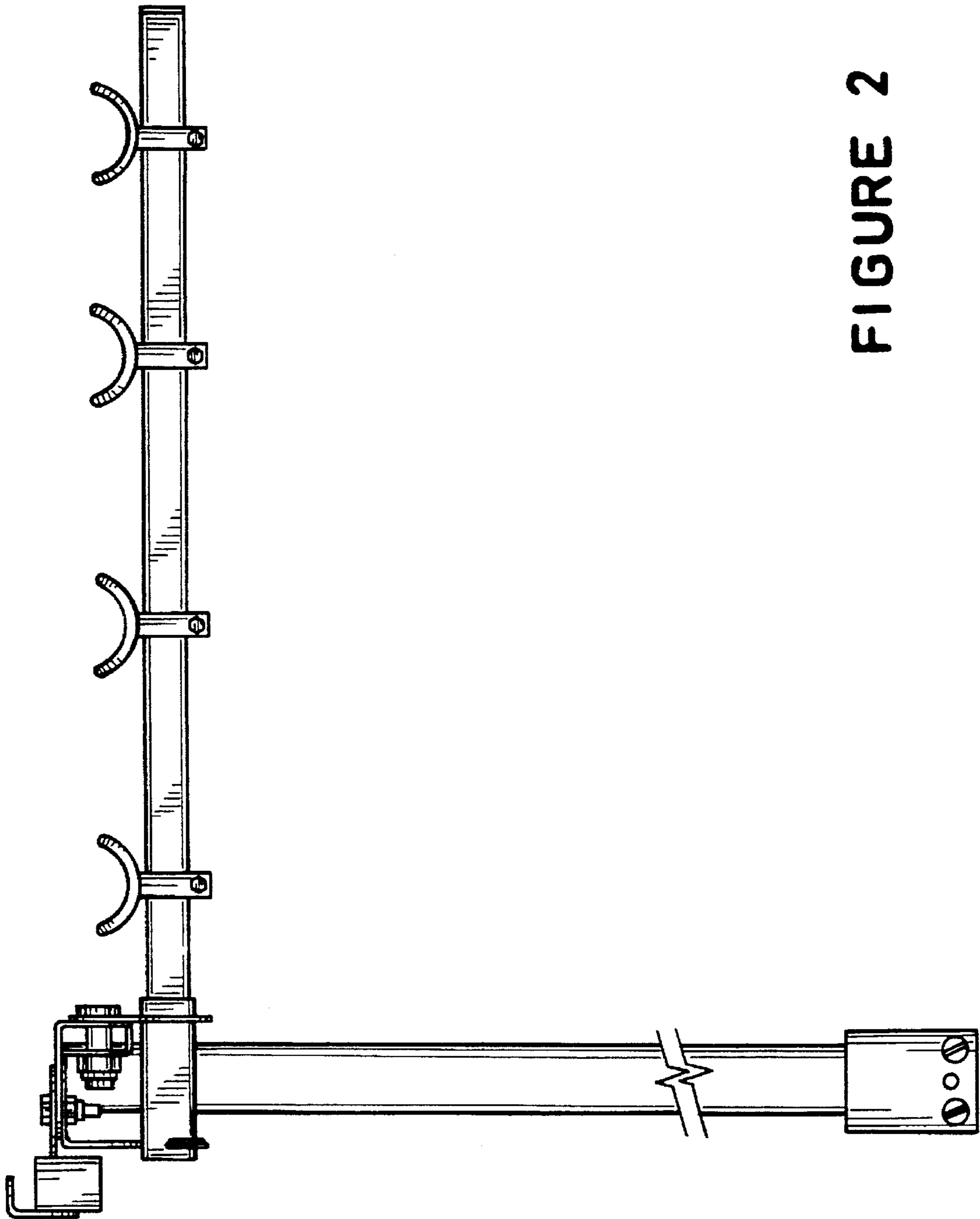


FIGURE 2

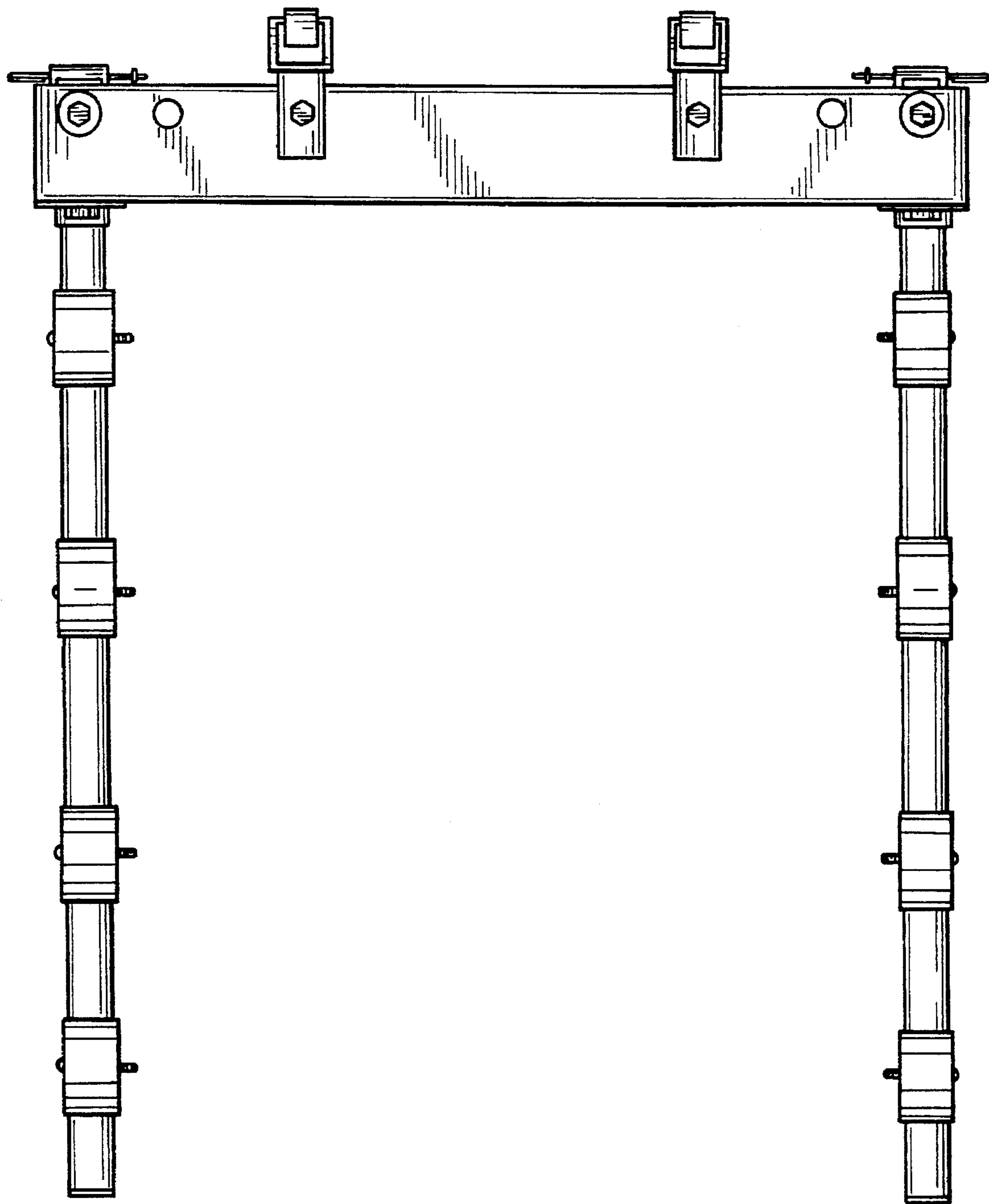


FIGURE 3

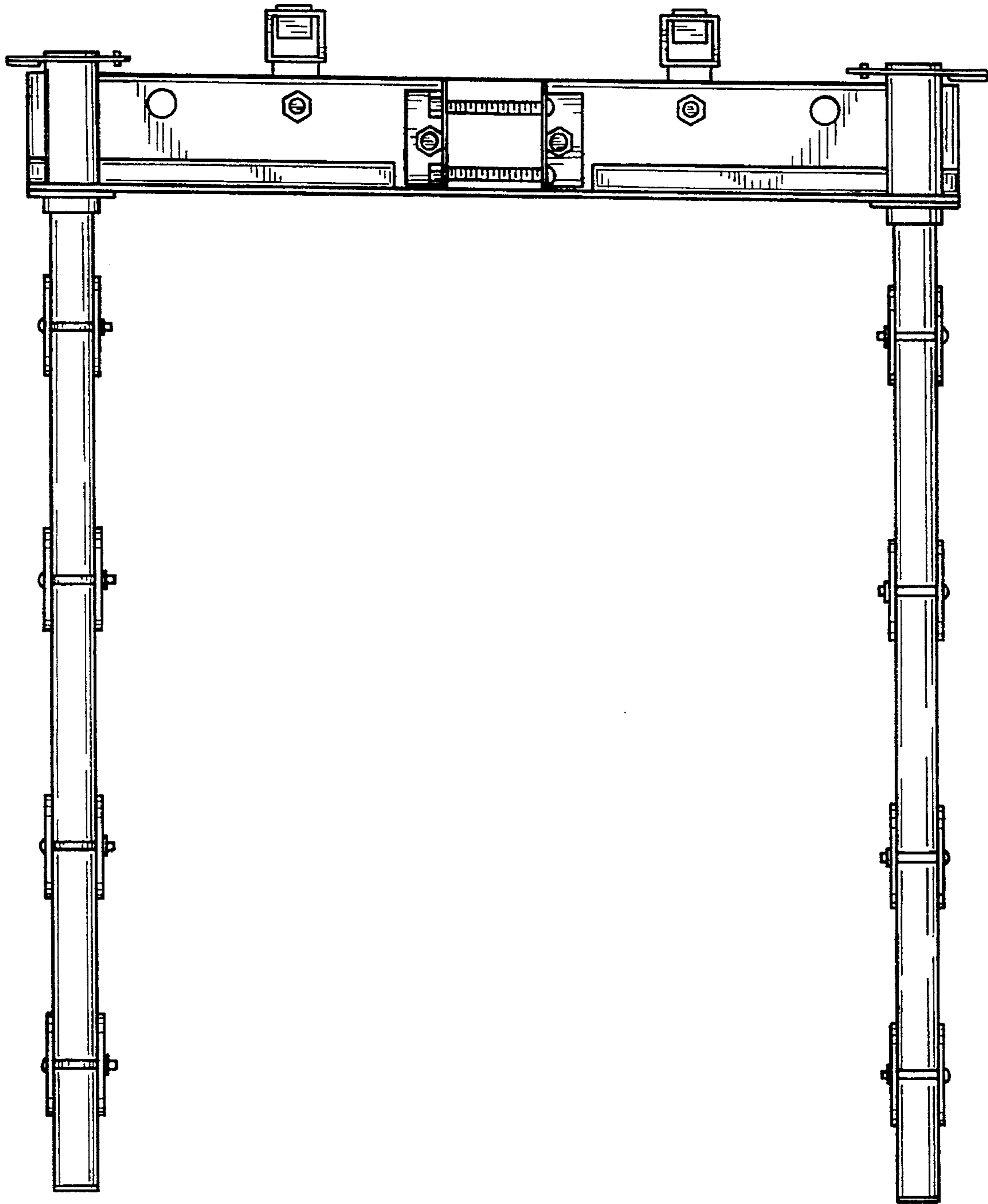


FIGURE 4

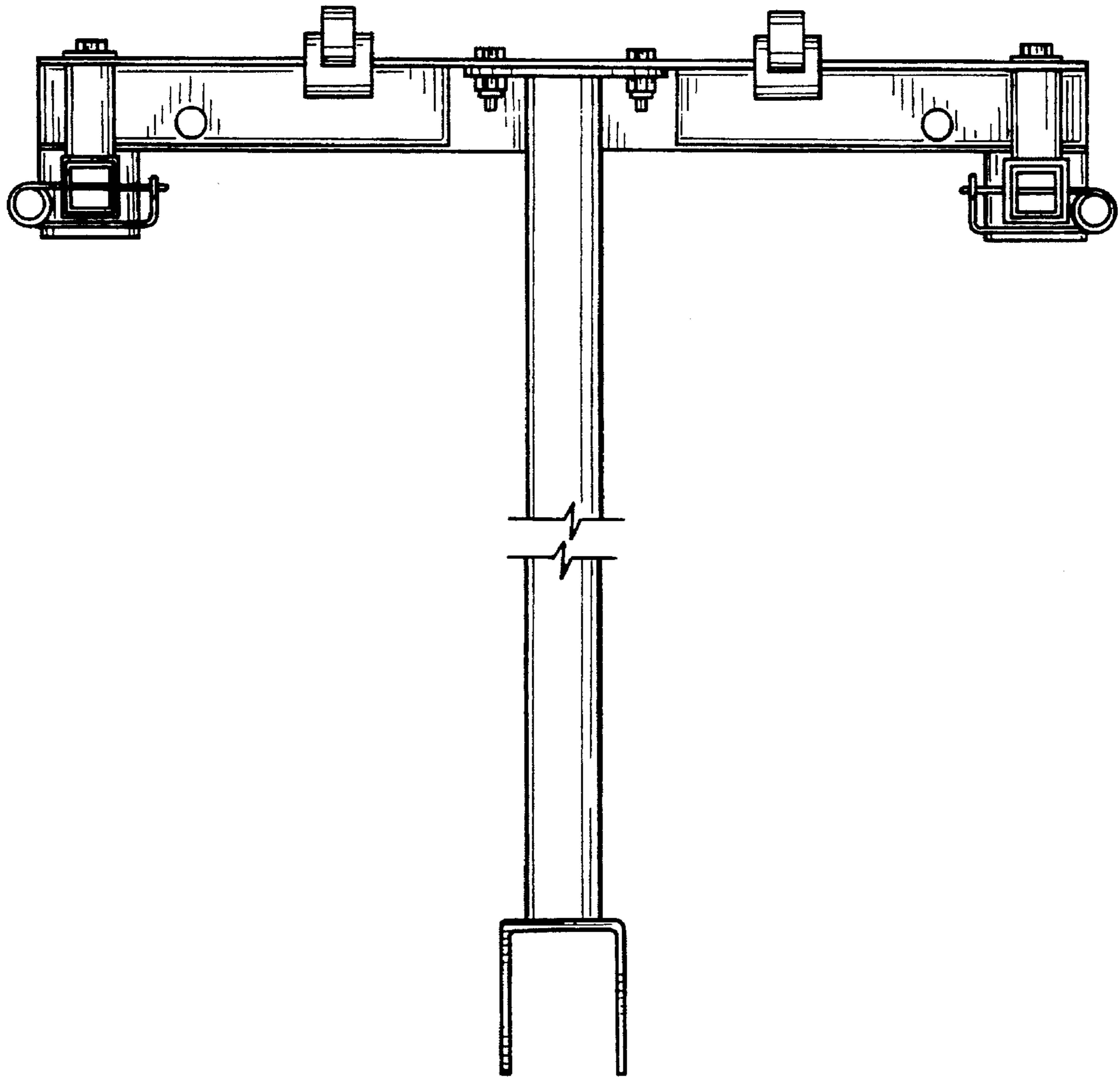


FIGURE 5