



US00D377331S

# United States Patent [19]

Murkett

[11] Patent Number: **Des. 377,331**

[45] Date of Patent: **\*\*Jan. 14, 1997**

[54] **SET OF COMPONENTS FOR A MOTOR VEHICLE COMPRISING A PAIR OF FENDER PANELS AND A SPOILER**

*Primary Examiner*—Freda Nunn  
*Attorney, Agent, or Firm*—Evenson, McKeown, Edwards & Lenahan, P.L.L.C.

[75] Inventor: **Stephen Murkett**, Gerlingen, Germany

[57] **CLAIM**

[73] Assignee: **Dr. Ing. h.c.F. Porsche AG**, Weissach, Germany

The ornamental design for a set of components for a motor vehicle comprising a pair of fender panels and a spoiler, as shown and described.

[\*\*] Term: **14 Years**

**DESCRIPTION**

[21] Appl. No.: **38,765**

FIG. 1 is a side view of a set of components for a motor vehicle comprising a pair of fender panels and a spoiler according to my novel design, it being understood that the opposite side is a mirror image thereof;

[22] Filed: **May 11, 1995**

FIG. 2 is a rear perspective view thereof;

[30] **Foreign Application Priority Data**

Nov. 11, 1994 [DE] Germany ..... M9408796.2

FIG. 3 is a rear perspective view thereof elevated from that of FIG. 2;

[52] **U.S. Cl.** ..... **D12/181**

[58] **Field of Search** ..... D12/181, 184, D12/196, 91, 92; 296/180.1; 280/847, 848, 849, 850

FIG. 4 is a perspective view thereof from the rear and one side; and,

[56] **References Cited**

**U.S. PATENT DOCUMENTS**

D. 360,609 7/1995 Ramaciotti ..... D12/196

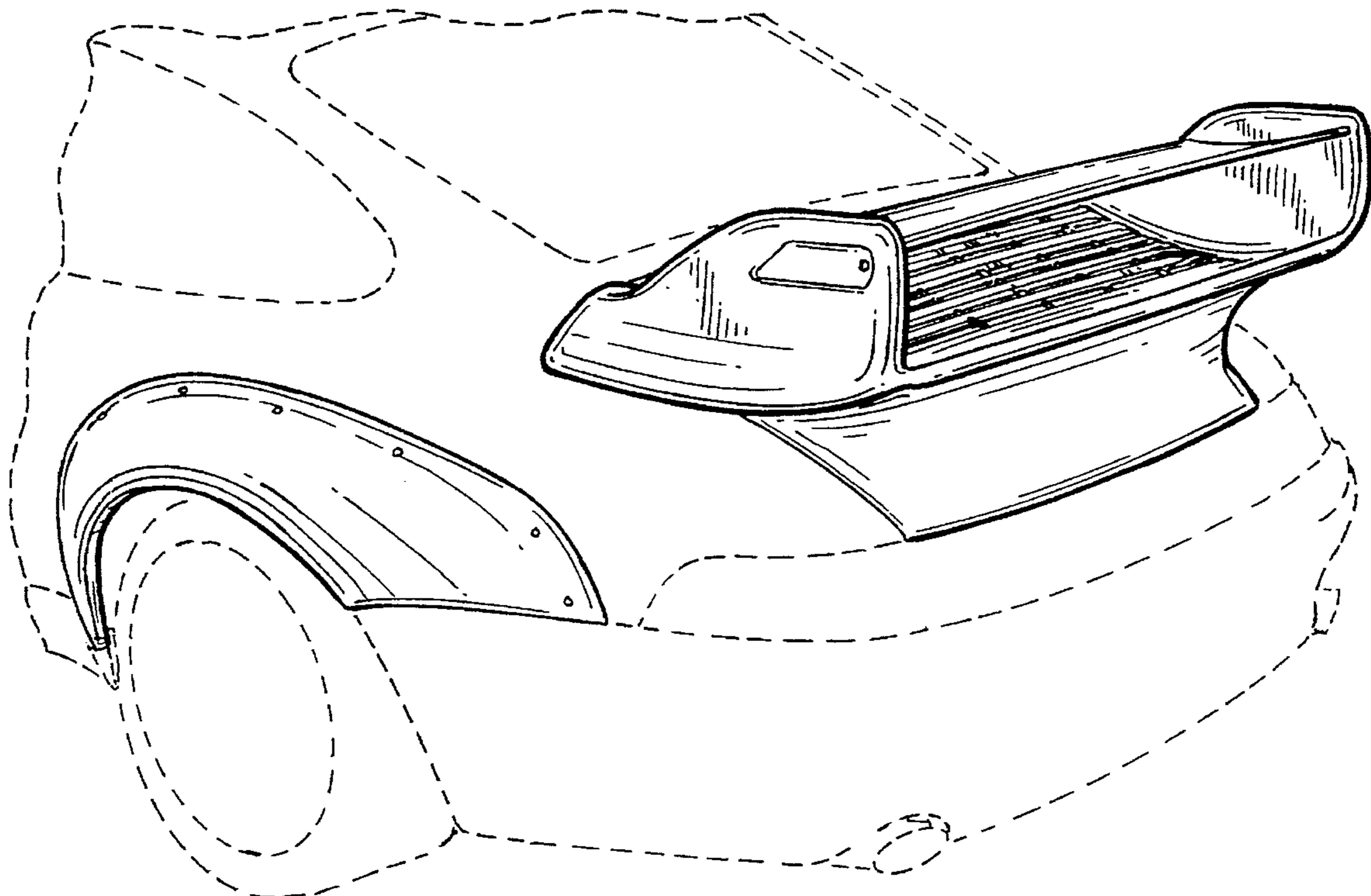
FIG. 5 is an enlarged fragmentary perspective view thereof from the front and one side, it being understood that a view from the opposite side is a mirror image thereof.

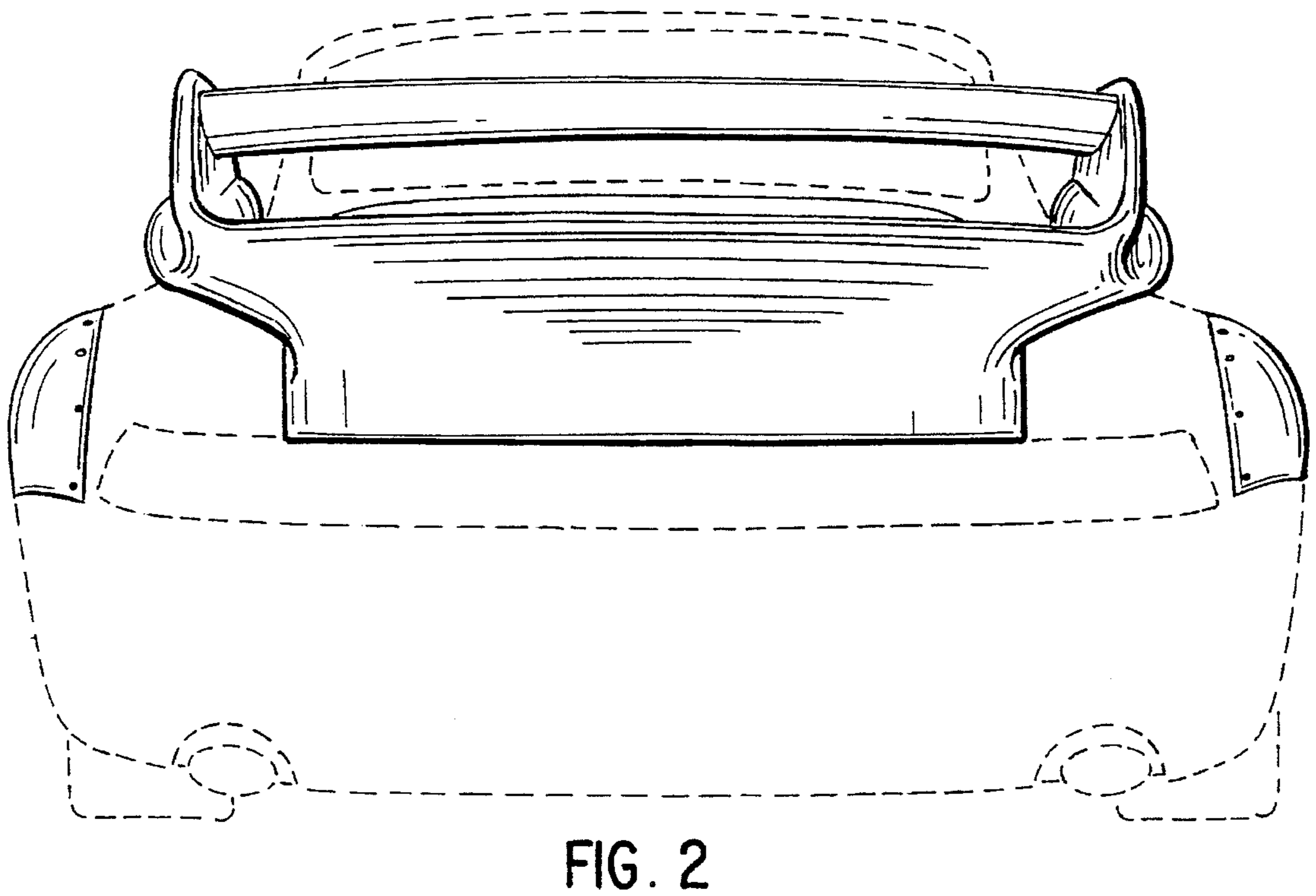
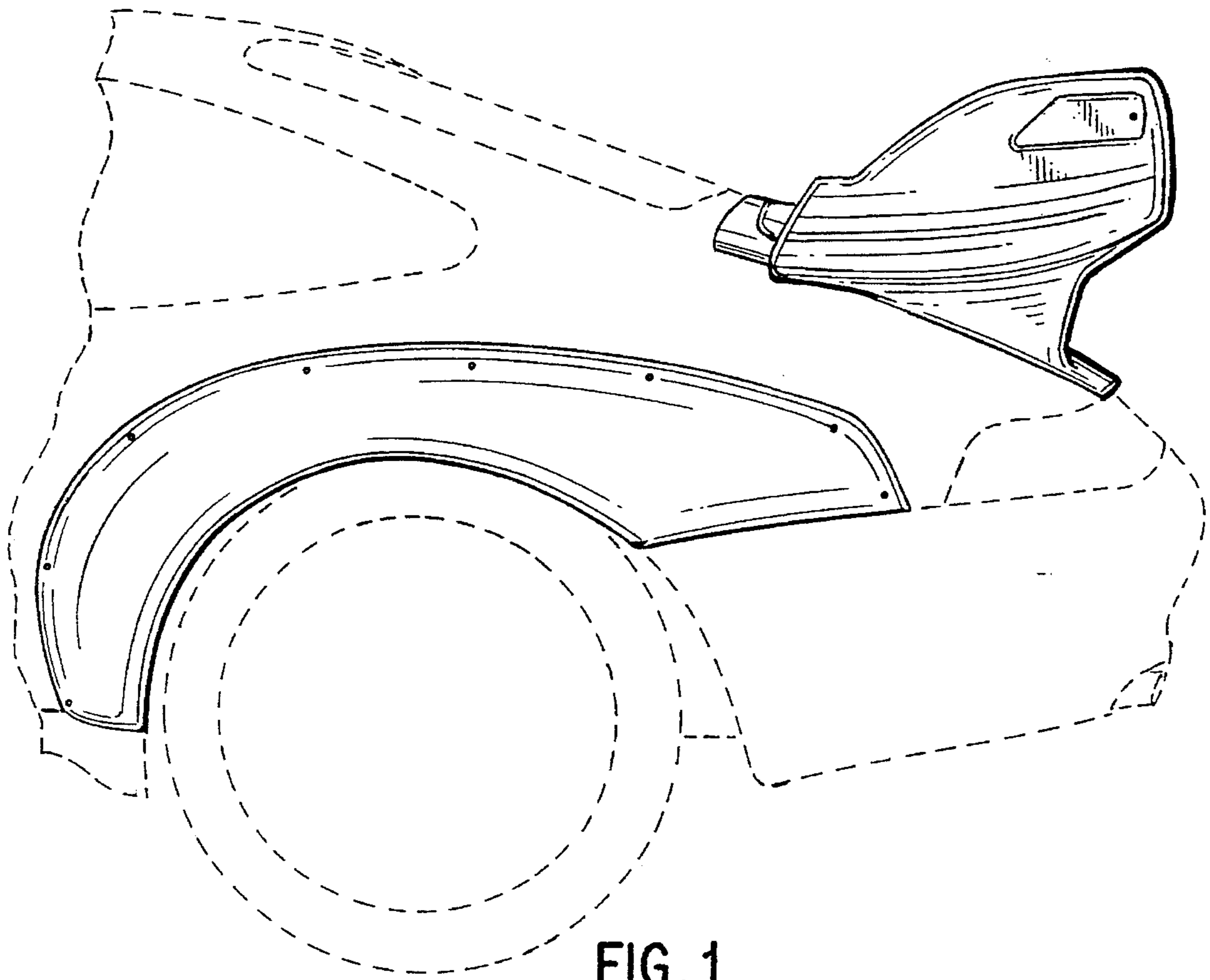
**OTHER PUBLICATIONS**

Road & Track, Feb. 1994, pp. 102 & 104, Rear Spoiler & Fender Panel of Porsche 911 Automobile, bottom of page.  
Electrodyn Spring 1980 Catalog, p. 36, Whaletail Spoilers for Porsche 911, right side of page.

The broken line showing of a portion of a motor vehicle in the drawings is for illustrative purposes only and forms no part of the claimed design.

**1 Claim, 3 Drawing Sheets**





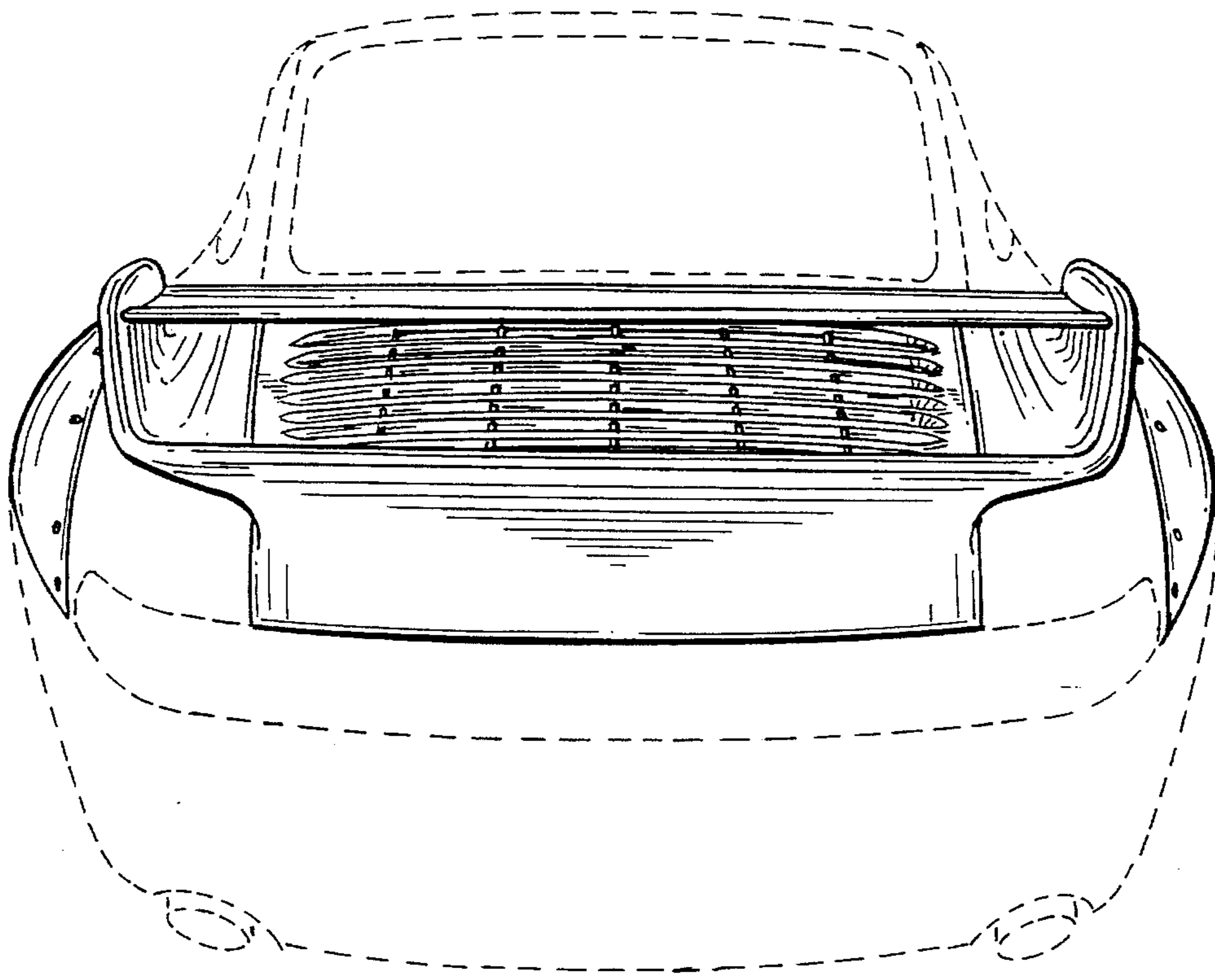


FIG. 3

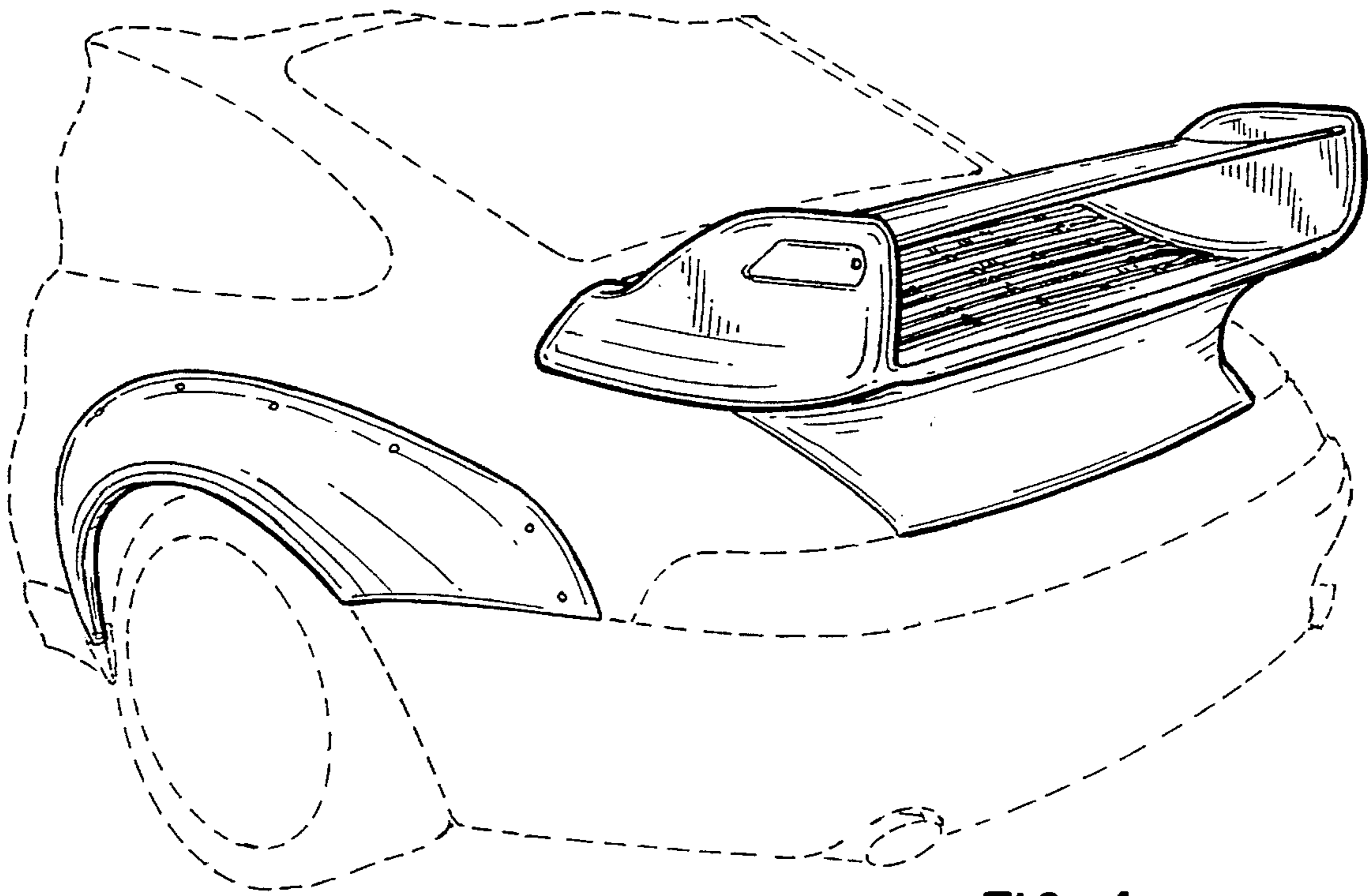


FIG. 4

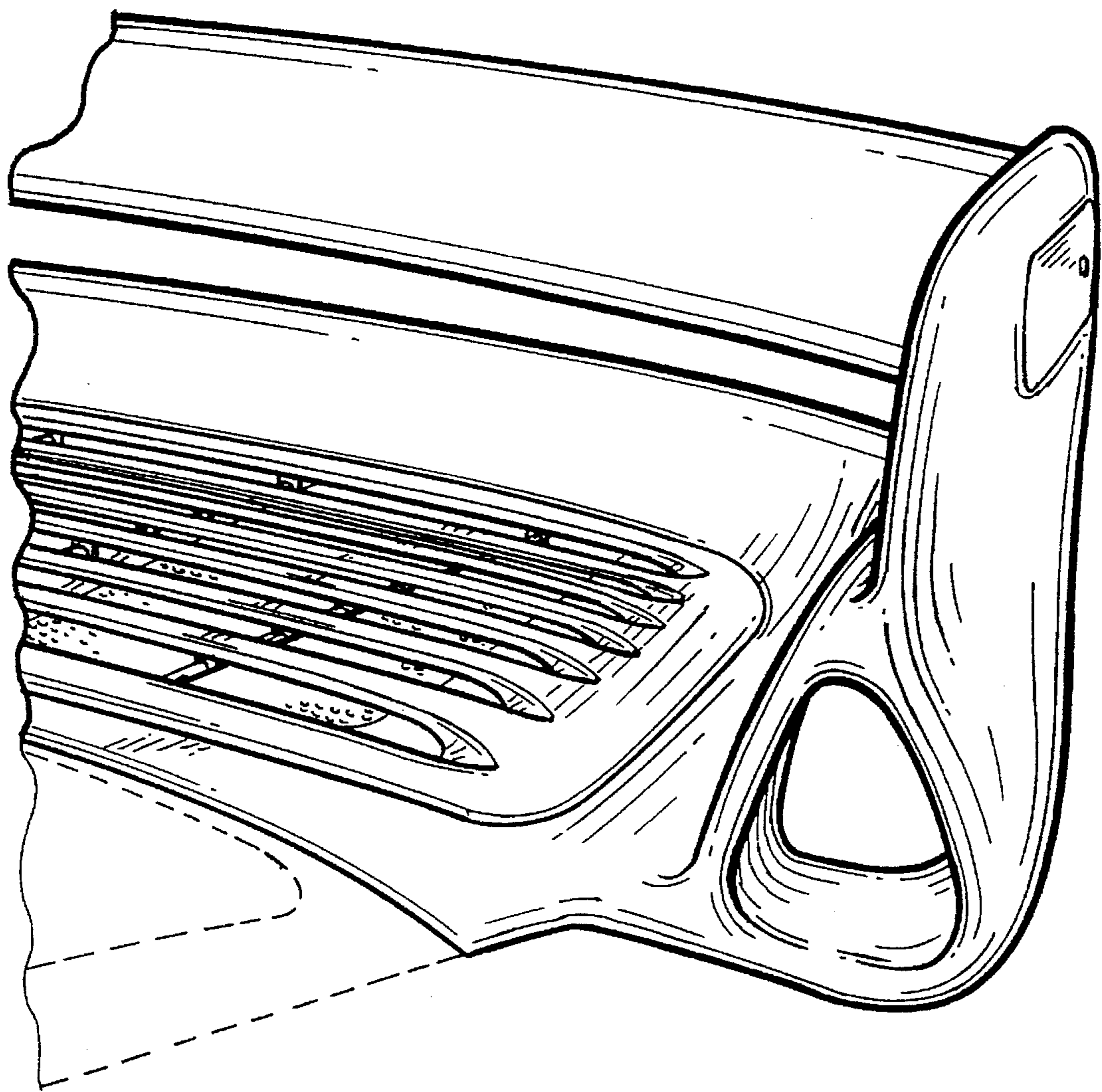


FIG. 5