



US00D377328S

# United States Patent [19]

Stoddart

[11] Patent Number: **Des. 377,328**

[45] Date of Patent: **\*\*Jan. 14, 1997**

[54] **CAMBER ADJUSTMENT DEVICE FOR A WHEELCHAIR WHEEL**

5,333,894 8/1994 Mayes ..... 280/661

[76] Inventor: **Phillip G. Stoddart**, 852 Linda Ave., Pocatello, Id. 83201

*Primary Examiner*—Kay H. Chin  
*Attorney, Agent, or Firm*—James A. Hudak

[\*\*] Term: **14 Years**

[57] **CLAIM**

The ornamental design for a camber adjustment device for a wheelchair wheel, as shown and described.

[21] Appl. No.: **44,553**

**DESCRIPTION**

[22] Filed: **Sep. 26, 1995**

[52] U.S. Cl. .... **D12/133**

FIG. 1 is a perspective view of the camber adjustment device for a wheelchair wheel showing my new design;

[58] Field of Search ..... D12/128, 131, D12/133; 280/661, 280.1, 304.1

FIG. 2 is a front elevational view thereof;

FIG. 3 is a rear elevational view thereof;

[56] **References Cited**

**U.S. PATENT DOCUMENTS**

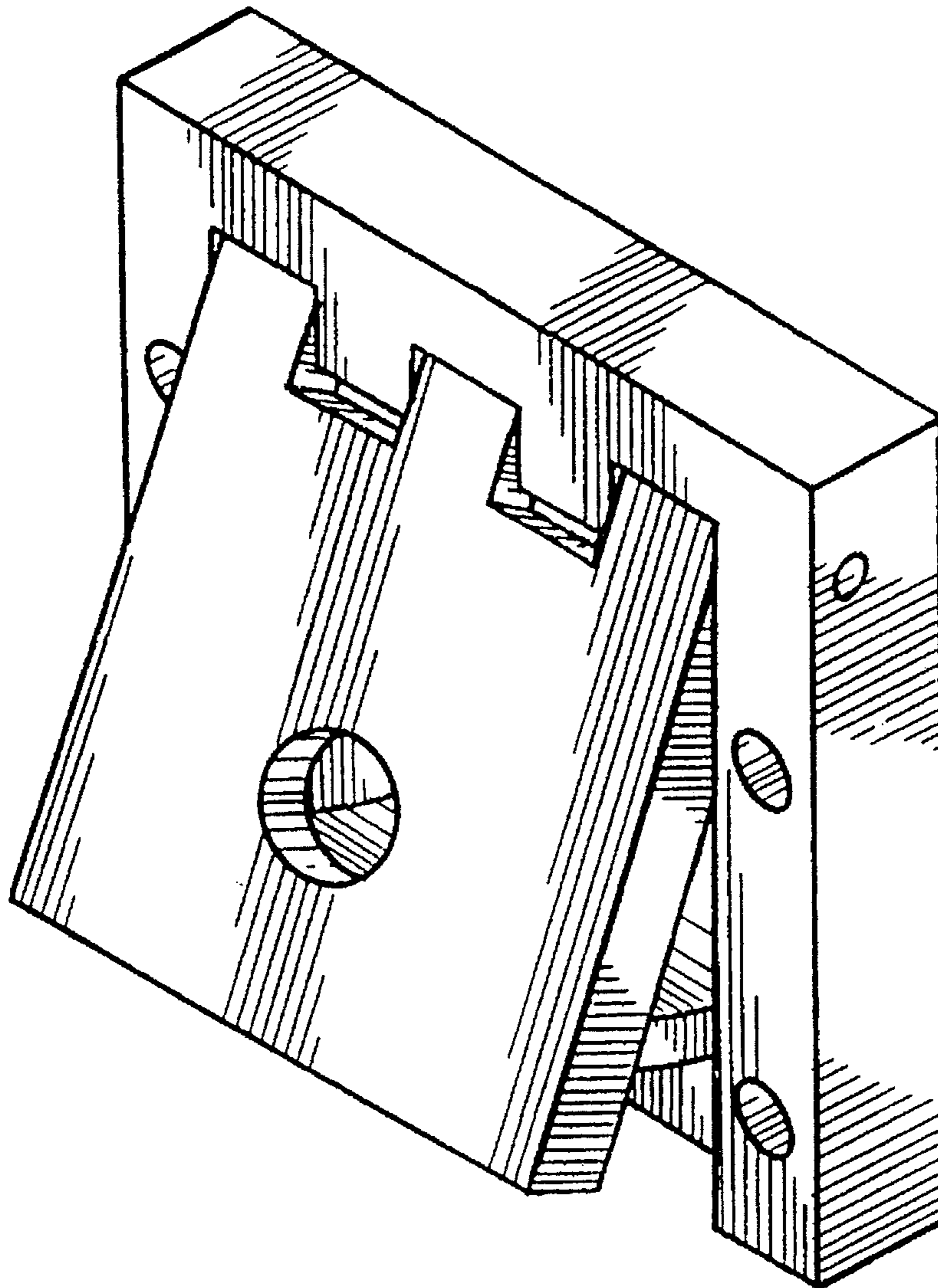
- 5,131,672 7/1992 Robertson et al. .... 280/250.1
- 5,259,635 11/1993 Picker ..... 280/250.1
- 5,267,754 12/1993 Robertson et al. .... 280/250.1
- 5,301,977 4/1994 Schlosser et al. .... 280/661

FIG. 4 is a right side elevational view thereof, the left side elevational view being a mirror image of the view shown in this figure;

FIG. 5 is a top plan view thereof; and,

FIG. 6 is a bottom plan view thereof.

**1 Claim, 3 Drawing Sheets**



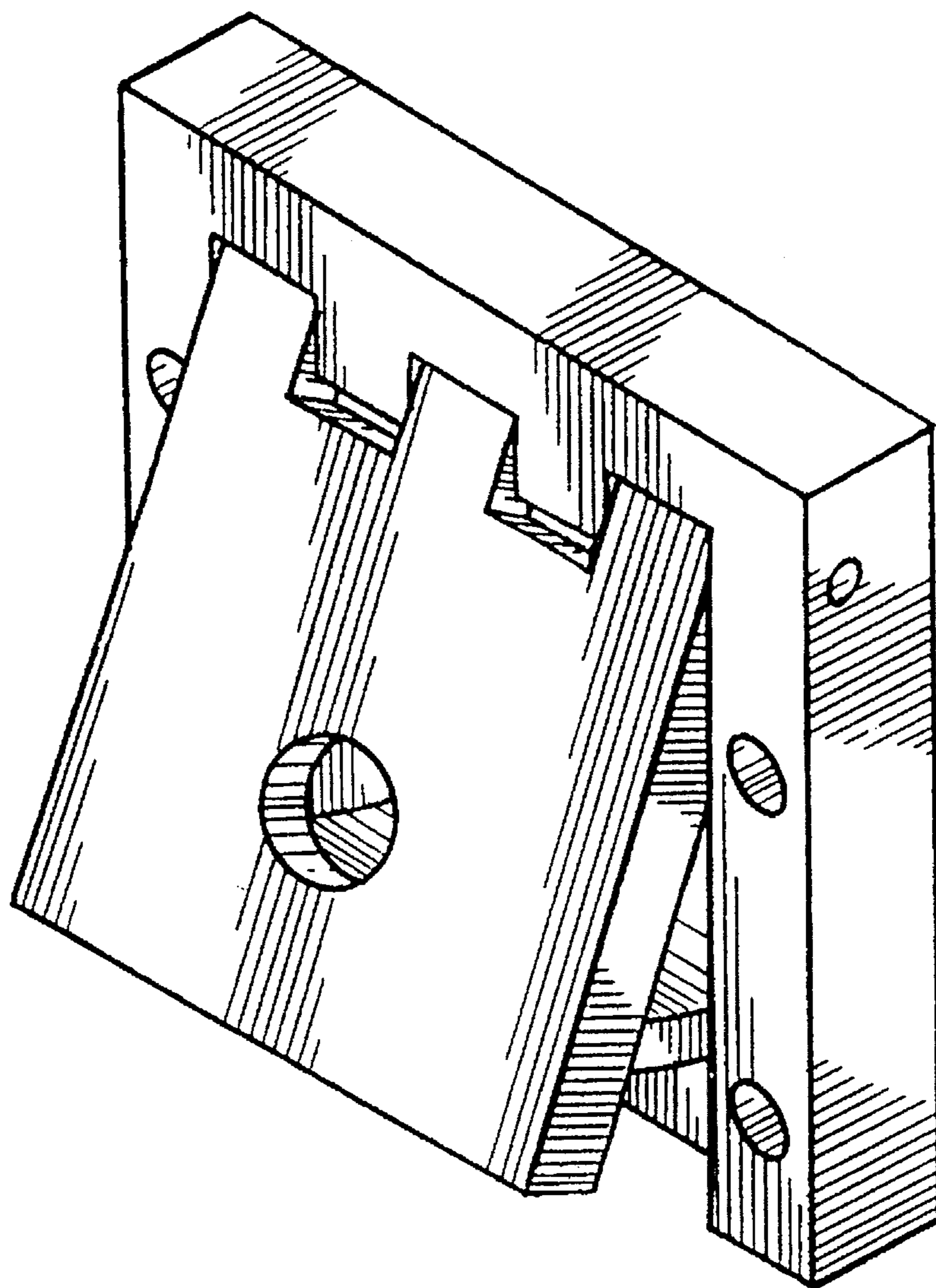


FIG. 1.

FIG. 4.

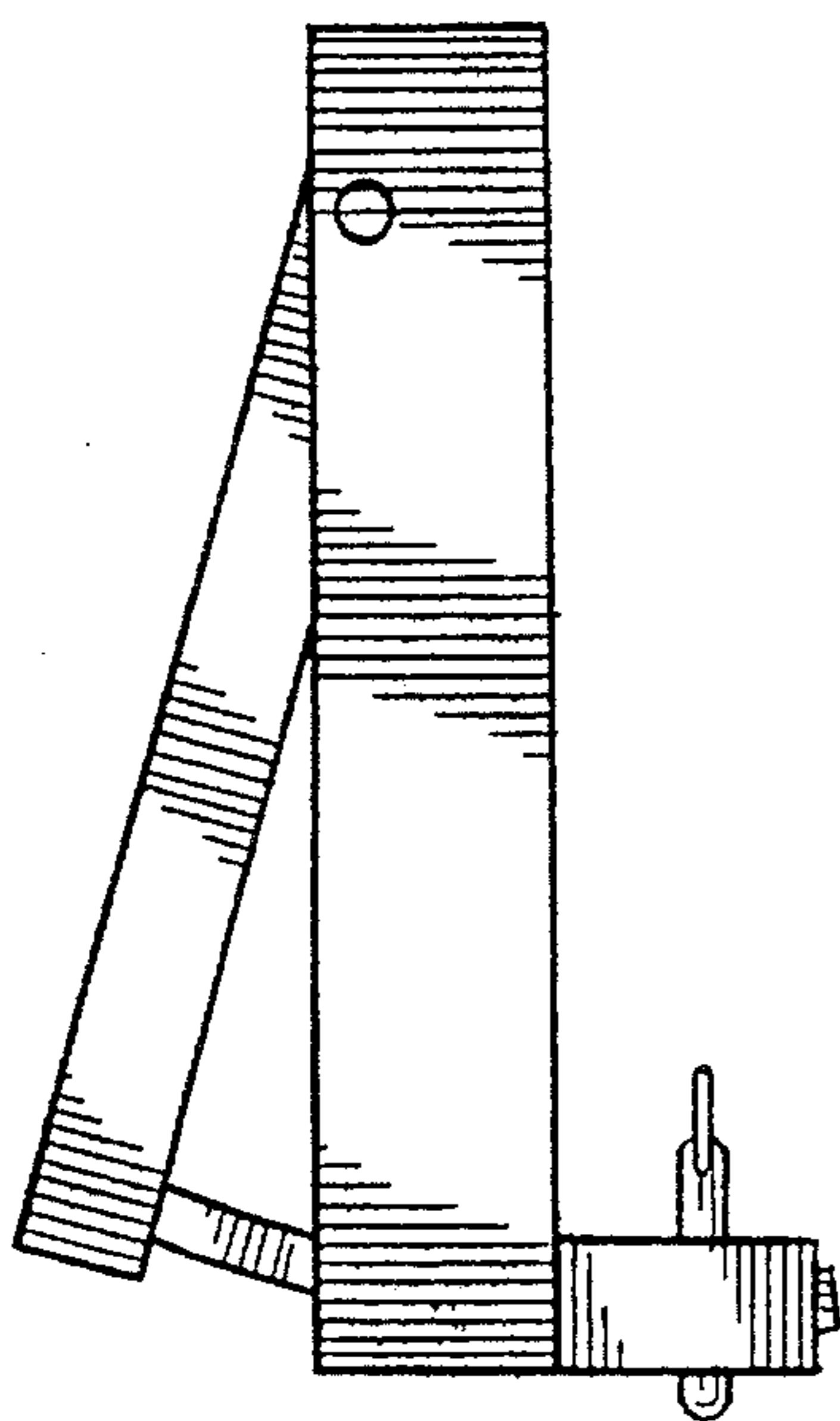


FIG. 2.

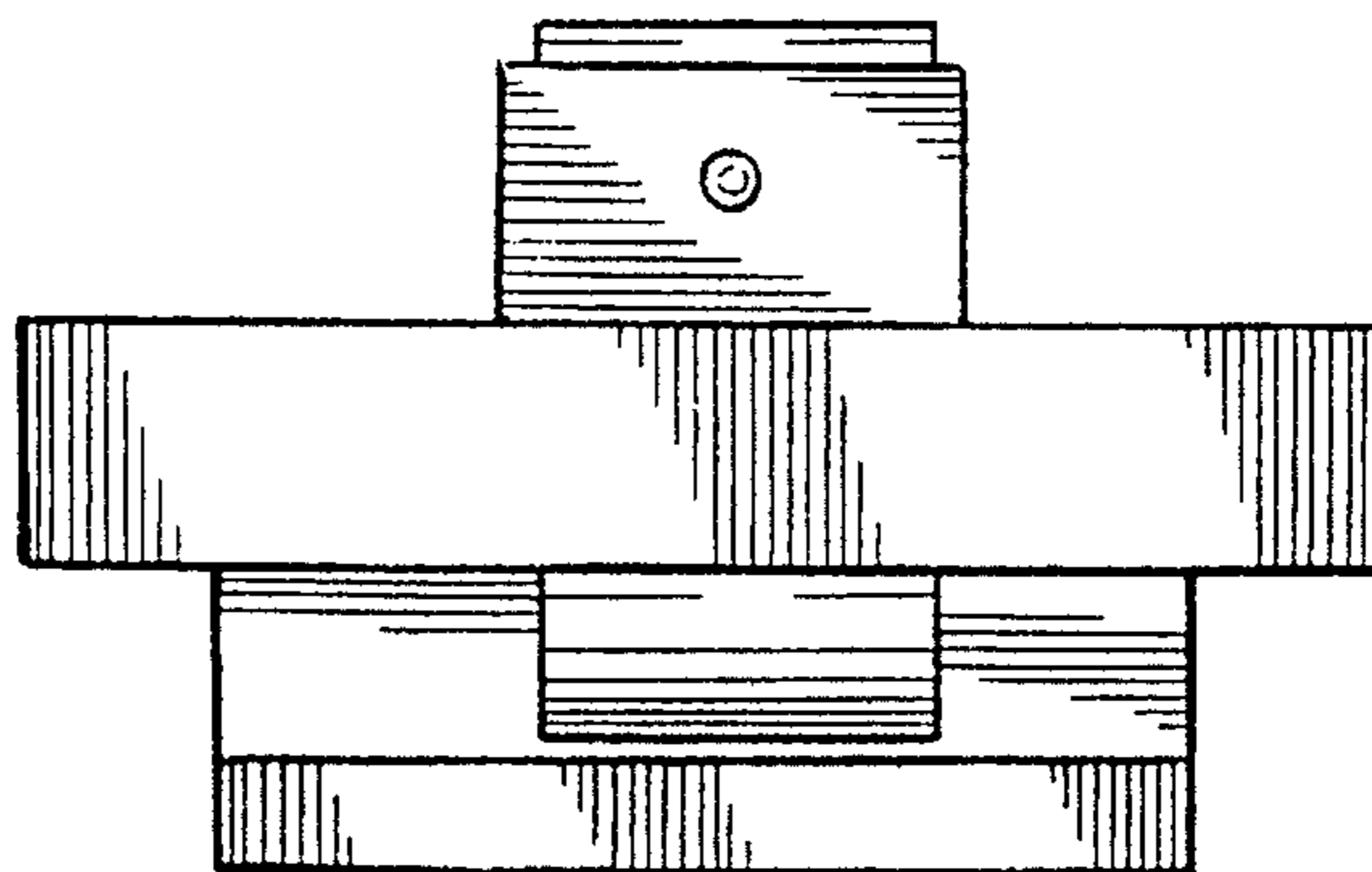
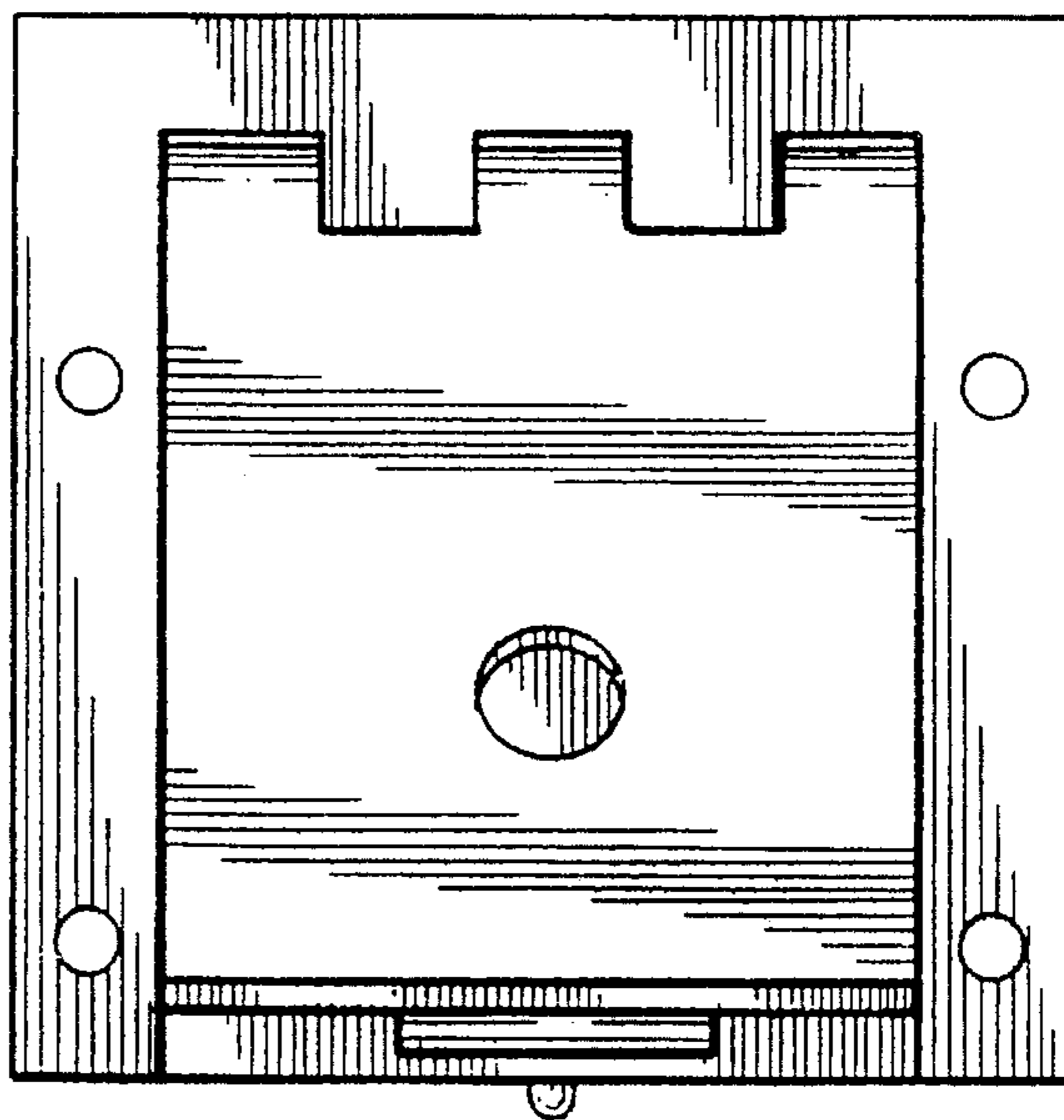


FIG. 6.

FIG. 5.

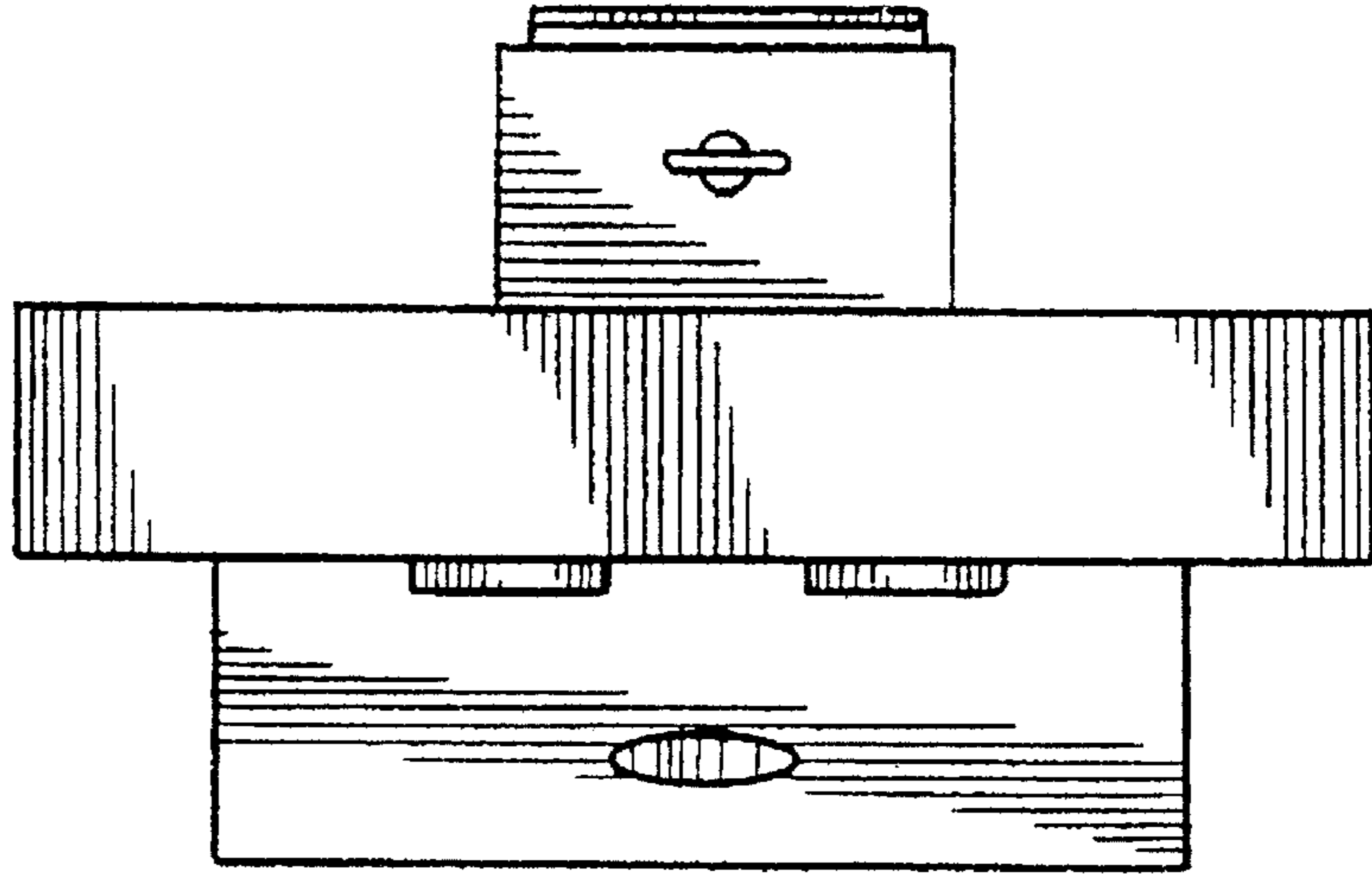


FIG. 3.

