



US00D377326S

United States Patent [19]

Grossman et al.

[11] Patent Number: **Des. 377,326**

[45] Date of Patent: ****Jan. 14, 1997**

[54] **TACTICAL AIRCRAFT DECOY (TAD)**

[75] Inventors: **Stephen P. Grossman**, El Segundo;
Richard L. Ranes, Simi Valley; **Perry B. Petersen**, Newberry Park; **Barnaby S. Wainfan**, Long Beach, all of Calif.

[73] Assignee: **Northrop Grumman Corporation**, Los Angeles, Calif.

[**] Term: **14 Years**

[21] Appl. No.: **43,284**

[22] Filed: **Aug. 31, 1995**

[52] U.S. Cl. **D12/16.1**; D12/319

[58] Field of Search D12/319-345,
D12/16.1; 244/2, 3.1, 118.2, 137.4

[56] **References Cited**

U.S. PATENT DOCUMENTS

D. 191,148	8/1961	Sigford	D12/16.1
D. 317,003	5/1991	Tribe et al.	D12/333
3,063,375	11/1962	Hawley et al.	102/50
3,563,495	2/1971	Korn	244/3.29

3,703,998	11/1972	Girard	244/2
4,778,127	10/1988	Duchesneau	244/3.29
4,826,105	5/1989	Smiley	244/137.4
4,867,393	9/1989	Faupell et al.	244/3.22
4,884,766	12/1989	Steinmetz et al.	244/3.27
5,085,381	2/1992	Spiroff et al.	244/3.24
5,326,049	7/1994	Rom et al.	244/3.28

Primary Examiner—Kay H. Chin

Attorney, Agent, or Firm—Terry J. Anderson; Karl J. Hoch, Jr.

[57] **CLAIM**

The ornamental design for a tactical aircraft decoy (TAD), as shown and described.

DESCRIPTION

FIG. 1 is a front perspective view of the invention;
FIG. 2 is a side view of the invention;
FIG. 3 is a top view of the invention;
FIG. 4 is a bottom view of the invention;
FIG. 5 is a front end view of the invention; and,
FIG. 6 is a rear end view of the invention.

1 Claim, 1 Drawing Sheet

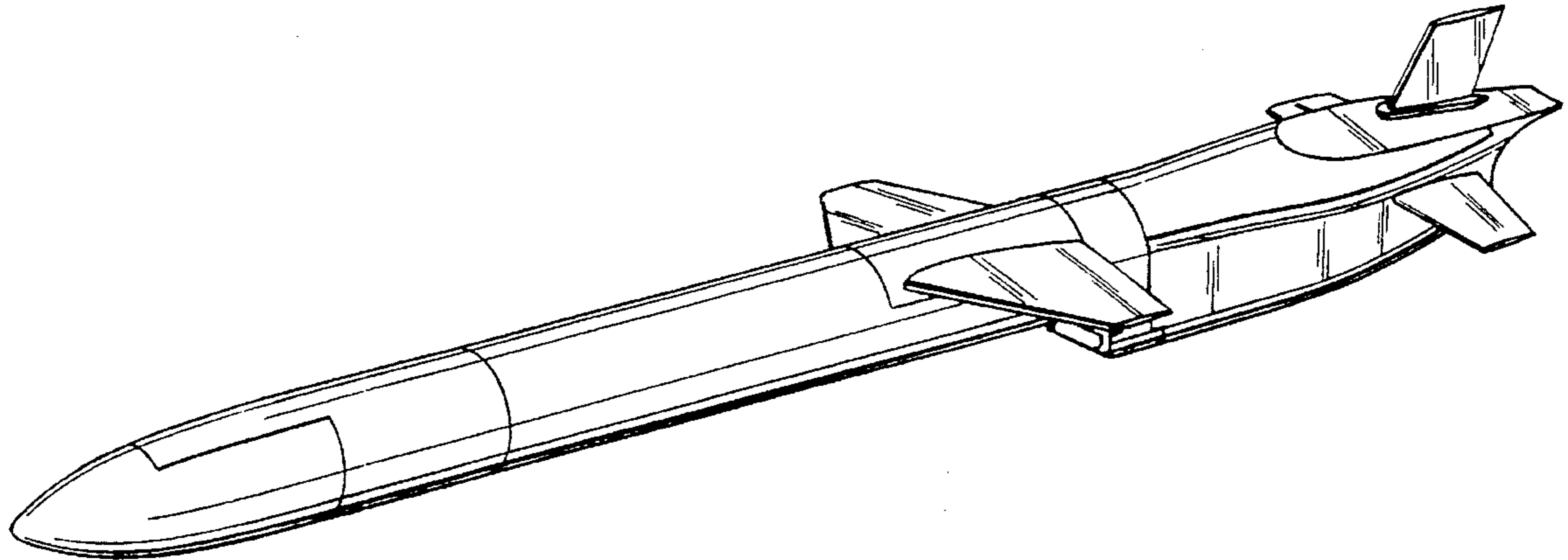


Fig. 1

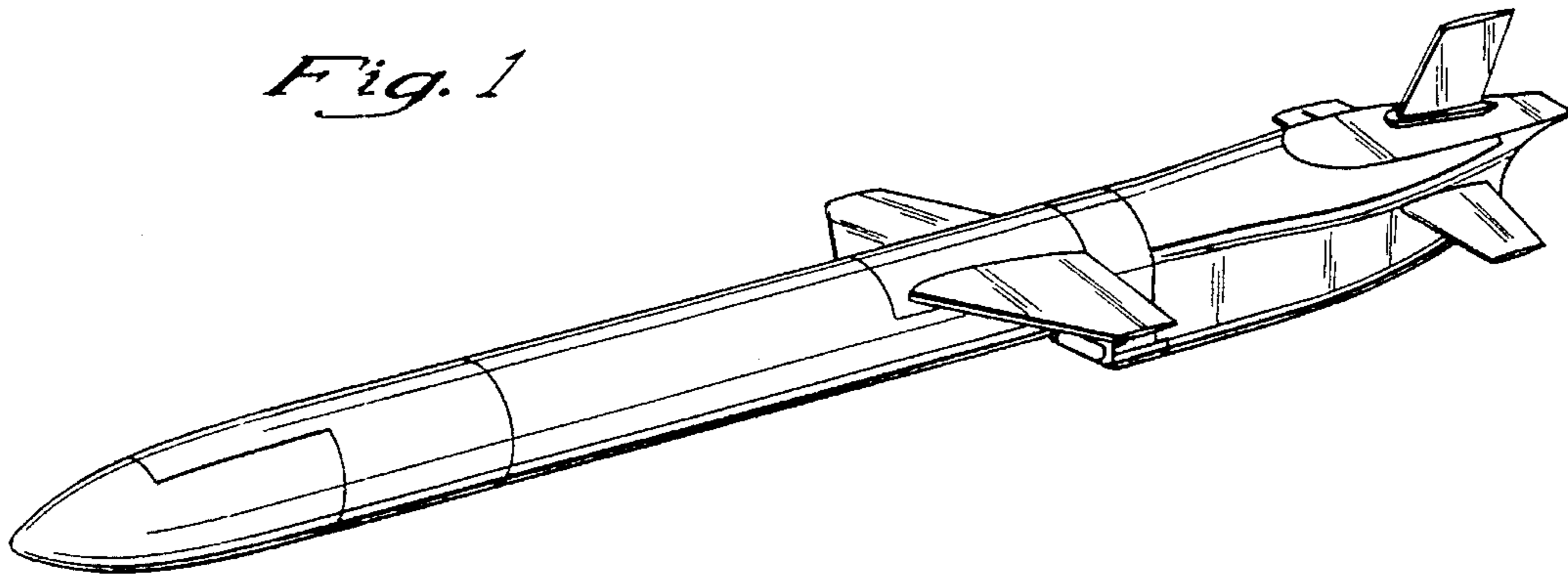


Fig. 3

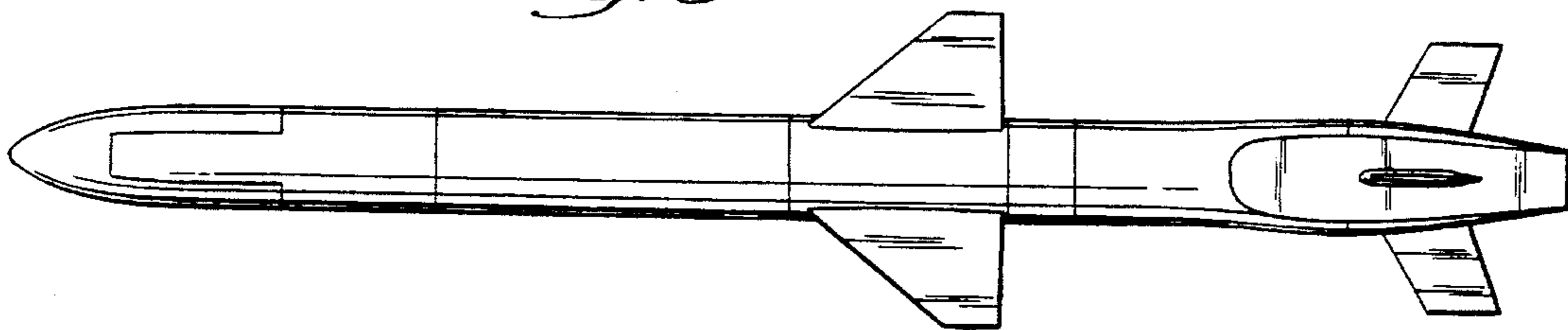


Fig. 2

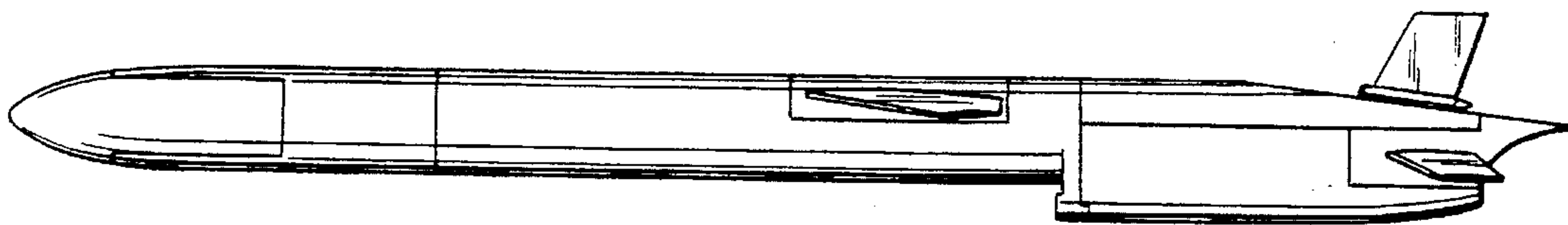


Fig. 4

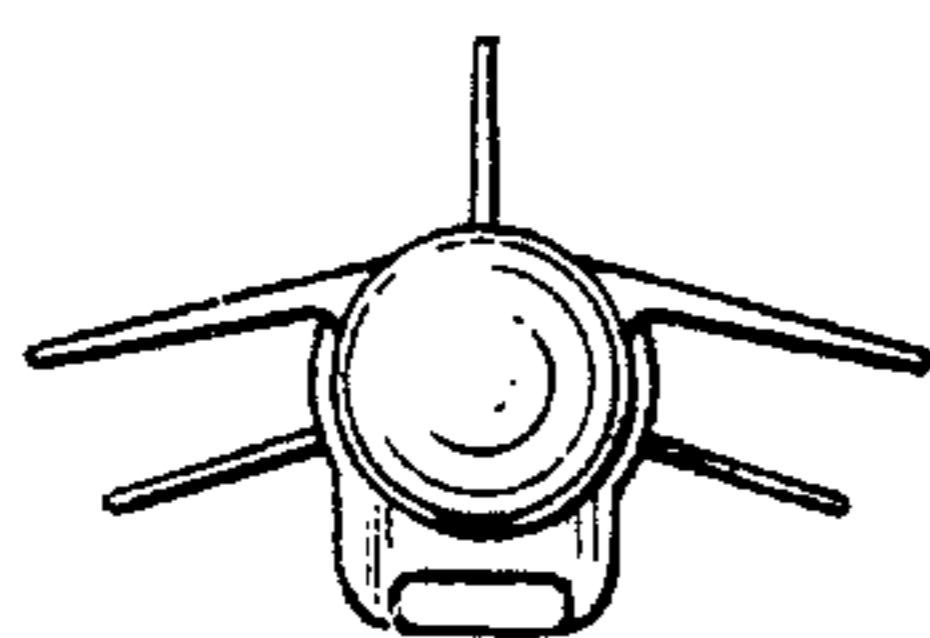
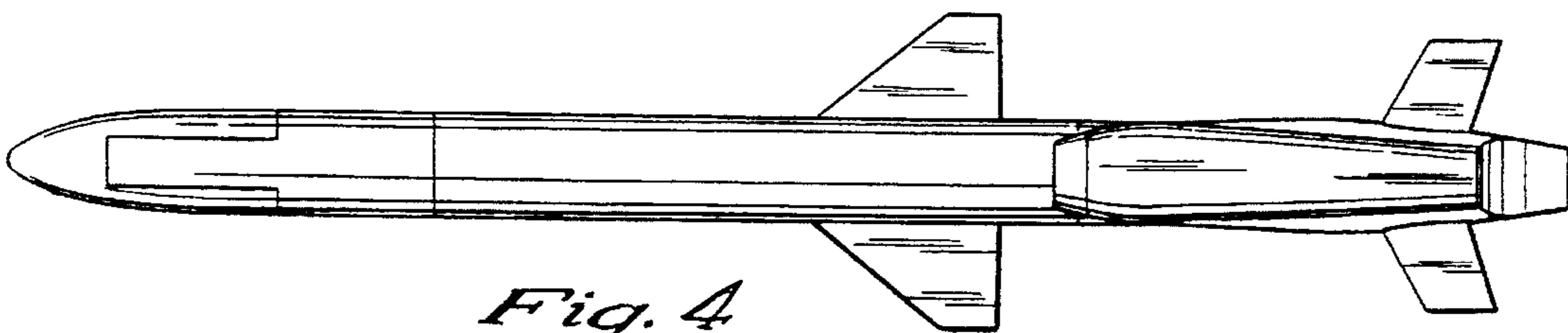


Fig. 5

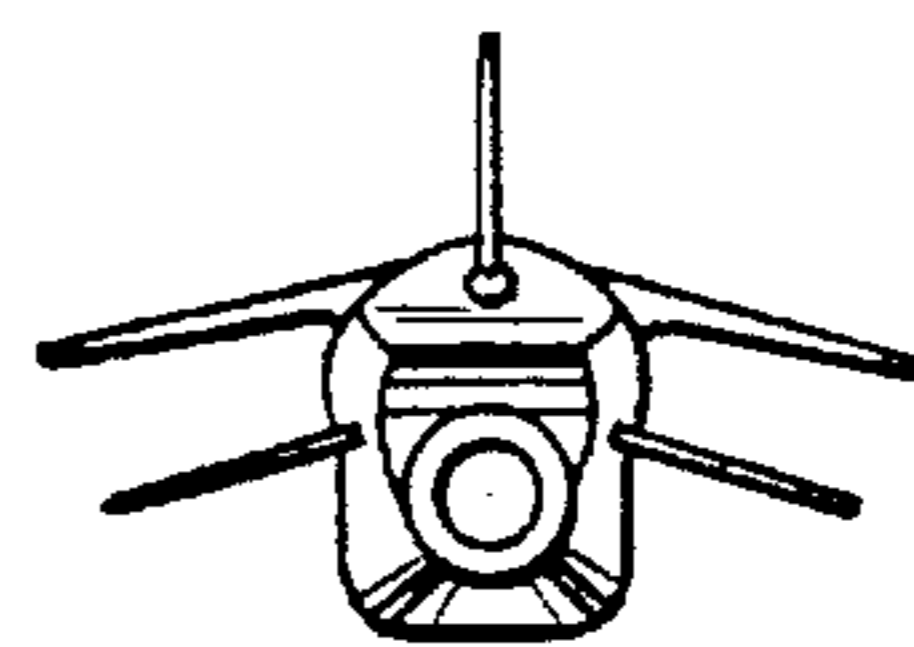


Fig. 6