



US00D377319S

United States Patent [19]

Amano et al.

[11] Patent Number: **Des. 377,319**

[45] Date of Patent: ****Jan. 14, 1997**

[54] NETWORK ANALYZER

[75] Inventors: **Hiroaki Amano**, Kounosu; **Chizuru Arai**, Hanyu, both of Japan

[73] Assignee: **Advantest Corporation**, Tokyo, Japan

[**] Term: **14 Years**

[21] Appl. No.: **47,760**

[22] Filed: **Dec. 12, 1995**

[30] Foreign Application Priority Data

Jun. 14, 1995 [JP] Japan 7-16977

[52] U.S. Cl. **D10/75**; D10/76

[58] Field of Search D10/75, 76; D14/100, D14/107, 164; 324/76.12, 76.13, 76.19, 76.22, 76.23, 76.59, 601, 603, 605, 612, 615, 616, 619, 620, 623, 638, 640, 650; 356/73.1; 364/482, 484, 485, 487, 570, 571.04, 578

[56] References Cited

U.S. PATENT DOCUMENTS

D. 282,351 1/1986 Nord et al. D10/76
D. 335,093 4/1993 Holmen et al. D10/75 X
D. 343,799 2/1994 Spinks et al. D10/75

D. 343,800 2/1994 Spinks et al. D10/75
D. 362,845 10/1995 Ho et al. D10/75 X
4,244,024 1/1981 Marzalek et al. 364/485

Primary Examiner—Antoine Duval Davis
Attorney, Agent, or Firm—Staas & Halsey

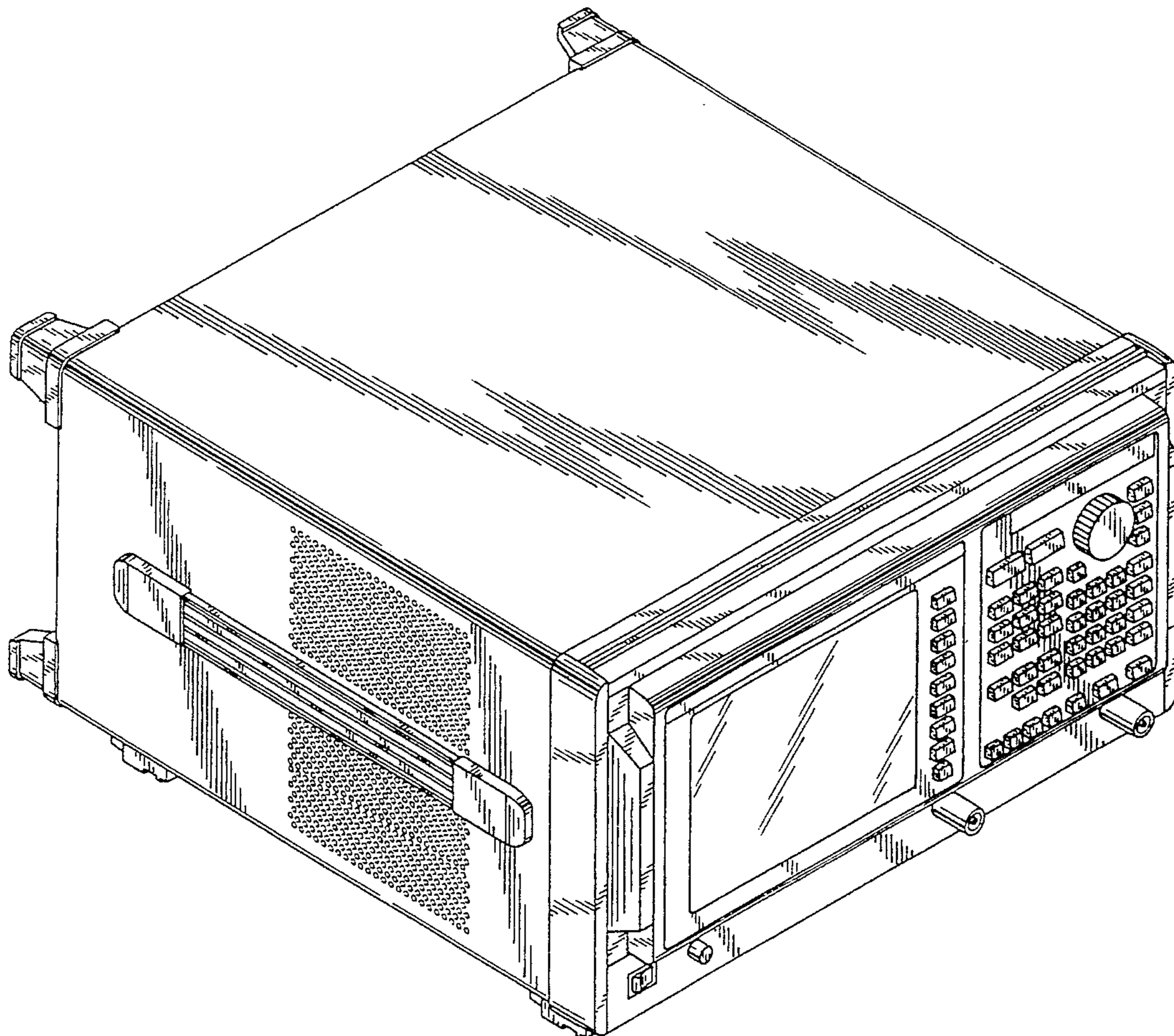
[57] CLAIM

The ornamental design for a network analyzer, as shown and described.

DESCRIPTION

FIG. 1 is a top view of the invention;
FIG. 2 is a front view of the invention;
FIG. 3 is a right side view of the invention;
FIG. 4 is a left side view of the invention;
FIG. 5 is a rear view of the invention;
FIG. 6 is a bottom view of the invention;
FIG. 7 is a perspective view of the invention seen from front side;
FIG. 8 is a perspective view of the invention seen from rear side;
FIG. 9 is a perspective view of the invention with a front panel tilted upward; and,
FIG. 10 is a perspective view of the invention with a front panel tilted downward.

1 Claim, 7 Drawing Sheets



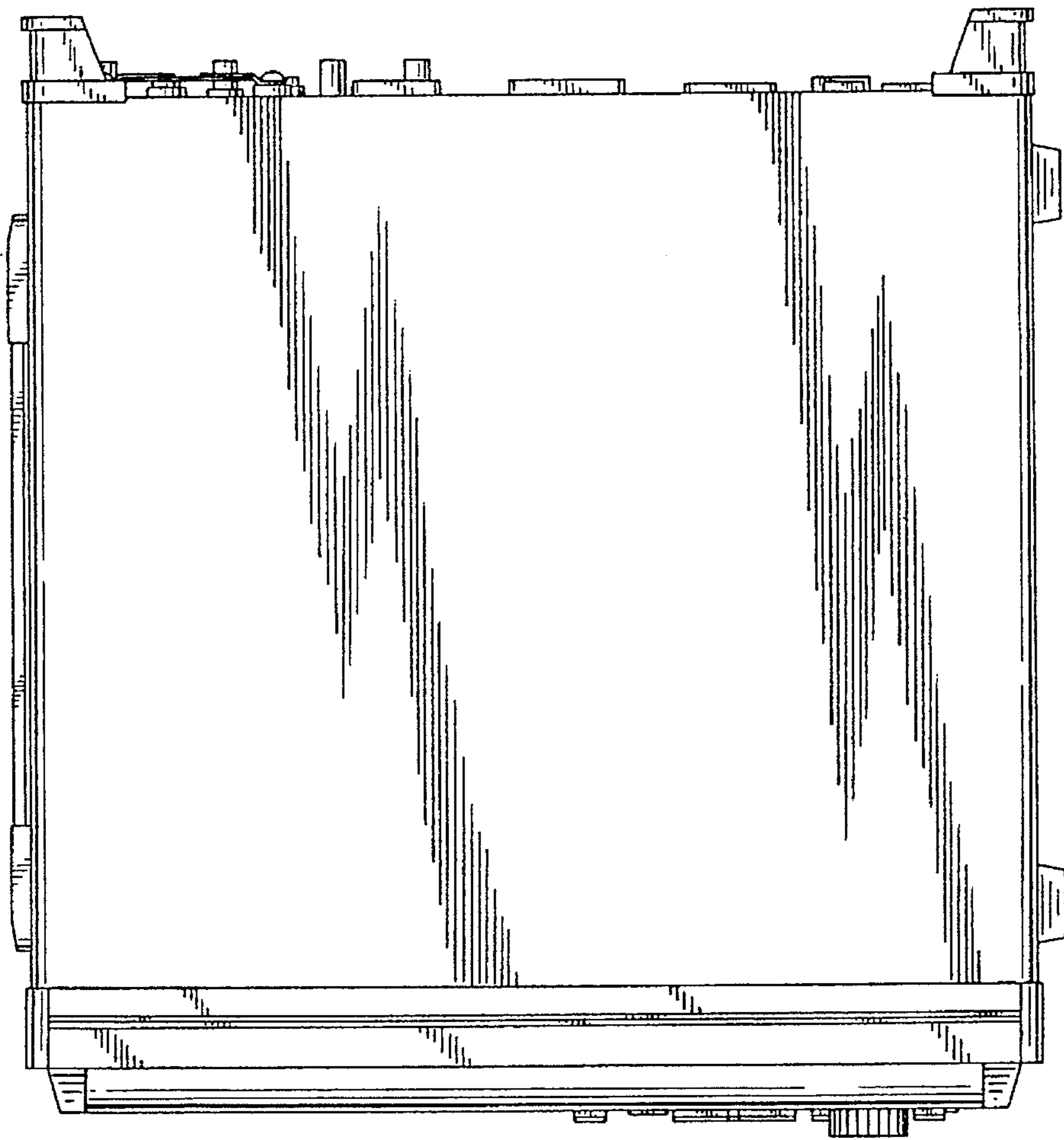


FIG. 1

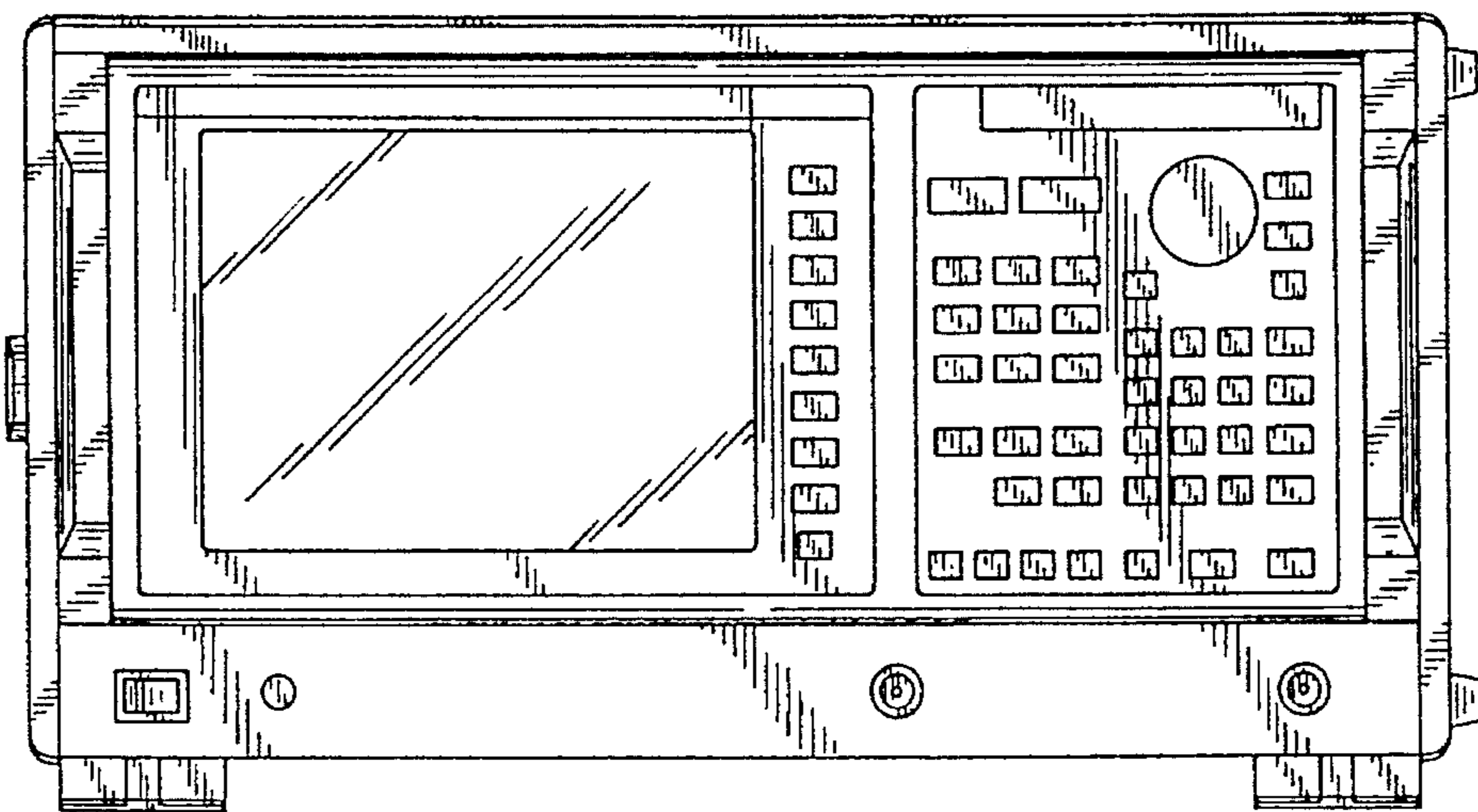


FIG. 2

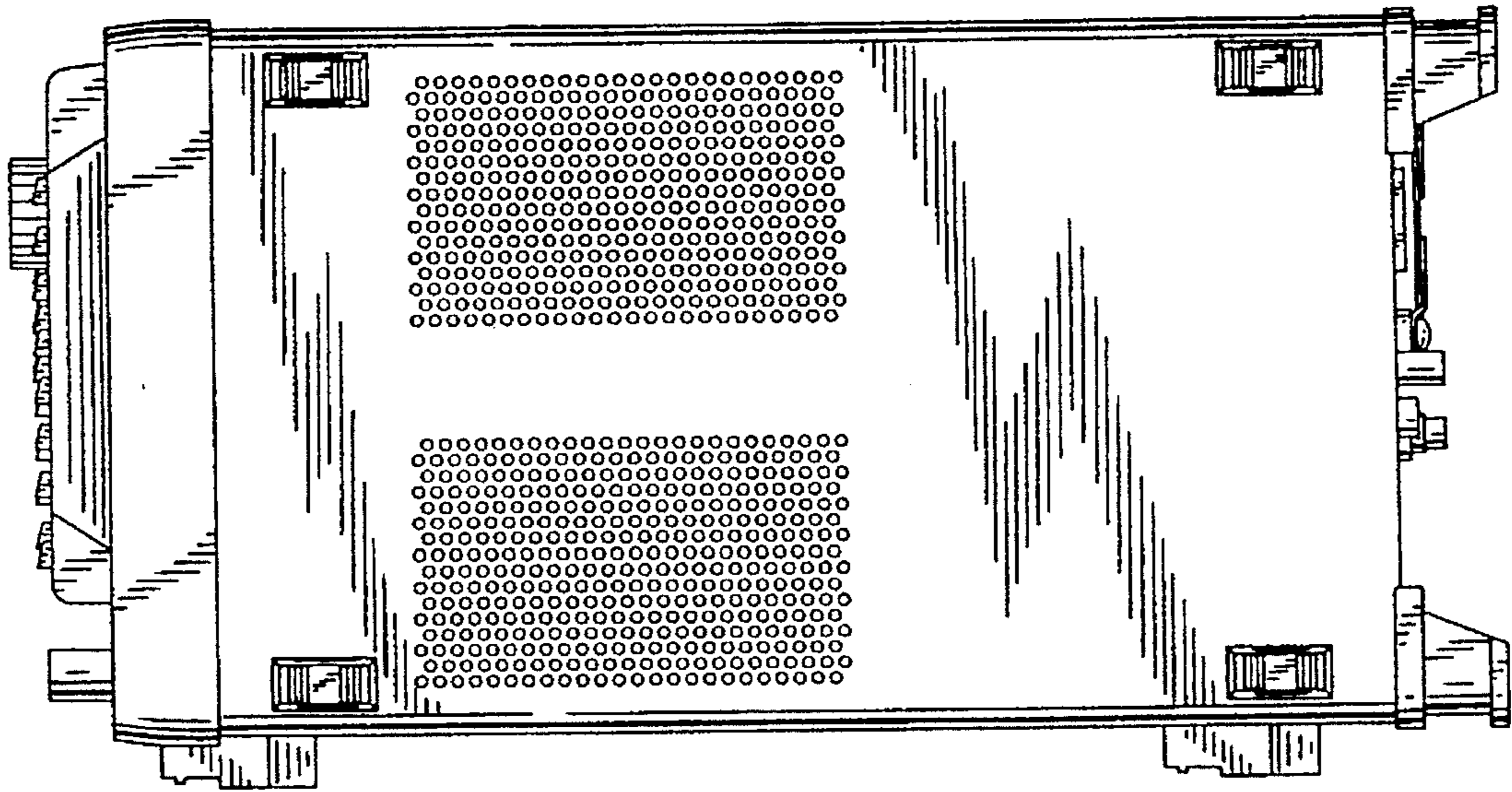


FIG. 3

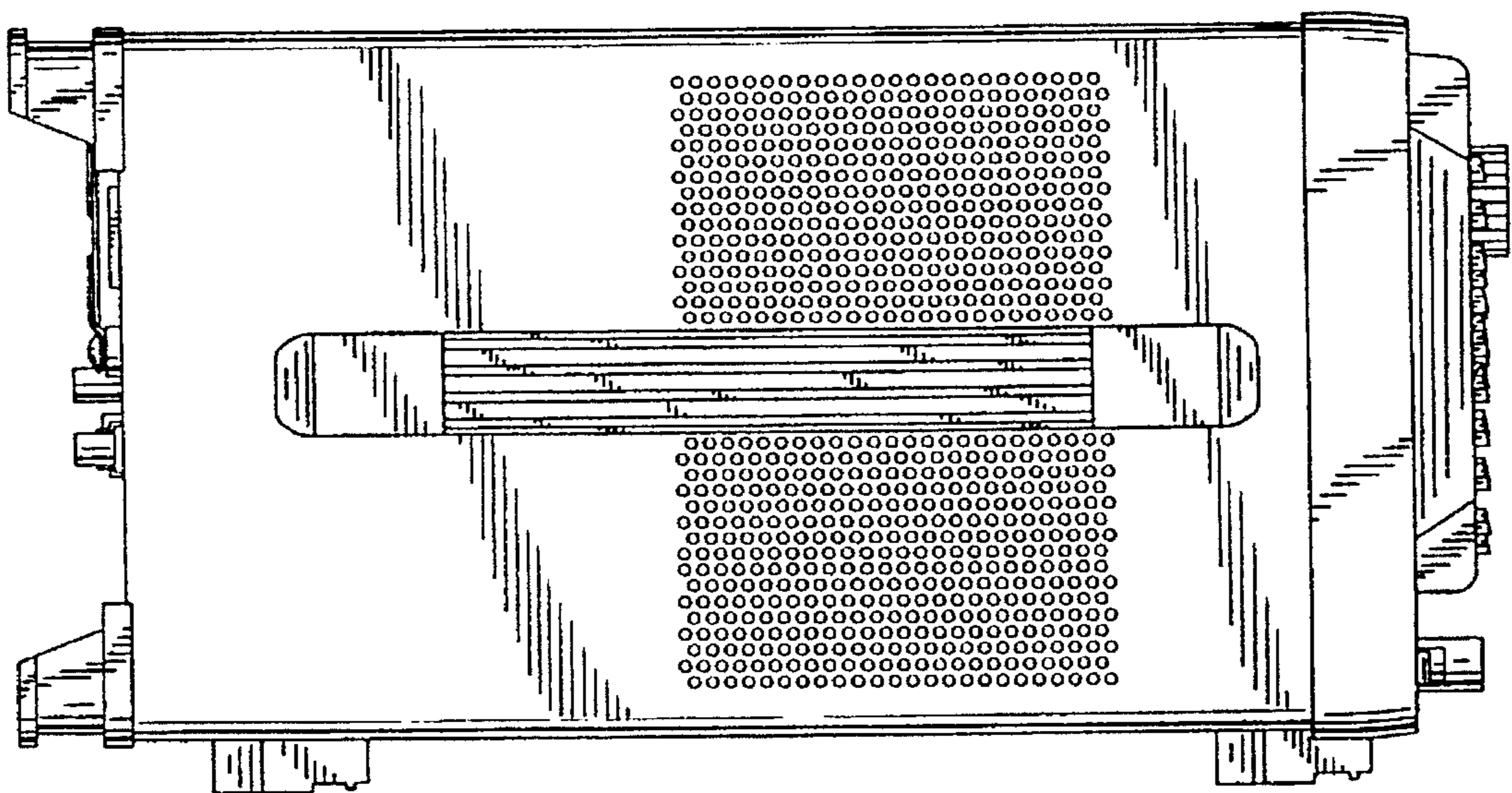


FIG. 4

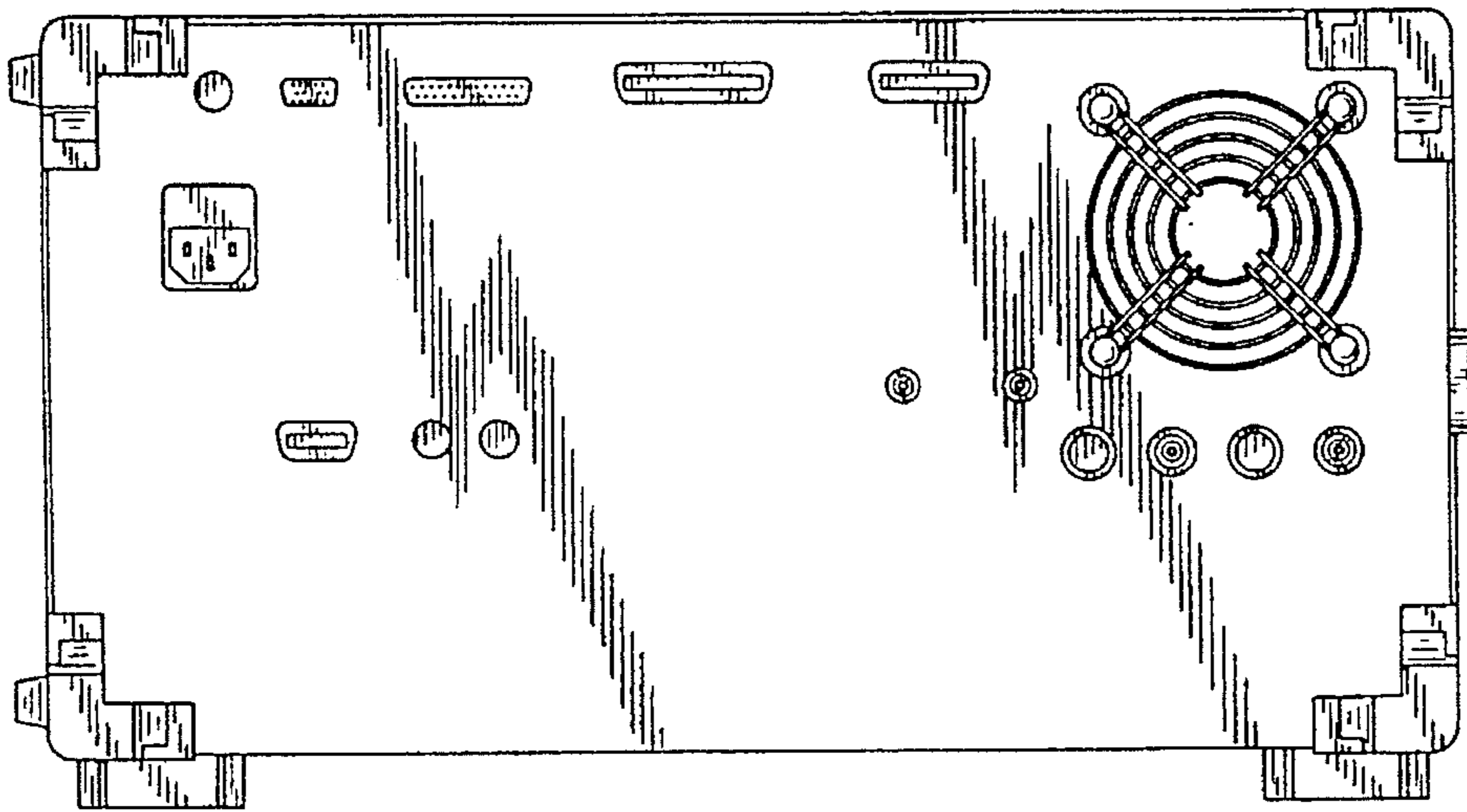


FIG. 5

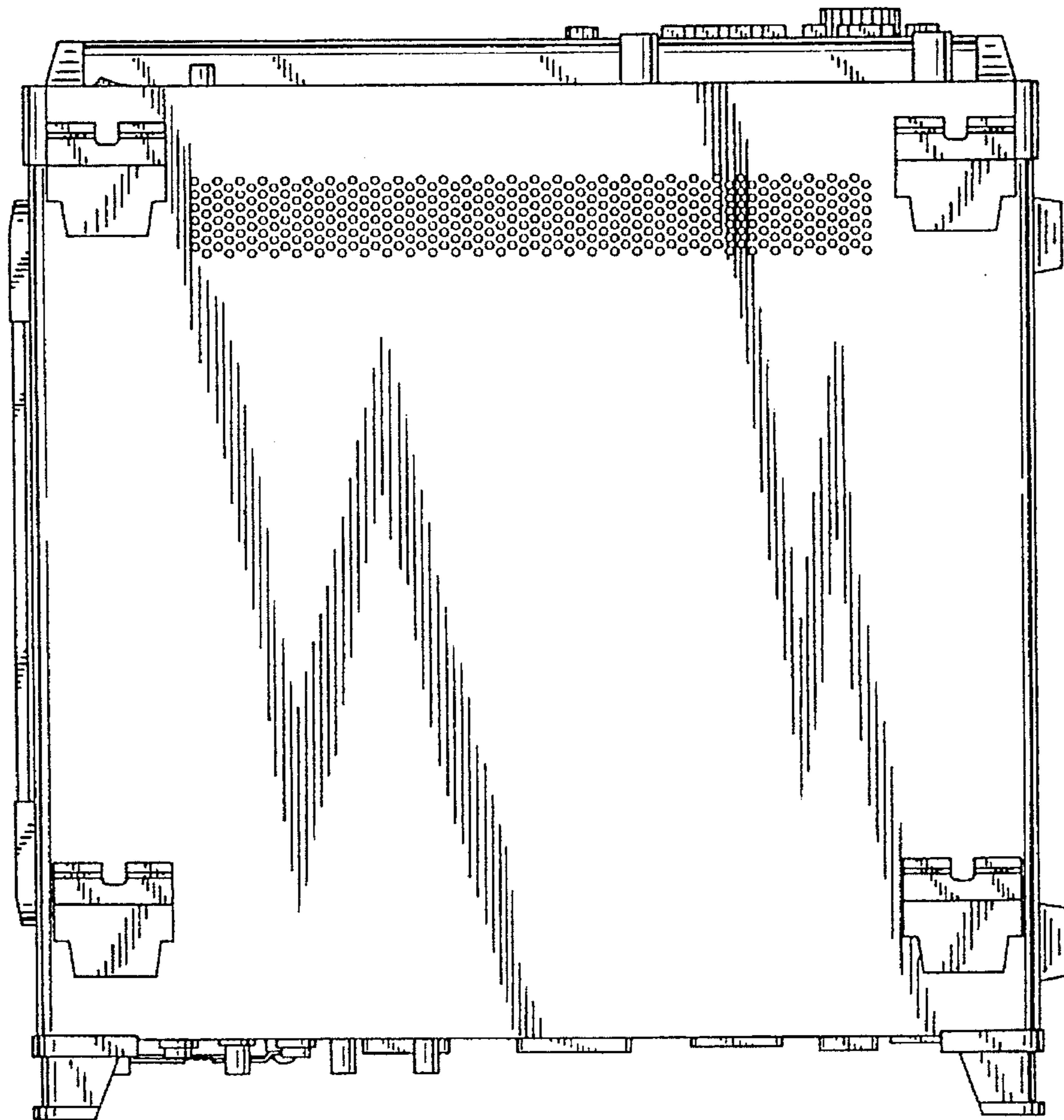


FIG. 6

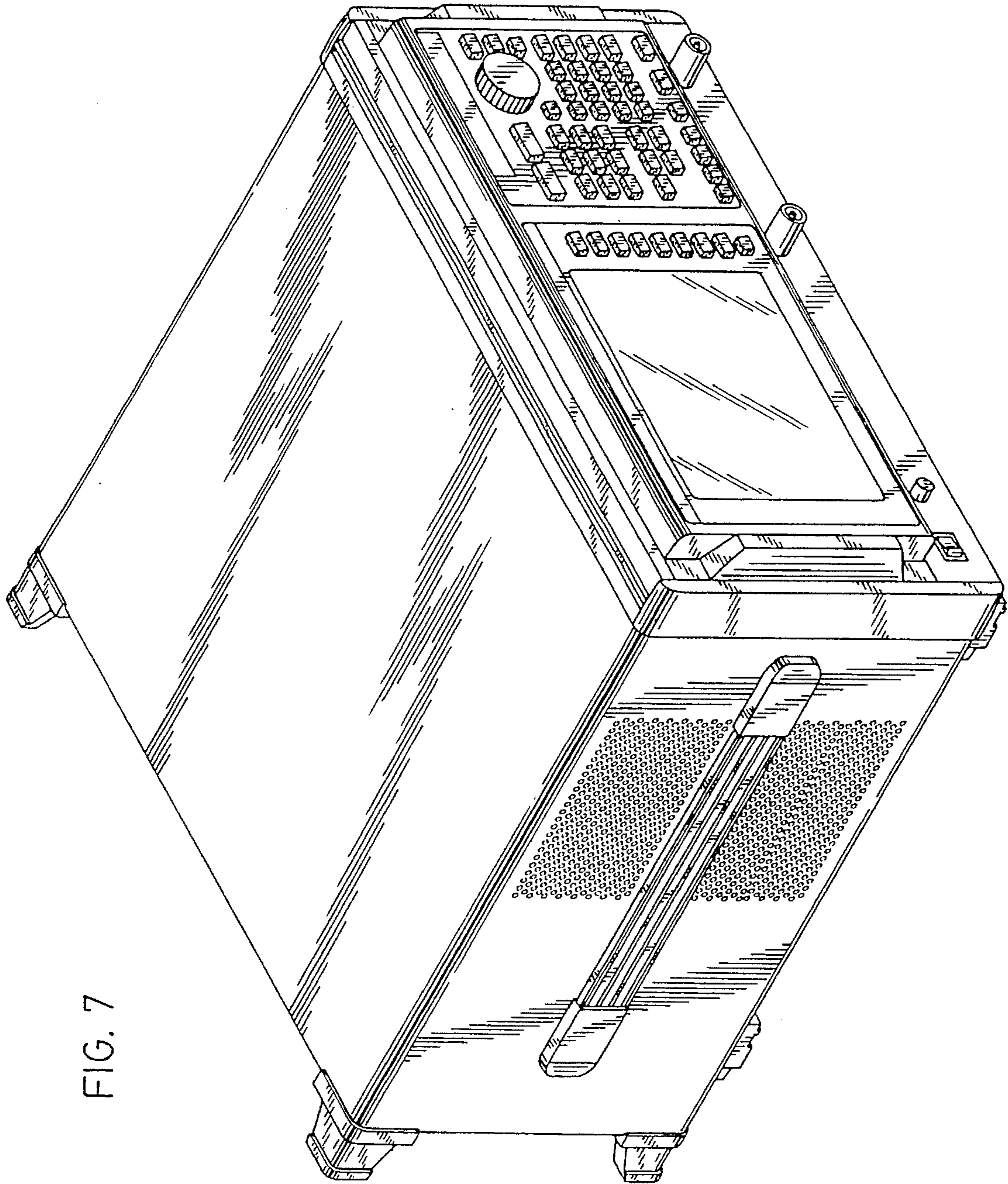


FIG. 7

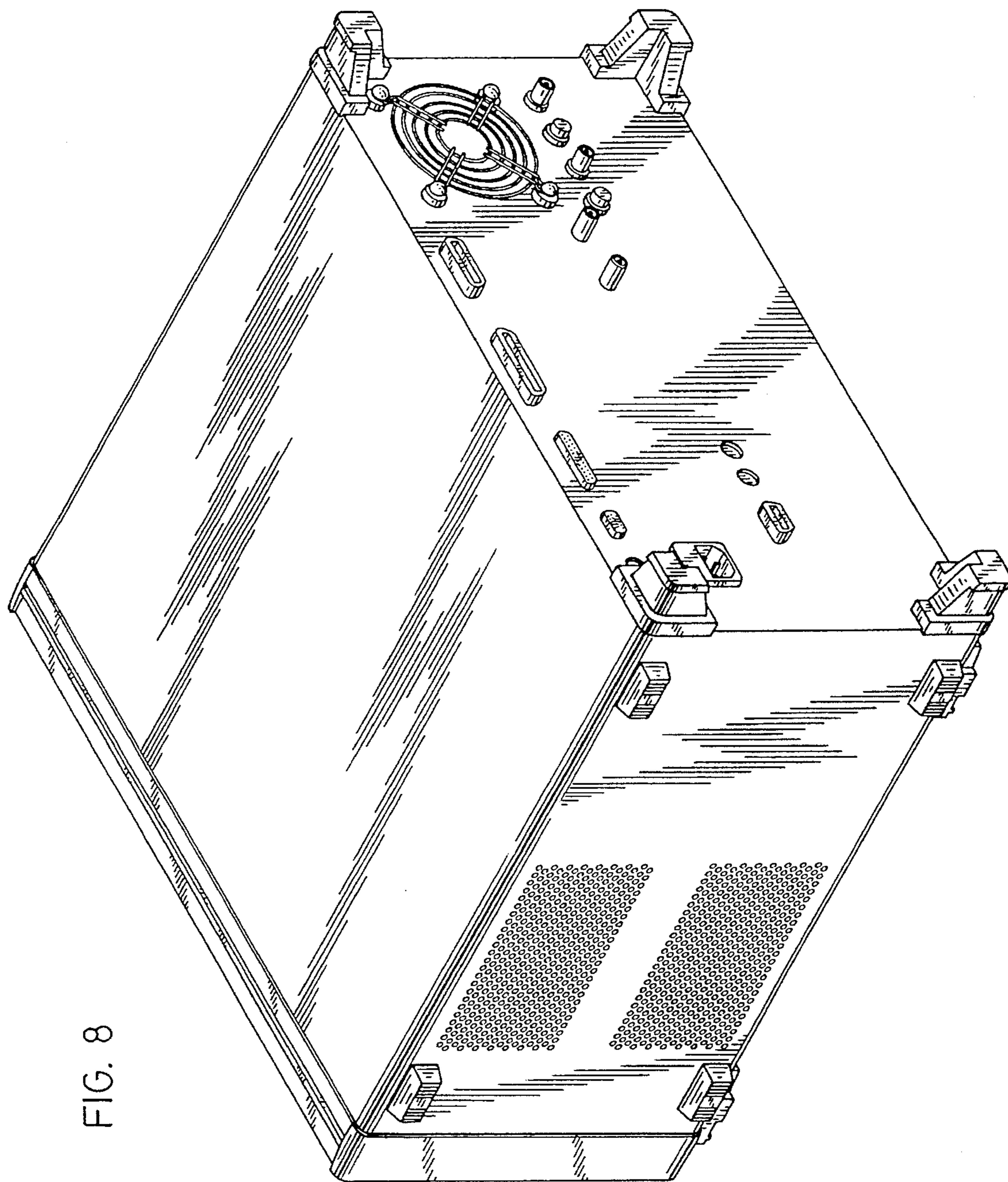


FIG. 8

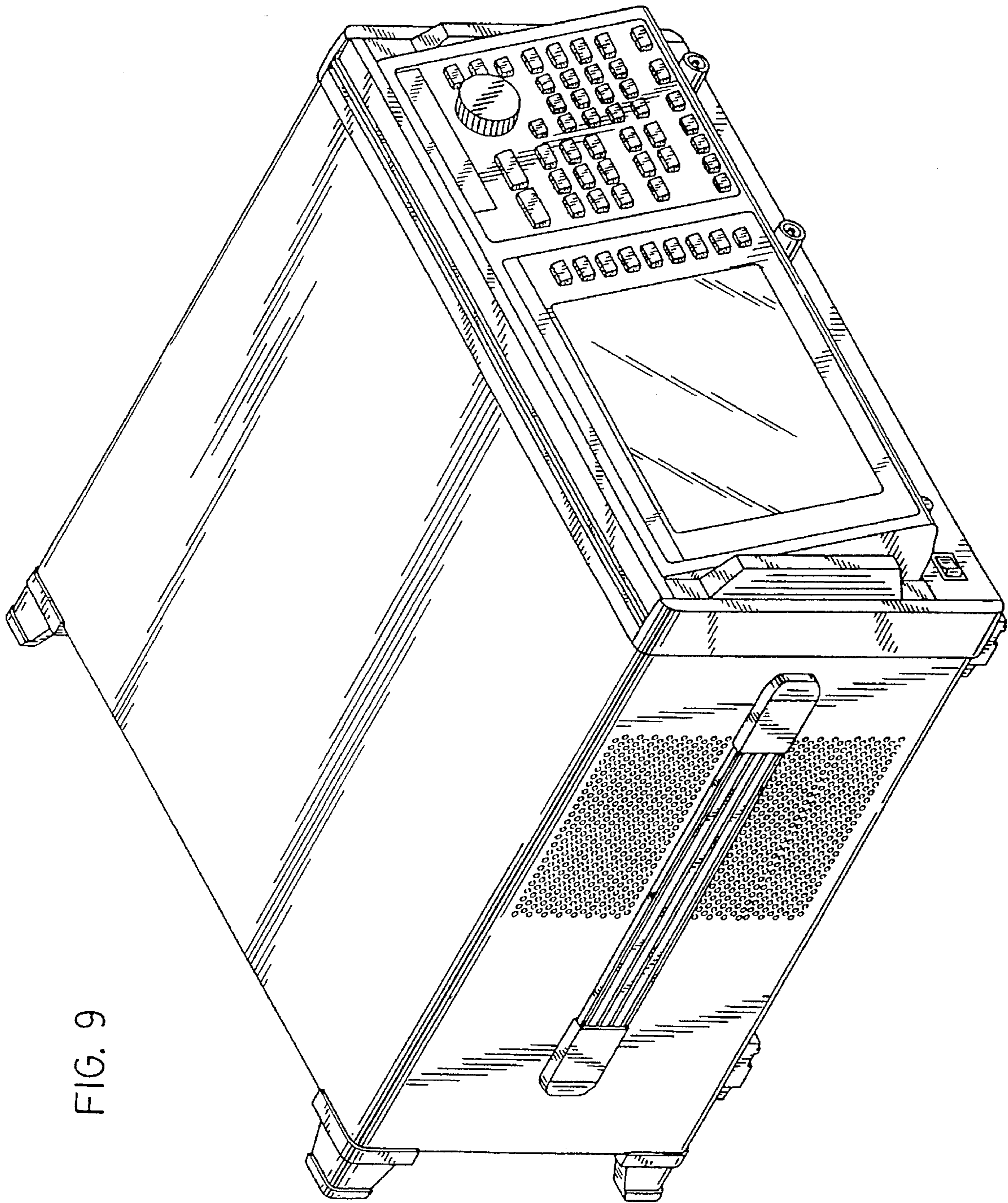


FIG. 9

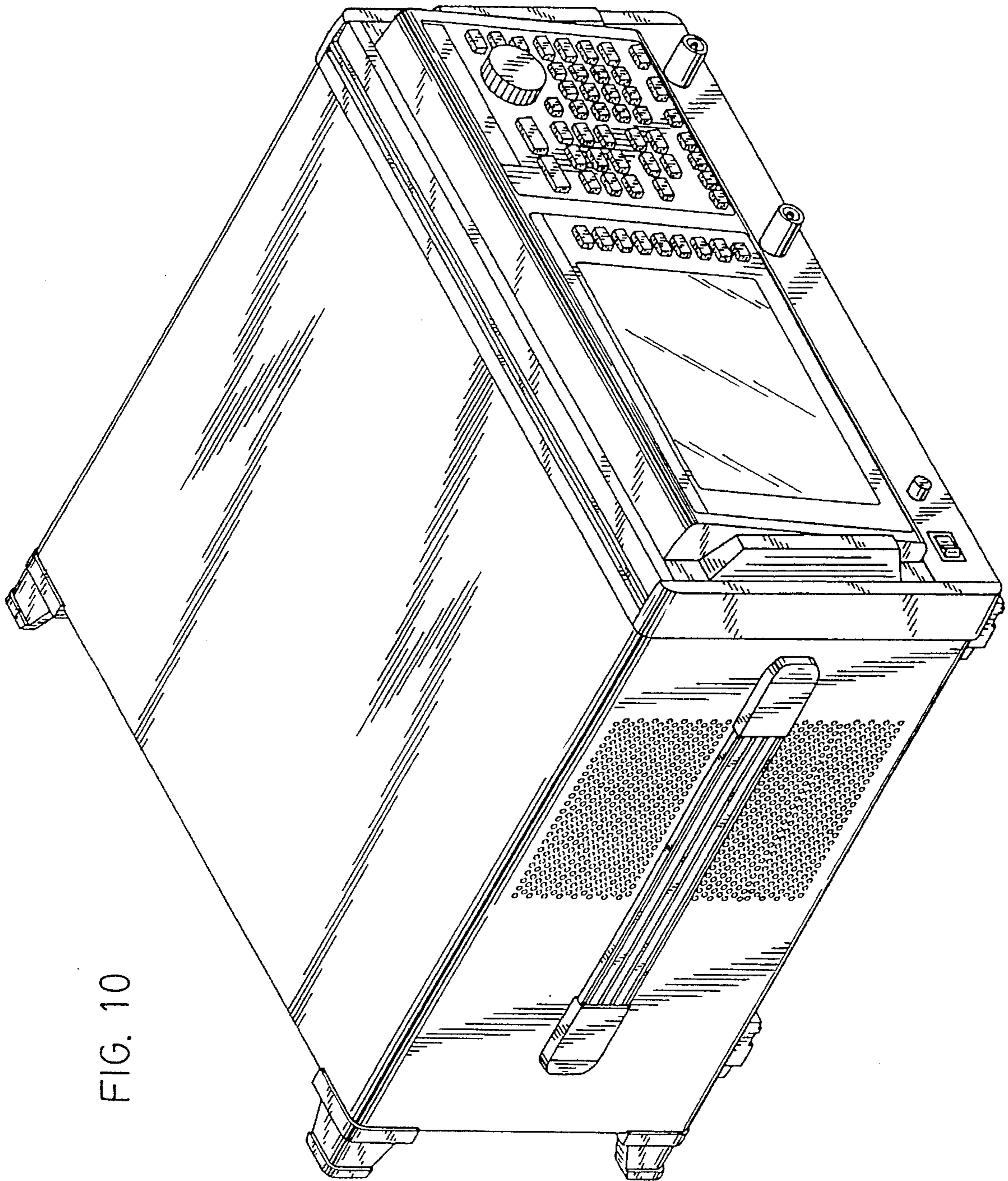


FIG. 10