



US00D377318S

United States Patent [19]

[11] Patent Number: **Des. 377,318**

Ishii

[45] Date of Patent: ****Jan. 14, 1997**

[54] **SURVEYING APPARATUS THAT RECEIVES A LASER BEAM**

[75] Inventor: **Mitsuo Ishii**, Tokyo, Japan

[73] Assignee: **Kabushiki Kaisha Topcon**, Tokyo, Japan

[**] Term: **14 Years**

[21] Appl. No.: **48,776**

[22] Filed: **Dec. 14, 1995**

[52] U.S. Cl. **D10/66**

[58] Field of Search D10/66; 33/276, 33/277, 293, DIG. 21; 250/206.2, 208.2, 214 B; 356/5.06, 28, 400, 138, 142, 3.01, 141.1, 141.4, 399; 368/120

[56] **References Cited**

U.S. PATENT DOCUMENTS

5,198,868 3/1993 Saito et al. 356/142

Primary Examiner—Antoine Duval Davis
Attorney, Agent, or Firm—Reid & Priest L.L.P.

[57] **CLAIM**

The ornamental design for a surveying apparatus that receives a laser beam, as shown.

DESCRIPTION

FIG. 1 is an upper, left perspective view of a surveying apparatus that receiving a laser beam embodied in accordance with my design;
FIG. 2 is a rear, left perspective view of the surveying apparatus of which a lock is released;
FIG. 3 is a front view thereof;
FIG. 4 is a rear view thereof;
FIG. 5 is a top plan view thereof;
FIG. 6 is a bottom view thereof;
FIG. 7 is a left side view thereof;
FIG. 8 is a right side view thereof;
FIG. 9 is a top plan view thereof which the lock is released;
FIG. 10 is a cross section along a line 10—10 in FIG. 3 but an inside constitution is not shown; and,
FIG. 11 is a referential, top plan view thereof which is mounted on a pole.

1 Claim, 4 Drawing Sheets

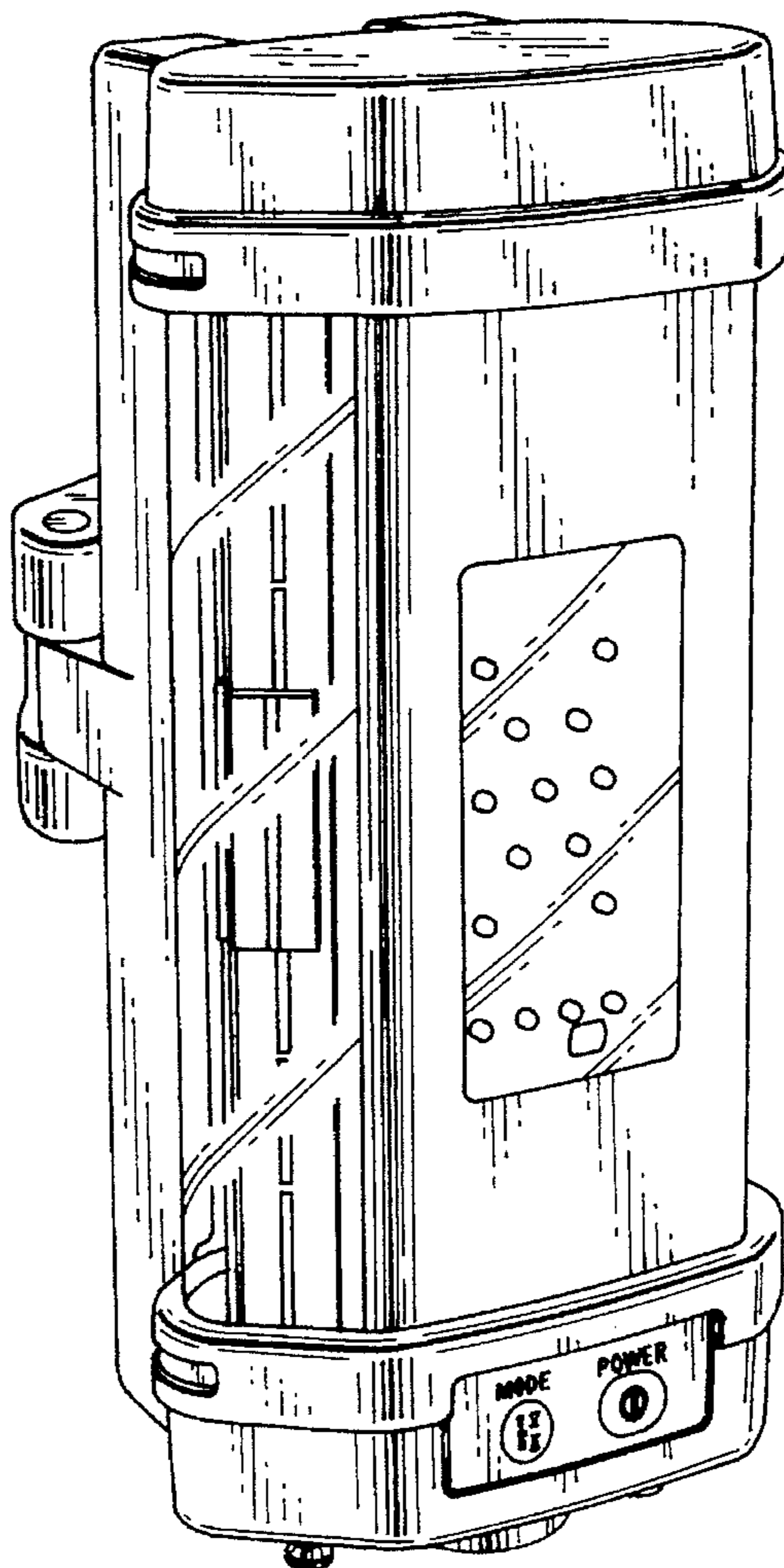


FIG. 2

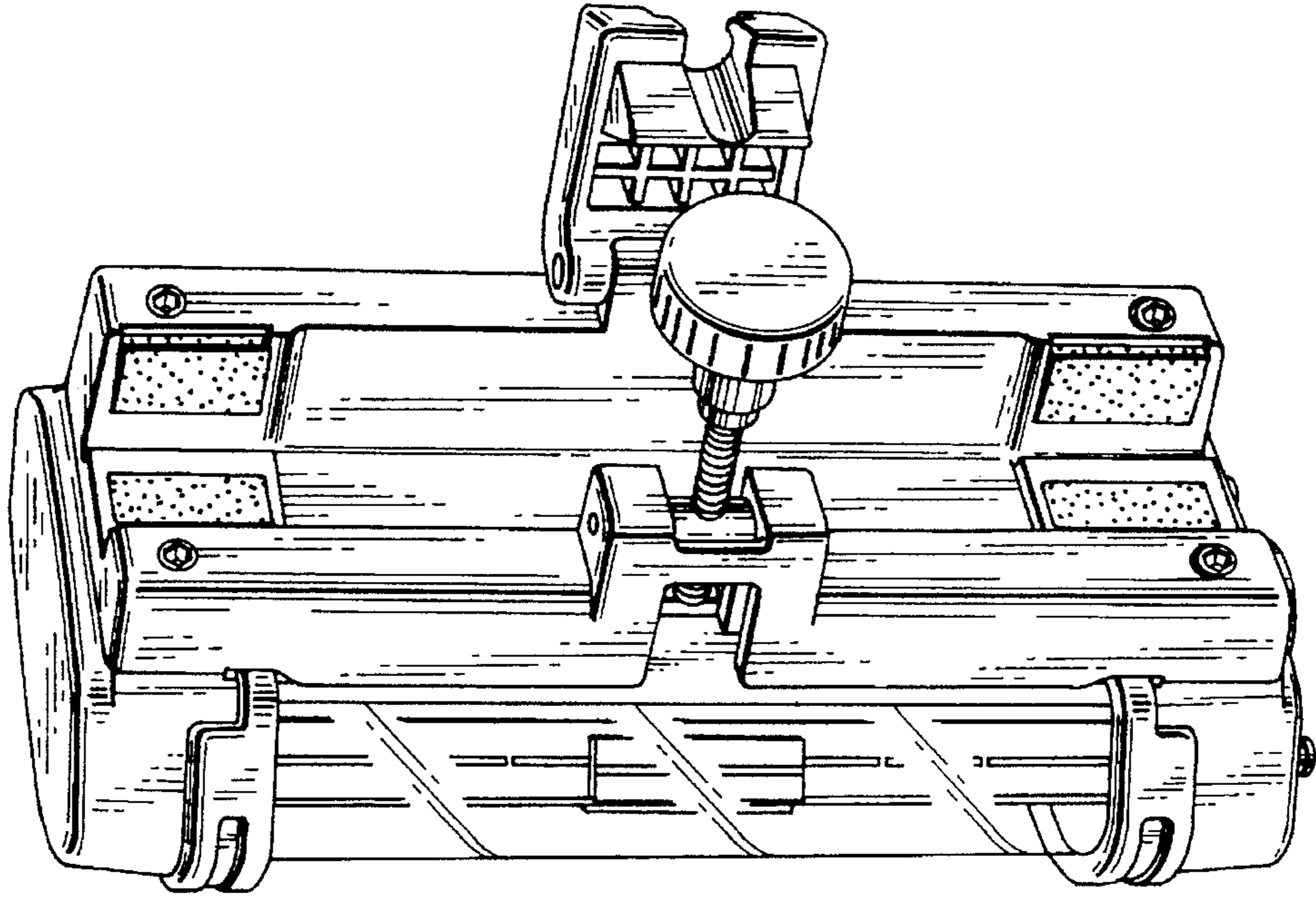


FIG. 1

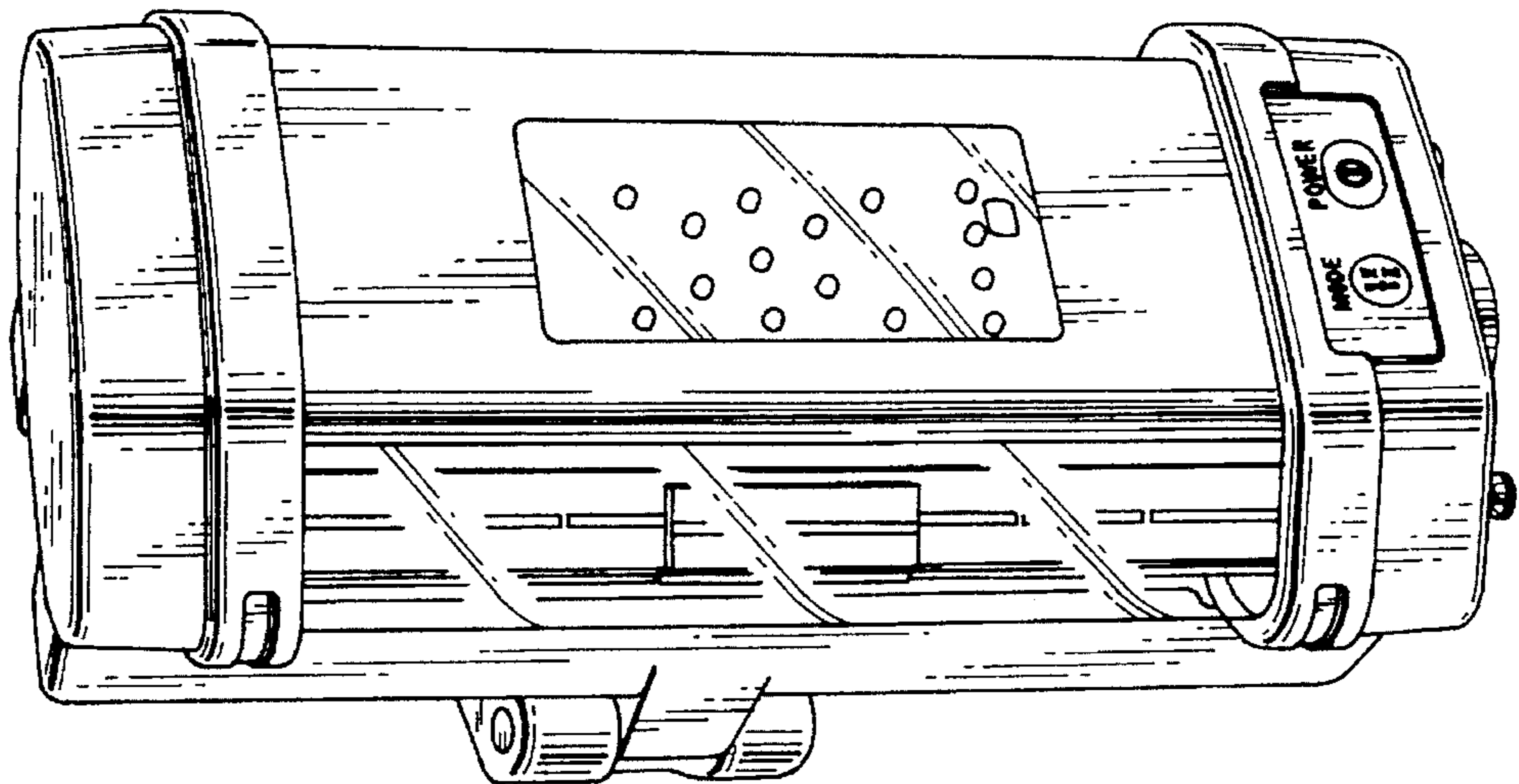


FIG. 3

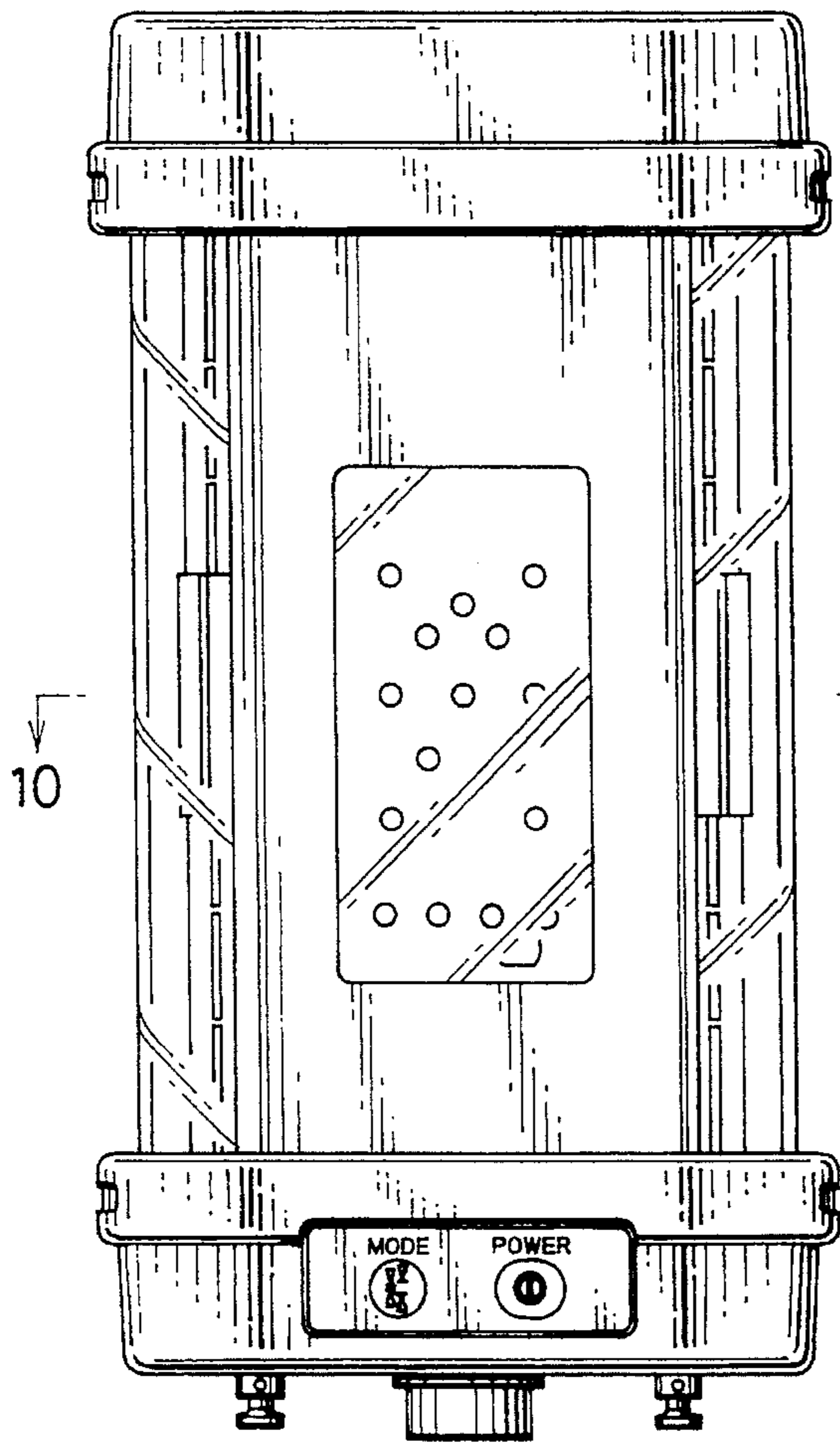


FIG. 4

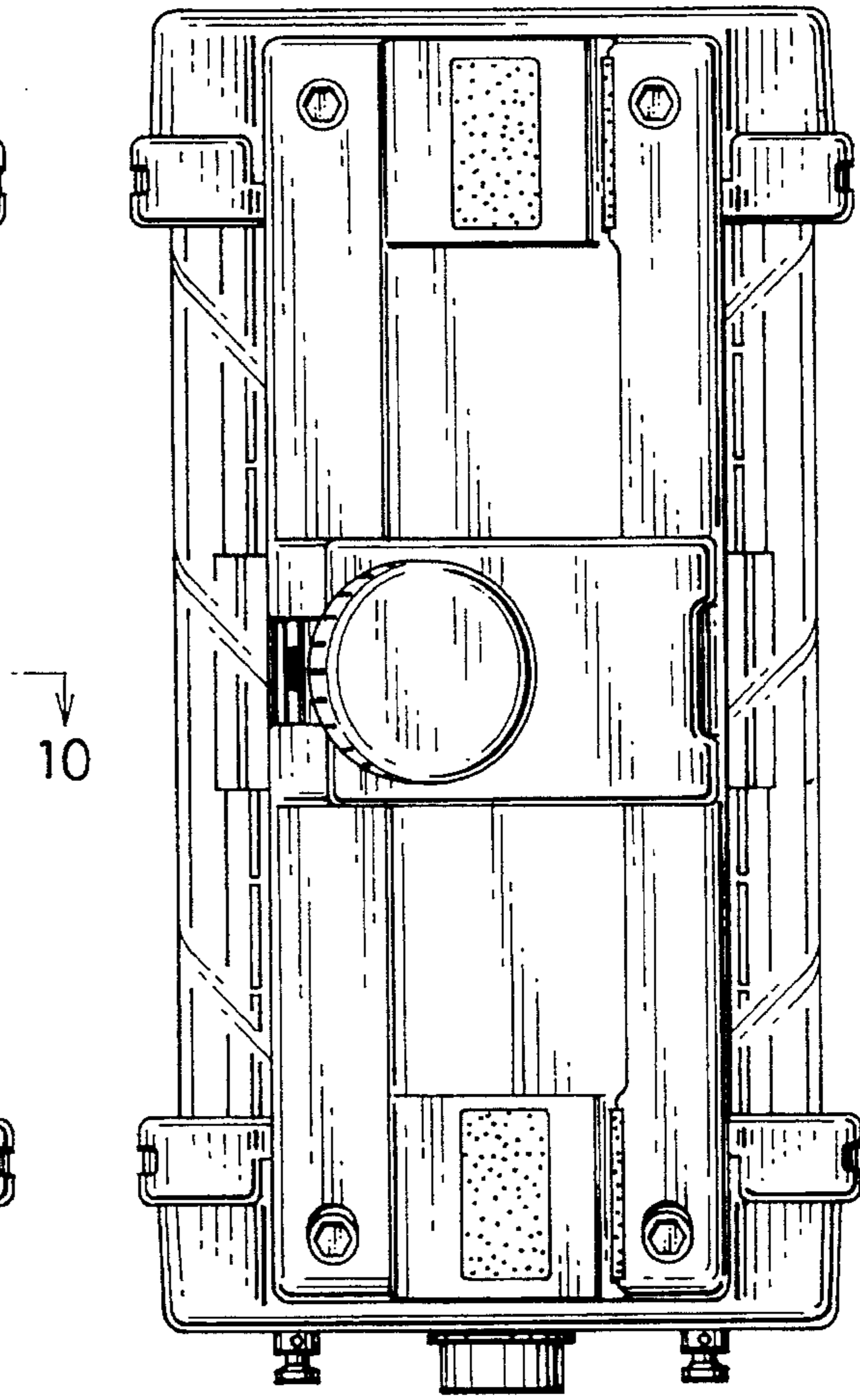


FIG. 5

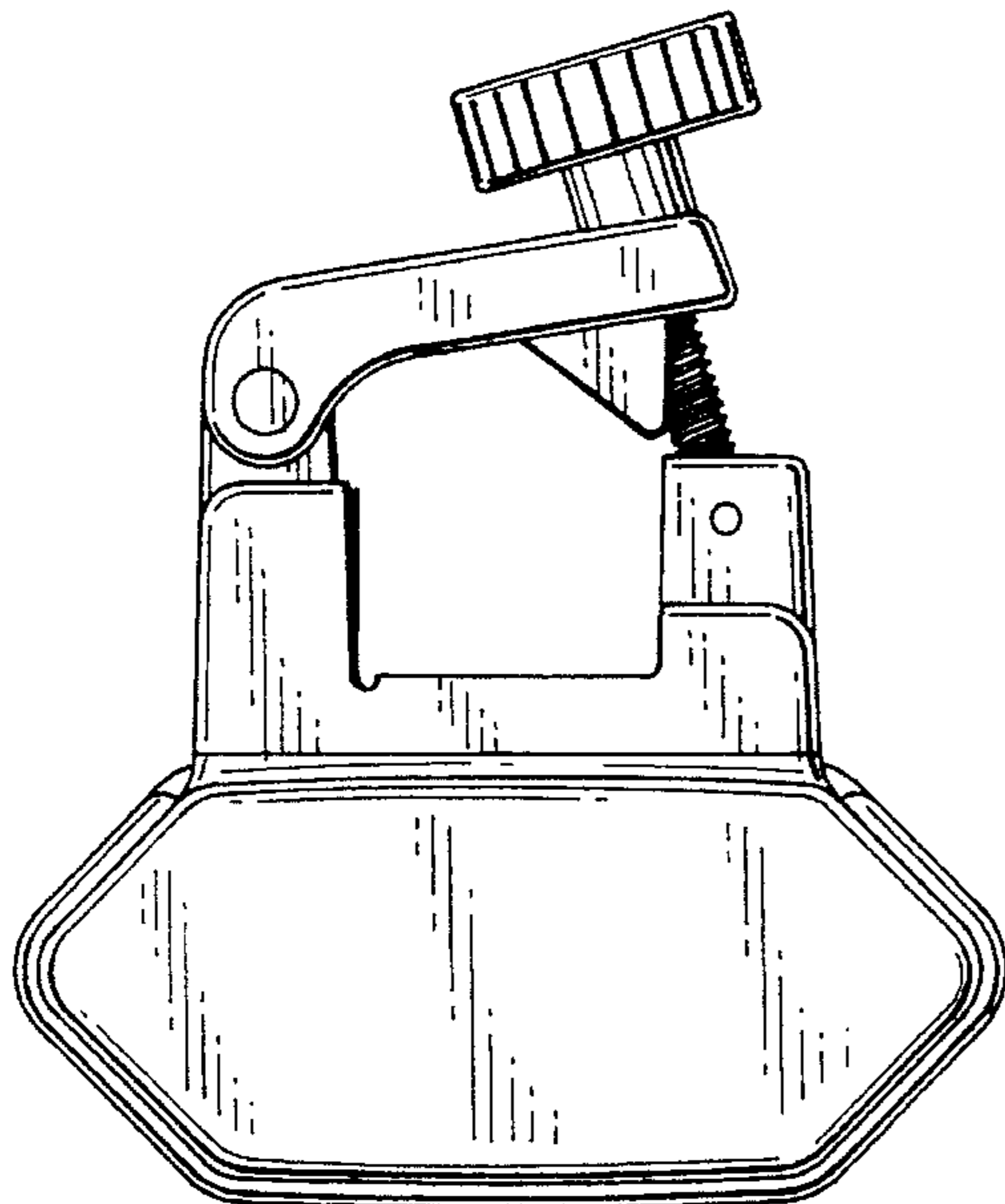


FIG. 6

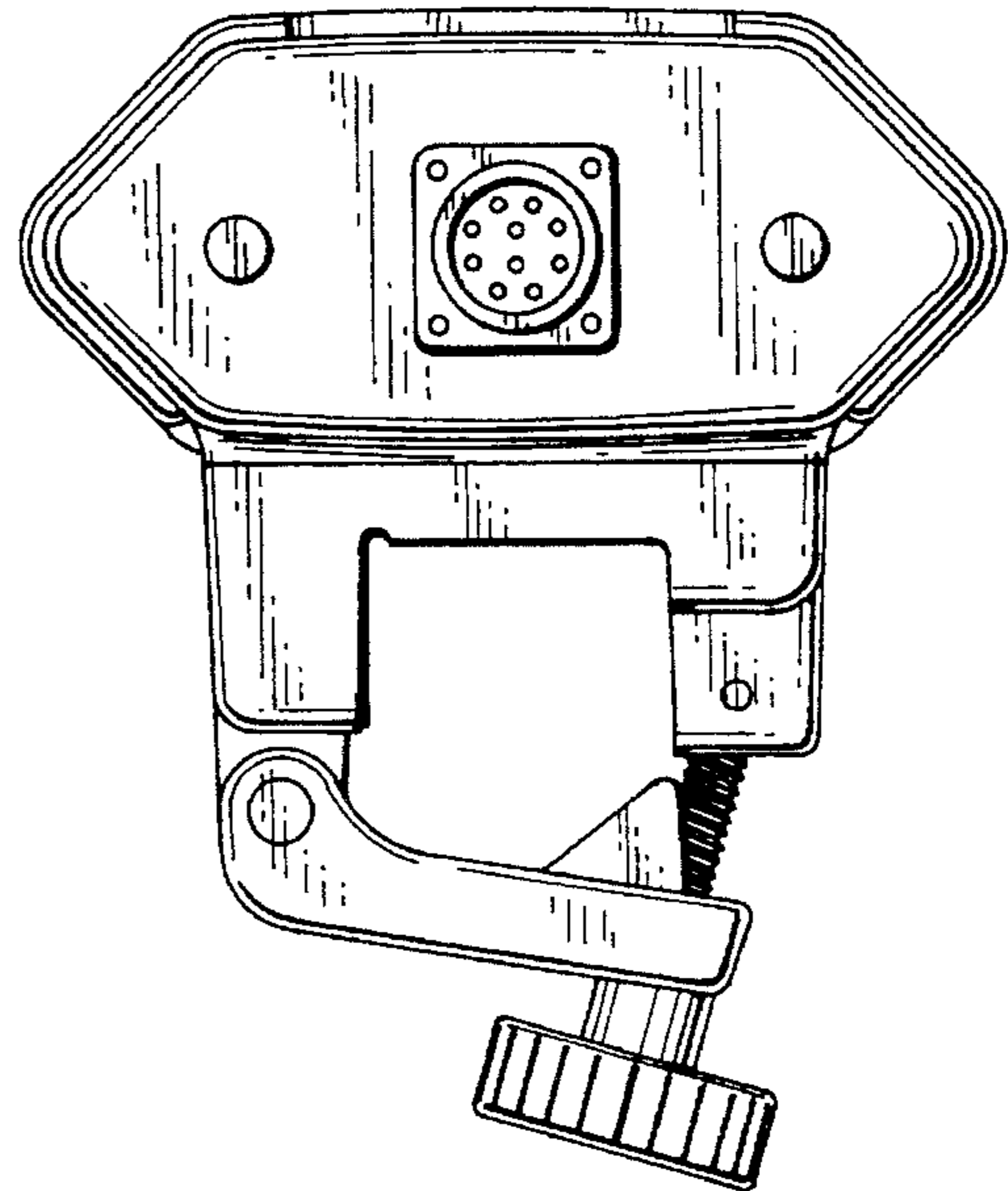


FIG. 8

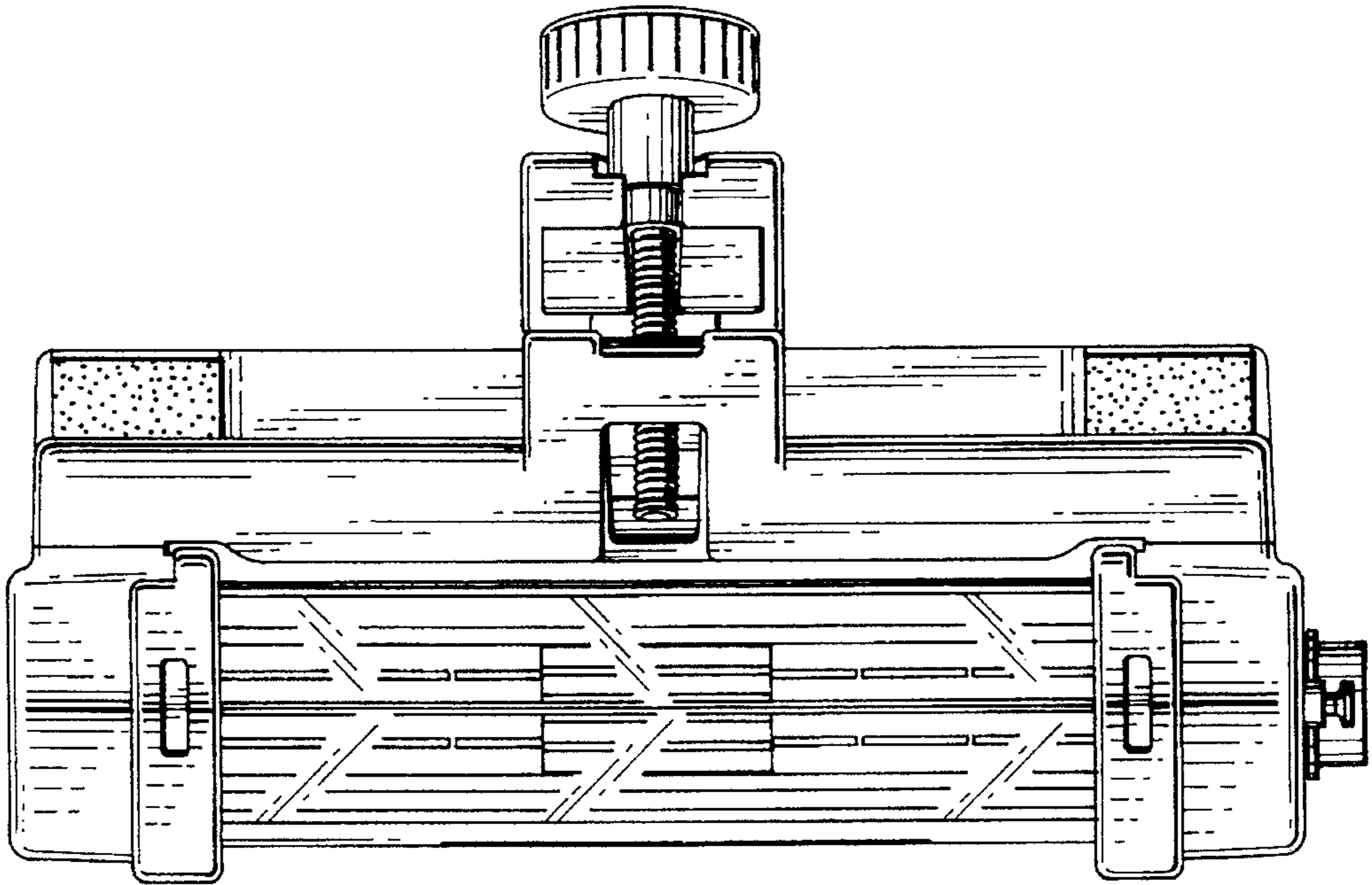


FIG. 7

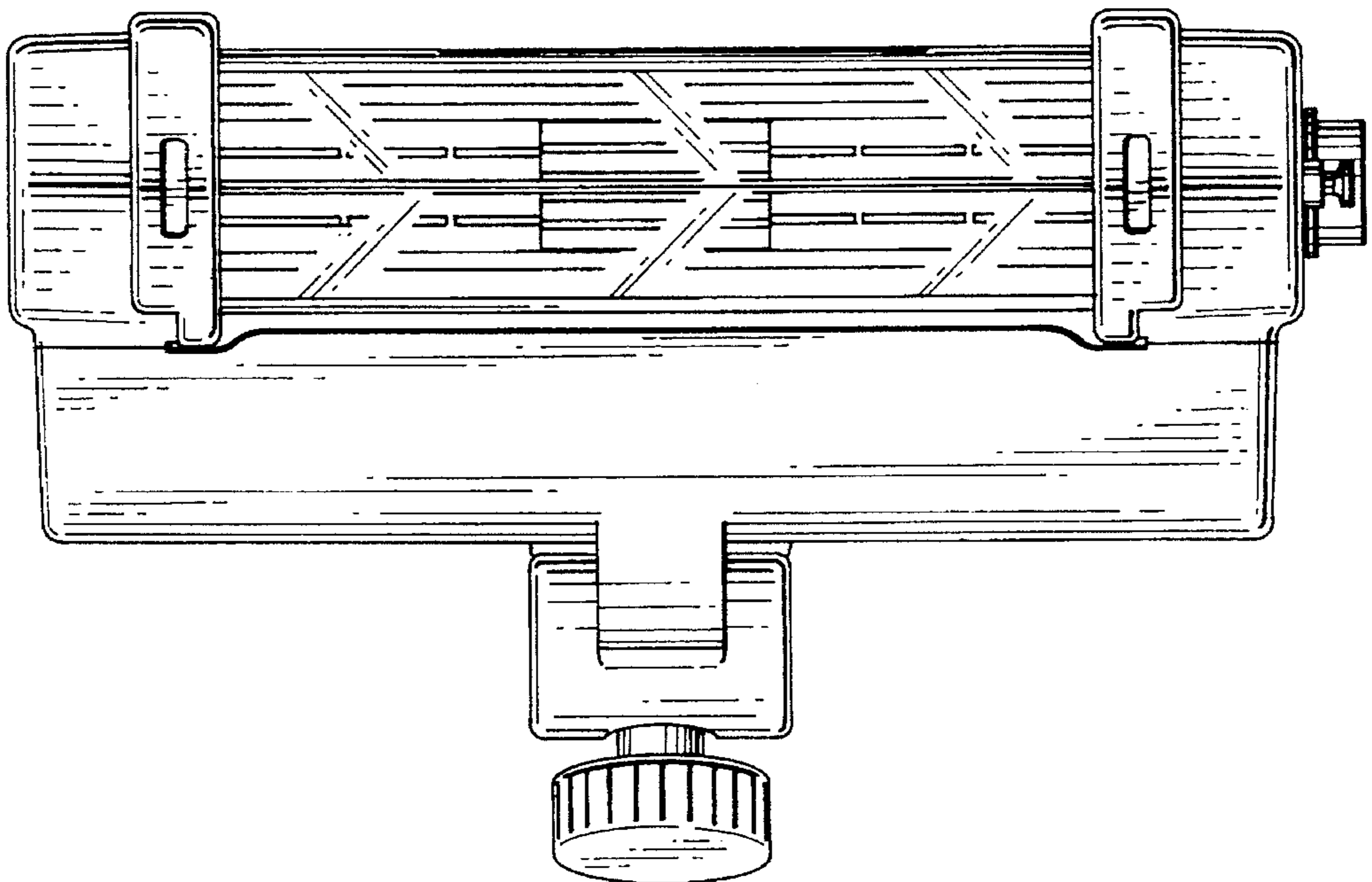


FIG. 9

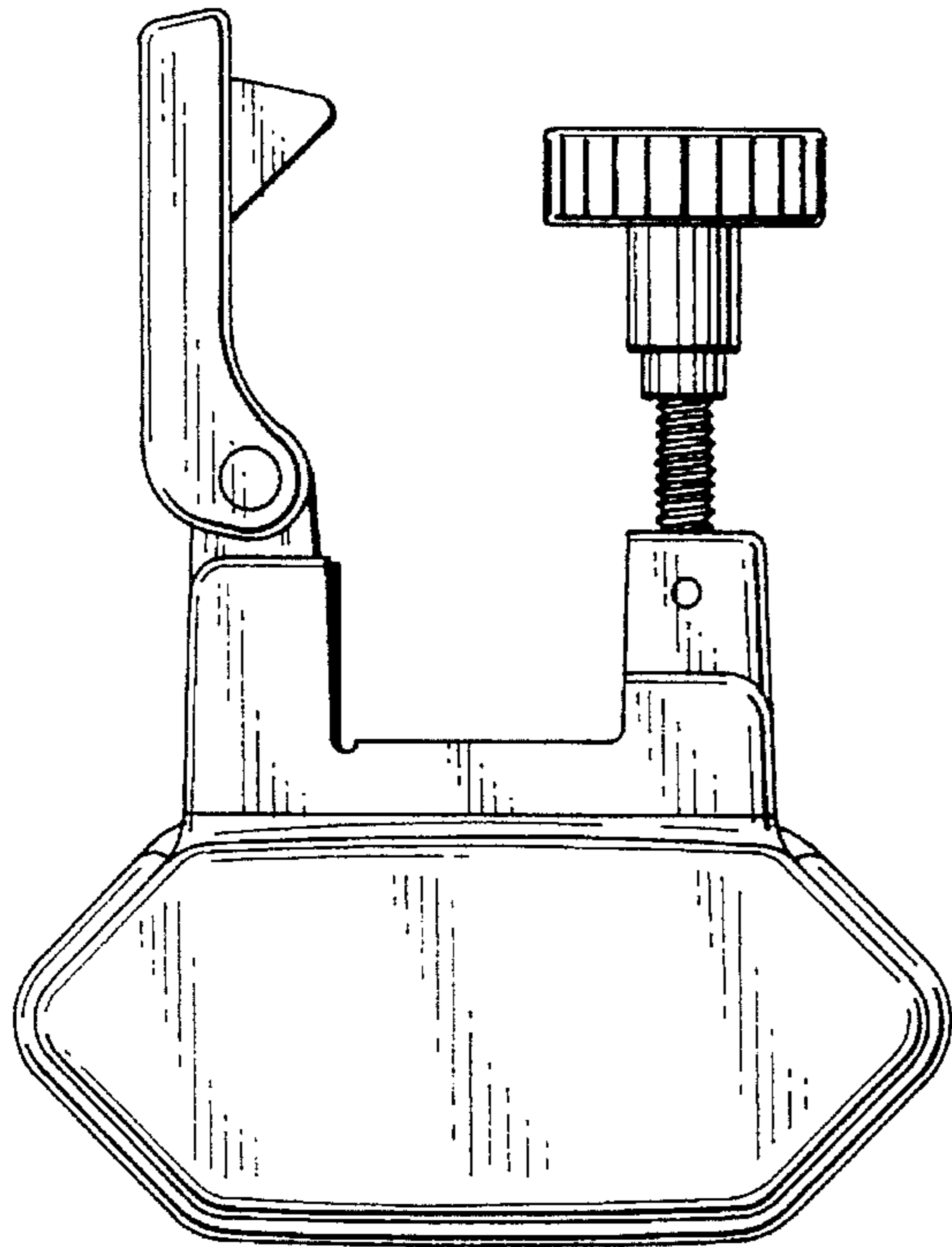


FIG. 11

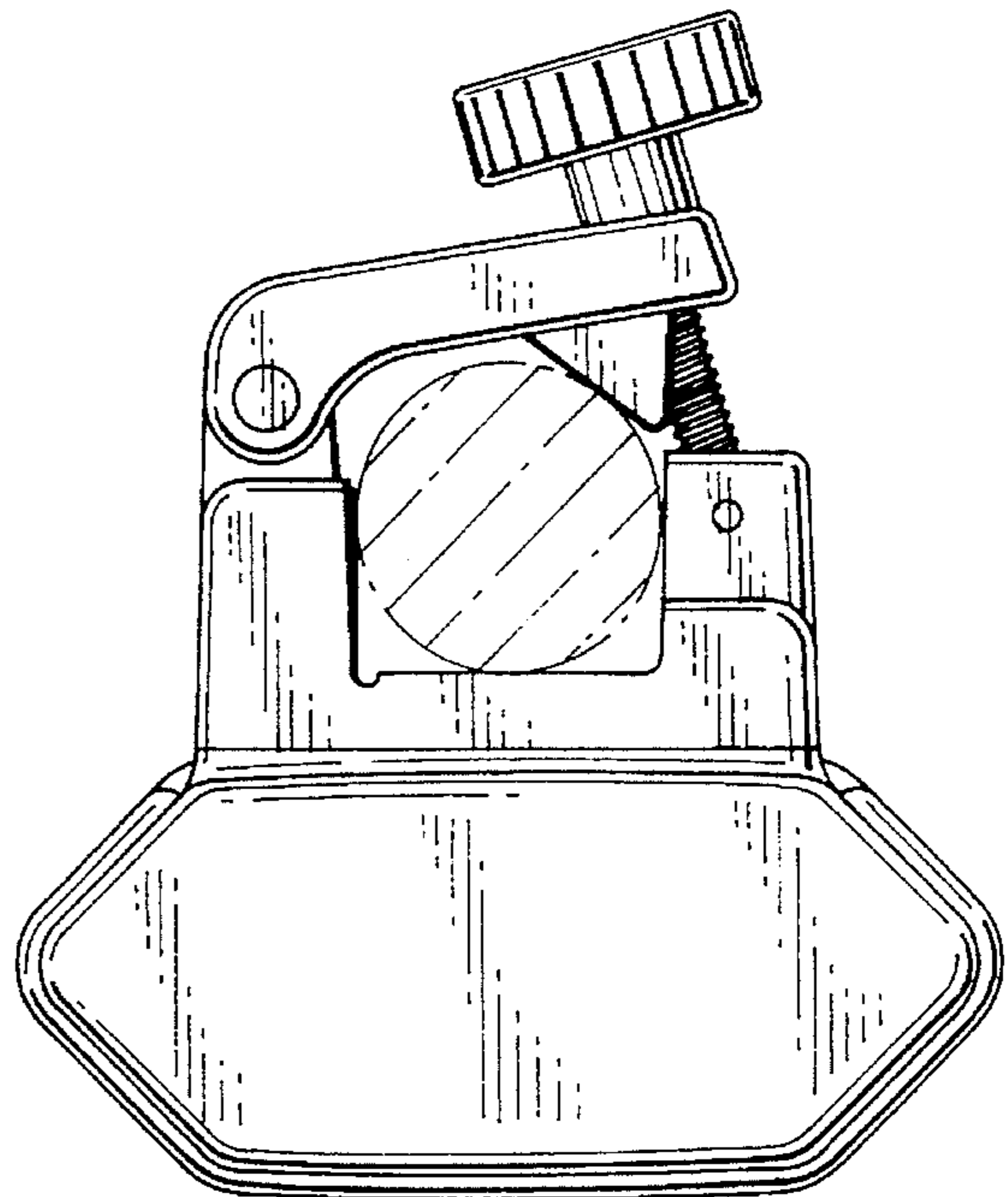


FIG. 10

