



US00D377317S

United States Patent [19] Hartwein

[11] **Patent Number:** **Des. 377,317**
[45] **Date of Patent:** ****Jan. 14, 1997**

[54] **THERMOMETER**

[75] **Inventor:** **Peter Hartwein**, Kronberg, Germany

[73] **Assignee:** **Braun Aktiengesellschaft**, Kronberg, Germany

[**] **Term:** **14 Years**

[21] **Appl. No.:** **49,729**

[22] **Filed:** **Jan. 30, 1996**

[30] **Foreign Application Priority Data**

Jul. 31, 1995 [DE] Germany M 95 06 024.3

[52] **U.S. Cl.** **D10/57**

[58] **Field of Search** D10/57; 128/664, 128/736; 374/130-132, 158, 170, 288

[56] **References Cited**

U.S. PATENT DOCUMENTS

- D. 236,254 8/1975 Ray D10/57
- D. 330,681 11/1992 Yamada et al. D10/57
- D. 337,954 8/1993 Makita et al. D10/57

- D. 338,163 8/1993 Atsumi et al. D10/57
- 5,159,936 11/1992 Yelderman et al. 128/736
- 5,167,235 12/1992 Seacord et al. 128/664
- 5,445,158 8/1995 Pompei 128/664
- 5,487,607 1/1996 Makita et al. 374/158

Primary Examiner—Antoine Duval Davis
Attorney, Agent, or Firm—Fish & Richardson, P.C.

[57] **CLAIM**

The ornamental design for a thermometer, as shown and described.

DESCRIPTION

FIG. 1 is a perspective right-side front elevational view of a thermometer, showing my design;
FIG. 2 is a front view of the appliance of FIG. 1;
FIG. 3 is a right-side view of the appliance of FIG. 2;
FIG. 4 is a left-side view of the appliance of FIG. 2;
FIG. 5 is a rear view of the appliance of FIG. 2;
FIG. 6 is a top plan view of the appliance of FIG. 2; and,
FIG. 7 is a bottom plan view of the appliance of FIG. 2.

1 Claim, 3 Drawing Sheets

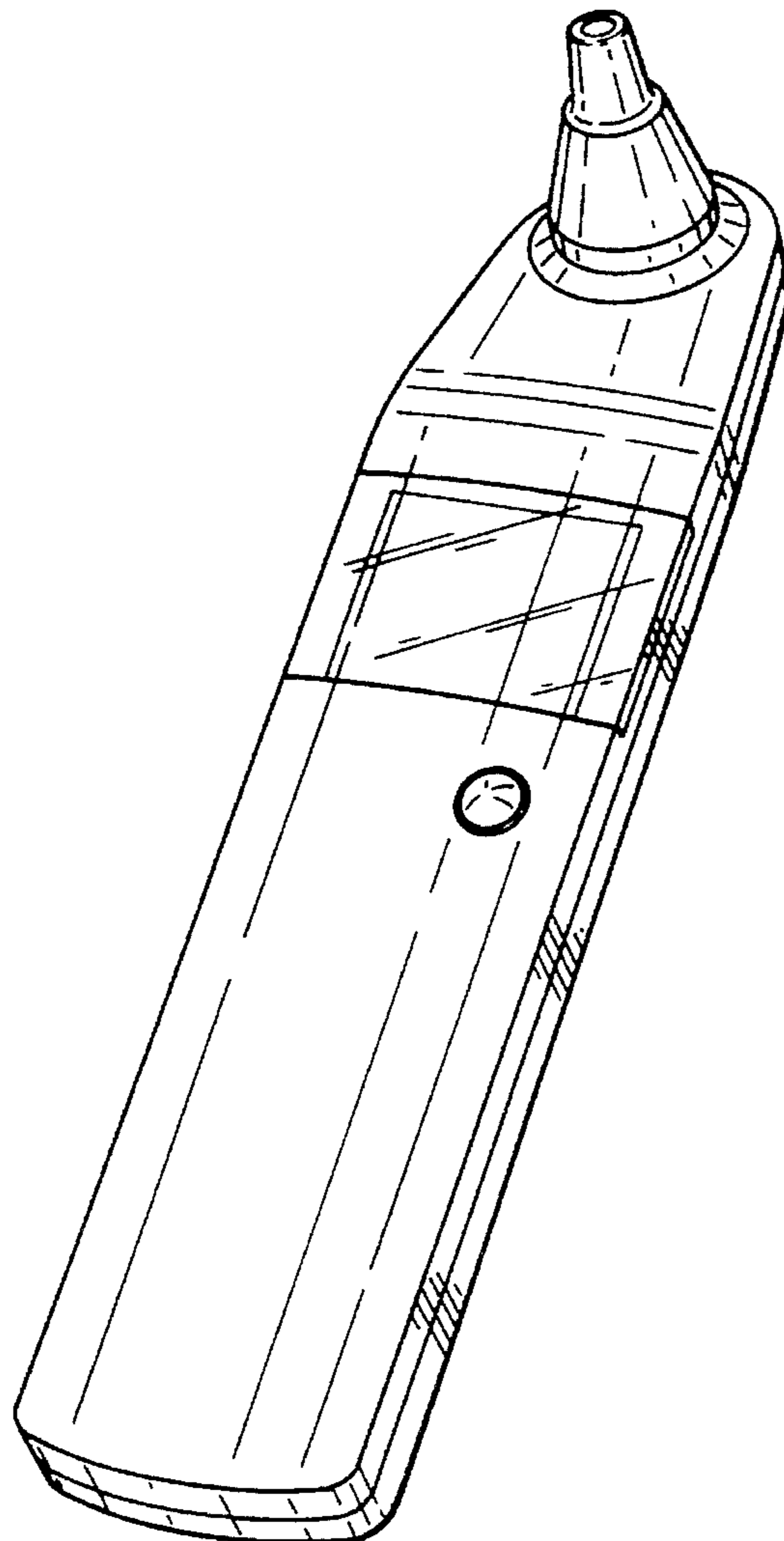
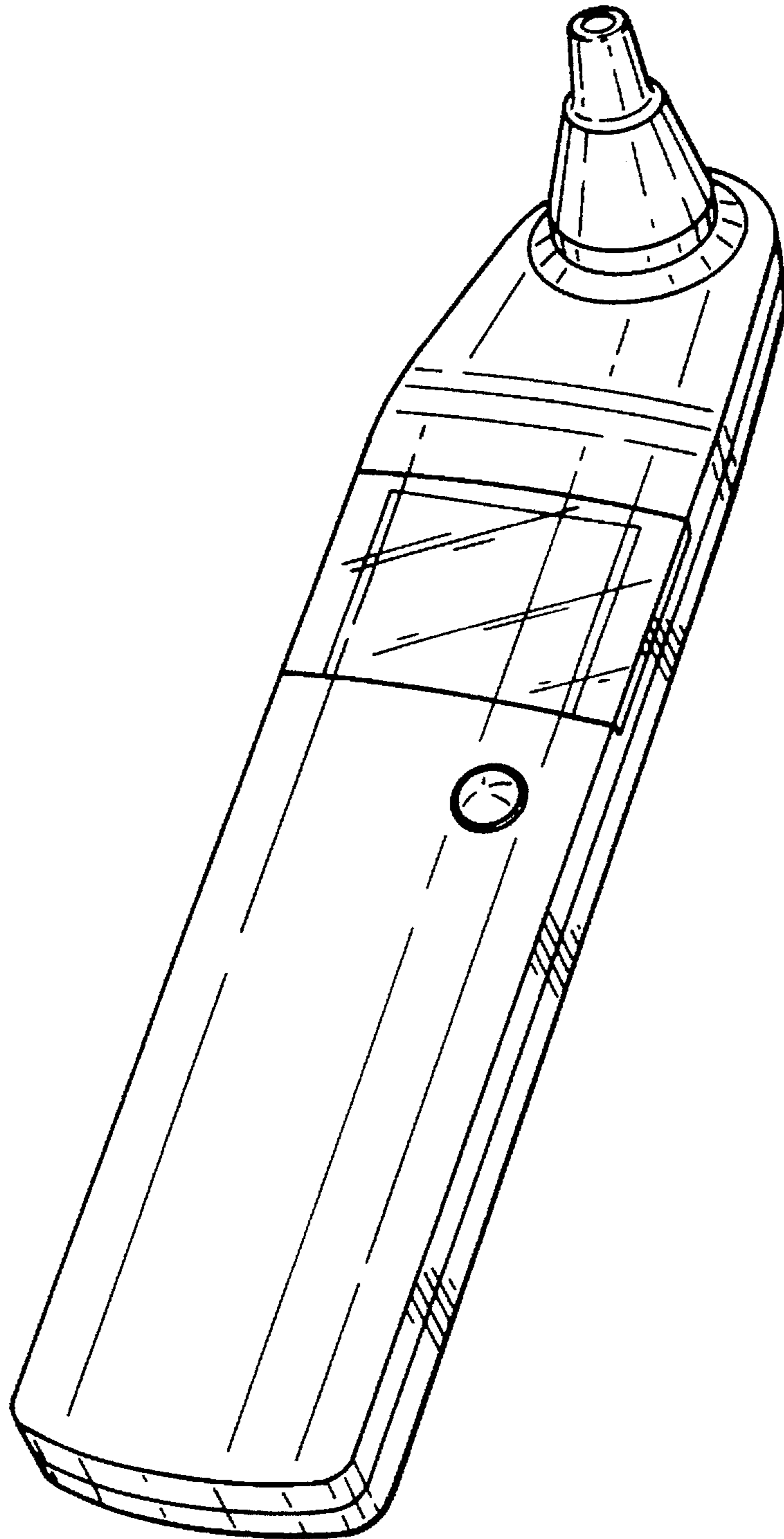


Fig. 1



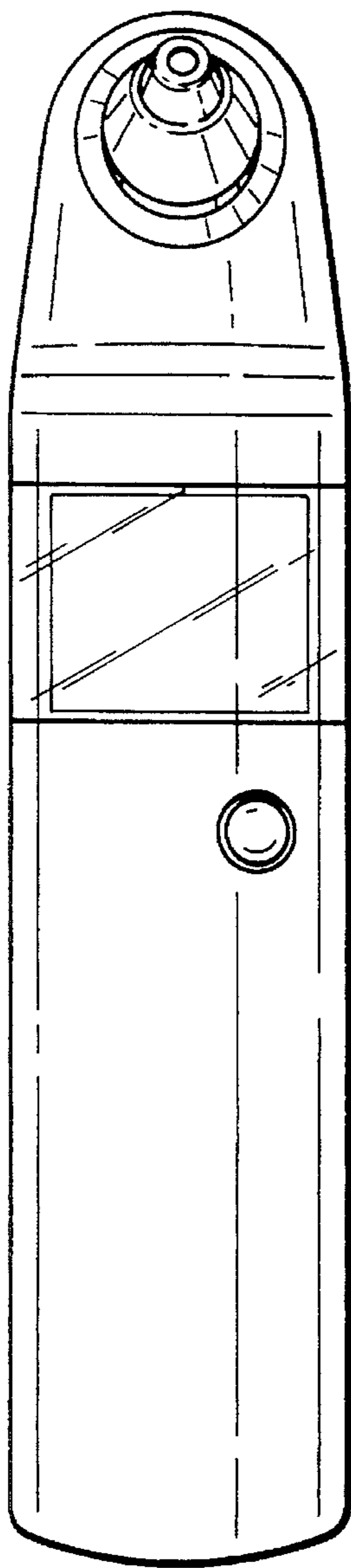


Fig. 2

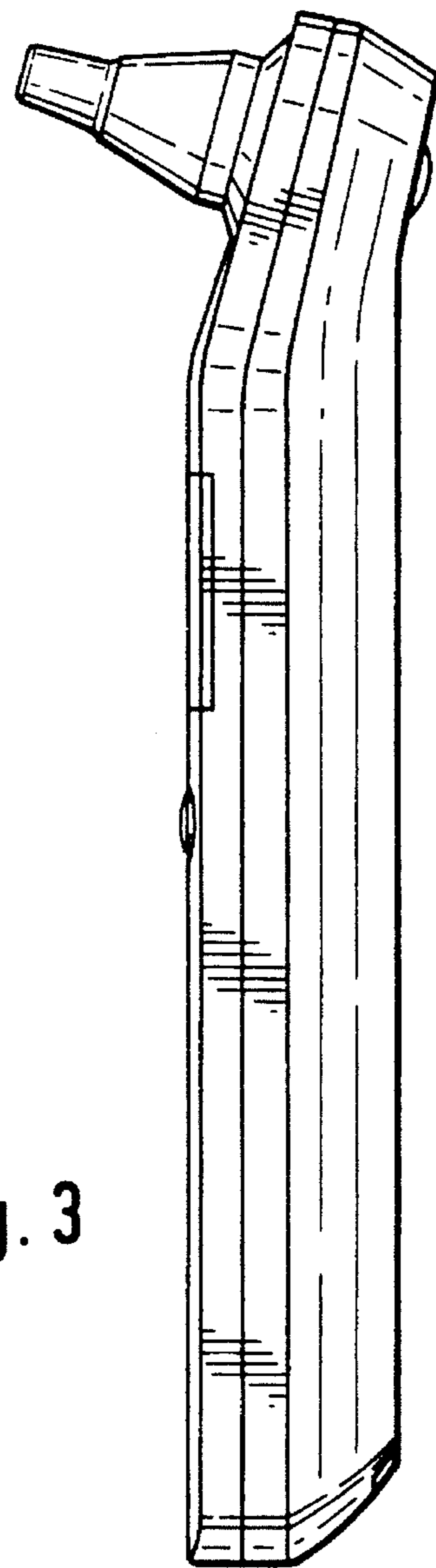


Fig. 3

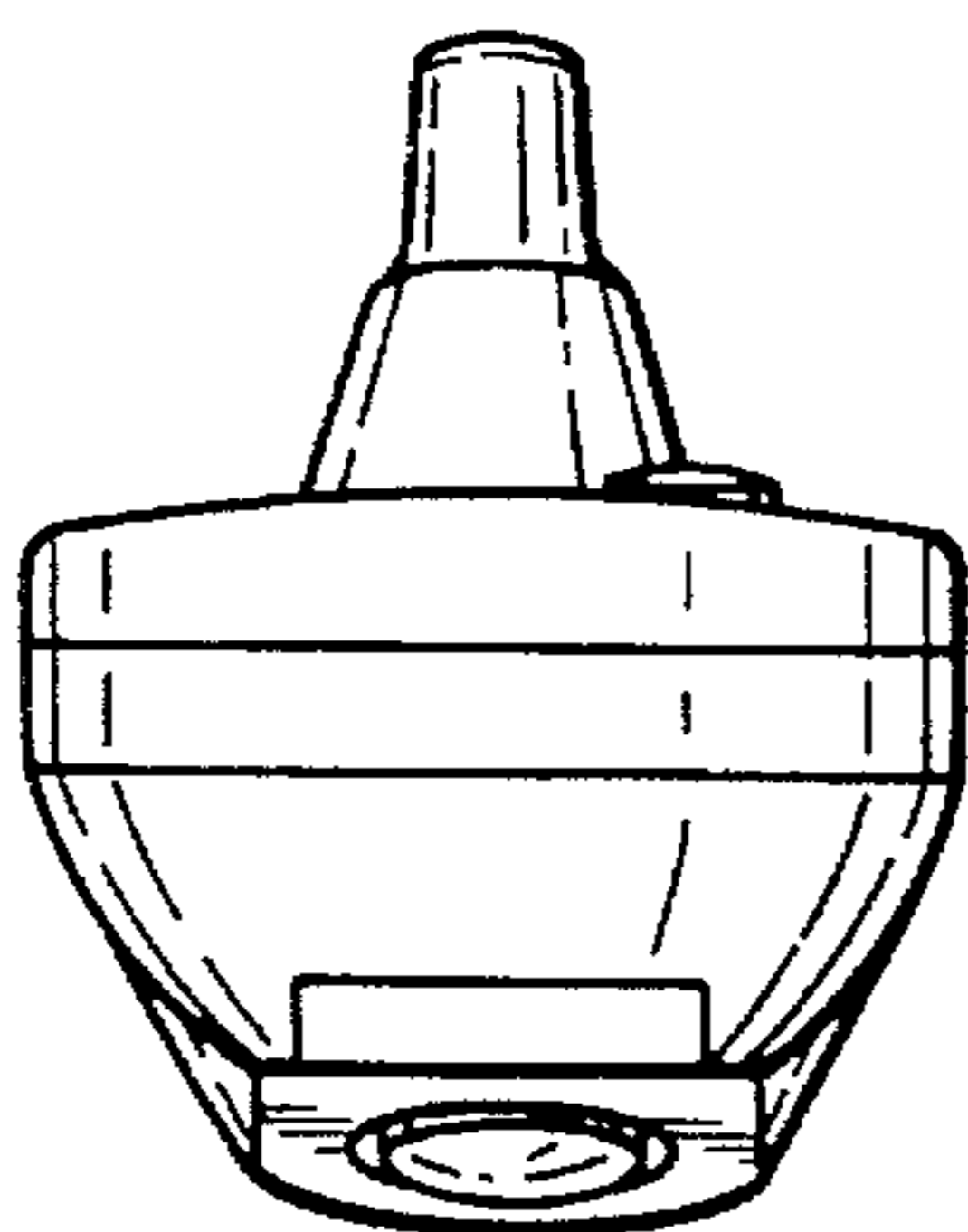


Fig. 7

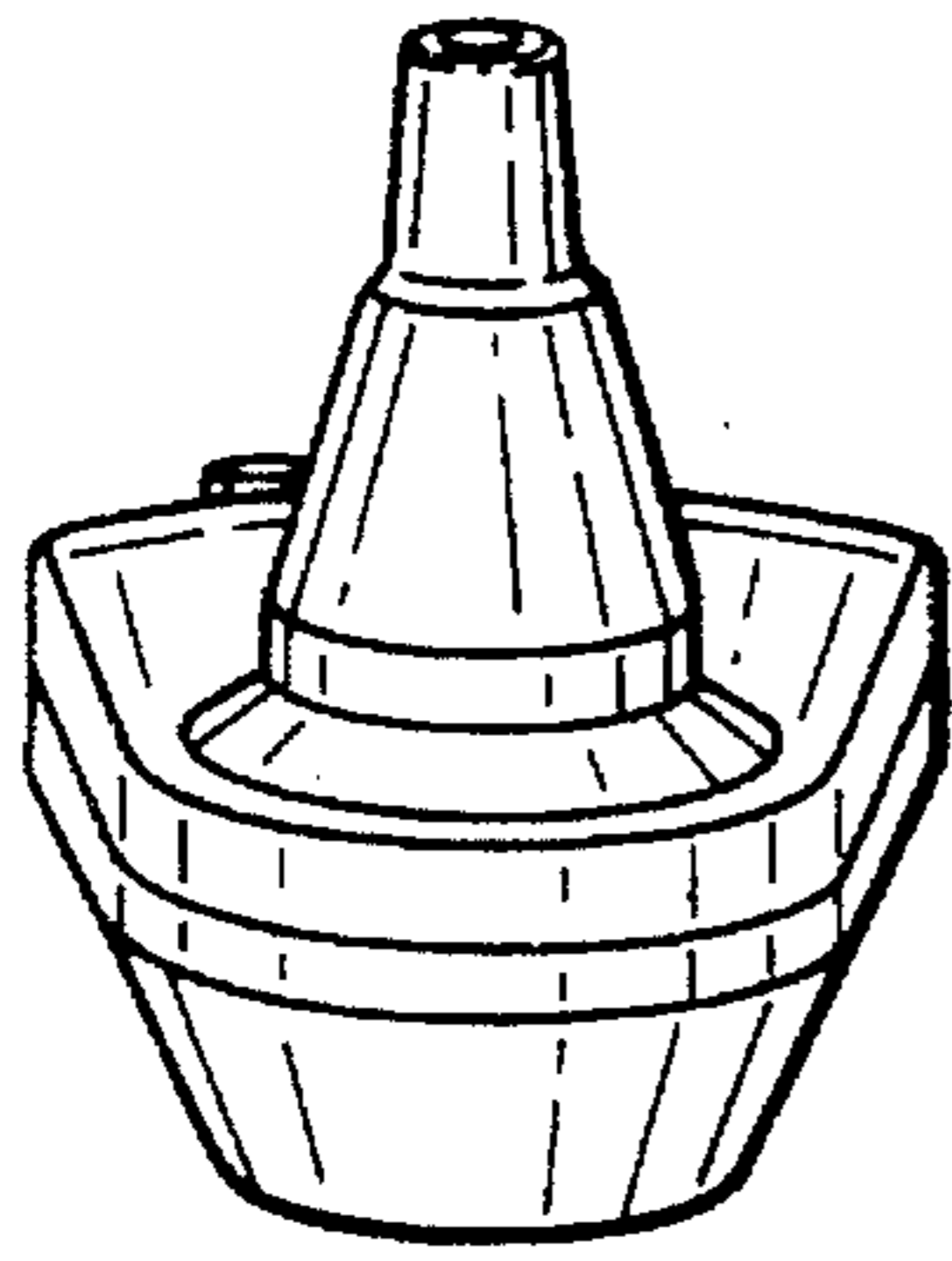


Fig. 6

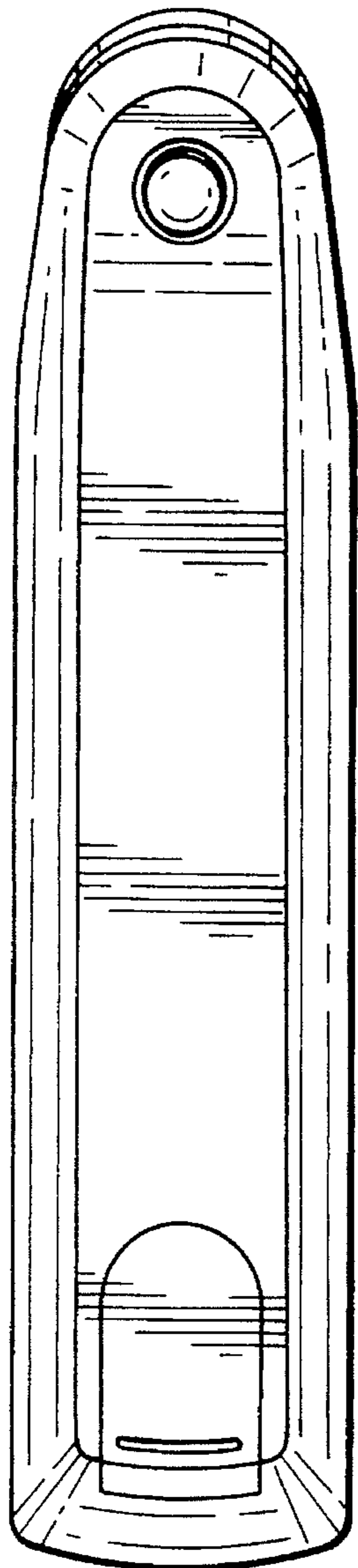


Fig. 5

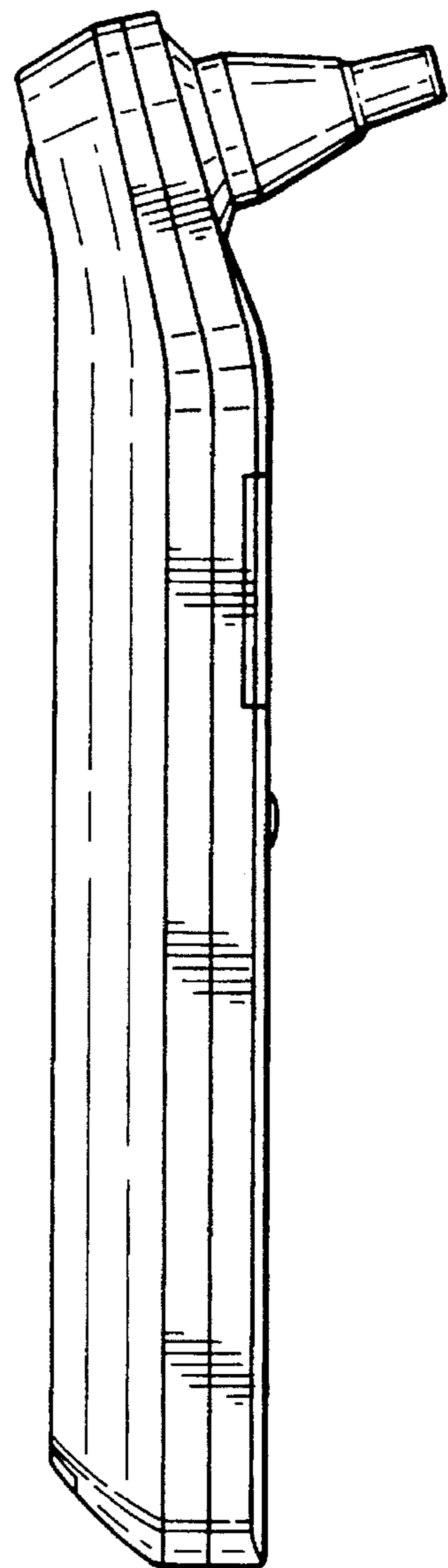


Fig. 4