



US00D377310S

# United States Patent [19]

[11] Patent Number: **Des. 377,310**

**Crump, Jr.**

[45] Date of Patent: **\*\*Jan. 14, 1997**

[54] **TOOL HOLDER**

[76] Inventor: **Jim C. Crump, Jr.**, 217 Leandro St.,  
Anaheim Hills, Calif. 92807

[\*\*] Term: **14 Years**

[21] Appl. No.: **46,924**

[22] Filed: **Nov. 21, 1995**

D. 359,228	6/1995	Dunlap .....	D8/373
420,761	2/1890	Bettendorf .....	211/24
1,785,746	12/1930	Pilling .....	248/154
1,810,345	6/1931	Collins .....	211/23
1,936,664	11/1933	Fransosi .....	243/20
1,964,119	6/1934	Hendry .....	254/2
2,177,222	10/1939	Murphy .....	154/9
2,455,278	11/1948	Stewart et al. ....	248/158
2,481,041	9/1949	Teegarden .....	144/288
2,815,128	12/1957	Kauffman .....	211/24

### Related U.S. Application Data

[63] Continuation-in-part of Ser. No. 43,762, Sep. 12, 1995.

[52] U.S. Cl. .... **D8/373; D8/71**

[58] Field of Search ..... D8/71, 373; D15/133,  
D15/140; 211/24, 60.1, 69, 70.6; 248/218.4,  
219.2; D6/323, 400, 553, 569

*Primary Examiner*—James M. Gandy  
*Assistant Examiner*—Robert M. Spear  
*Attorney, Agent, or Firm*—John Edward Roethel

### [57] CLAIM

The ornamental design for a tool holder, as shown and described.

### DESCRIPTION

FIG. 1 is an isometric view of the tool holder showing my new design, with an air line attachment shown in broken lines. The broken line showing of the air line attachment is for illustrative purposes only and forms no part of the claimed design;

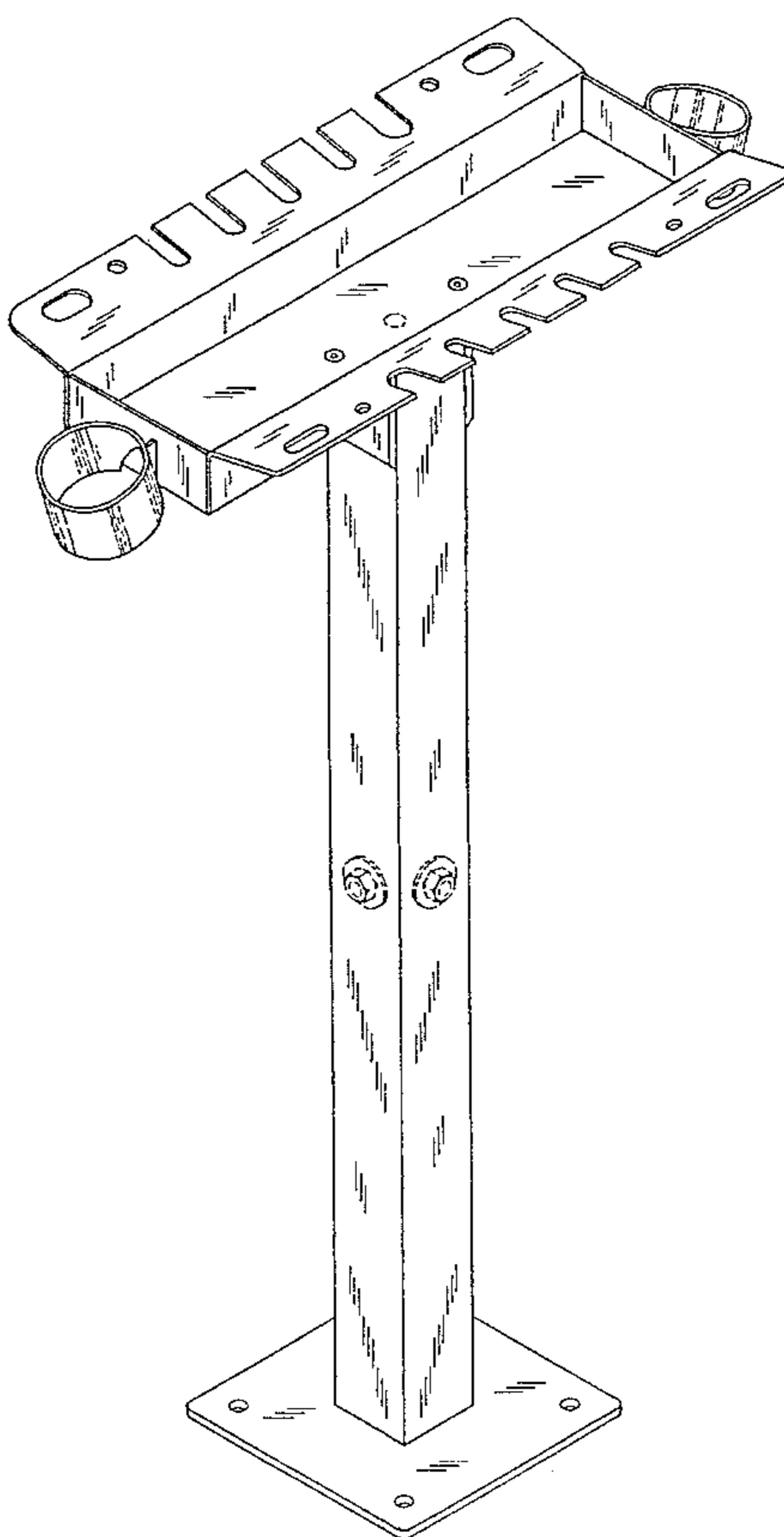
FIG. 2 is a front elevational view thereof;  
FIG. 3 is a rear elevational view thereof;  
FIG. 4 is a top plan view thereof;  
FIG. 5 is a bottom plan view thereof;  
FIG. 6 is a left elevational view thereof; and,  
FIG. 7 is a right elevational view thereof.

### [56] References Cited

#### U.S. PATENT DOCUMENTS

D. 140,291	2/1945	Nisenson .....	D8/373
D. 181,117	10/1957	Aquino .....	D8/373
D. 188,238	6/1960	Blum .....	D8/373
D. 192,849	5/1962	McEvoy .....	D8/373
D. 228,588	10/1973	Gruden .....	D8/71
D. 259,311	5/1981	Nordlund .....	D6/569
D. 259,313	5/1981	Nordlund .....	D6/569
D. 265,677	8/1982	O'Connell .....	D8/71
D. 275,106	8/1984	Hart .....	D8/373
D. 283,100	3/1986	Porter .....	D8/71
D. 297,111	8/1988	Thompson et al. ....	D8/71
D. 308,326	6/1990	Makowsky .....	D15/133
D. 355,662	2/1995	Crump, Jr. ....	D15/140

**1 Claim, 5 Drawing Sheets**



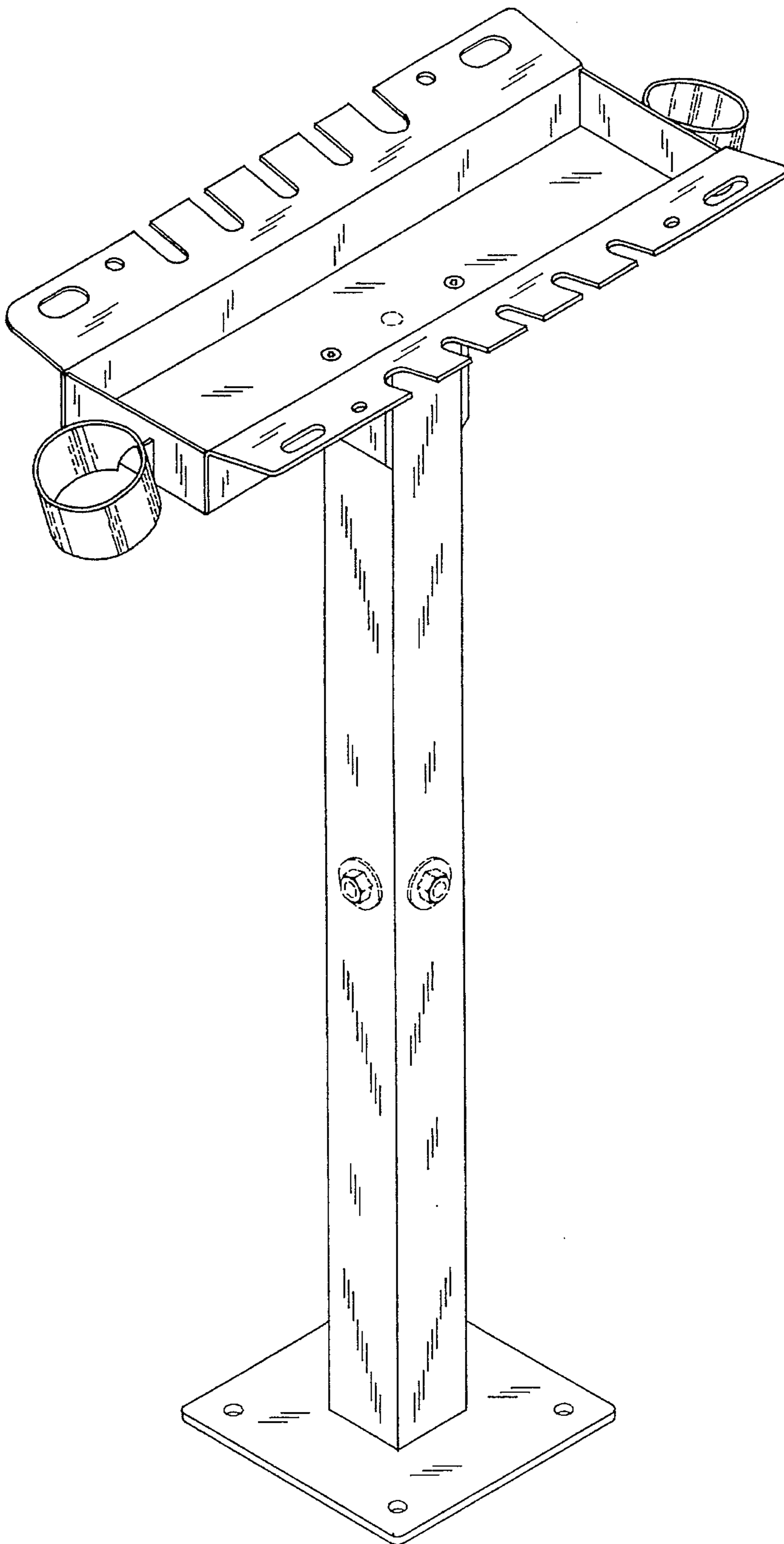


FIG-1

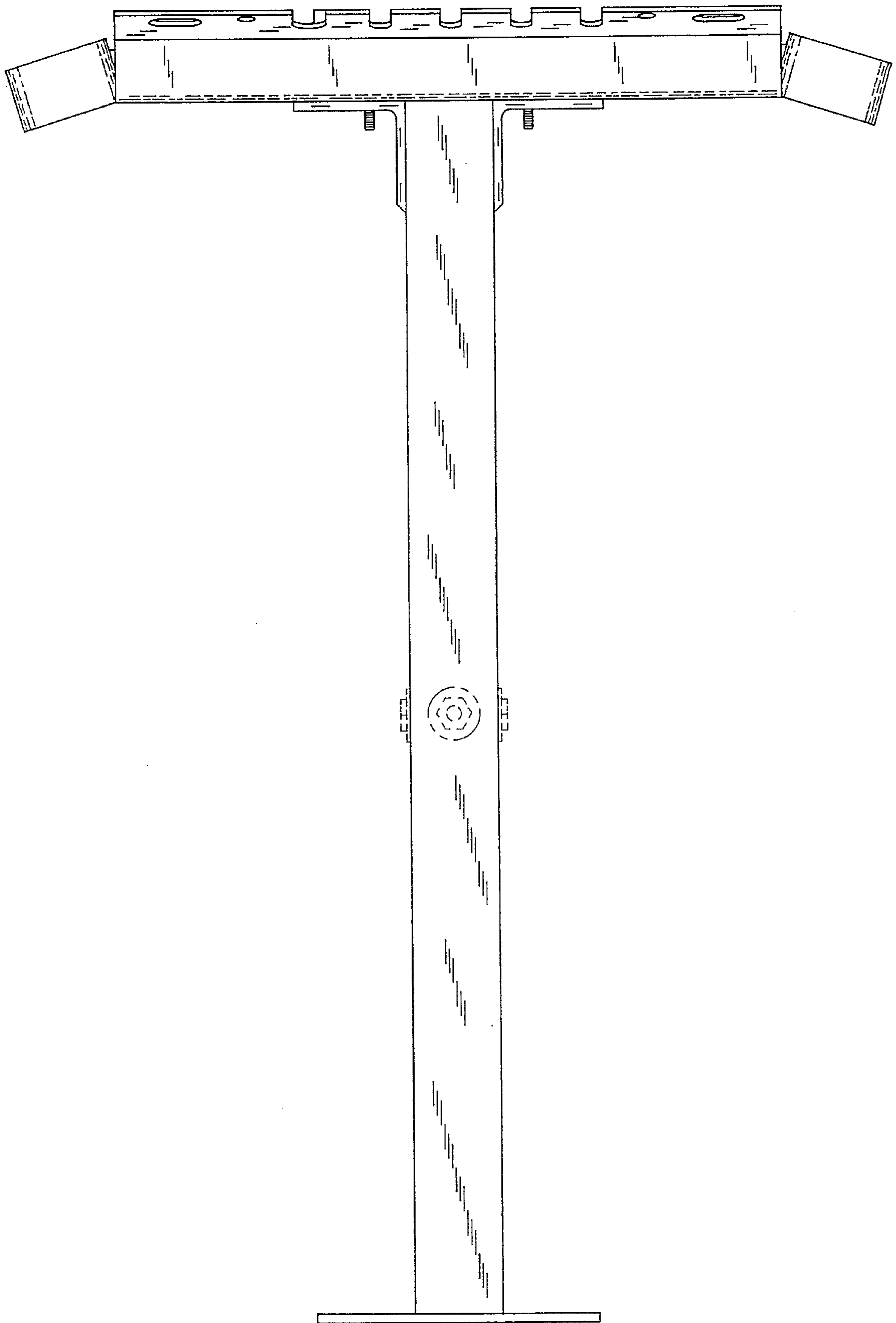


FIG-2

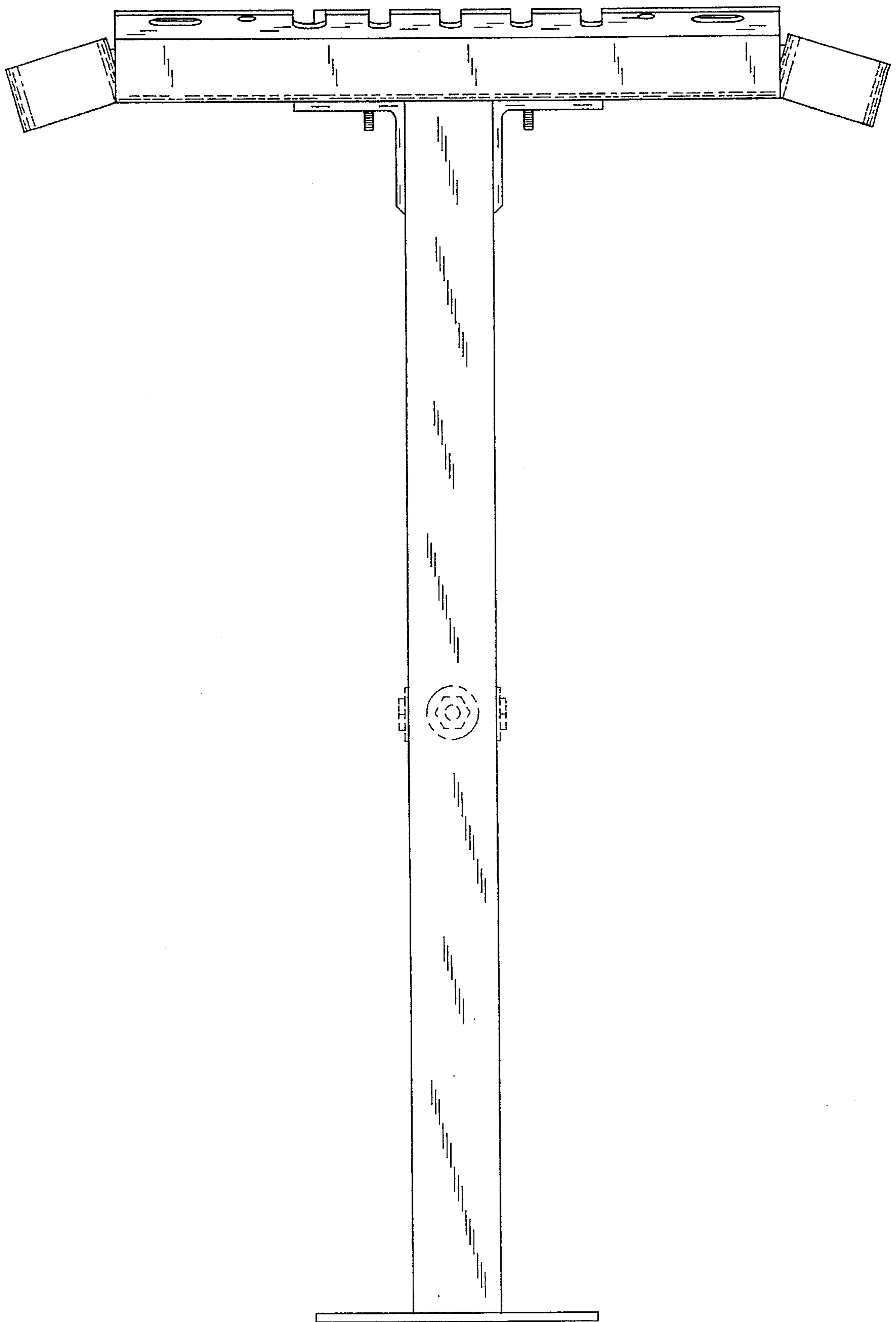


FIG-3

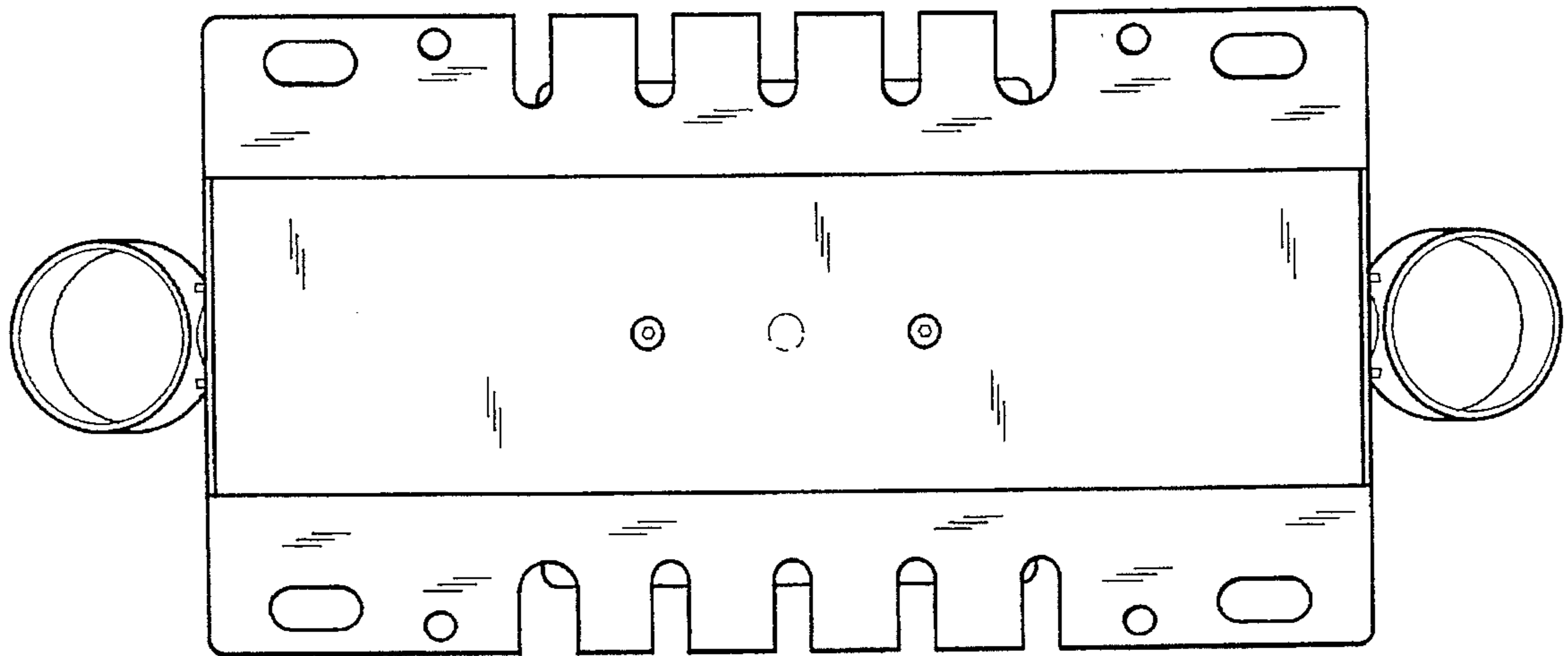


FIG-4

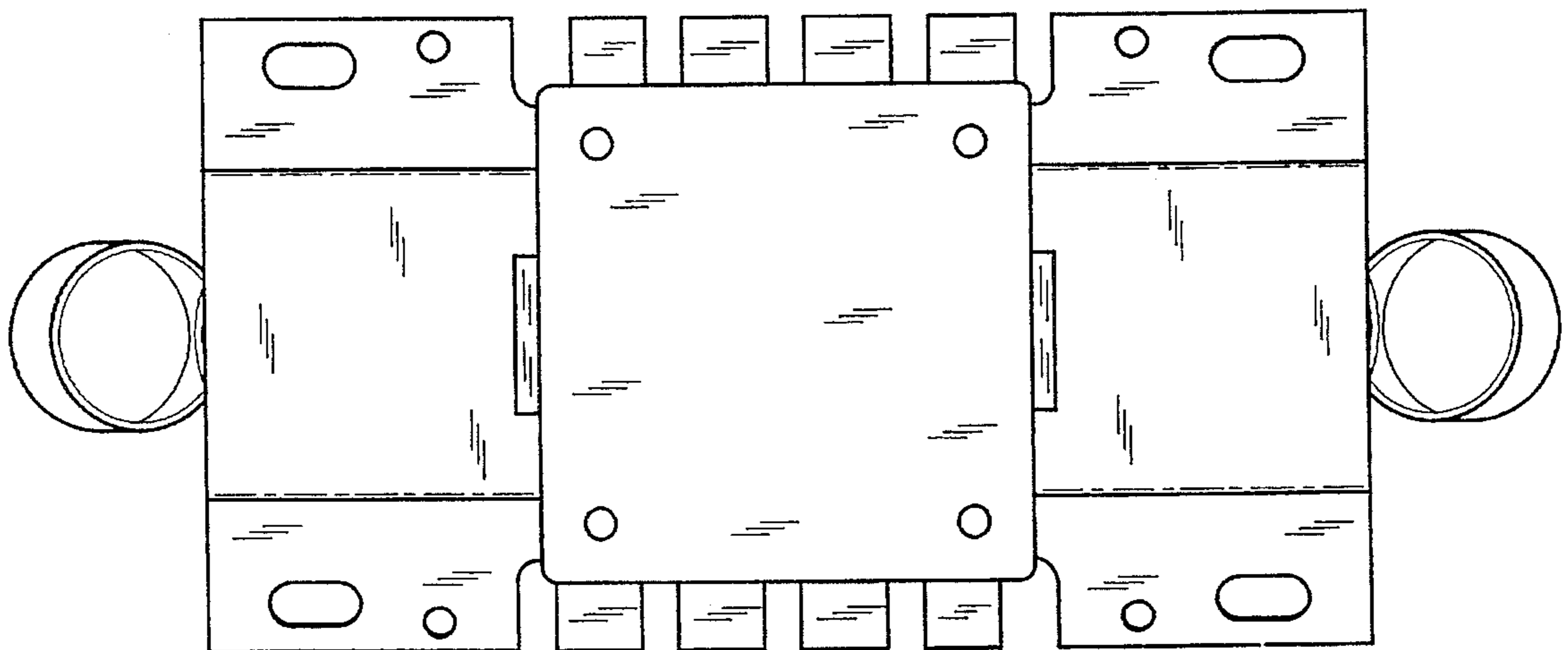


FIG-5

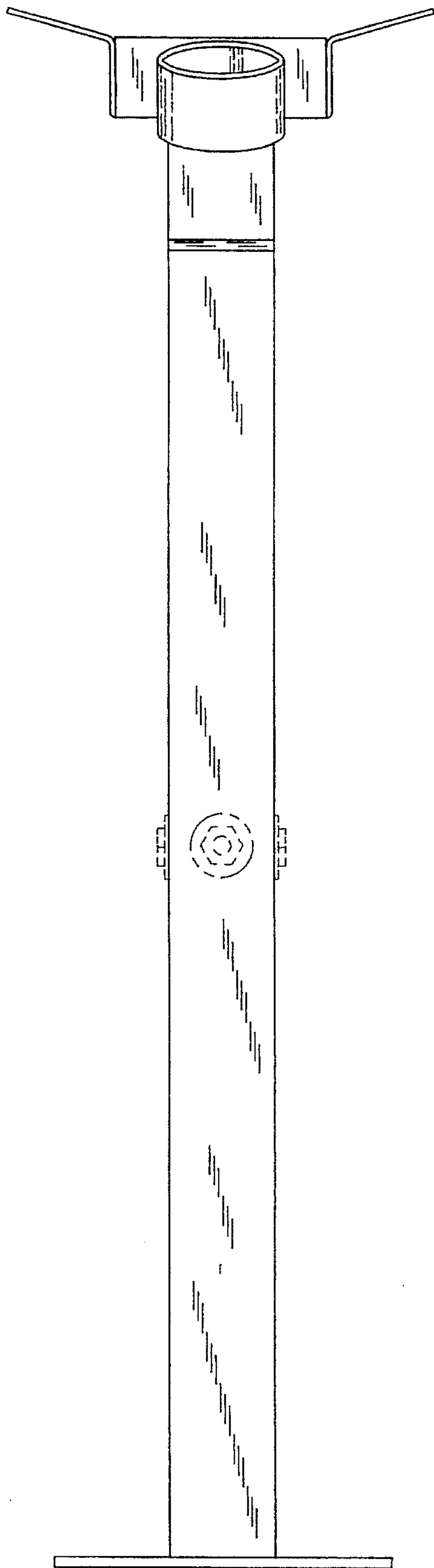


FIG-6

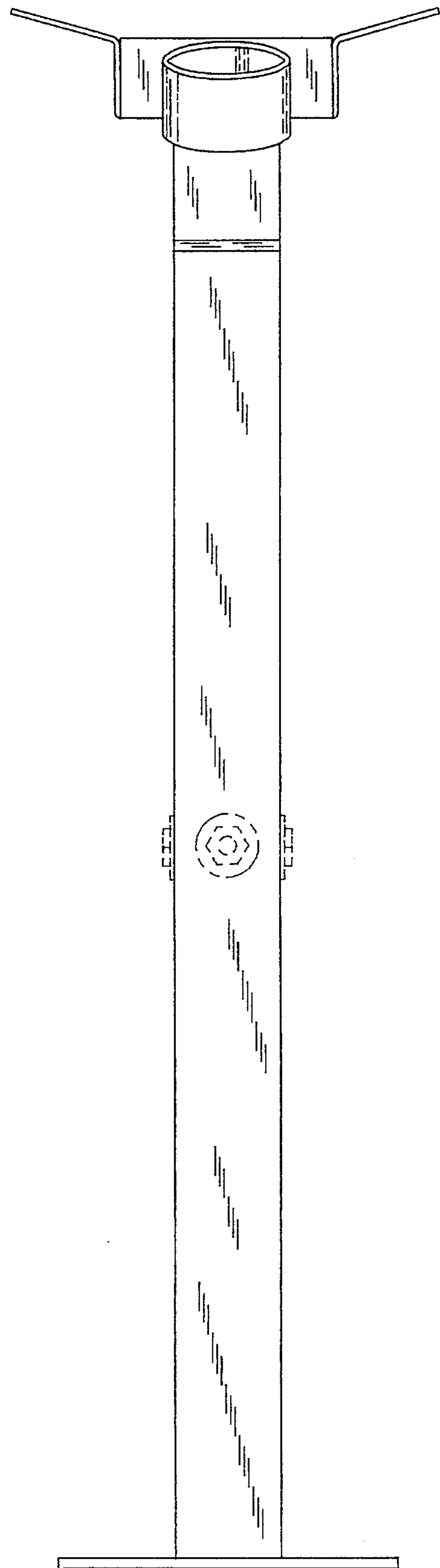


FIG-7