



US00D377309S

United States Patent [19]
Hofman

[11] **Patent Number: Des. 377,309**
[45] **Date of Patent: **Jan. 14, 1997**

[54] **OVER DOOR HOOK**

[75] Inventor: **James A. Hofman**, Warrenville, Ill.

[73] Assignee: **Selfix, Inc.**, Chicago, Ill.

[**] Term: **14 Years**

[21] Appl. No.: **48,852**

[22] Filed: **Dec. 22, 1995**

[52] **U.S. Cl.** **D8/372**

[58] **Field of Search** D8/367, 372; 248/301,
248/304, 215, 339; D6/323

[56] **References Cited**

U.S. PATENT DOCUMENTS

D. 143,825	2/1946	Kimsey	D6/323
D. 206,232	11/1966	Magnuson	D6/323
D. 332,361	12/1991	Goodman et al.	D6/323
D. 336,842	6/1993	Hampshire	D8/372
D. 343,112	1/1994	Corbin	D8/367

Primary Examiner—Holly H. Baynham
Attorney, Agent, or Firm—Dressler, Goldsmith, Milnamow & Katz, Ltd.

[57] **CLAIM**

The ornamental design for a over door hook, as shown and described.

DESCRIPTION

FIG. 1 is a perspective view of an over door hook showing my new design;

FIG. 2 is a right side elevational view of the over door hook shown in FIG. 1, the left side elevational view being the mirror image thereof;

FIG. 3 is a front elevational view of the over door hook shown in FIG. 1;

FIG. 4 is a rear elevational view of the over door hook shown in FIG. 1 ;

FIG. 5 is a top plan view of the over door hook shown in FIG. 1; and,

FIG. 6 is a bottom plan view of the over door hook shown in FIG. 1.

1 Claim, 1 Drawing Sheet

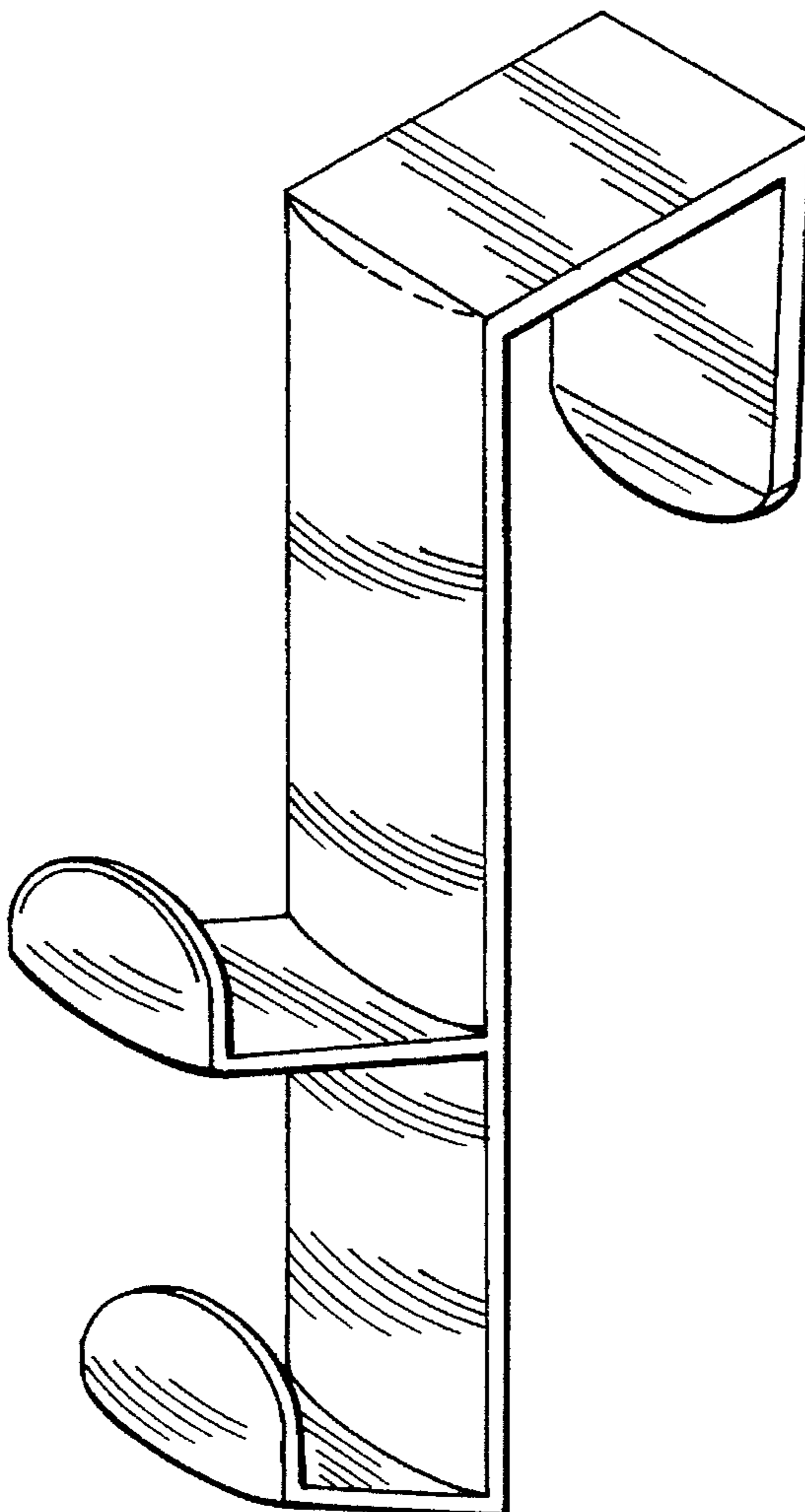


FIG. 1

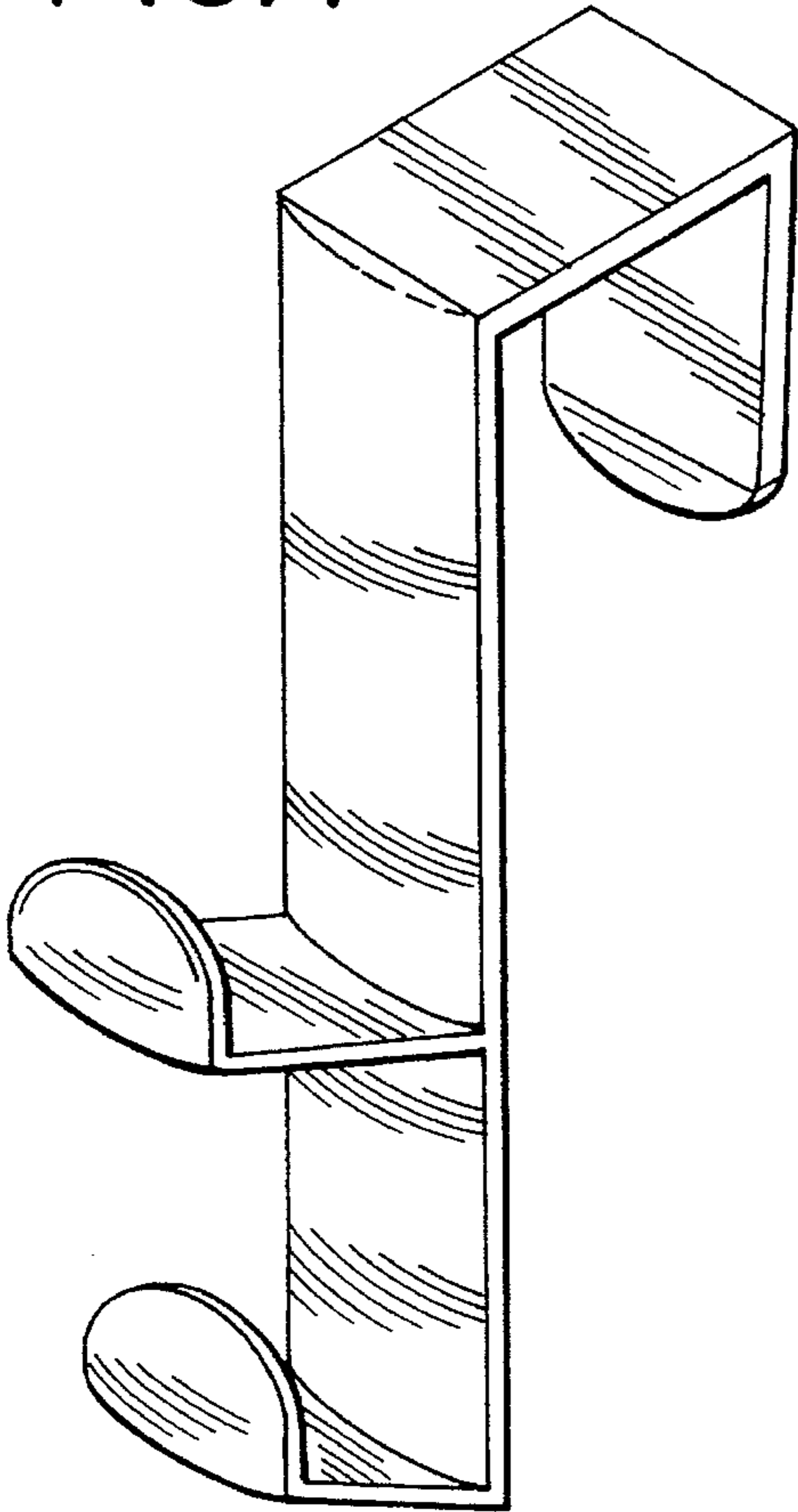


FIG. 5

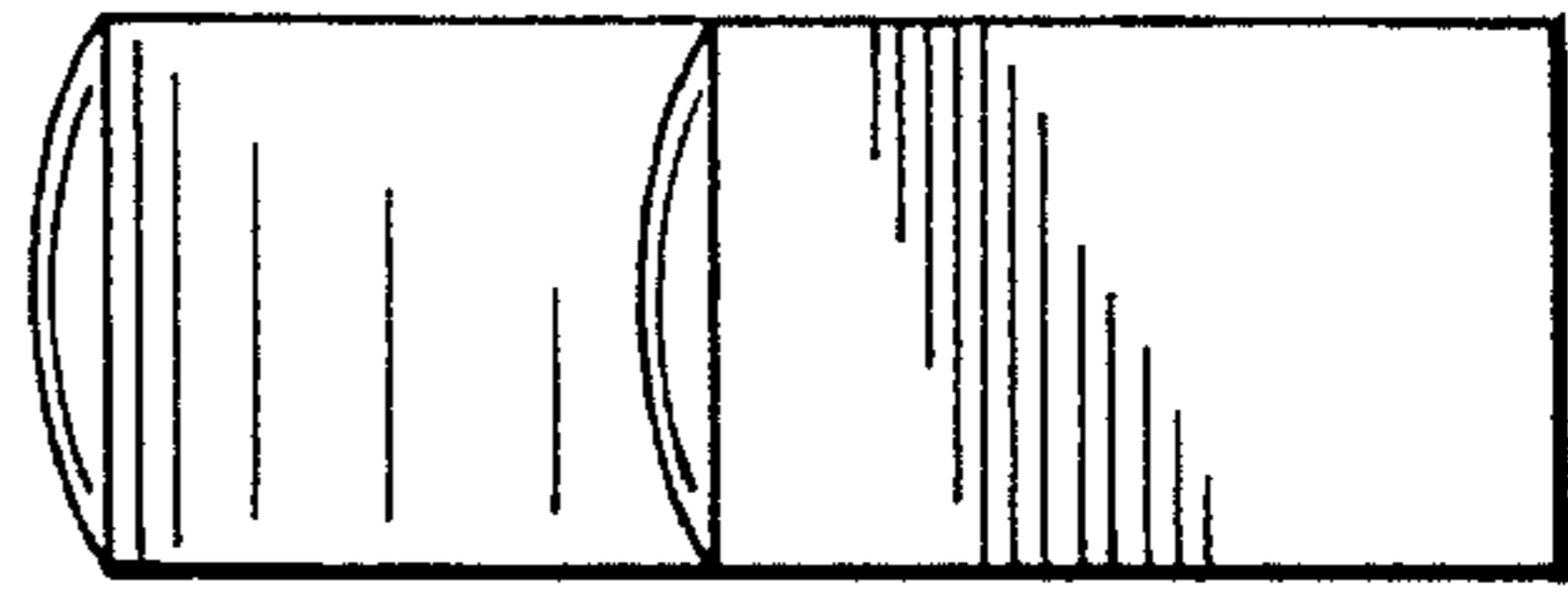


FIG. 6

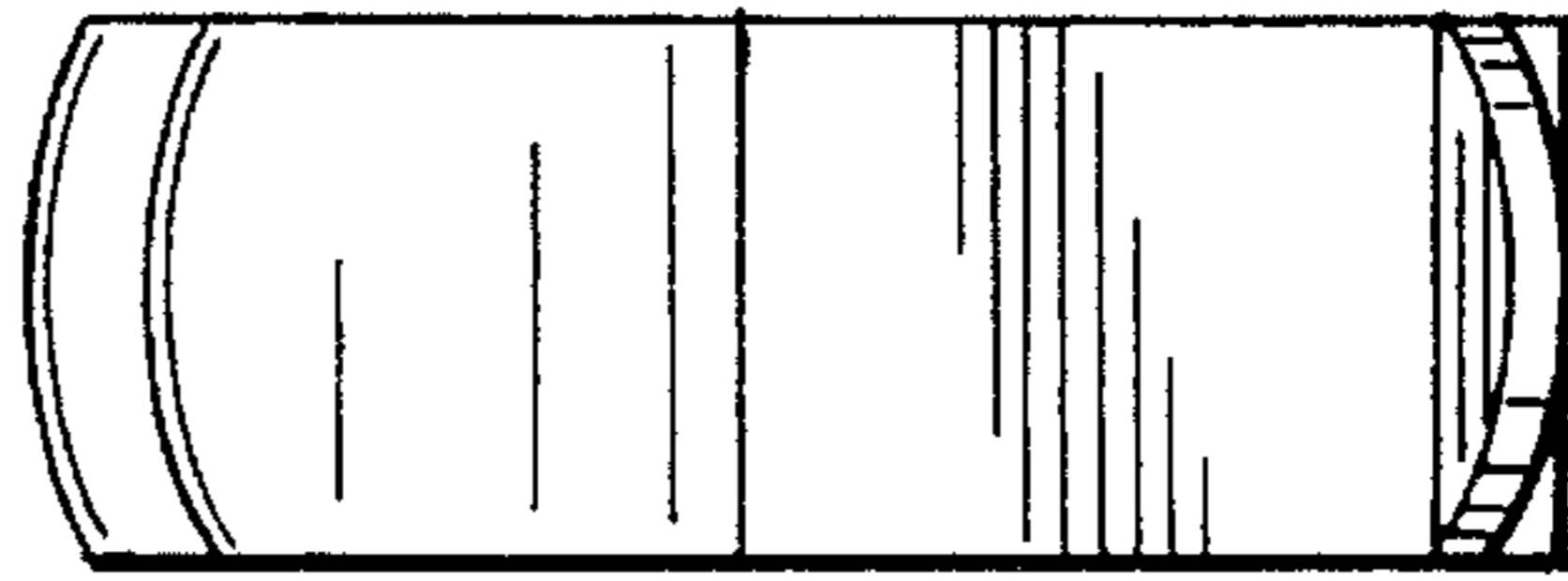


FIG. 3

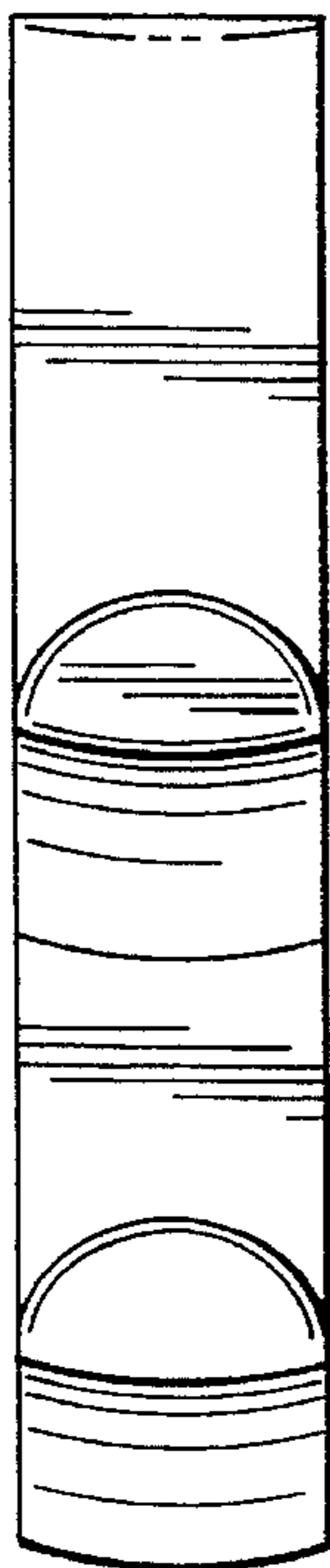


FIG. 2

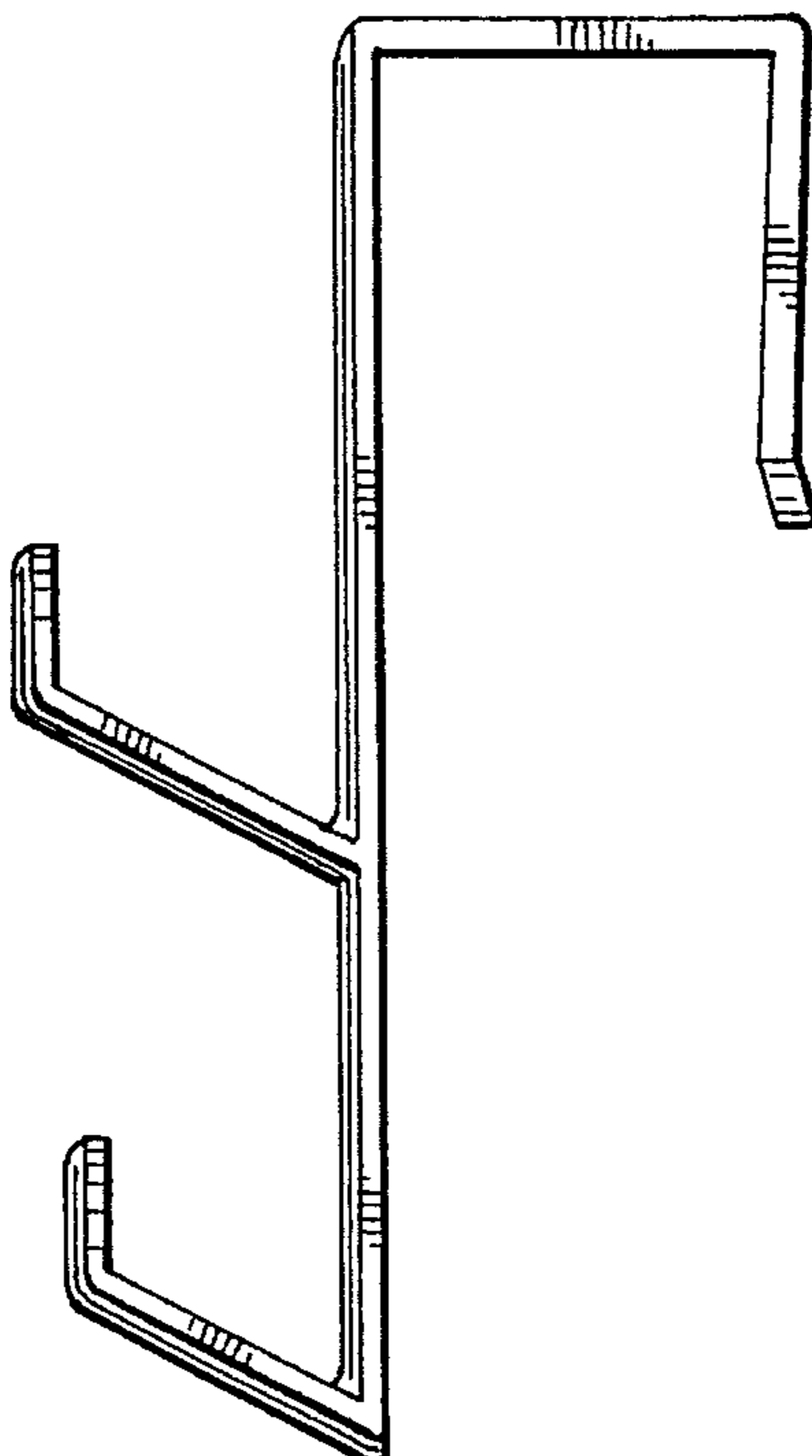


FIG. 4

