



US00D377306S

United States Patent [19]

Decker

[11] Patent Number: **Des. 377,306**

[45] Date of Patent: ****Jan. 14, 1997**

[54] **QUICK-RELEASE HINGE FOR TOILET SEAT**

| | | | |
|---------|---------|----------------------|-------|
| 1144706 | 4/1983 | Canada . | |
| 995625 | 12/1951 | France . | |
| 226480 | 1/1910 | Germany . | |
| 415416 | 8/1934 | United Kingdom | 4/236 |

[76] Inventor: **Dennis Decker**, 19127 Roosevelt Ave., Port Charlotte, Fla. 33954

[**] Term: **14 Years**

Primary Examiner—Ted Shooman
Assistant Examiner—C. Tuttle
Attorney, Agent, or Firm—Dennis H. Lambert

[21] Appl. No.: **40,499**

[22] Filed: **Jun. 22, 1995**

[52] U.S. Cl. **D8/326**

[58] Field of Search D8/323-329; 4/236-240; 16/221, 223, 234, 254, 260-263, 270, 386, 389; D23/303, 311

[57] CLAIM

The ornamental design for a quick-release hinge for toilet seat, as shown and described.

DESCRIPTION

FIG. 1 is a front, top and side perspective view of the quick-release hinge for toilet seat embodying the design of the present invention;

FIG. 2 is a front elevational view thereof;

FIG. 3 is a rear elevational view thereof;

FIG. 4 is a left side elevational view thereof;

FIG. 5 is a right side elevational view thereof;

FIG. 6 is a top plan view thereof;

FIG. 7 is a bottom plan view thereof; and,

FIG. 8 is a fragmentary front perspective view of the quick-release hinge, with a portion of the toilet seat, toilet seat lid, and a second hinge shown in broken lines.

The broken line showing of the toilet seat and lid, and the second hinge in FIG. 8, is for illustrative purposes only and forms no part of the claimed design.

[56] References Cited

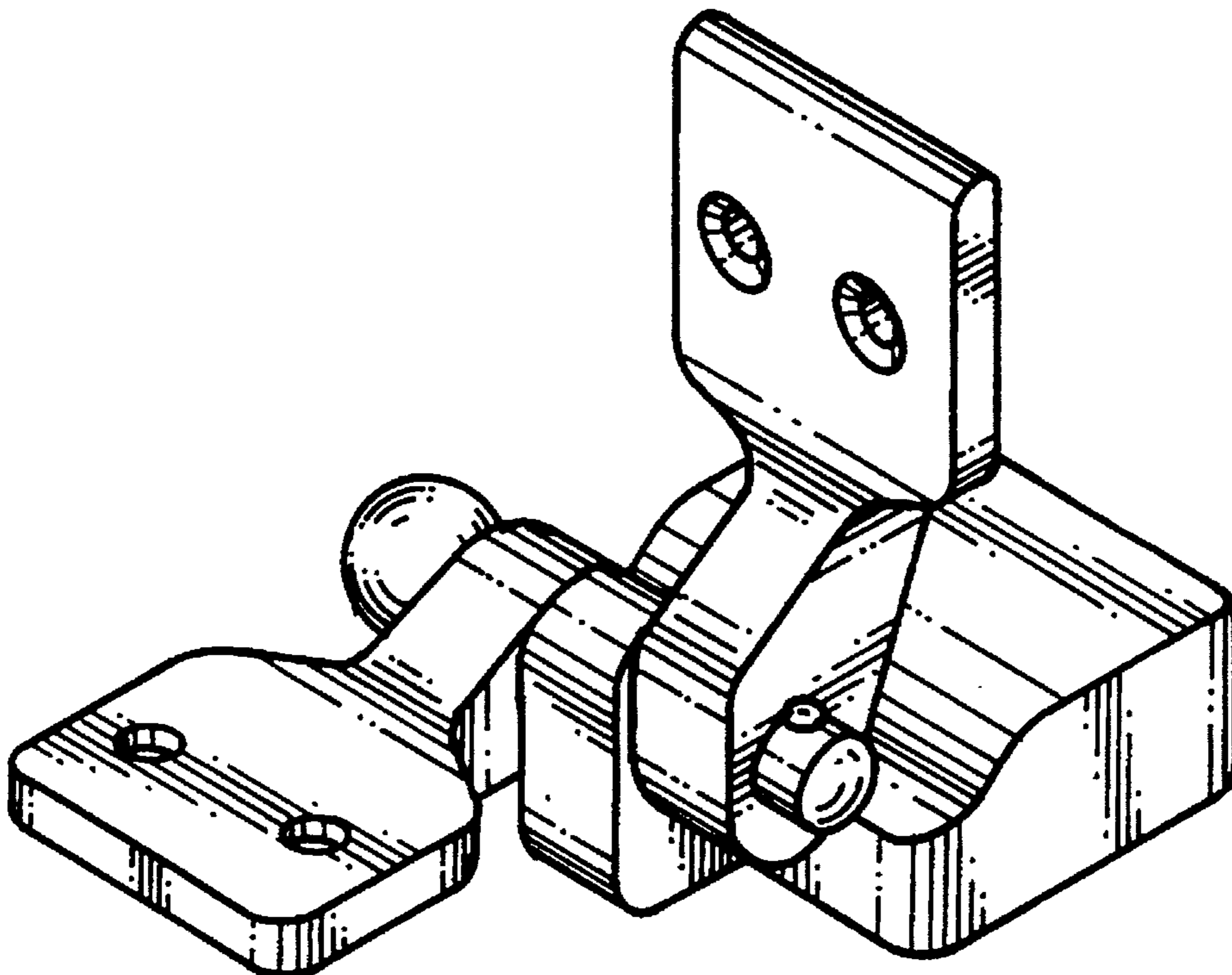
U.S. PATENT DOCUMENTS

| | | | |
|------------|---------|-------------------|---------|
| D. 185,683 | 7/1959 | Smoyer | D8/326 |
| D. 355,713 | 2/1995 | Kelly | D23/311 |
| D. 360,257 | 7/1995 | Hirschfield | D23/311 |
| 1,520,301 | 12/1924 | Michel | 4/235 |
| 1,534,467 | 4/1925 | Shea, Jr. | 16/262 |
| 2,185,169 | 12/1939 | Romanoff | 4/234 |
| 3,055,015 | 9/1962 | Silverman . | |
| 3,471,874 | 10/1969 | Dixon . | |
| 3,613,130 | 10/1971 | Sansone . | |
| 3,653,076 | 4/1972 | Warnberg | 4/236 |
| 4,133,061 | 1/1979 | Hurd . | |
| 4,367,567 | 1/1983 | Sendoykas | 4/236 |
| 4,658,447 | 4/1987 | Smith | 4/236 |
| 5,267,357 | 12/1993 | Ades . | |

FOREIGN PATENT DOCUMENTS

| | | | |
|--------|---------|---------------|--------|
| 546158 | 10/1959 | Belgium | 16/384 |
|--------|---------|---------------|--------|

1 Claim, 5 Drawing Sheets



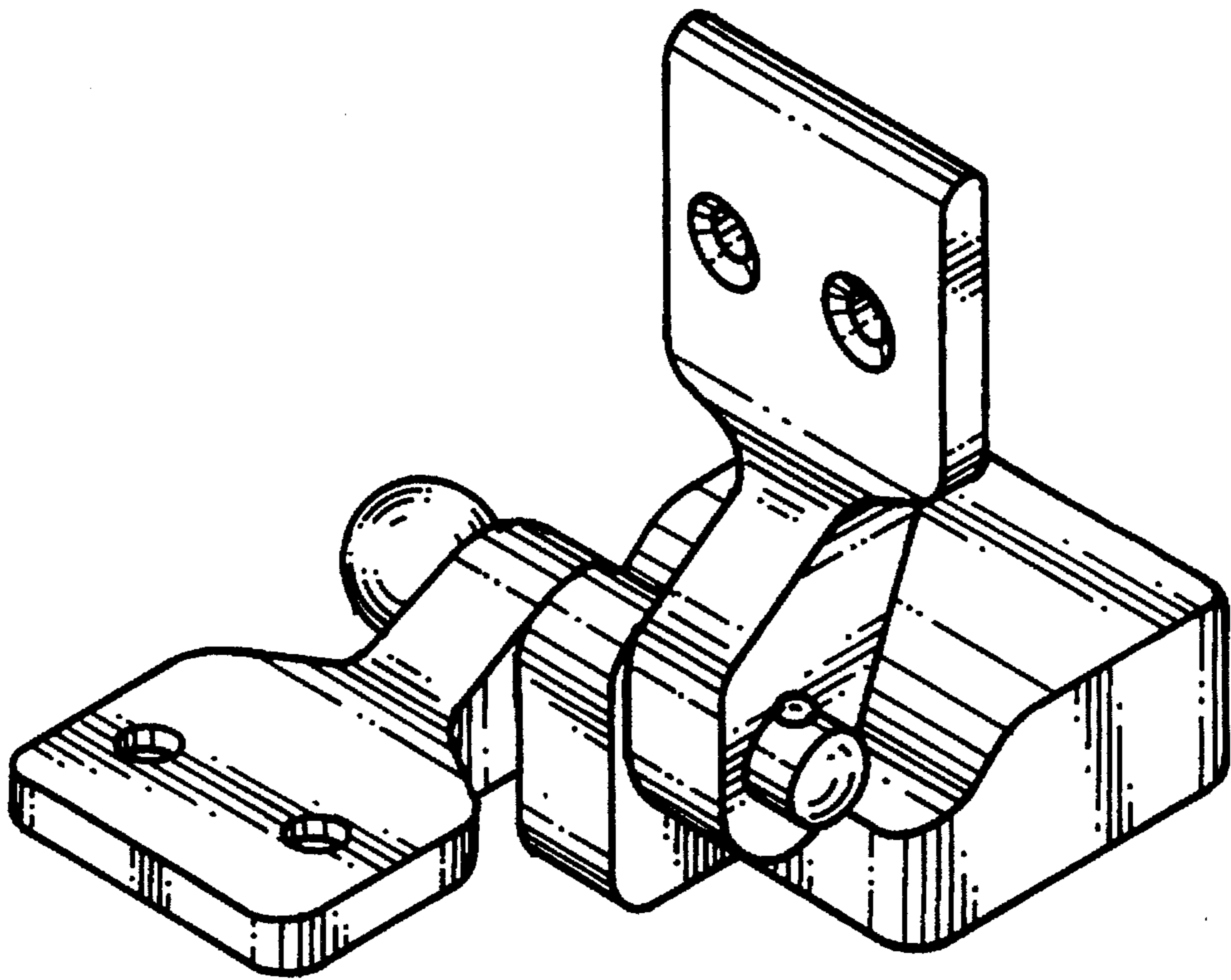


FIG. 1.

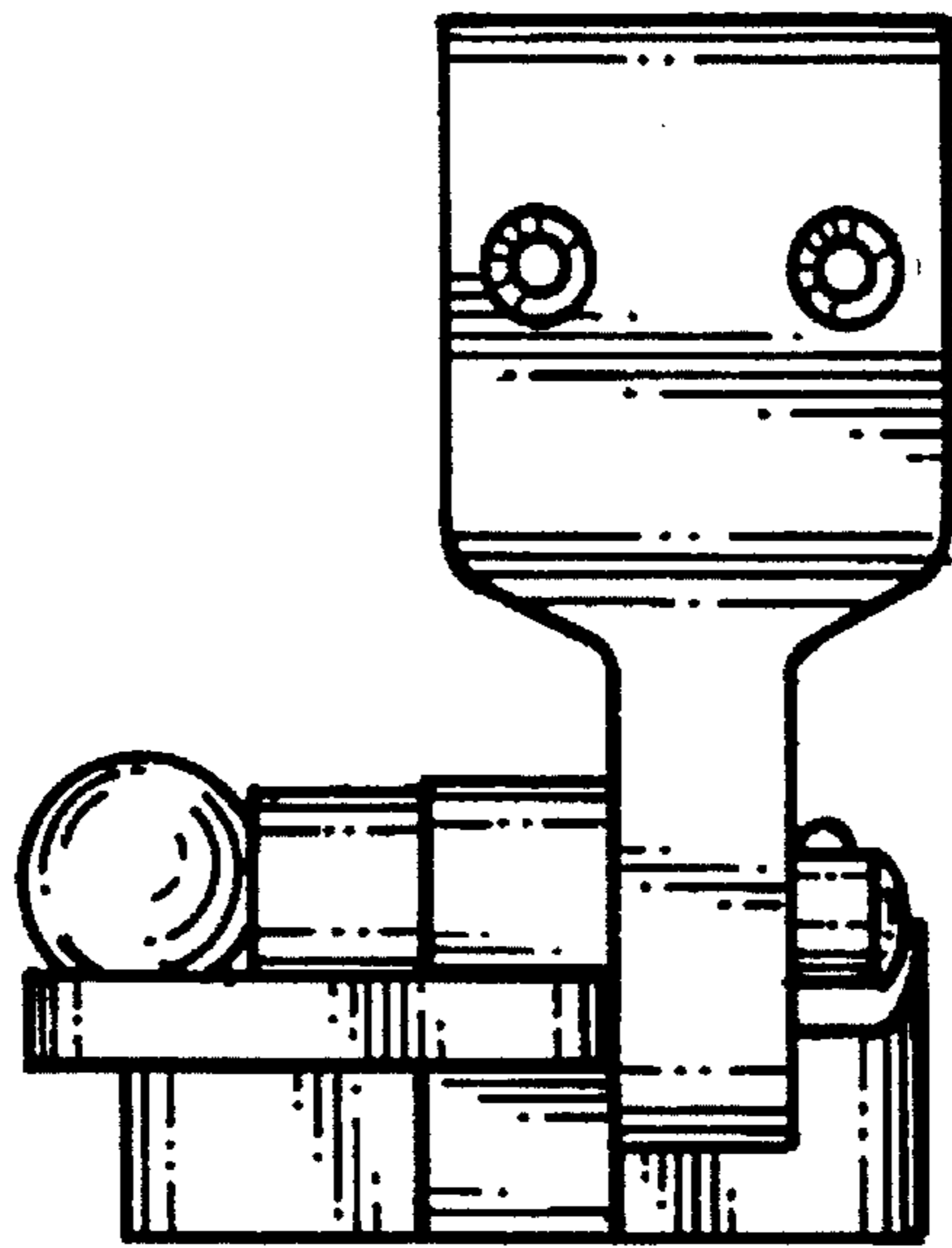


FIG. 2.

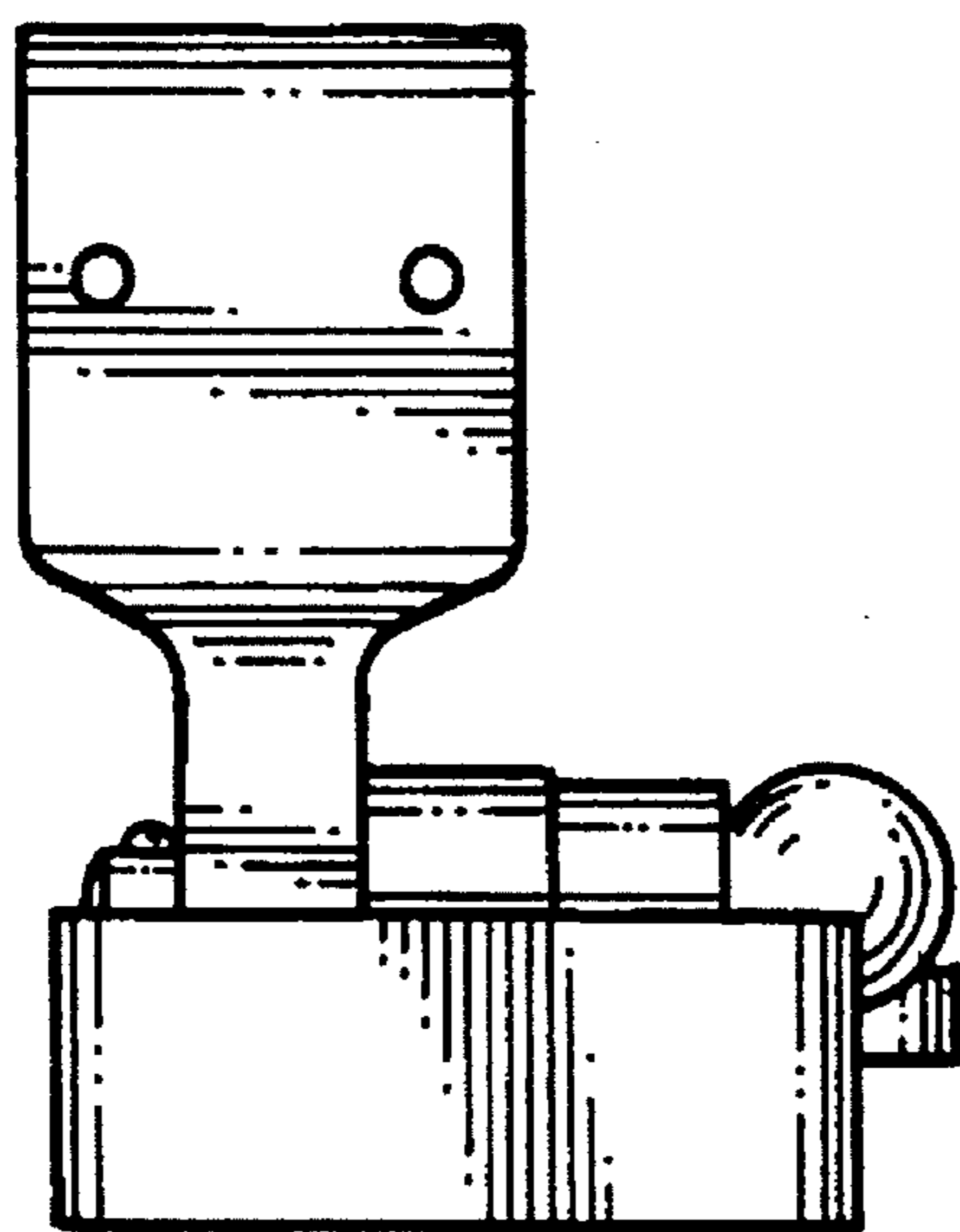


FIG. 3.

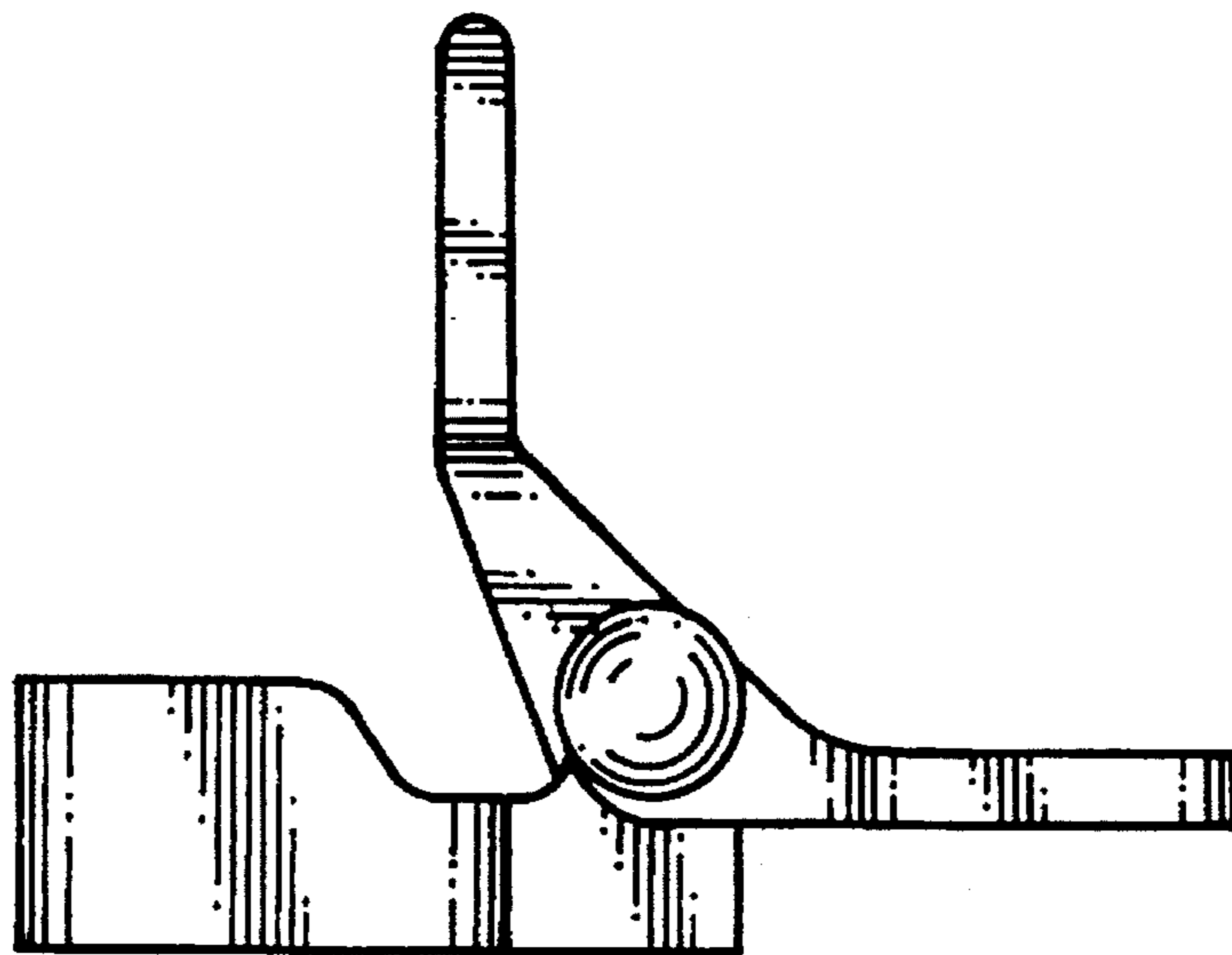


FIG. 4.

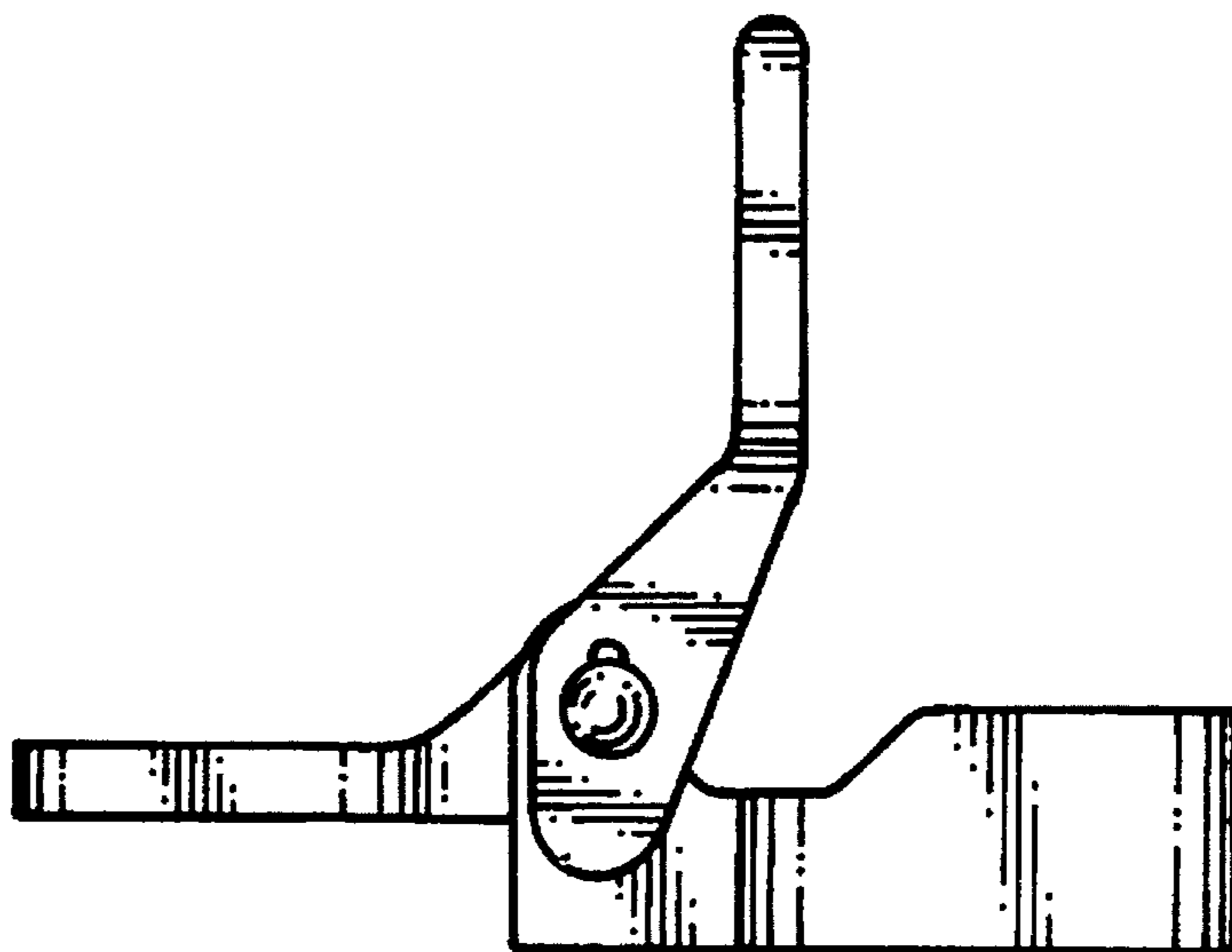


FIG. 5.

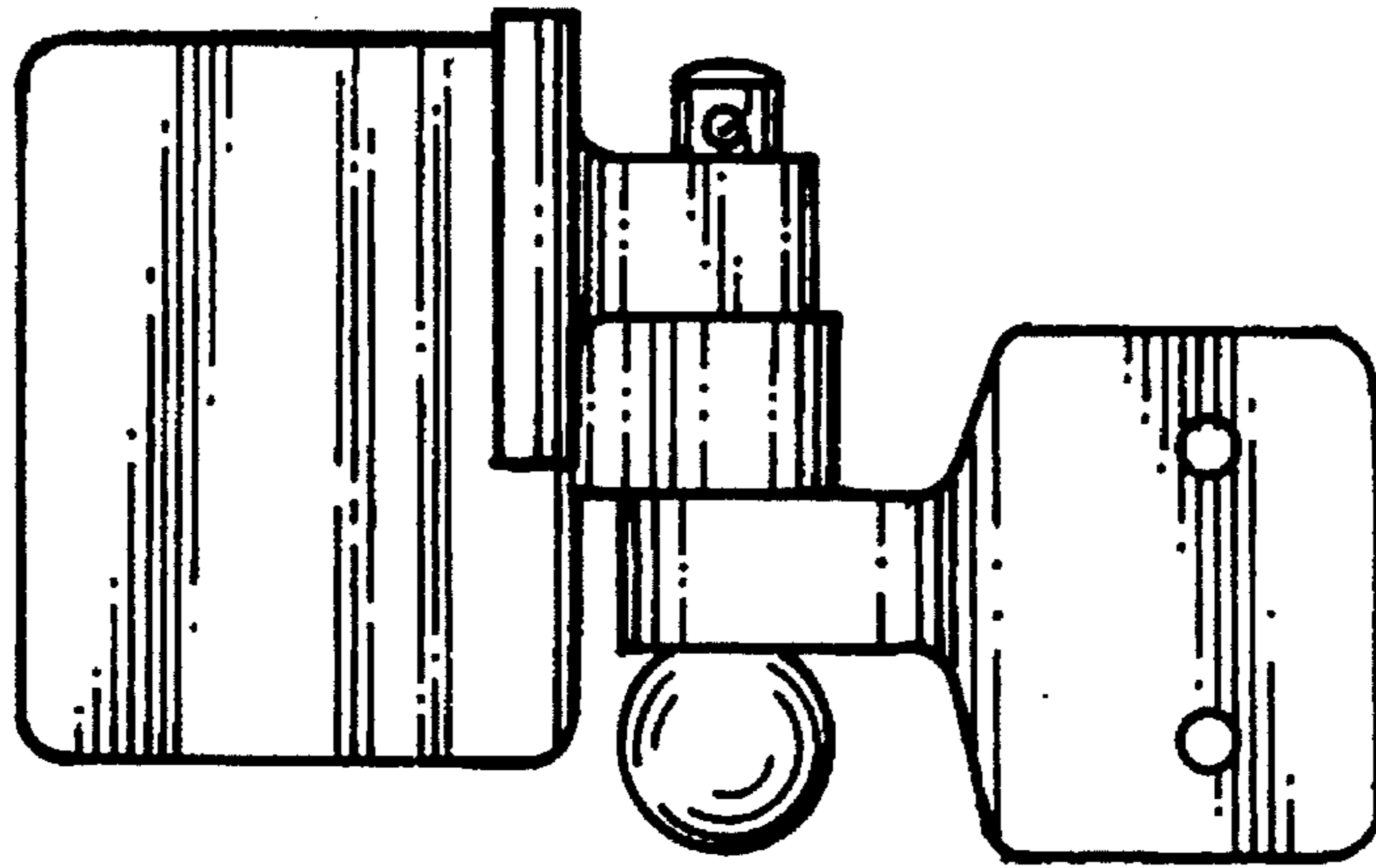


FIG. 6.

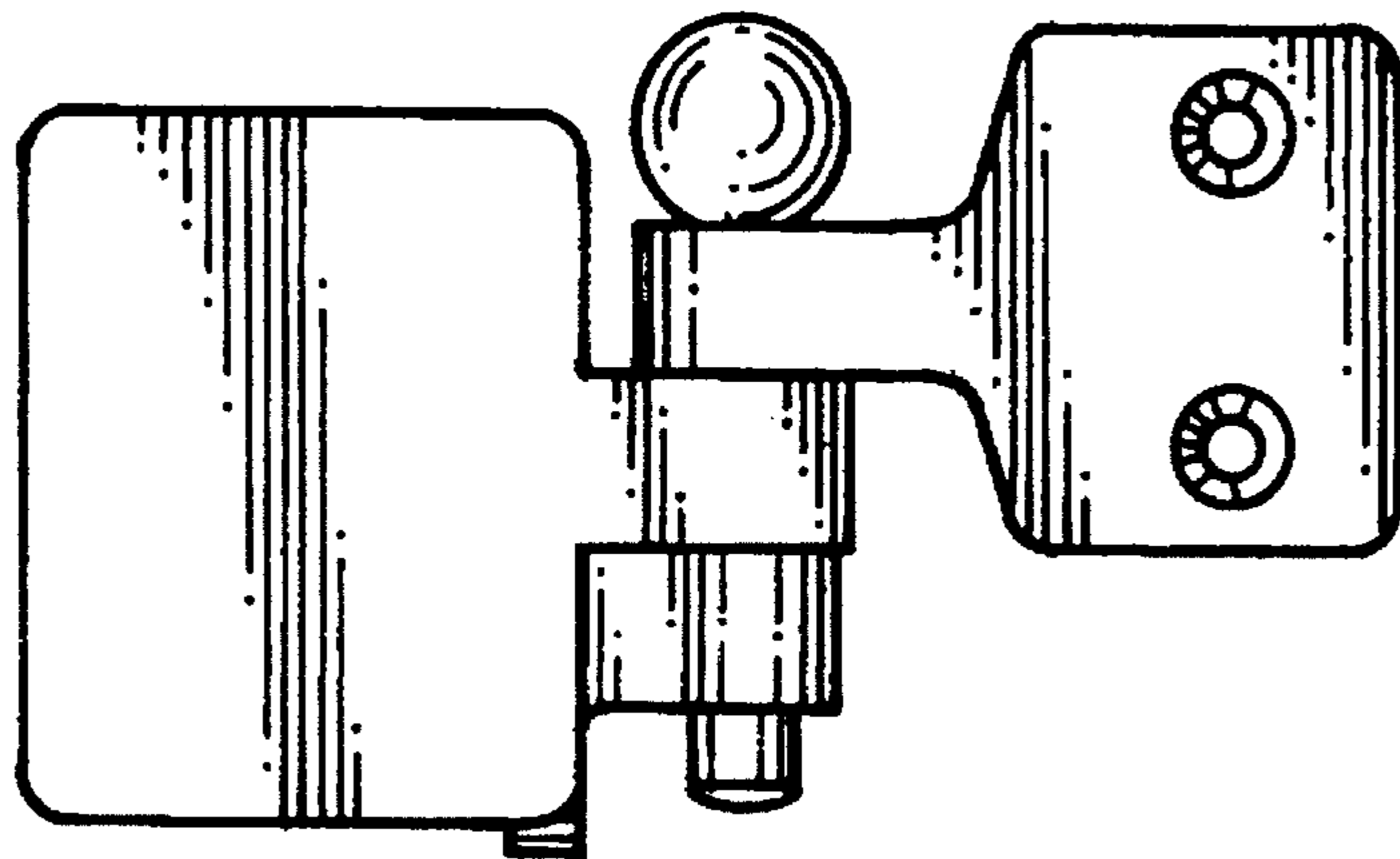


FIG. 7.

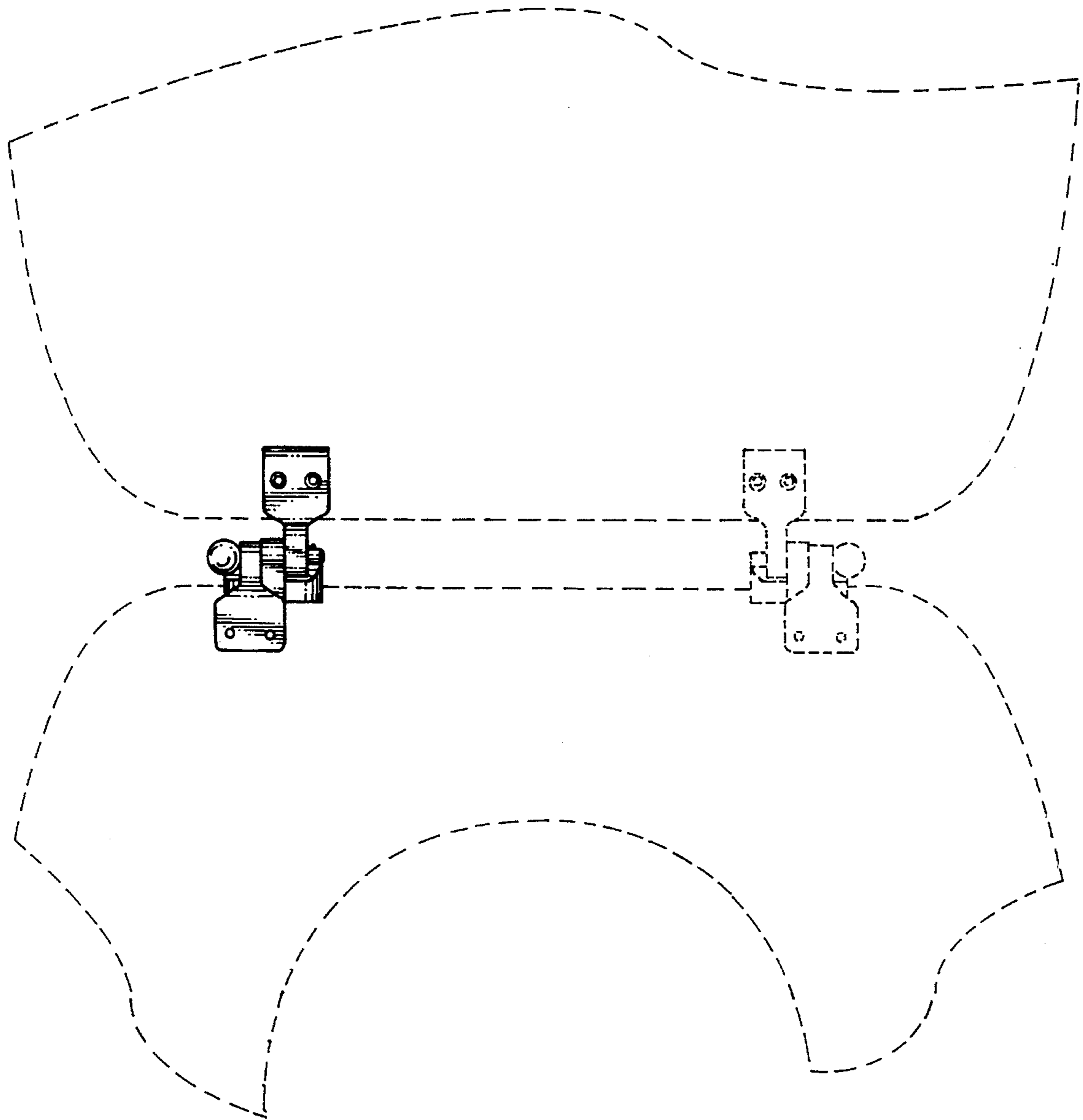


FIG.8.