



US00D377303S

United States Patent [19]

[11] Patent Number: **Des. 377,303**

Nagel

[45] Date of Patent: ****Jan. 14, 1997**

[54] **ADJUSTABLE HAND DRILL**

[75] Inventor: **Dietmar Nagel**, Chester, N.J.

[73] Assignee: **Azrak-Hamway International, Inc.**,
N.Y.

[**] Term: **14 Years**

[21] Appl. No.: **41,456**

[22] Filed: **Jul. 14, 1995**

[52] U.S. Cl. **D8/68**

[58] Field of Search D8/14.1, 61, 64,
D8/67, 68; 72/64, 299; 81/54, 57.11, 57.13,
57.14, 177.1, 177.4, 429; 173/69, 70, 169,
170; 408/713

[56] **References Cited**

U.S. PATENT DOCUMENTS

D. 280,796	10/1985	Somers	D8/61
D. 289,968	5/1987	Somers	D8/68
3,759,336	9/1973	Marcovitz et al.	173/170
4,522,270	6/1985	Kishi	81/177.1

OTHER PUBLICATIONS

Cordless Screwdriver, *Damark International Catalog* Nov. 1988, p. 22.

Primary Examiner—B. J. Bullock
Assistant Examiner—Robert M. Spear
Attorney, Agent, or Firm—Amster, Rothstein & Ebenstein

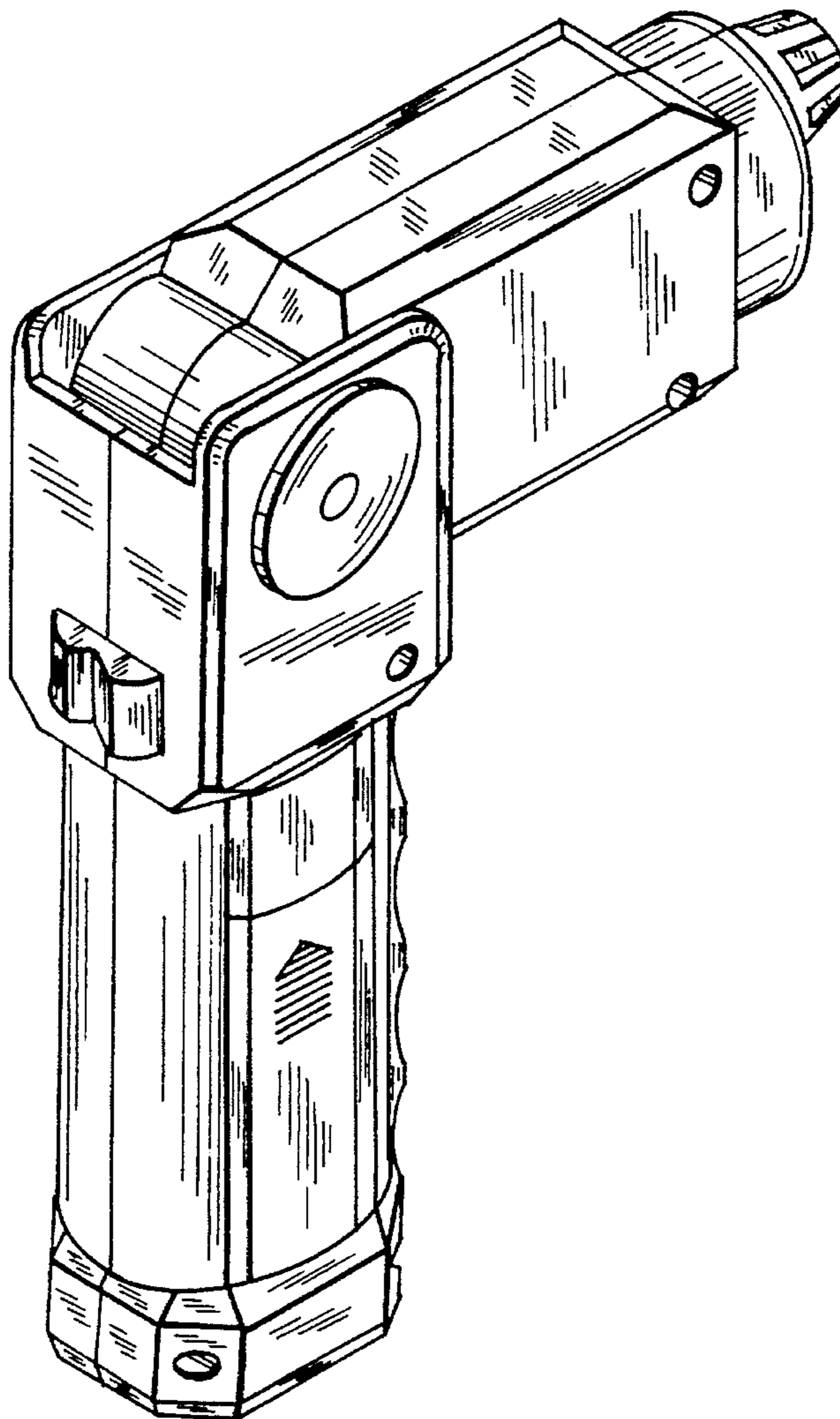
[57] **CLAIM**

The ornamental design for an adjustable hand drill, as shown and described.

DESCRIPTION

FIG. 1 is a top right rear perspective view thereof;
FIG. 2 is a left side elevational view thereof;
FIG. 3 is a front elevational view thereof;
FIG. 4 is a rear elevational view thereof;
FIG. 5 is a top plan view thereof;
FIG. 6 is a bottom plan view thereof;
FIG. 7 is a left side elevational view thereof with the
movable top portion thereof rotated 45 degrees; and,
FIG. 8 is a left side elevational view thereof with the
movable top portion thereof rotated 90 degrees.

1 Claim, 6 Drawing Sheets



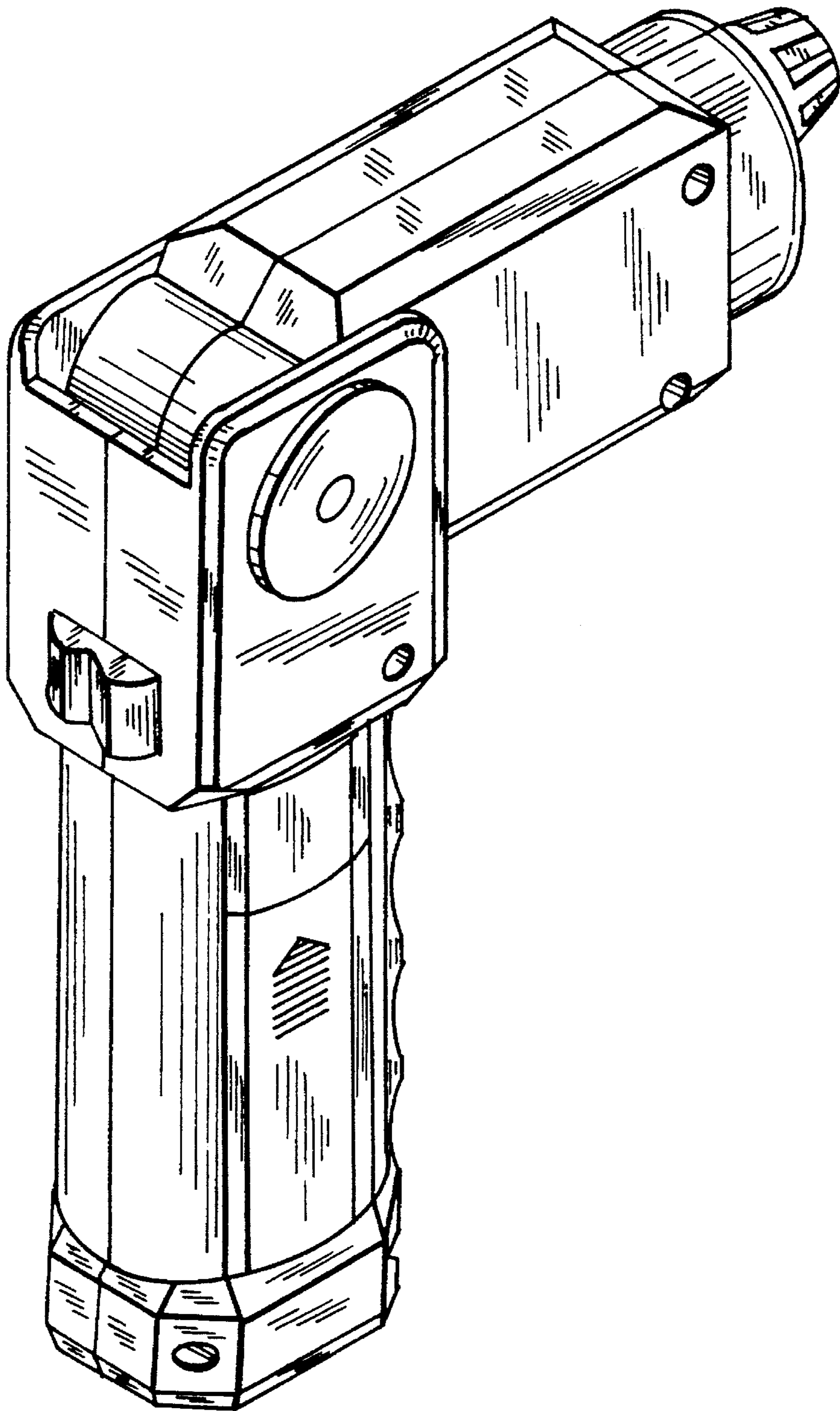


FIG. 1

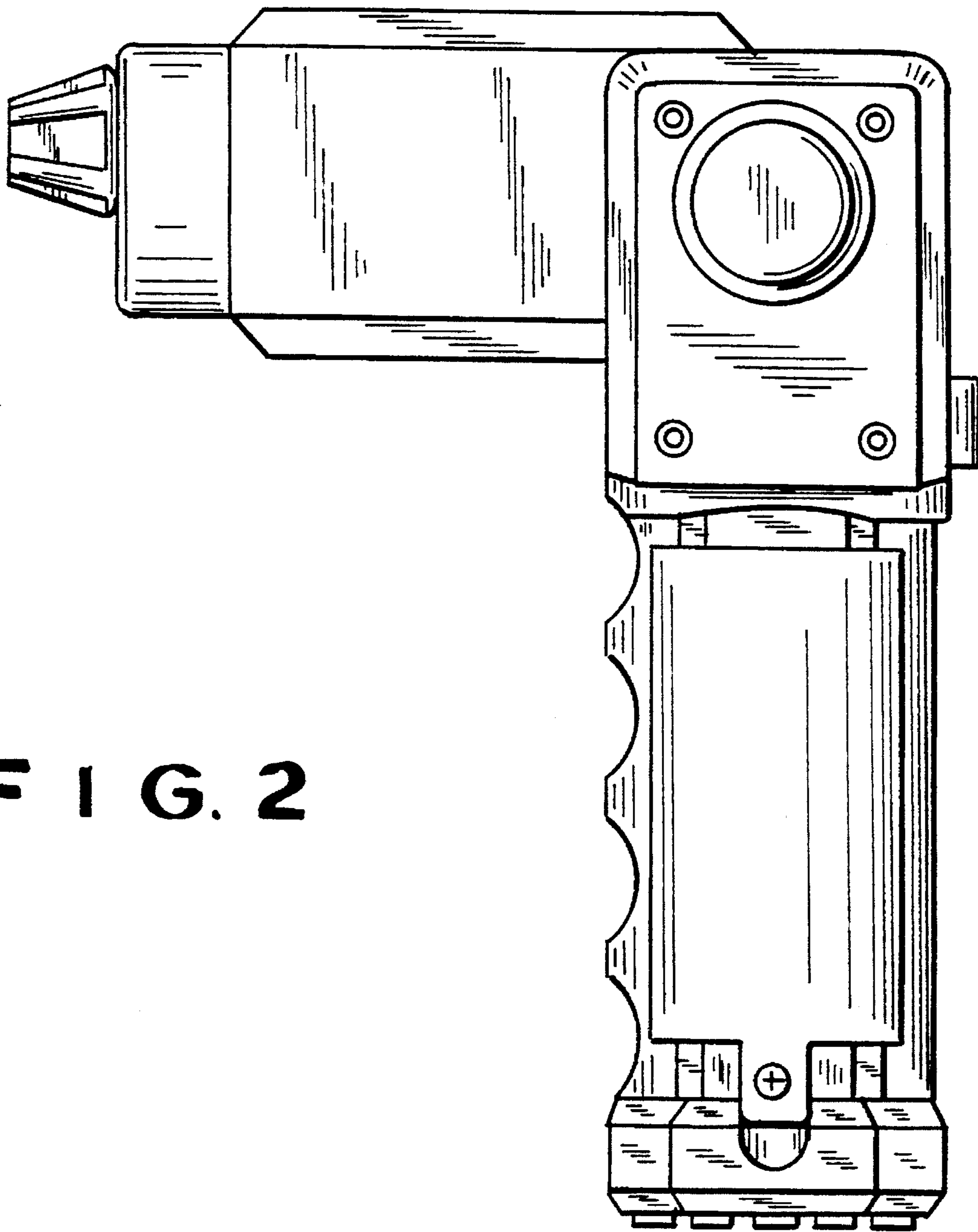


FIG. 2

FIG. 3

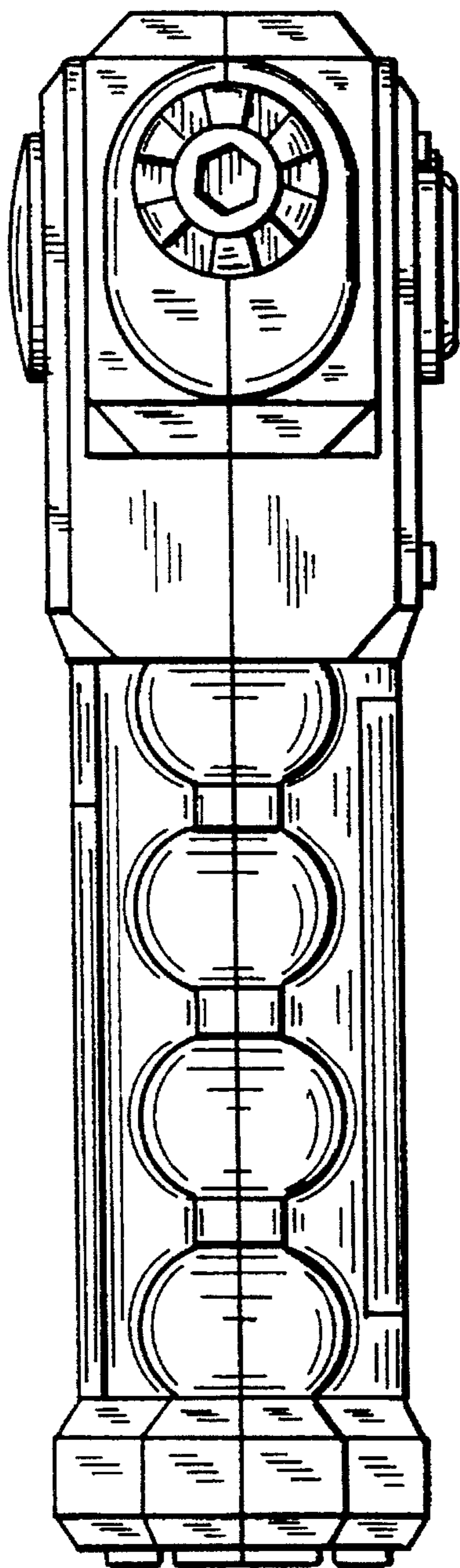


FIG. 4

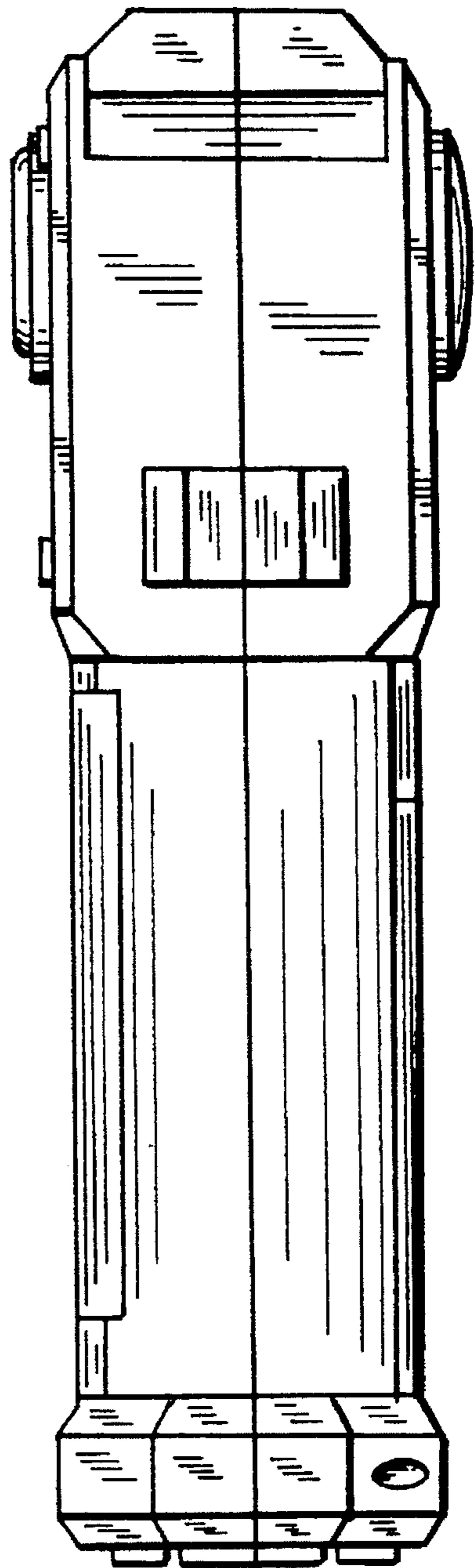


FIG. 5

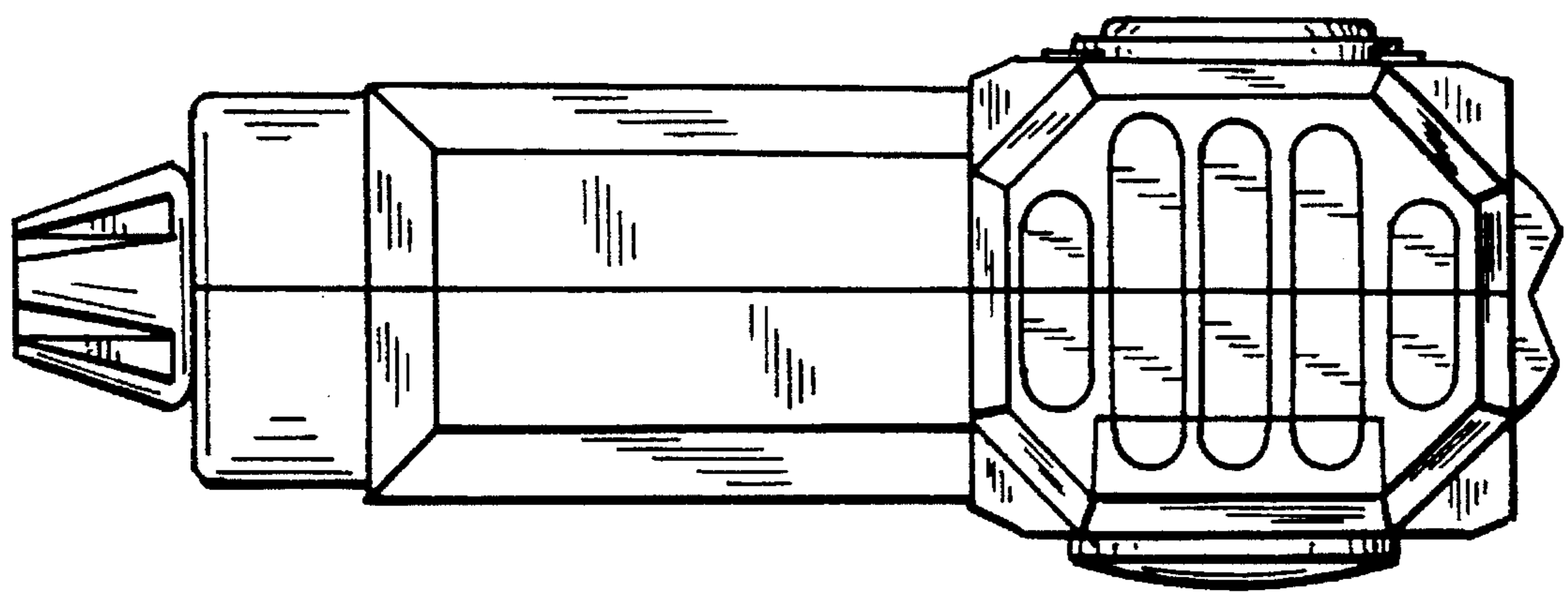
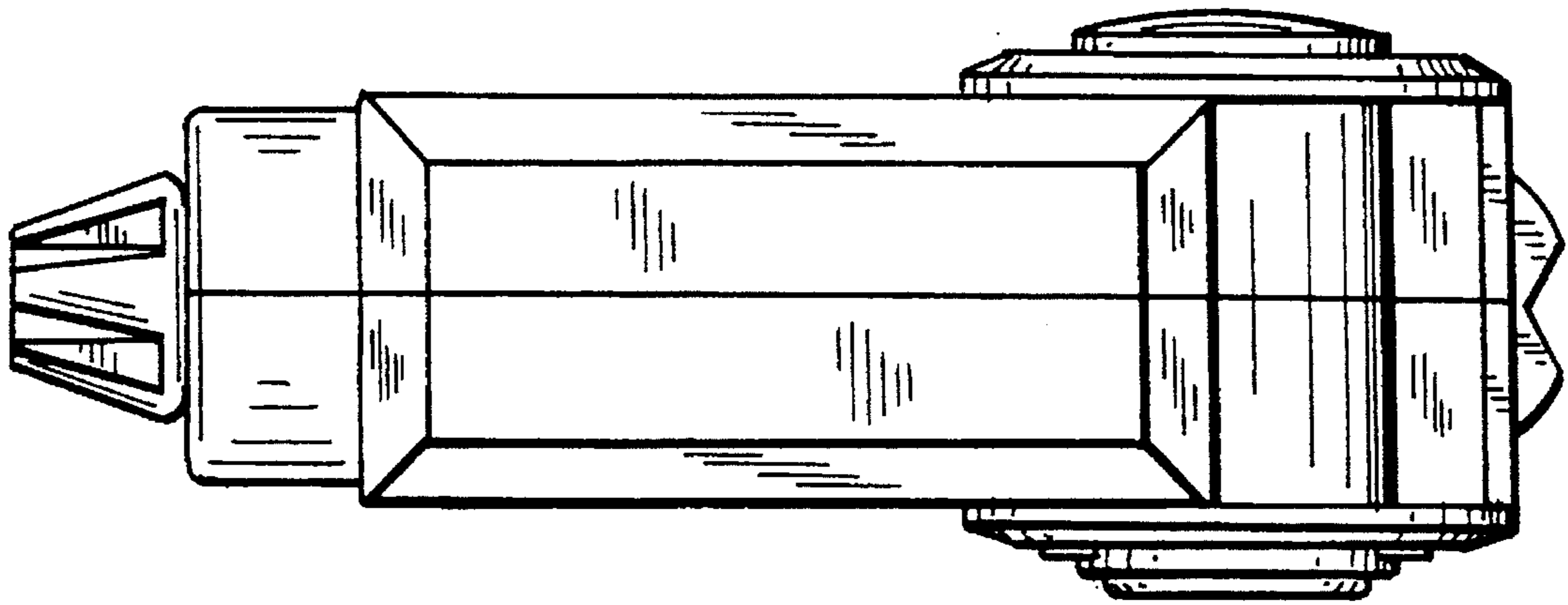


FIG. 6

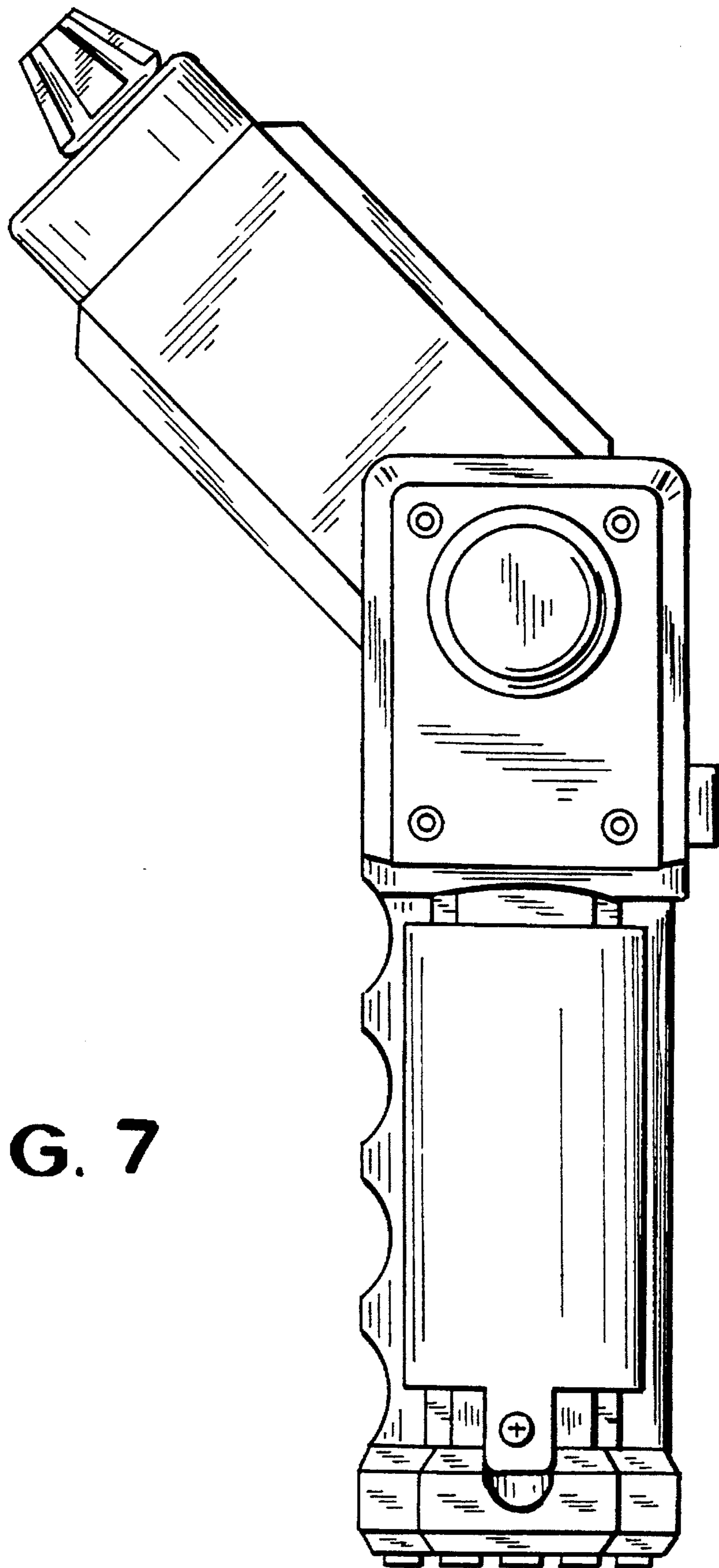


FIG. 7

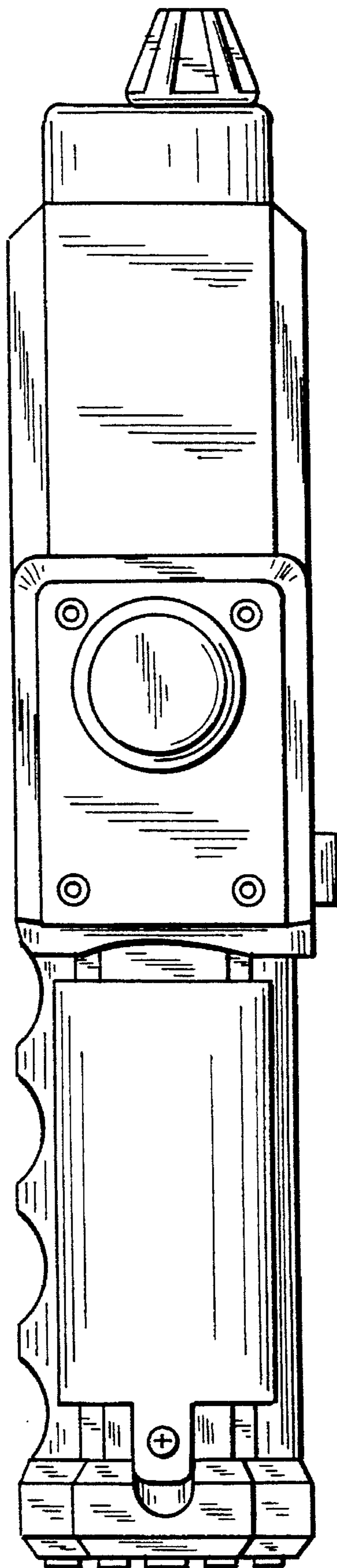


FIG. 8