



US00D377300S

United States Patent [19]

[11] Patent Number: **Des. 377,300**

Fredrick von Essen

[45] Date of Patent: ****Jan. 14, 1997**

[54] **TWO-HANDLED SHOVEL**

Primary Examiner—Brian N. Vinson
Attorney, Agent, or Firm—Richard C. Litman

[76] Inventor: **Hans P. Fredrick von Essen, 76**
Christopher St., Providence, R.I. 02904

[57] **CLAIM**

[**] Term: **14 Years**

The ornamental design for a two-handed shovel, as shown and described.

[21] Appl. No.: **44,133**

DESCRIPTION

[22] Filed: **Sep. 18, 1995**

[52] U.S. Cl. **D8/10**

[58] Field of Search **D8/10; 294/49,**
294/51, 55, 57, 58, 59

FIG. 1 is an environmental perspective view of a two-handed shovel showing my new design;
FIG. 2 is a front elevational view thereof;
FIG. 3 is a rear elevational view thereof;
FIG. 4 is a left side elevational view with the right side being a mirror image thereof;
FIG. 5 is a top plan view thereof; and,
FIG. 6 is a bottom plan view thereof.

[56] References Cited

U.S. PATENT DOCUMENTS

986,796	3/1911	Behm .	
1,945,430	1/1934	Garrett .	
4,050,728	9/1977	Davidson	294/58
4,198,090	4/1980	Gutman .	
4,787,661	11/1988	Rutledge	294/58
4,944,541	7/1990	Waldschmidt .	
5,054,830	10/1991	Nisenbaum .	
5,133,582	7/1992	Rocha .	

The broken line showing of the screws is for illustrative purposes only, merely disclosing the types of attachments which can be used, and forms no part of the claimed design. The broken line showing of a person in FIG. 1 is for environmental purposes only and forms no part of the claimed design.

1 Claim, 3 Drawing Sheets

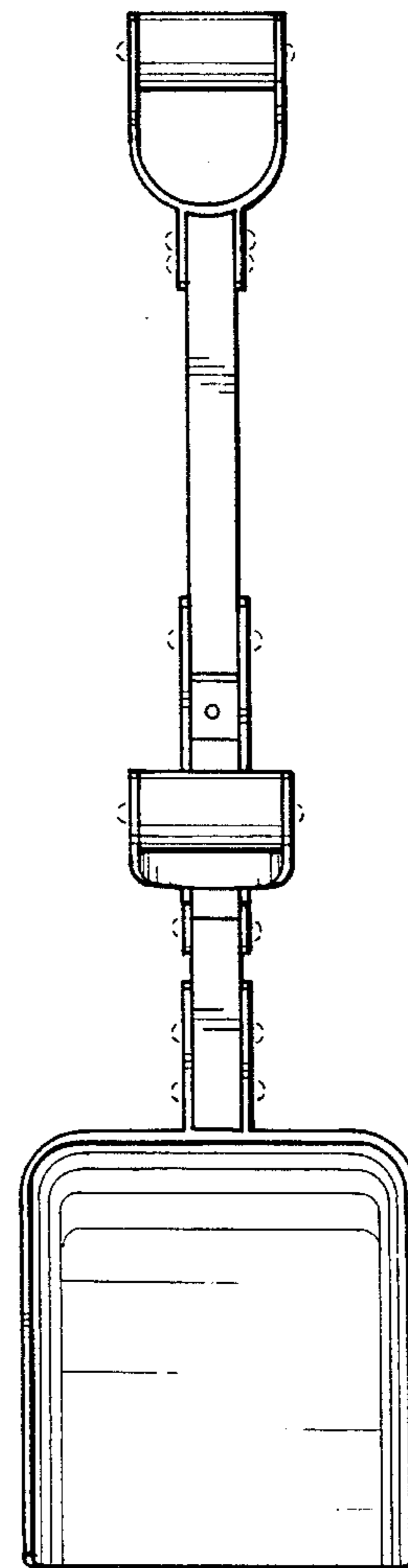


FIG. 1



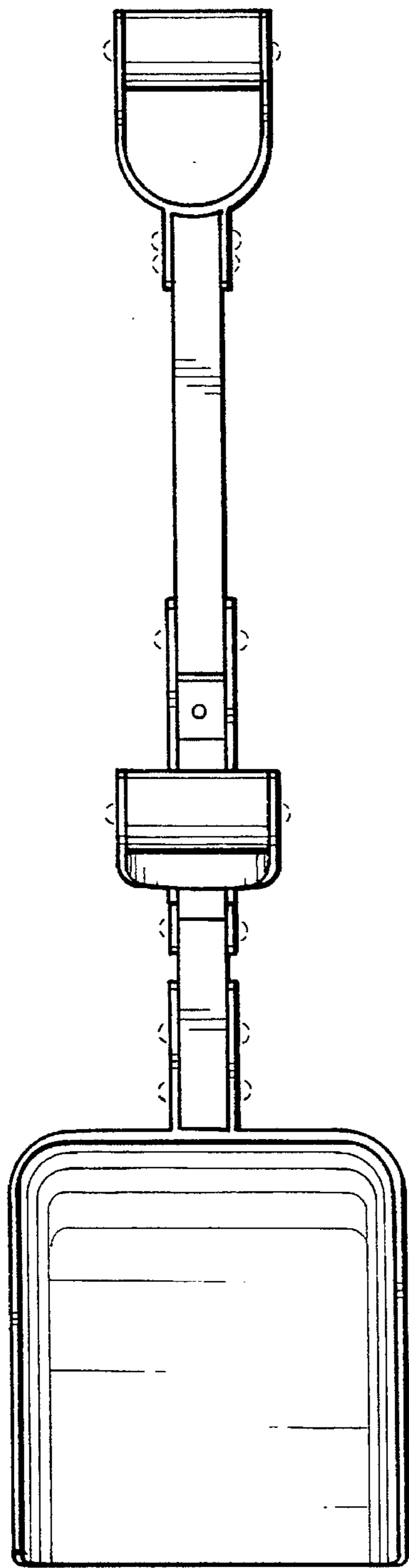


FIG. 2

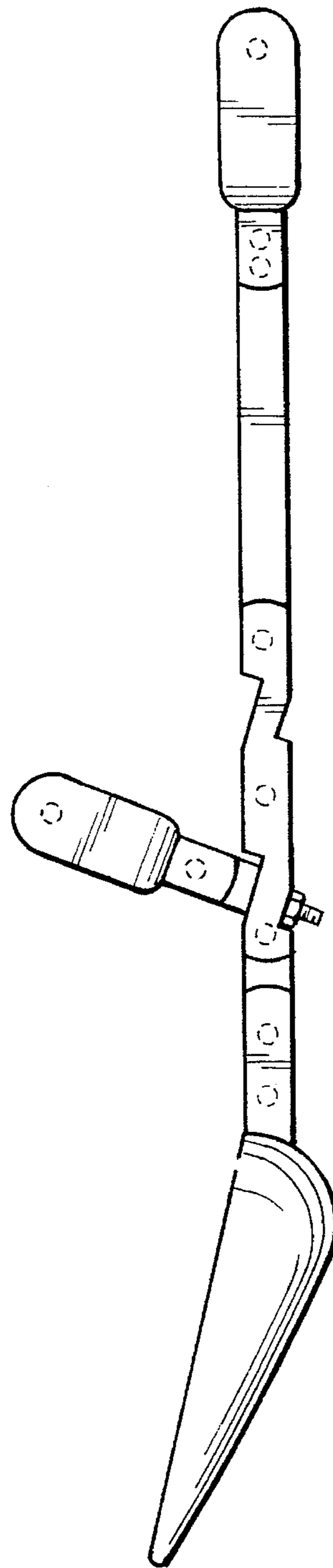


FIG. 4

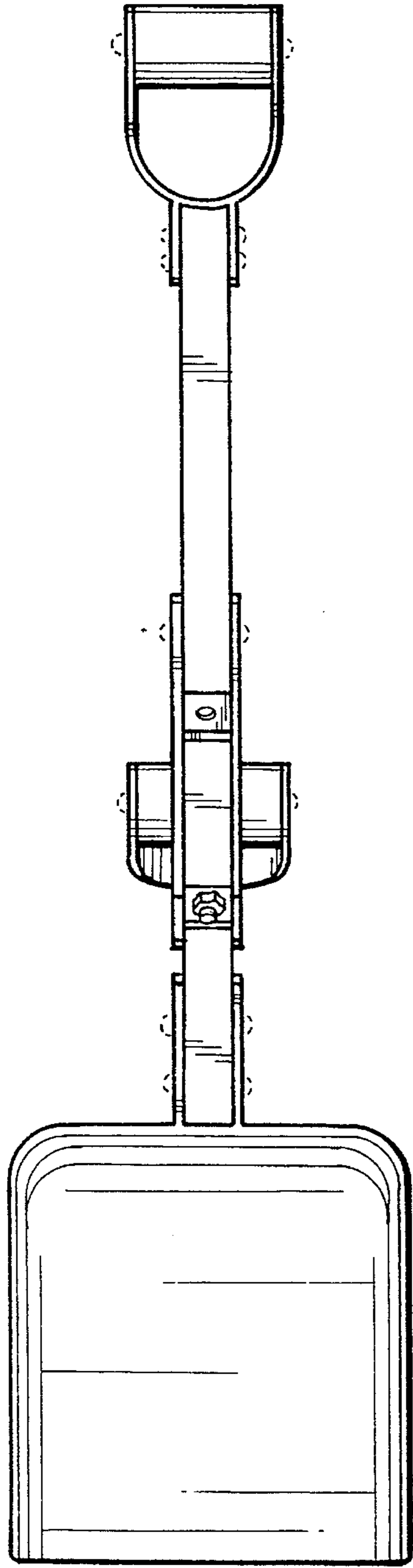


FIG. 3

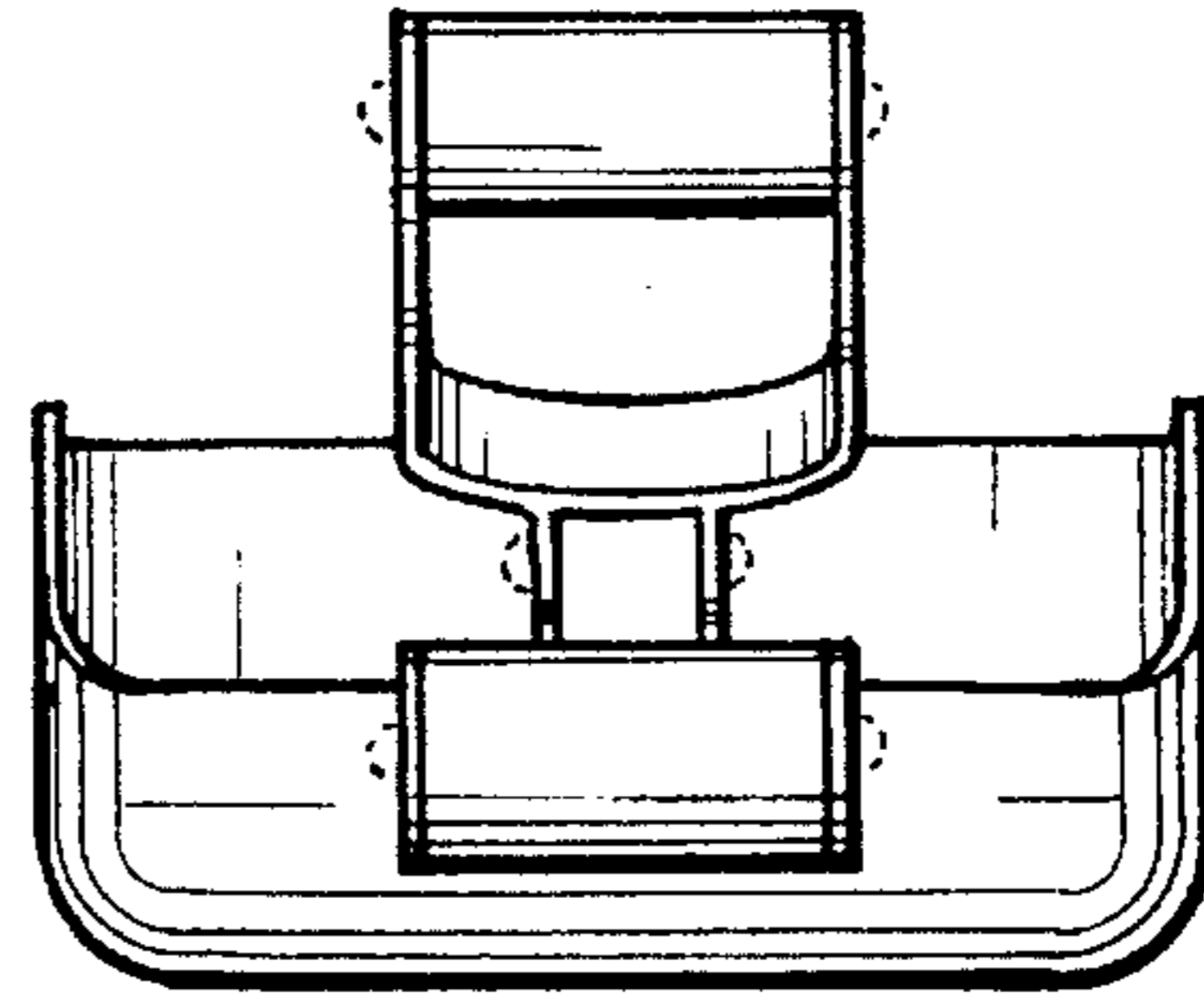


FIG. 5

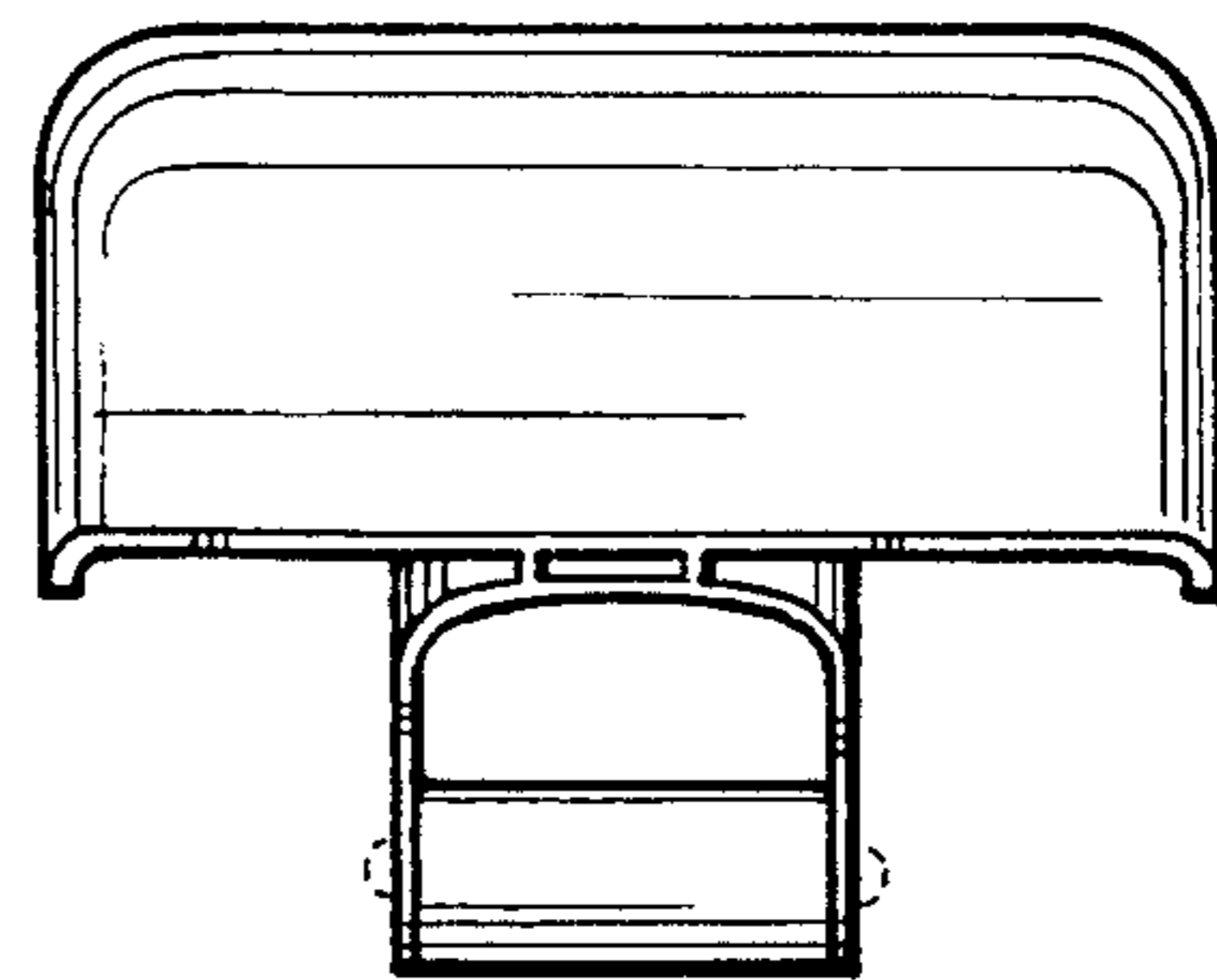


FIG. 6