



US00D377298S

United States Patent [19] Campbell

[11] Patent Number: **Des. 377,298**

[45] Date of Patent: ****Jan. 14, 1997**

[54] **BOTTLE RACK**

[76] Inventor: **D. Bruce Campbell**, 128 Ashford Drive, Mount Pearl, Newfoundland, Canada, A1N 3L6

[**] Term: **14 Years**

[21] Appl. No.: **38,192**

[22] Filed: **Apr. 24, 1995**

[52] U.S. Cl. **D7/708**

[58] Field of Search D7/701-708; D6/465, D6/468, 479; 211/71, 74, 191, 194

[56] **References Cited**

U.S. PATENT DOCUMENTS

D. 193,258	7/1962	McPhail	D6/468
3,606,023	9/1971	Edmunds	D7/701 X
5,169,009	12/1992	Bomze	211/74

OTHER PUBLICATIONS

Better Homes & Gardens, Feb./1984, p. 80, bottle rack #92.
Gifts & Decorating Accessories, Aug./1972, p. 163, wine rack.
Ma-Leck Catalogue, 1980, p. 10, wine rack, #3034, 3013, 3036.

Best, 1993, p. 189, wine rack #17.

Primary Examiner—Terry A. Wallace

[57] **CLAIM**

The ornamental design for a bottle rack, as shown and described.

DESCRIPTION

FIG. 1 is an exploded top, front, right side perspective view of a bottle rack showing my new design;

FIG. 2 is an exploded top, rear, left side perspective view thereof;

FIG. 3 is a top, front, right side perspective view thereof;

FIG. 4 is an exploded top, front right side perspective view of an alternate embodiment of FIG. 1;

FIG. 5 is an exploded top, rear, left side perspective view of FIG. 4;

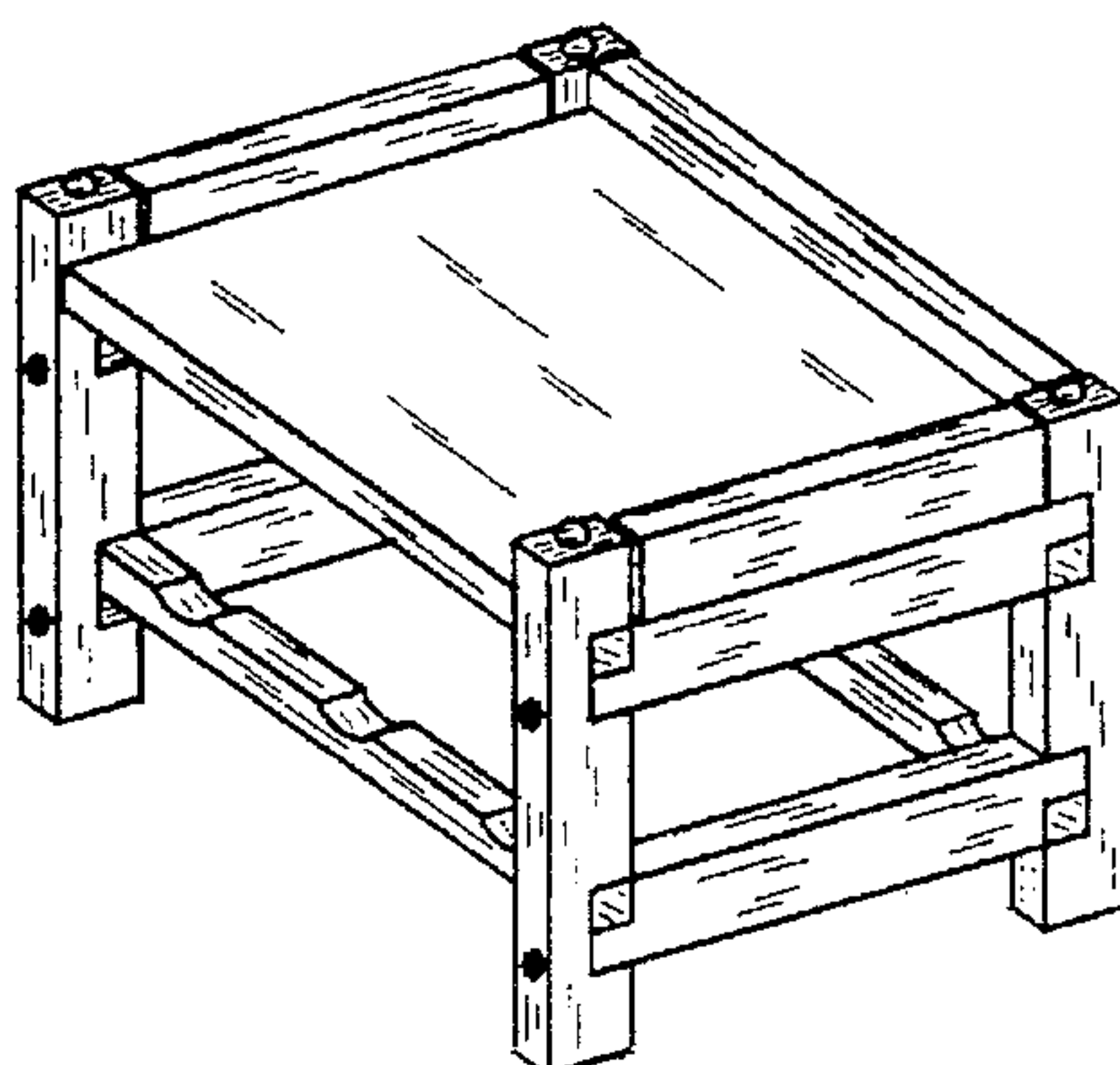
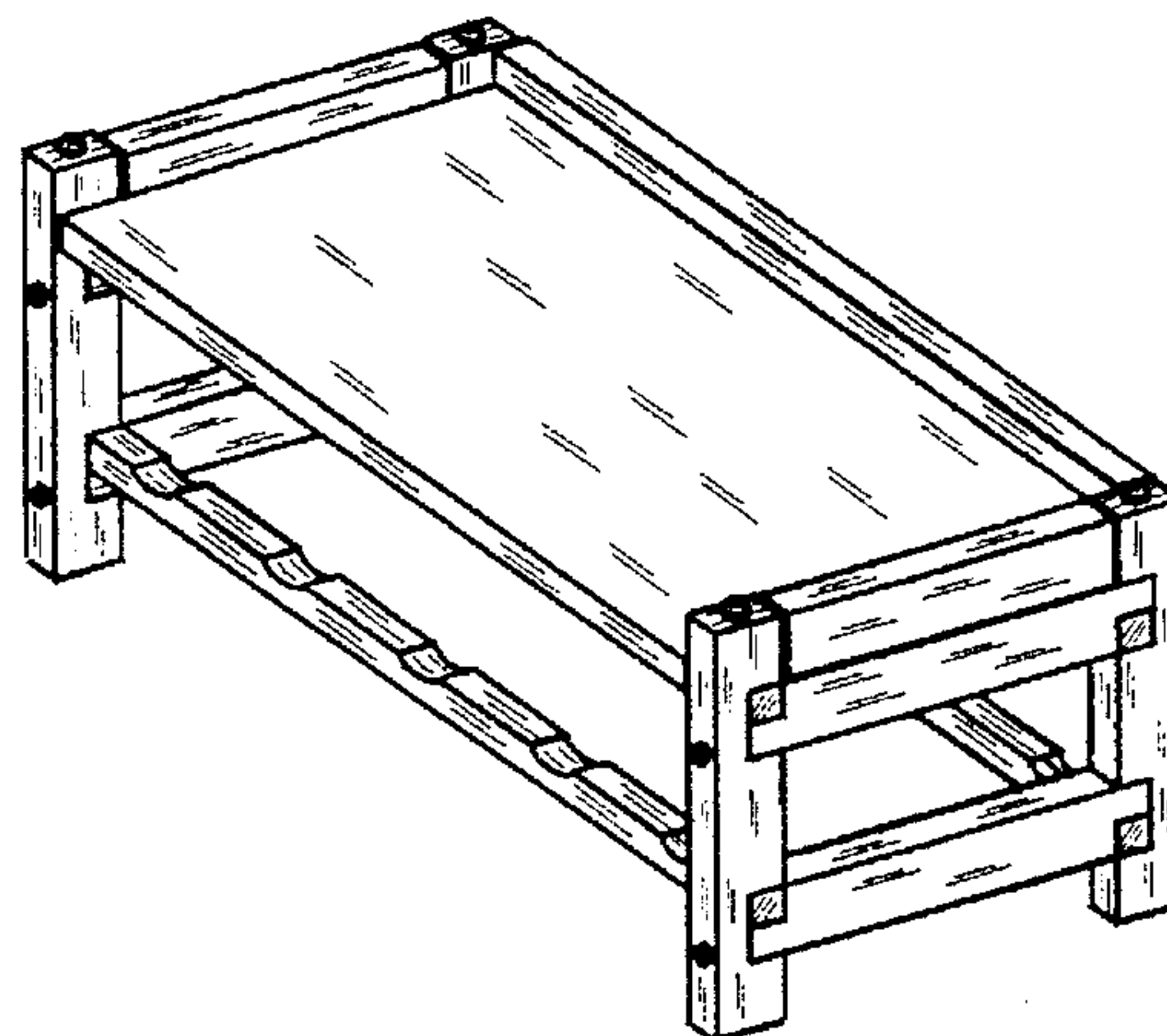
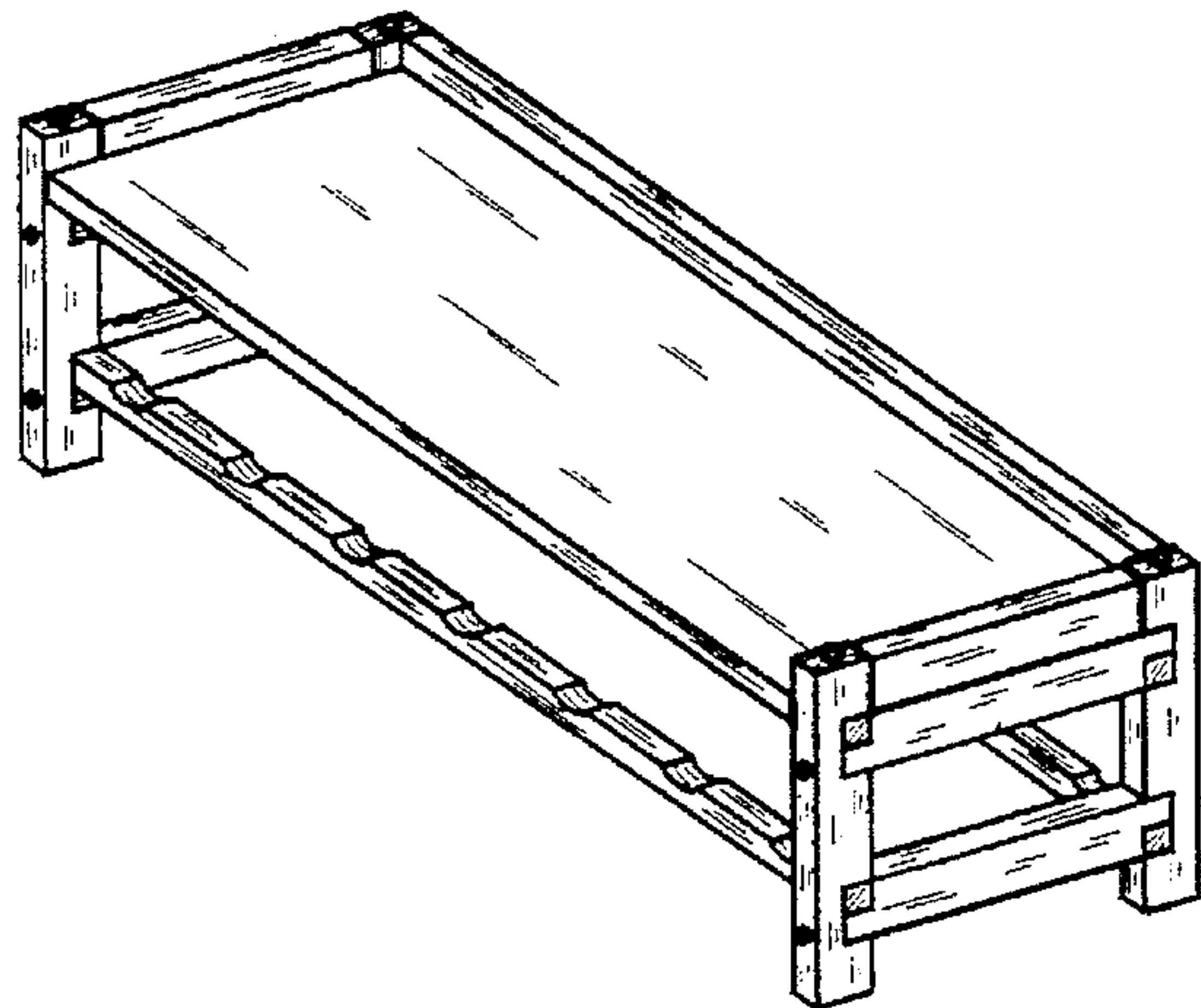
FIG. 6 is a top, front, right side perspective view of FIG. 4;

FIG. 7 is an exploded top, front, right side perspective view of an alternate embodiment of FIG. 1;

FIG. 8 is an exploded top, rear, left side perspective view of FIG. 7; and,

FIG. 9 is a top, front, right side perspective view of FIG. 7.

1 Claim, 3 Drawing Sheets



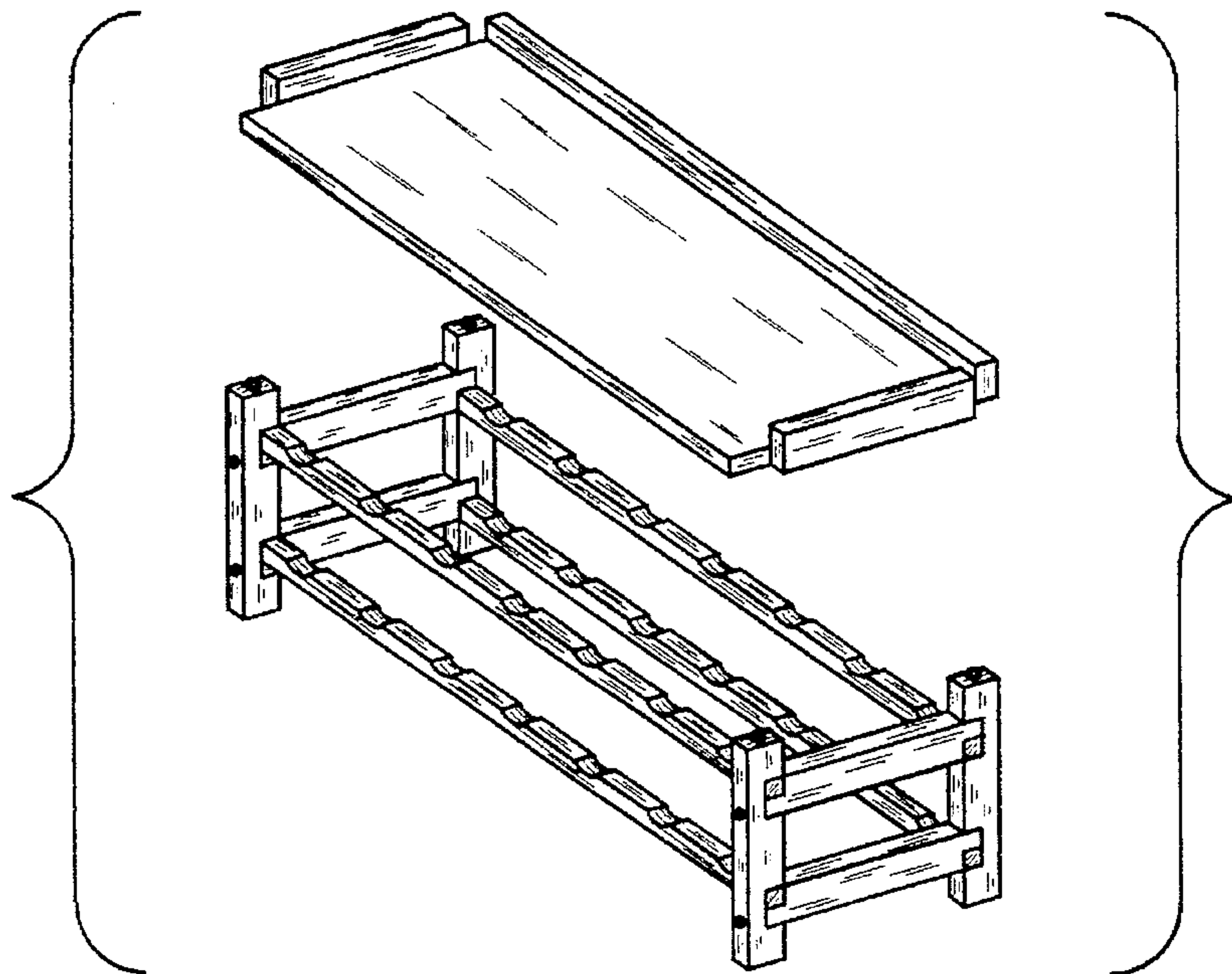


Fig. 1

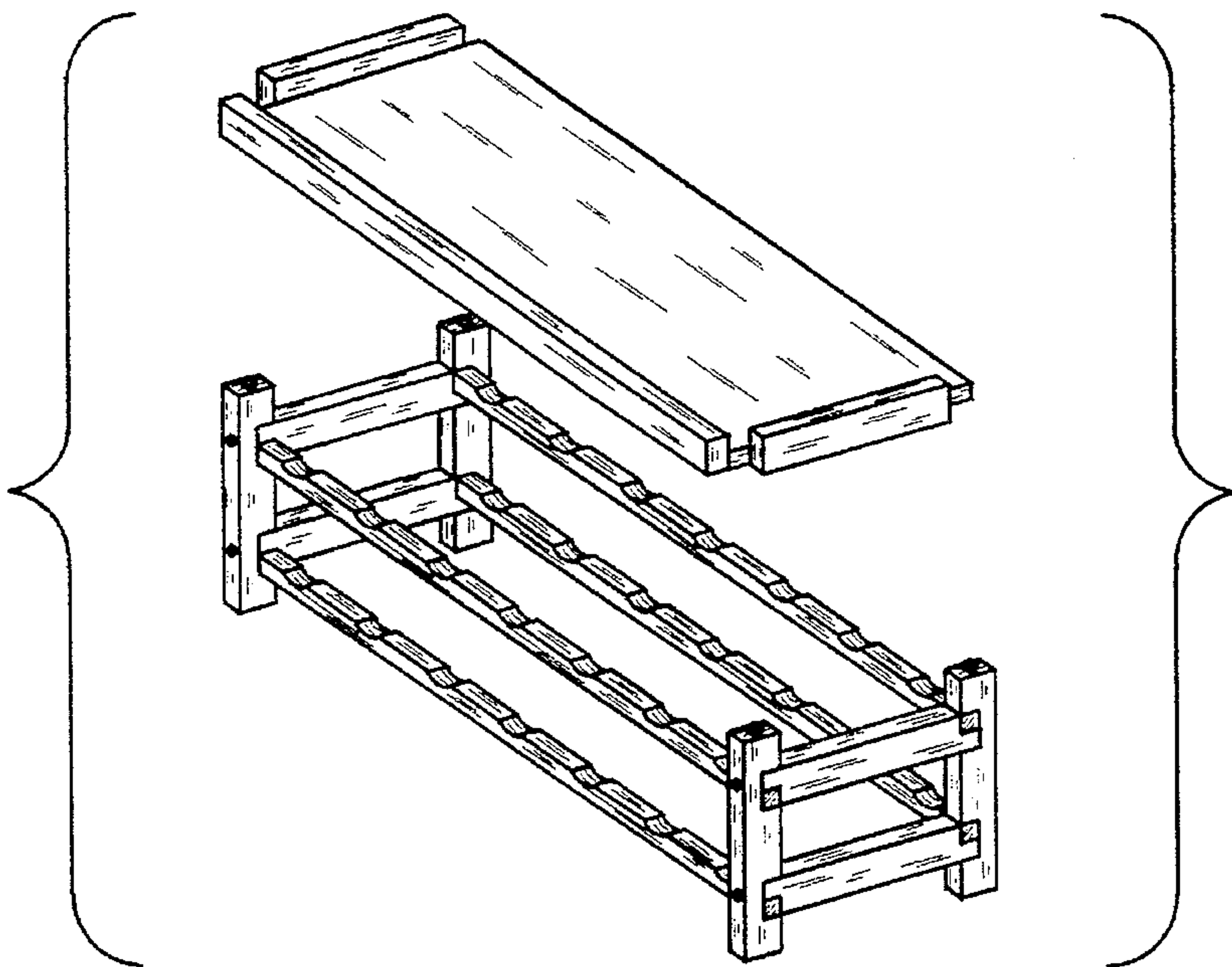


Fig. 2

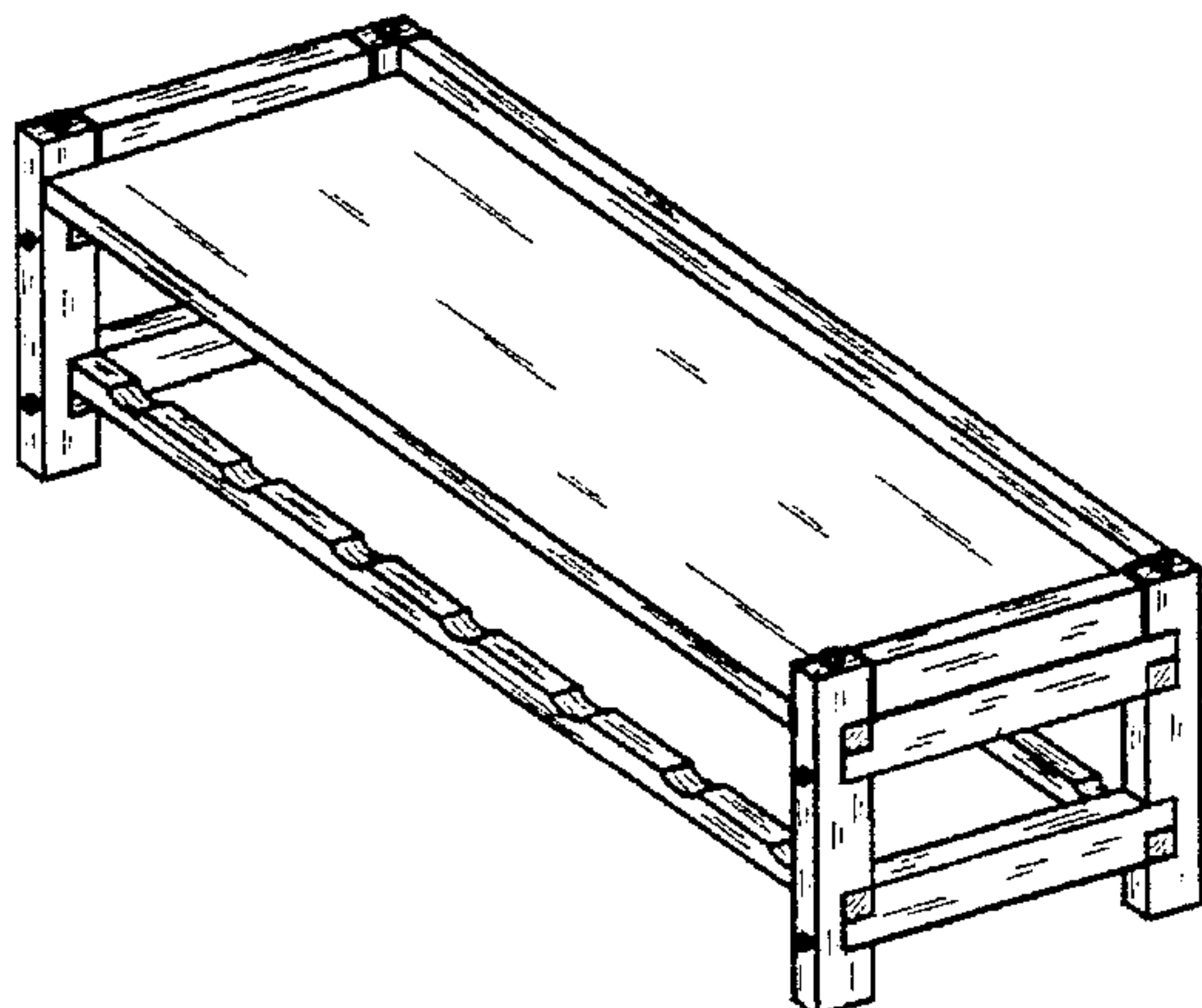


Fig. 3

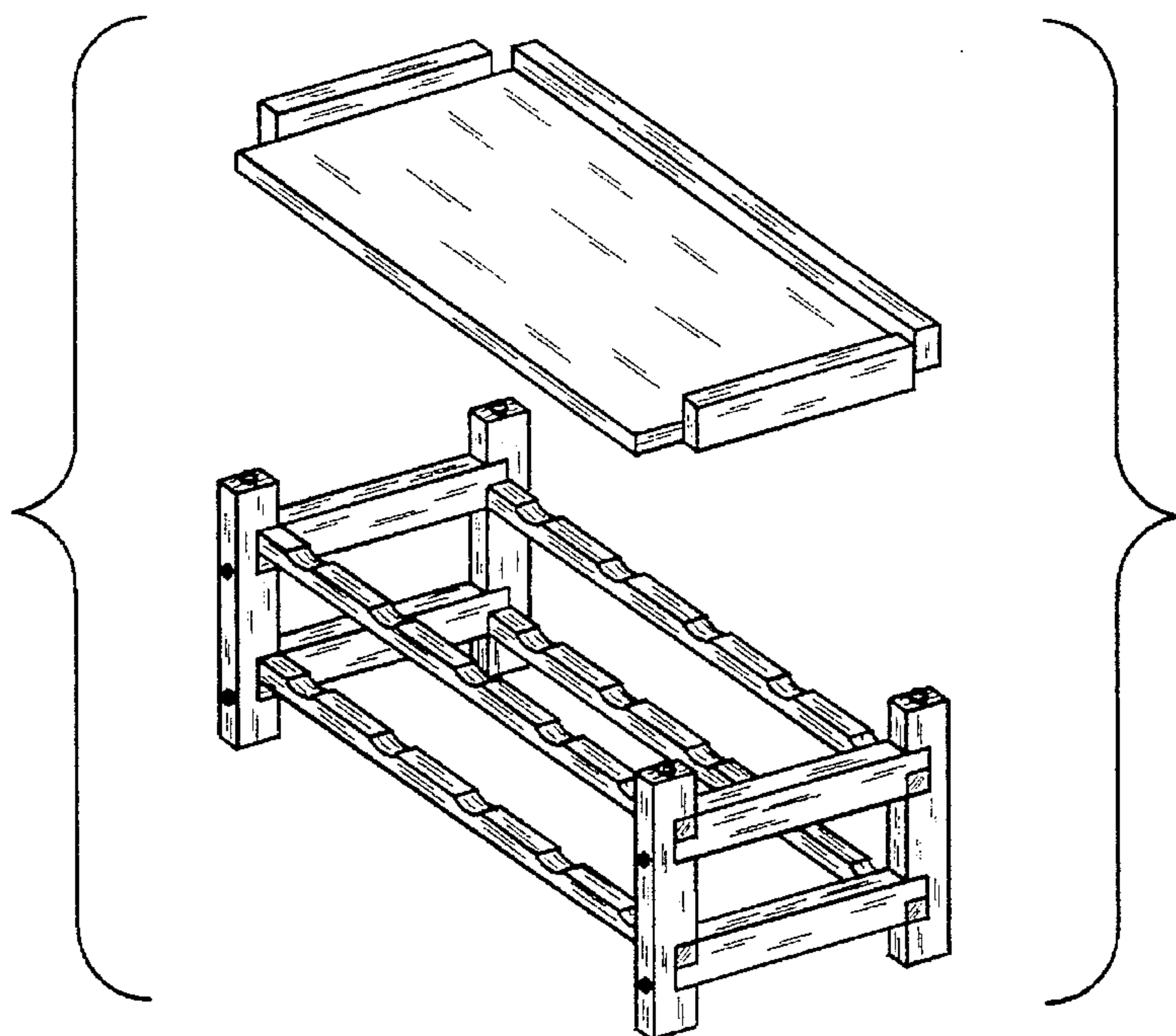


Fig. 4

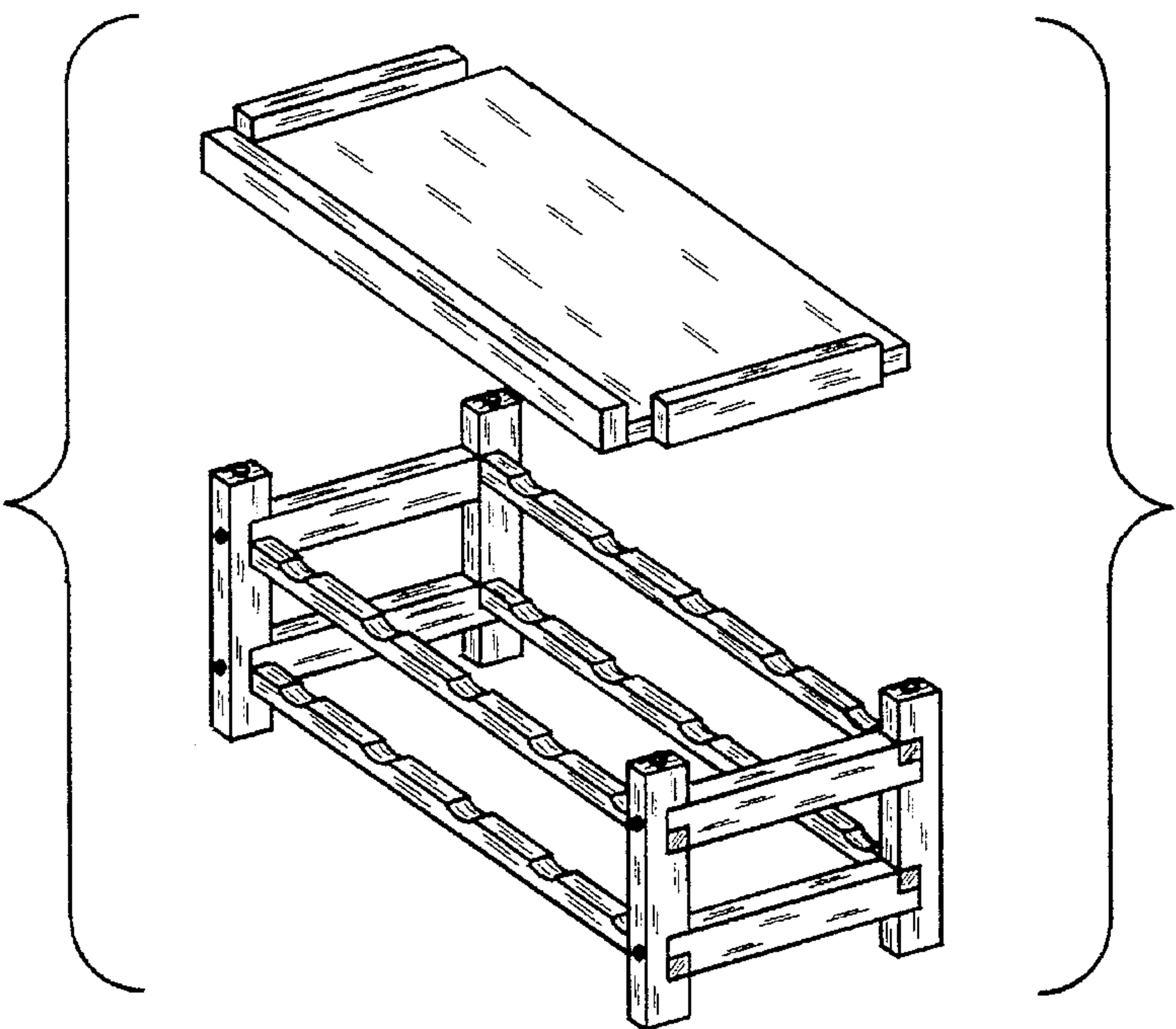


Fig. 5

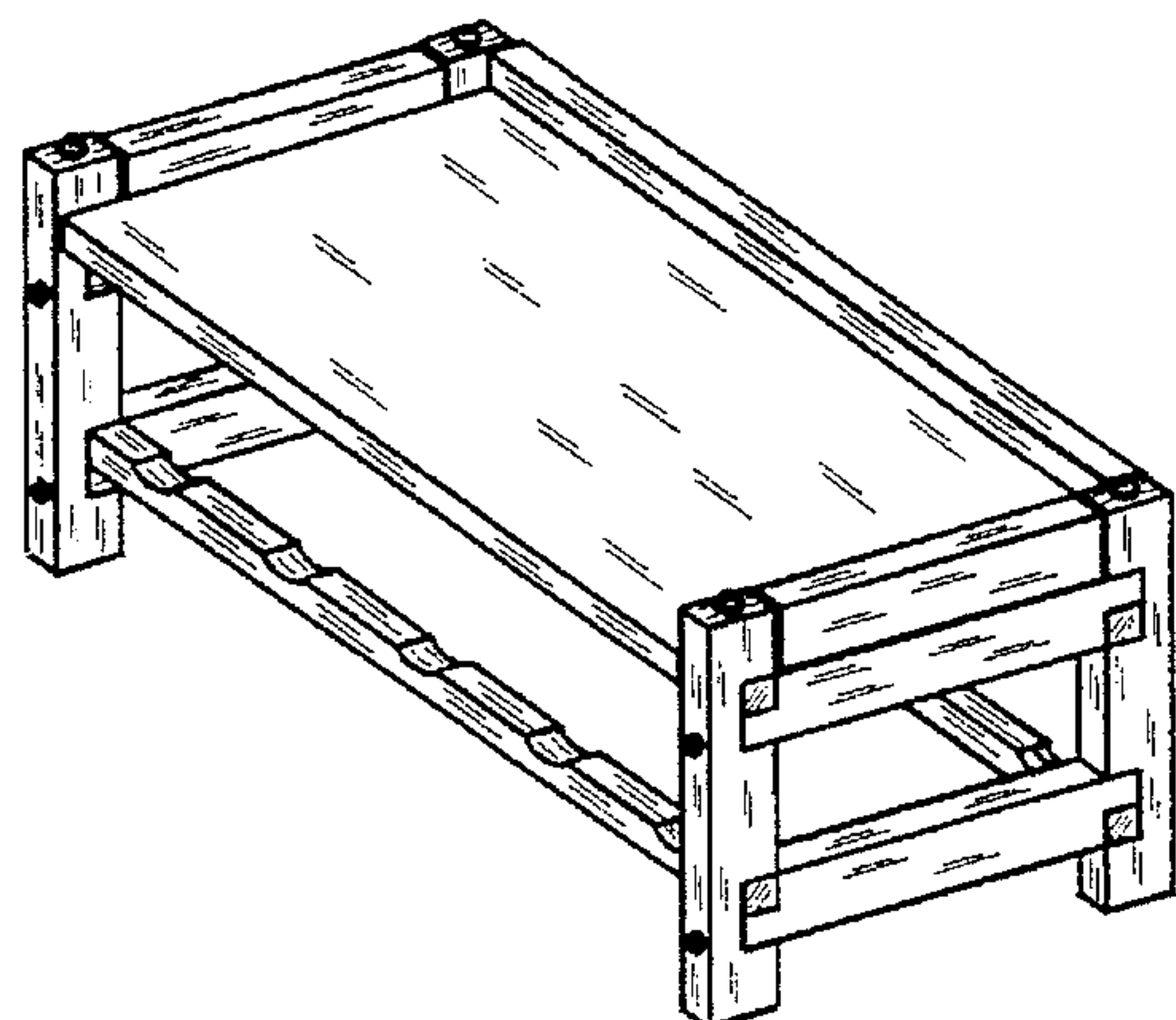


Fig. 6

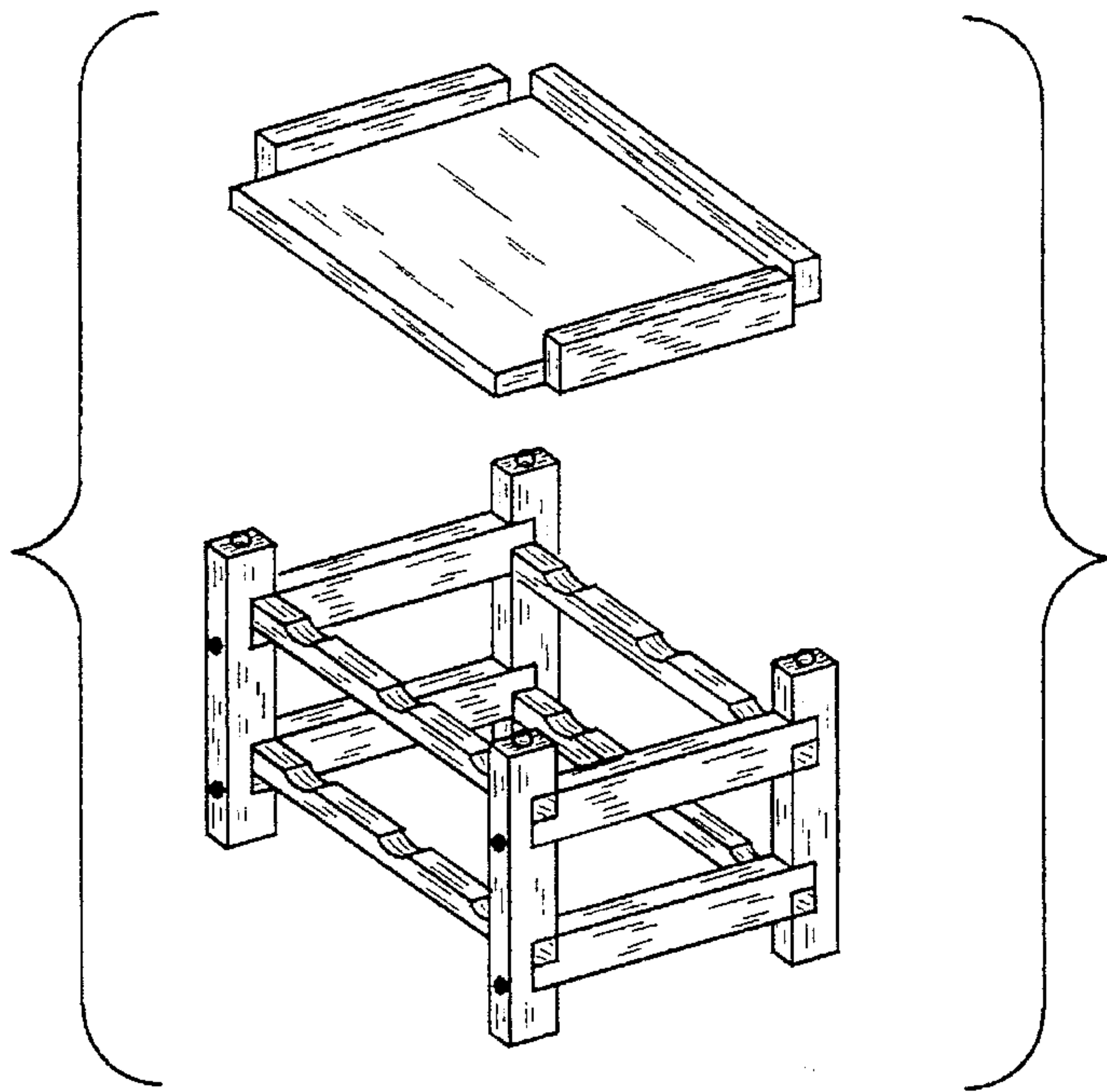


Fig. 7

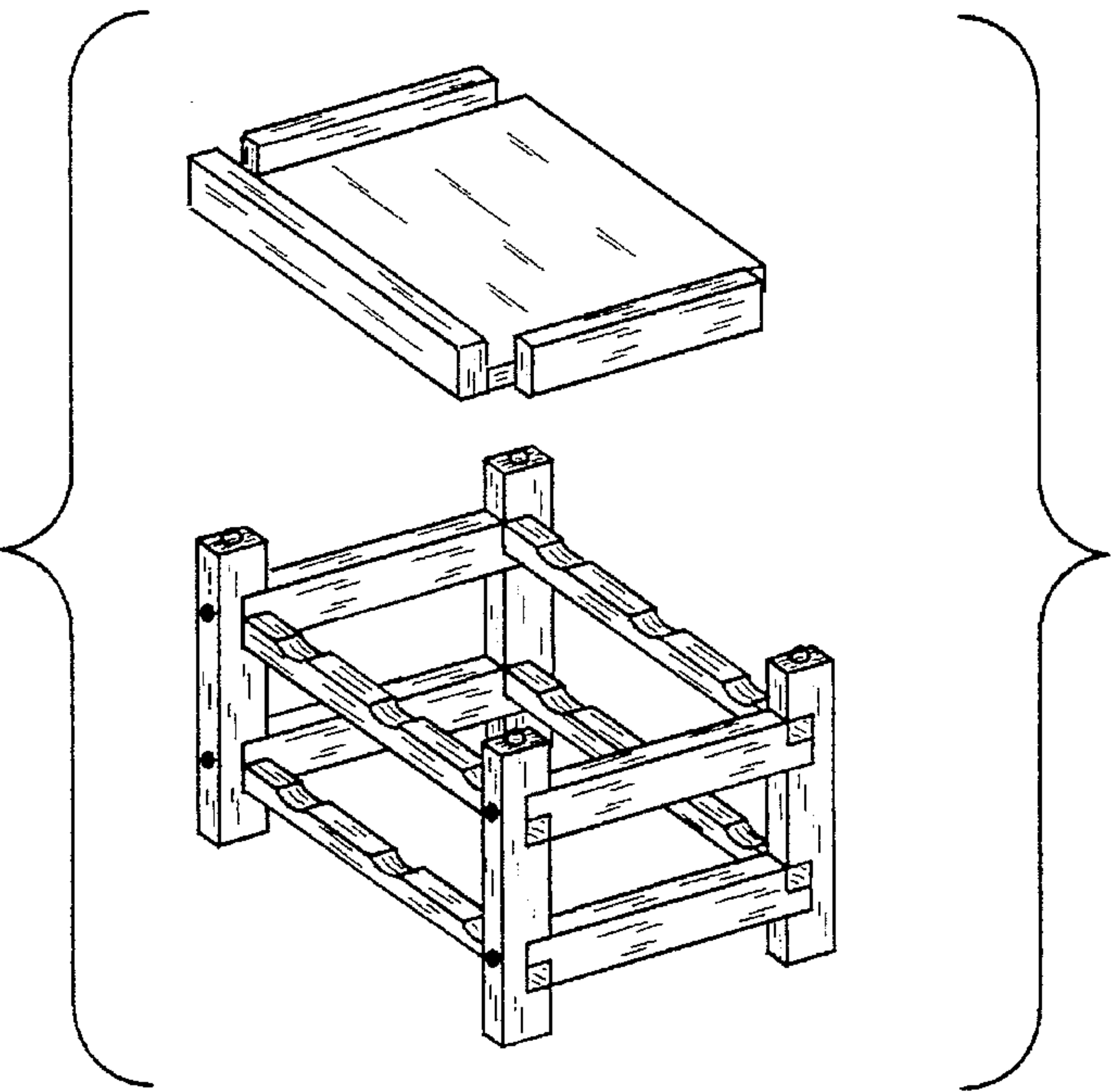


Fig. 8

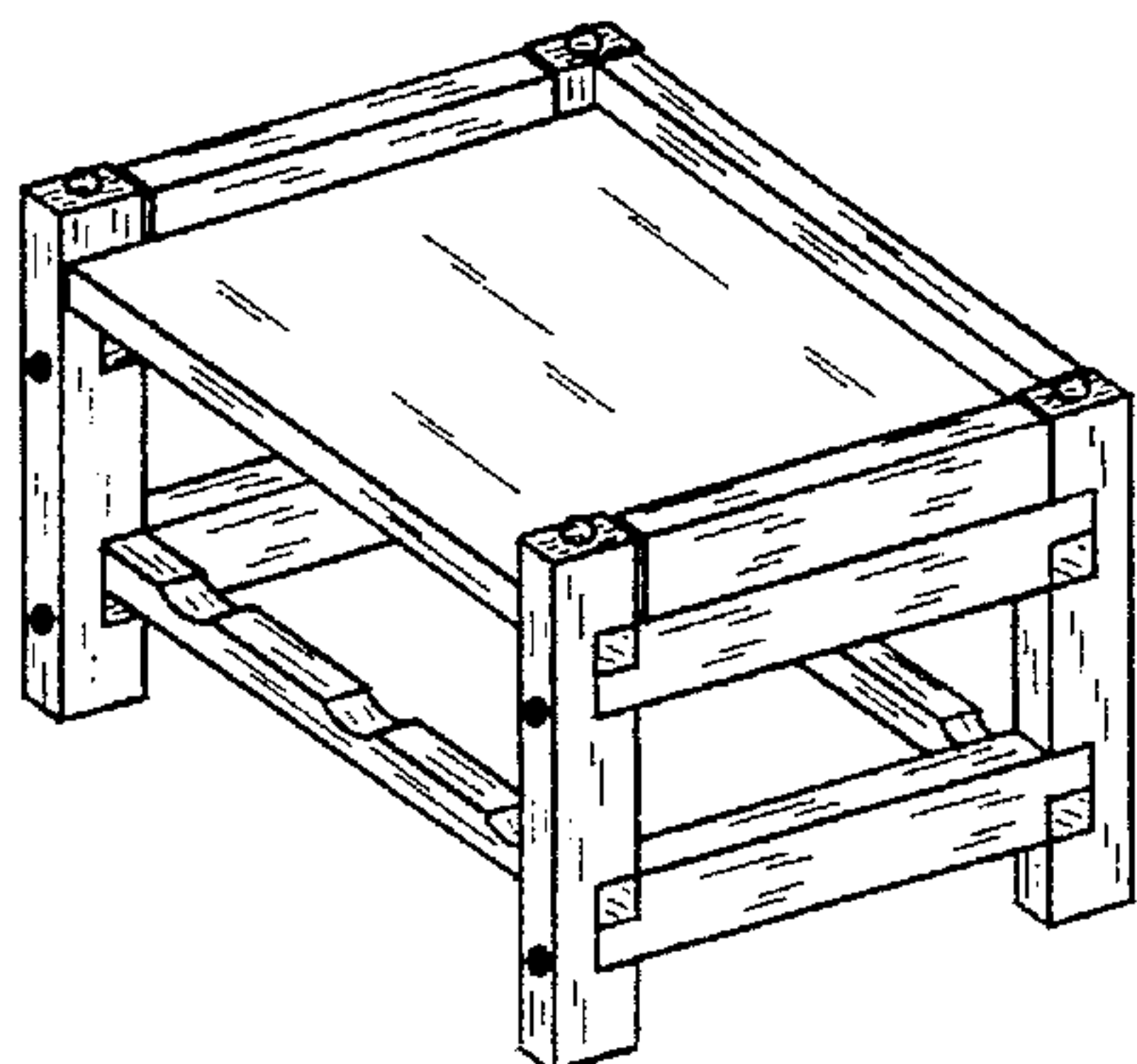


Fig. 9