



US00D377289S

United States Patent [19] Credle, Jr.

[11] Patent Number: **Des. 377,289**

[45] Date of Patent: ****Jan. 14, 1997**

[54] **HOUSING FOR A BEVERAGE DISPENSER**

D. 362,581 9/1995 Rogers D7/300 X
4,699,282 10/1987 Farrar .
5,305,924 4/1994 Groover et al. 222/129.1

[75] Inventor: **William S. Credle, Jr.**, Stone Mountain, Ga.

FOREIGN PATENT DOCUMENTS

[73] Assignee: **The Coca-Cola Company**, Atlanta, Ga.

9402039 2/1994 WIPO D20/3

[**] Term: **14 Years**

Primary Examiner—M. N. Pandozzi
Attorney, Agent, or Firm—Birch, Stewart, Kolasch & Birch, LLP

[21] Appl. No.: **39,736**

[22] Filed: **Jun. 5, 1995**

[52] U.S. Cl. **D7/301; D7/307; D7/308**

[58] Field of Search D7/301, 308, 300, D7/304, 305, 306, 307, 392, 397, 313; D9/307; 222/129.1, 129.2, 129.3, 129.4; D20/3

[57] **CLAIM**

The ornamental design of a housing for a beverage dispenser, as shown and described.

DESCRIPTION

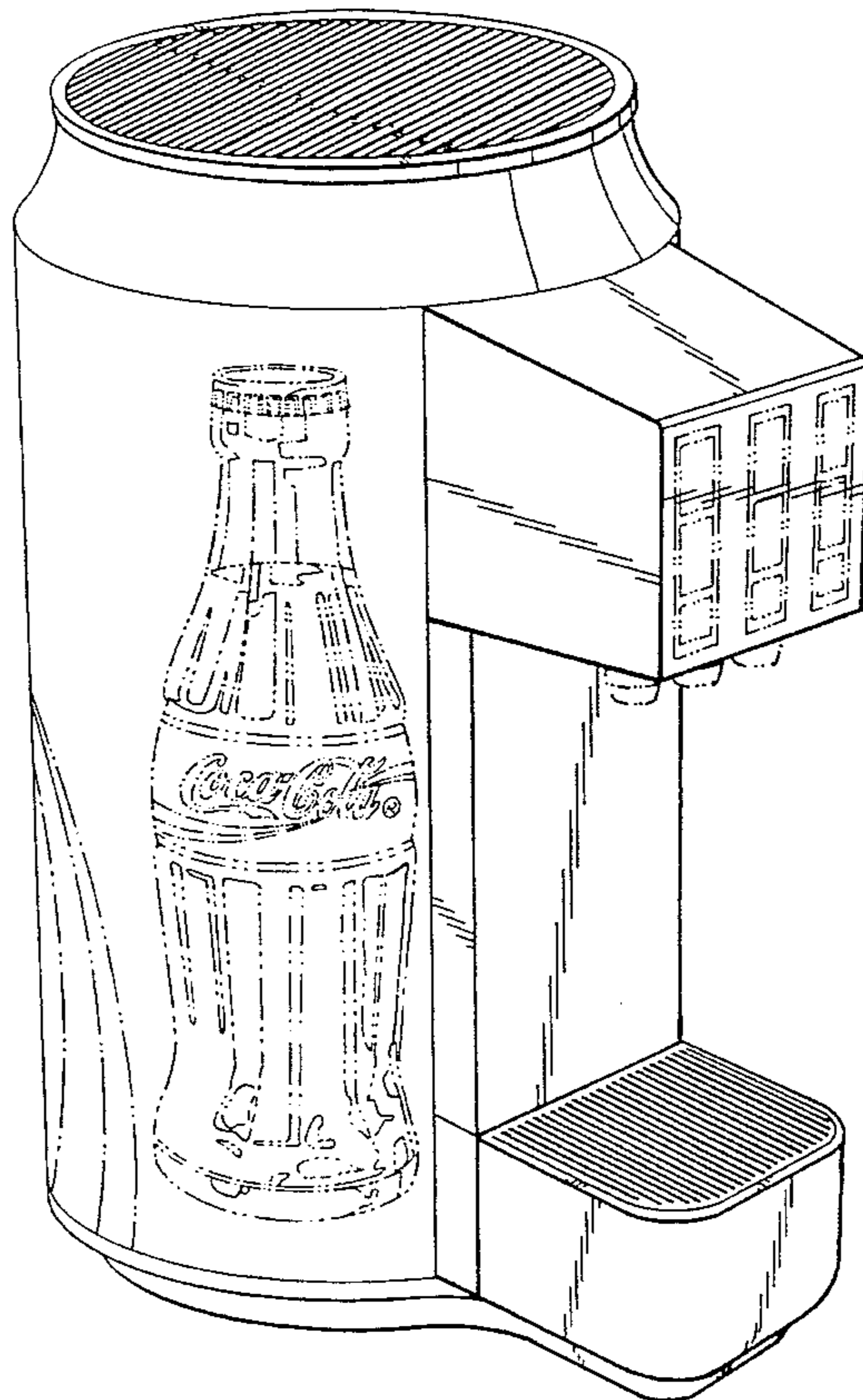
FIG. 1 is a top, left, front perspective view of a housing for a beverage dispenser showing our new design; FIG. 2 is a front elevational view of the housing for a beverage dispenser of FIG. 1; FIG. 3 is a top plan view of the housing for a beverage dispenser of FIG. 1; FIG. 4 is a rear elevational view of the housing for a beverage dispenser of FIG. 1; FIG. 5 is a bottom plan view of the housing for a beverage dispenser of FIG. 1; and, FIG. 6 is a left side elevational view of the housing for a beverage dispenser of FIG. 1. The broken line showings are for environmental purposes only and form no part of the claimed design.

[56] **References Cited**

U.S. PATENT DOCUMENTS

D. 78,870	6/1929	Wohl	D7/301
D. 82,798	12/1930	Crosby	.	
D. 87,246	6/1932	Wagner	.	
D. 91,479	2/1934	Du Par	D7/301
D. 169,793	6/1953	Sieling	D7/301 X
D. 174,237	3/1955	Sieling	D7/301
D. 271,877	12/1983	Hoff	D7/313 X
D. 275,924	10/1984	Andrews, Jr.	D7/306 X
D. 314,418	2/1991	Frilsen	D7/301 X
D. 323,267	1/1992	Bidwell	.	
D. 338,137	8/1993	Ochs	.	
D. 347,362	5/1994	Redmon	.	
D. 349,218	8/1994	Evans	.	

1 Claim, 4 Drawing Sheets



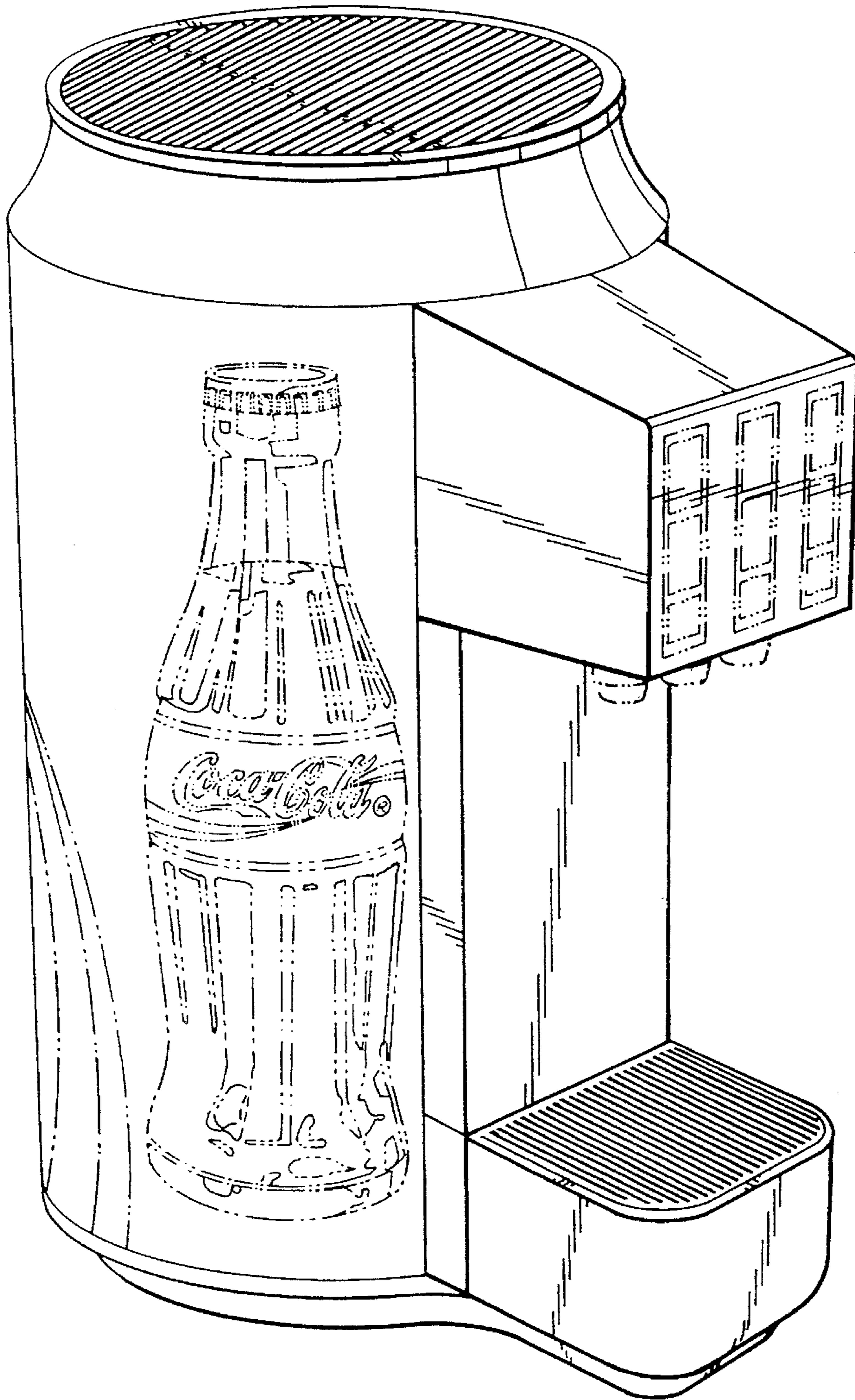


FIG 1

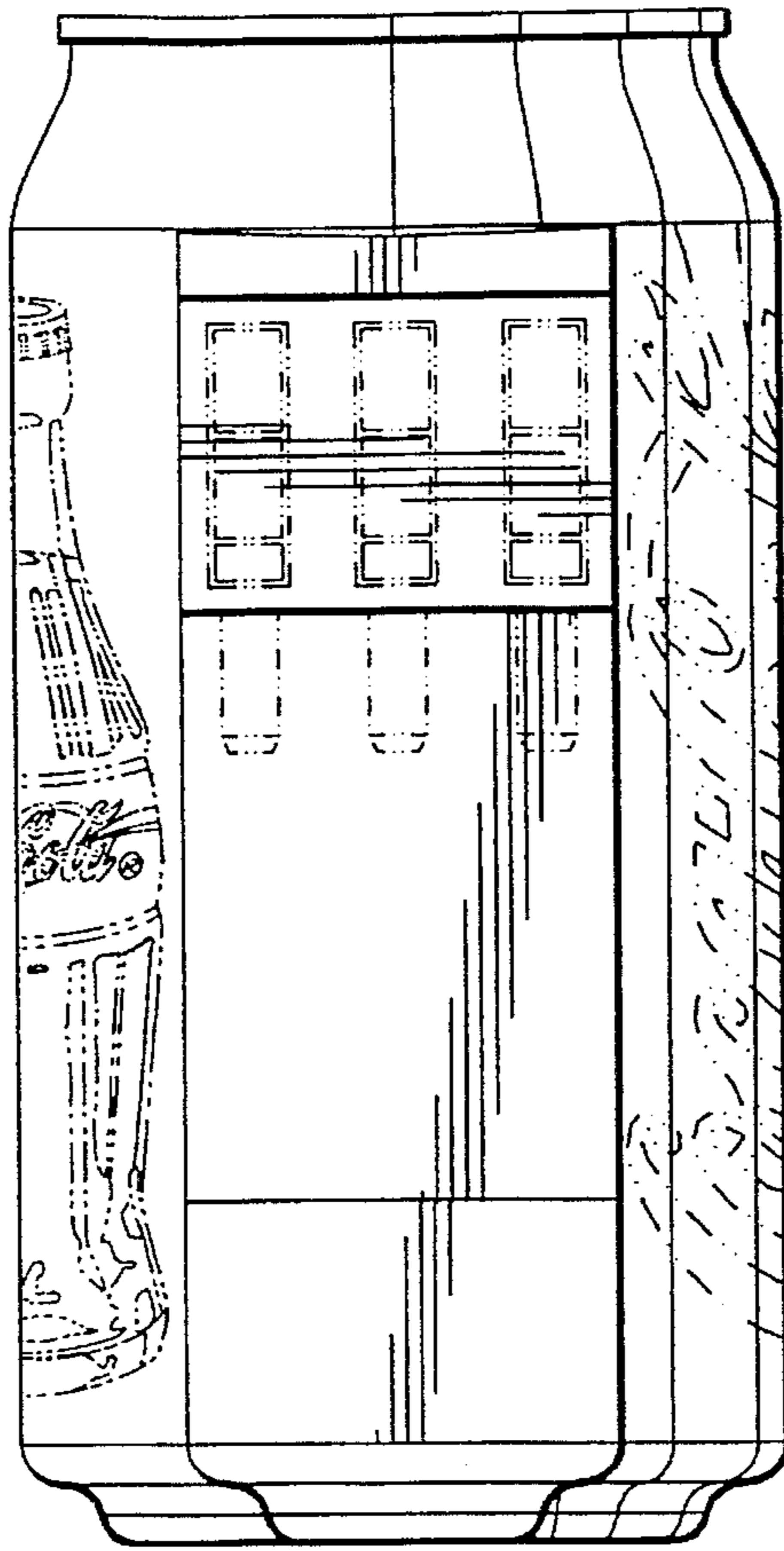


FIG 2

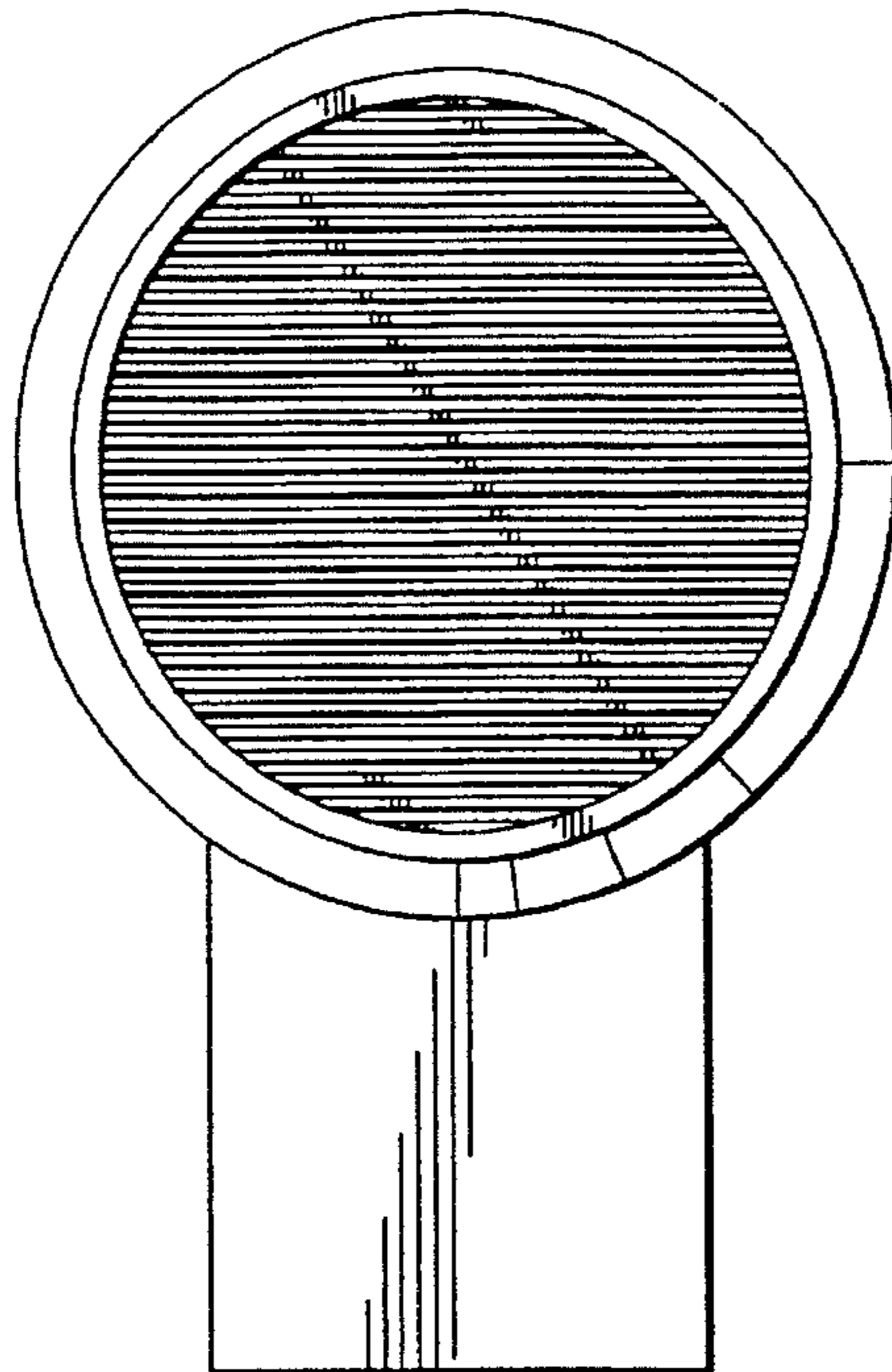


FIG 3

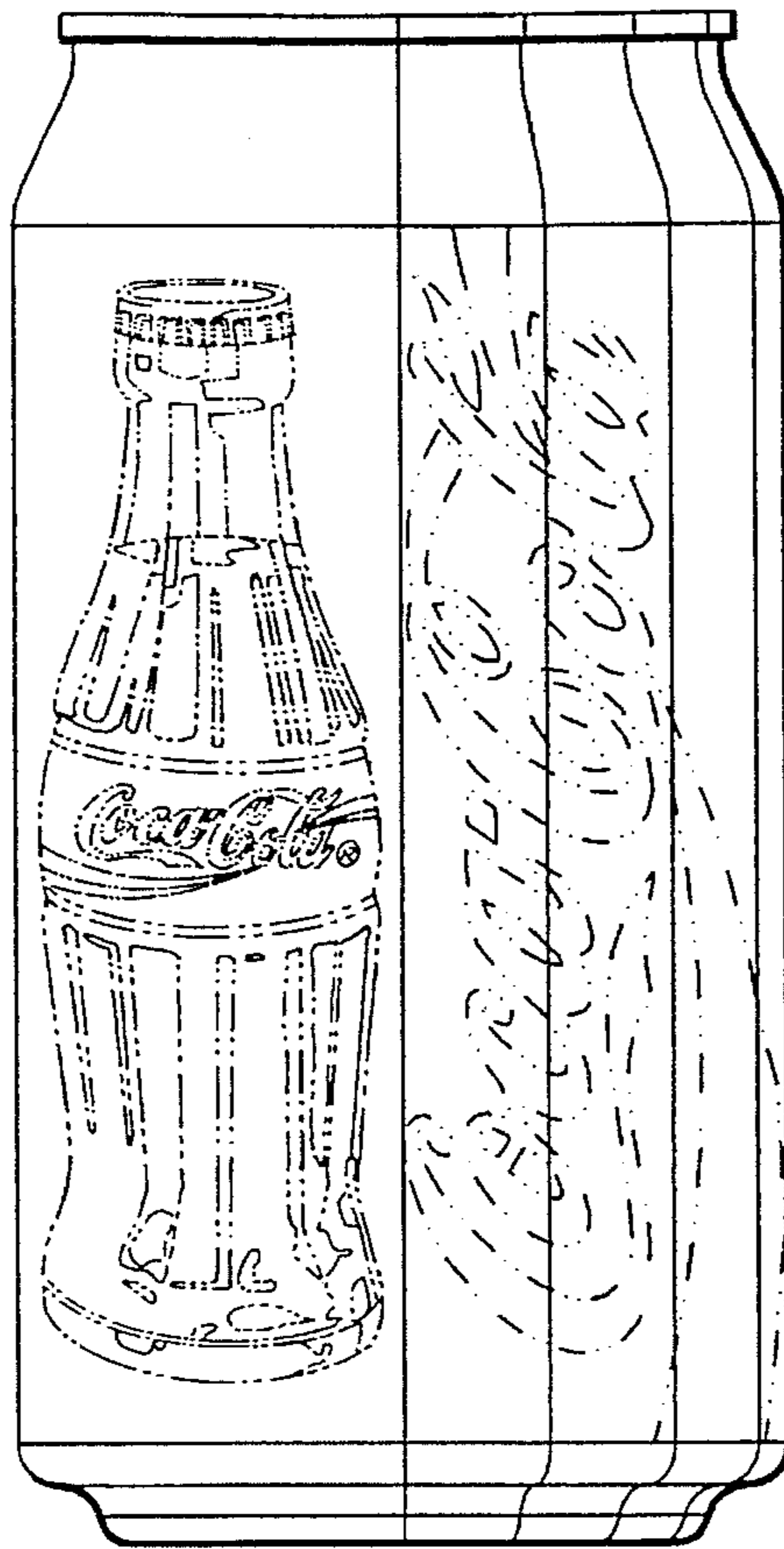


FIG 4

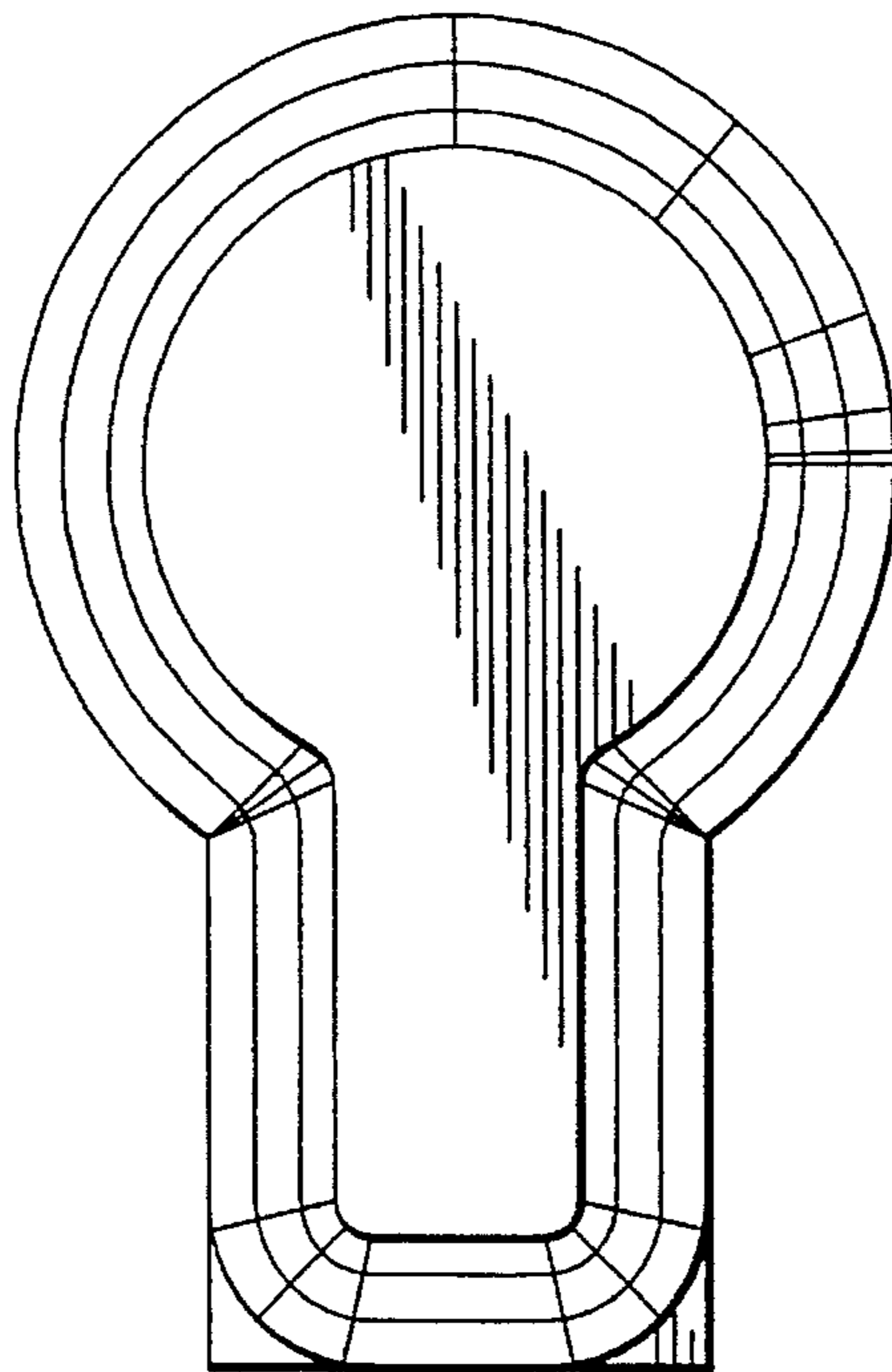


FIG 5

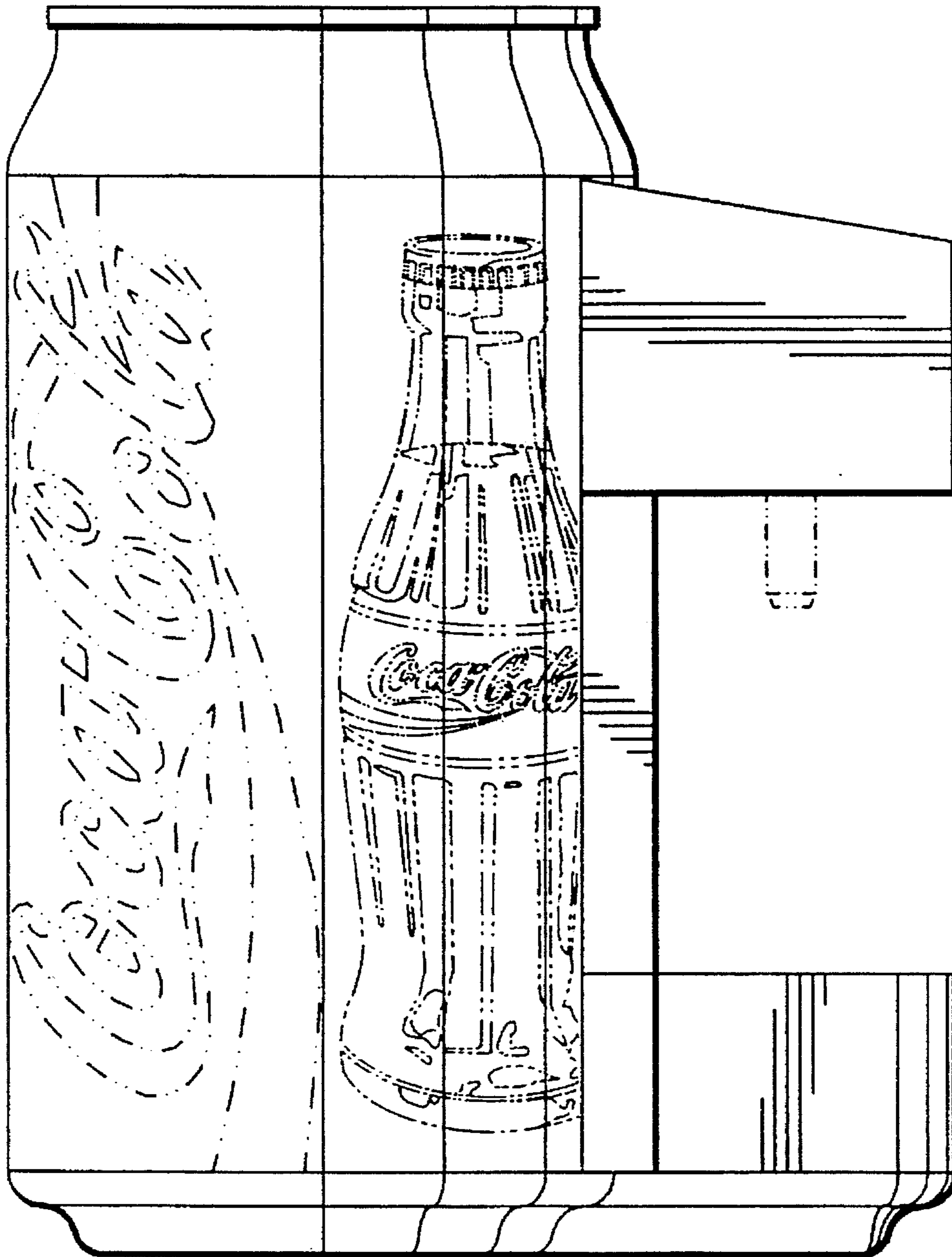


FIG 6