



US00D377285S

# United States Patent [19]

Lynch et al.

[11] Patent Number: **Des. 377,285**

[45] Date of Patent: **\*\*Jan. 14, 1997**

[54] **BATH TOWEL RACK AND BATHING ACCESSORY HOLDER**

D. 335,232 5/1993 Whitlock ..... D6/525  
4,398,309 8/1983 Simons ..... D6/525 X

[76] Inventors: **Jarvis D. Lynch; Pauline M. Lynch**,  
both of 7139 Prestwick Ct., University  
Park, Fla. 34201

*Primary Examiner*—Brian N. Vinson  
*Attorney, Agent, or Firm*—Oldham & Oldham Co., LPA

[\*\*] Term: **14 Years**

[57] **CLAIM**

The ornamental design for a bath towel rack and bathing accessory holder, as shown and described.

[21] Appl. No.: **39,273**

**DESCRIPTION**

[22] Filed: **May 15, 1995**

[52] U.S. Cl. .... **D6/524; D6/525**

[58] Field of Search ..... D6/512-514, 525,  
D6/546, 548; 211/10, 13, 71, 86, 87, 105.1,  
123

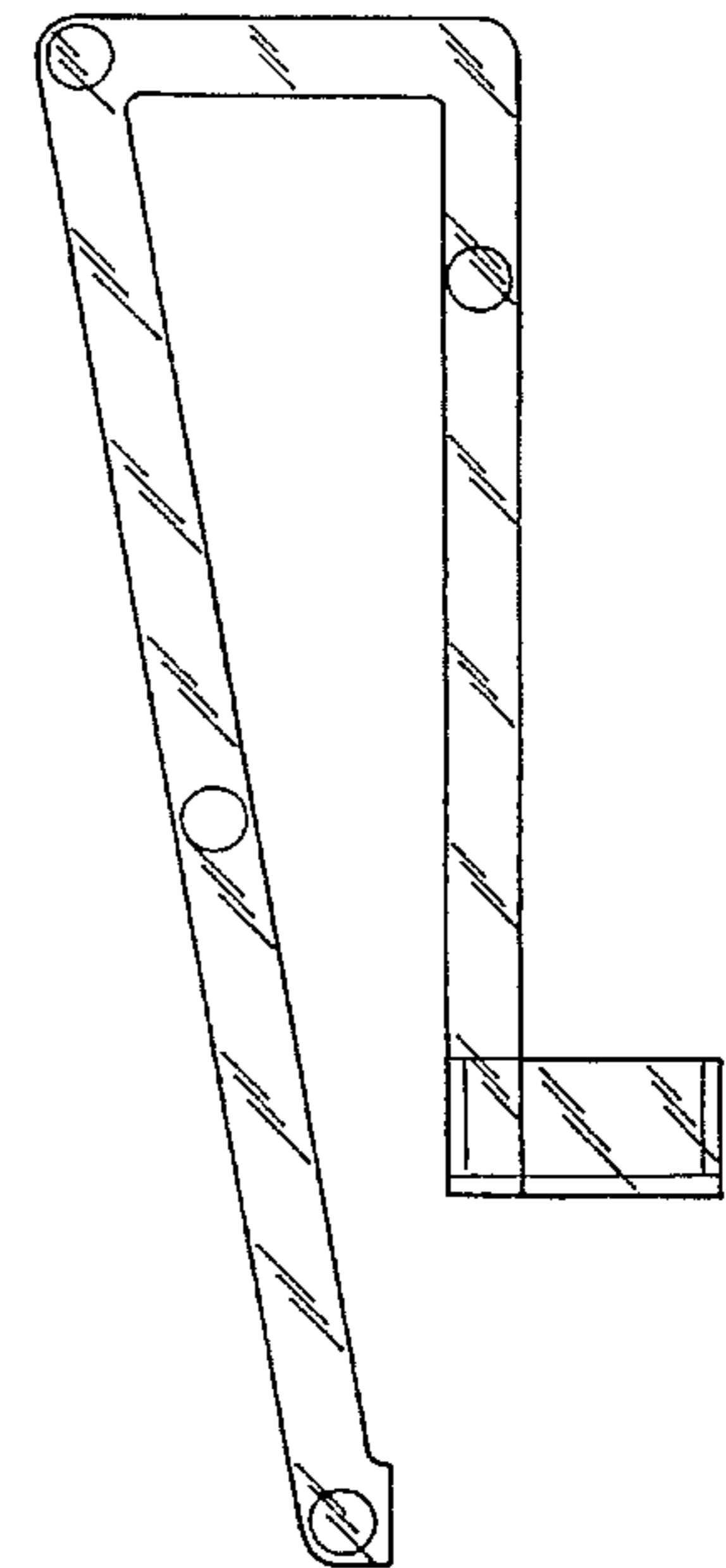
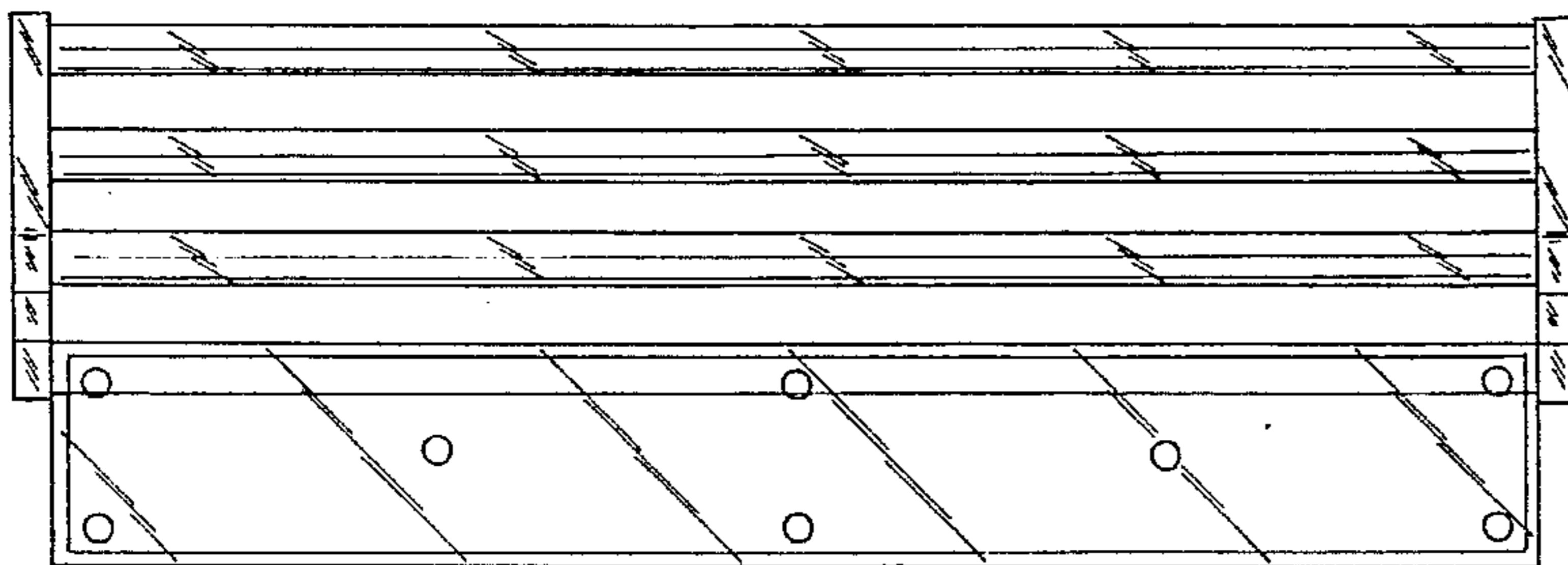
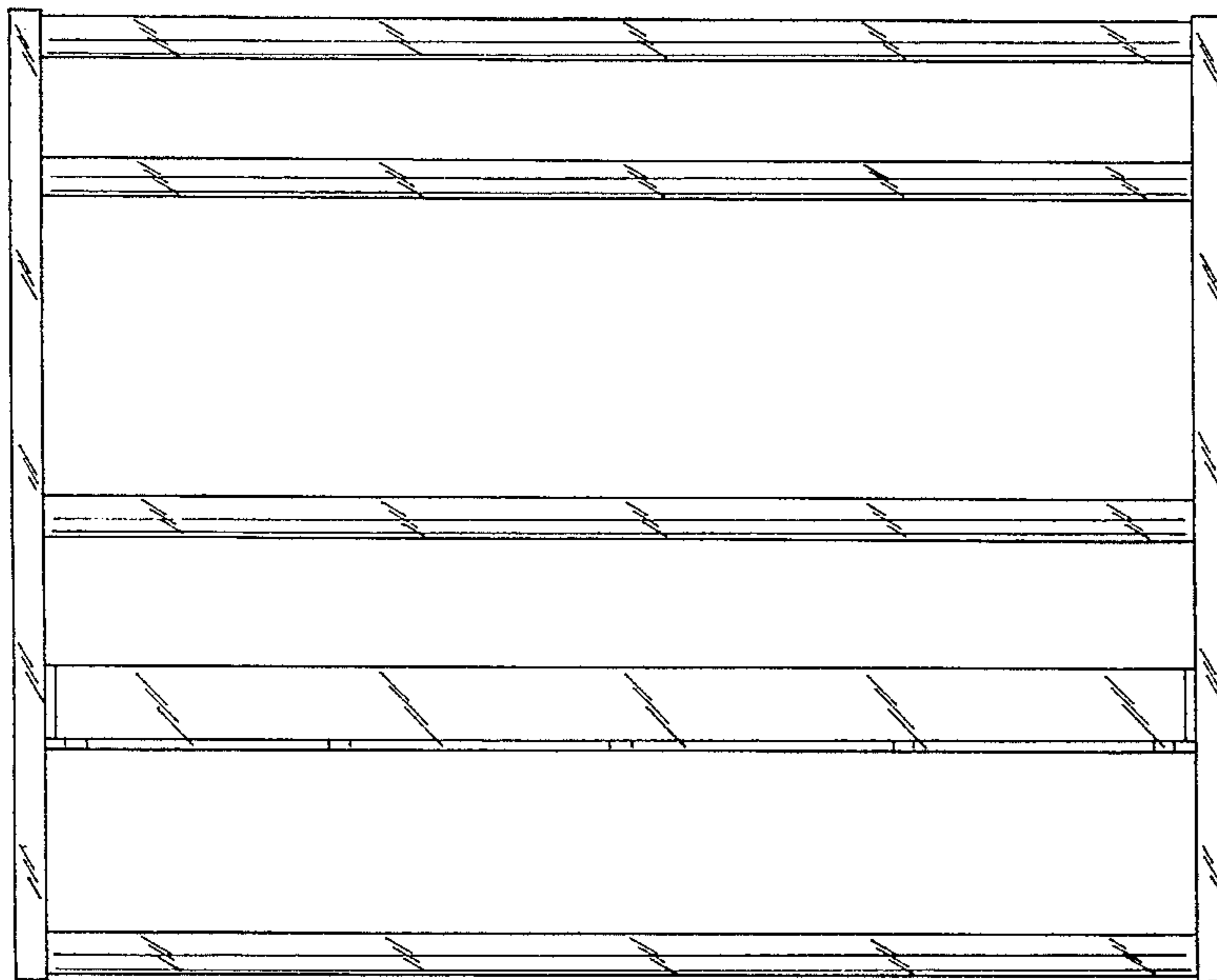
FIG. 1 is a frontal view of a new design for a bath towel rack and bathing accessory holder;  
FIG. 2 is a top view;  
FIG. 3 is a bottom view;  
FIG. 4 is a right side view, the left side view being a mirror image thereof; and,  
FIG. 5 is a rear view.

[56] **References Cited**

**U.S. PATENT DOCUMENTS**

D. 274,486 7/1984 Thompson ..... D6/525

**1 Claim, 2 Drawing Sheets**



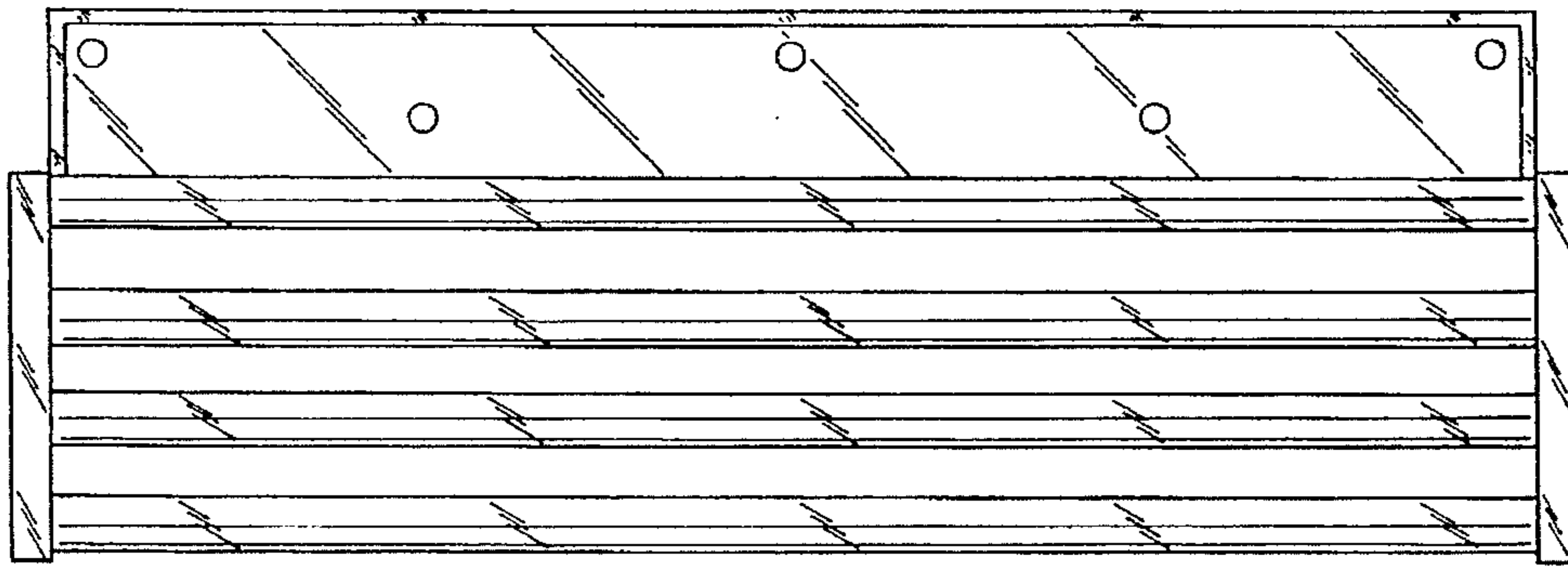


FIG.-2

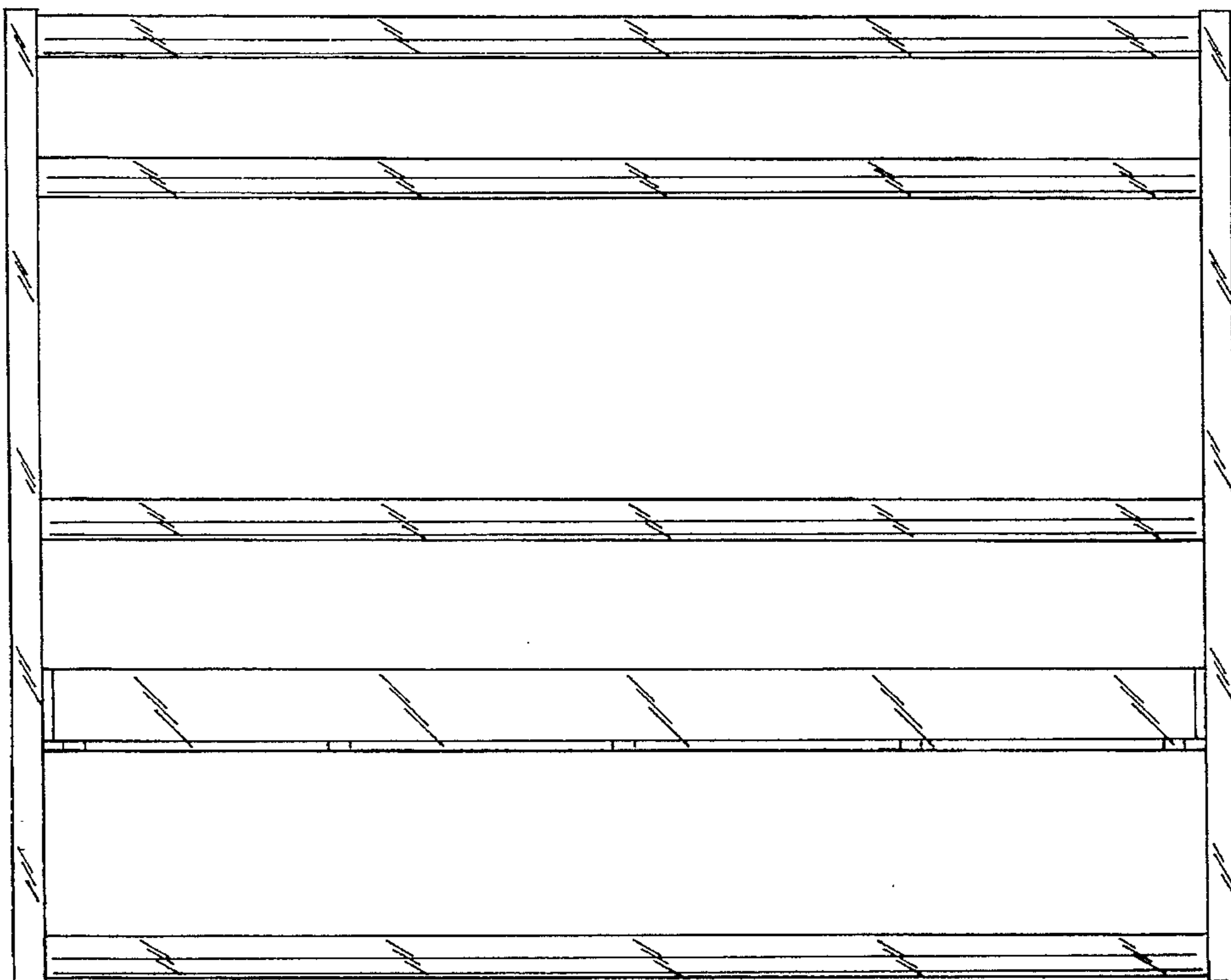


FIG.-1

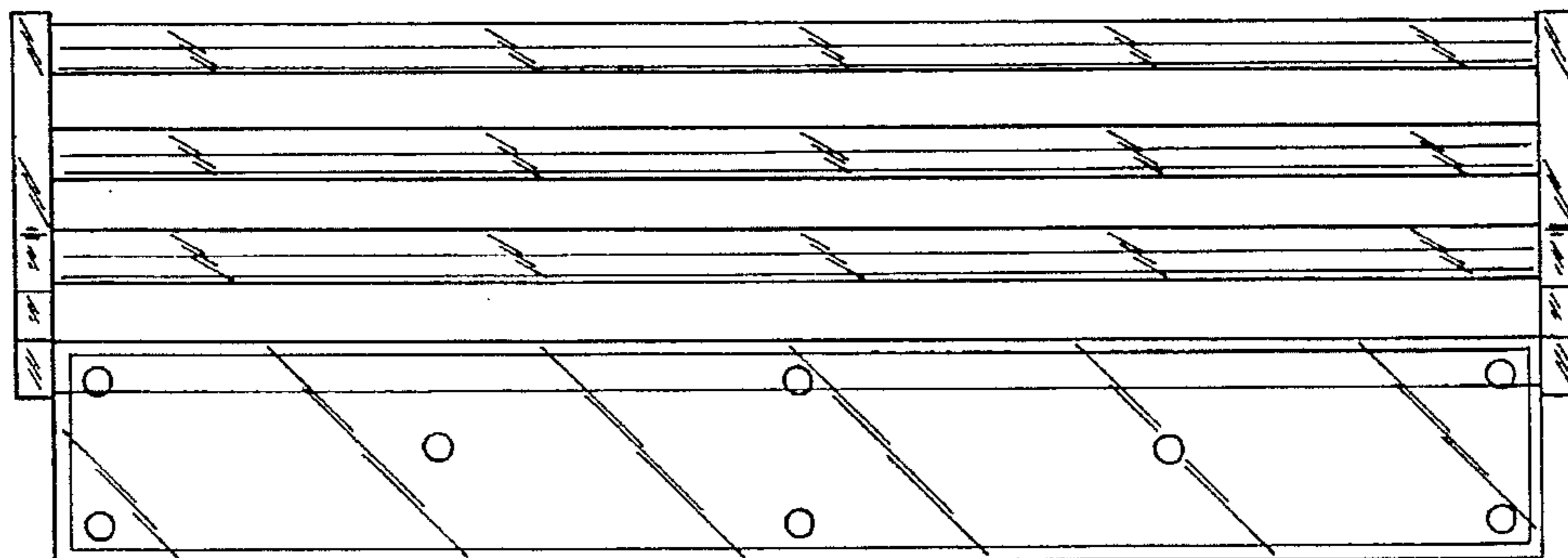


FIG.-3

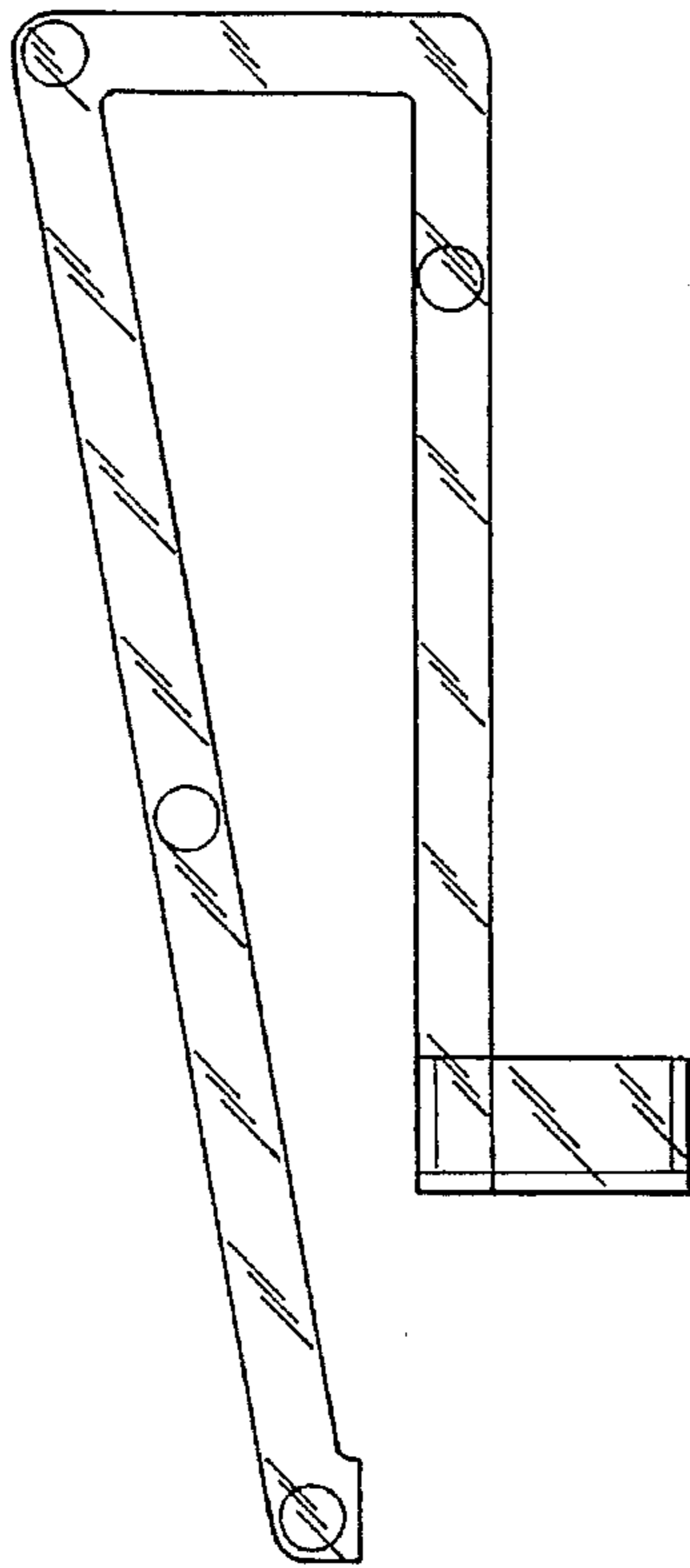


FIG. - 4

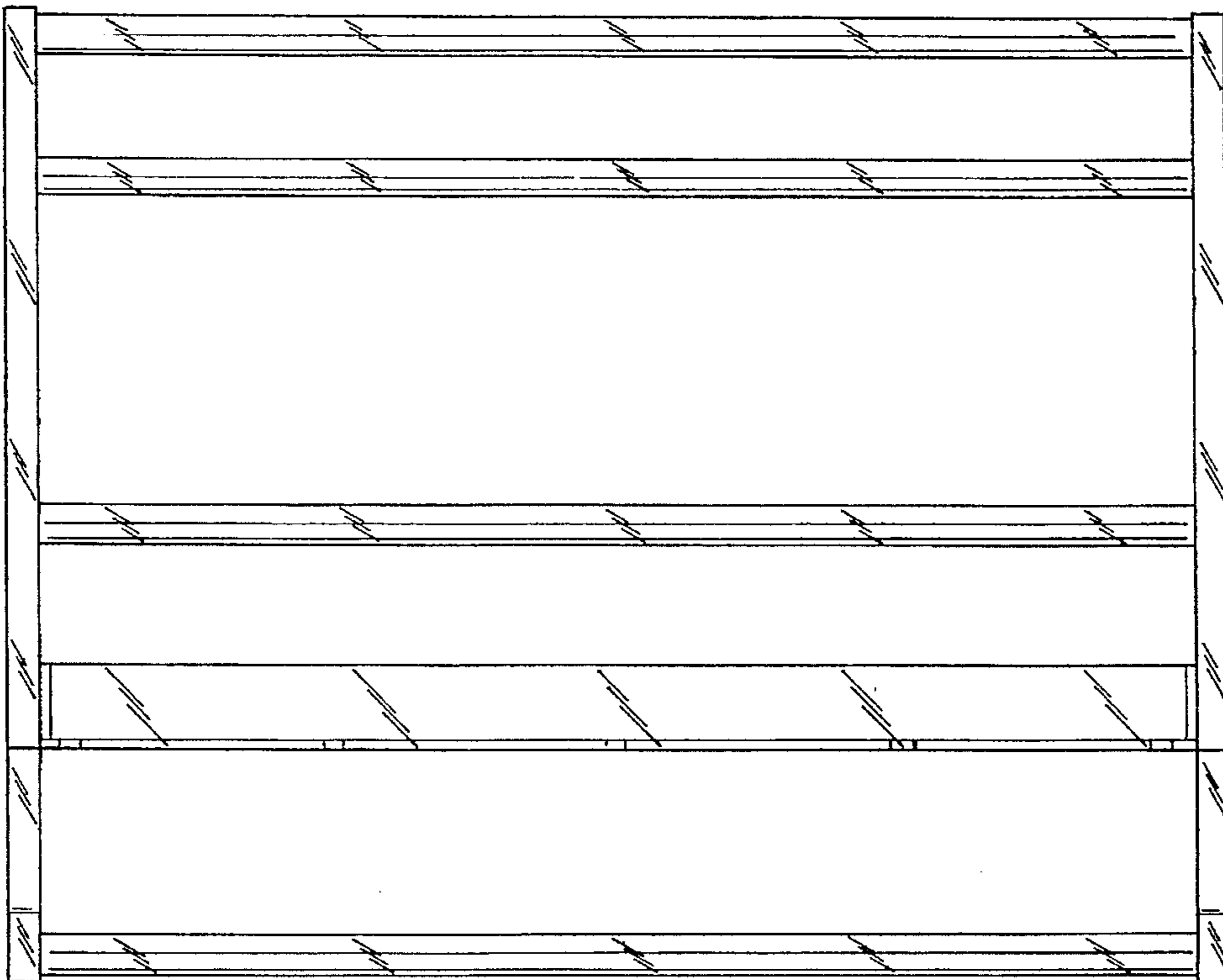


FIG. - 5