



US00D377284S

United States Patent [19]

[11] Patent Number: **Des. 377,284**

Farrow et al.

[45] Date of Patent: ****Jan. 14, 1997**

[54] **COMBINED TOILET PAPER AND MOIST TOWELETTE DISPENSER**

3,095,249	6/1963	Albrecht	312/242
3,982,659	9/1976	Ross	.	
4,004,687	1/1977	Boone	.	
4,106,616	8/1978	Boone	.	
4,106,617	8/1978	Boone	.	
4,235,333	11/1980	Boone	.	
4,978,095	12/1990	Phillips	.	
5,311,986	5/1994	Putz	.	

[76] Inventors: **Kathryn C. Farrow**, 5519 Ventnor La., Springfield, Va. 22151; **Grace C. Cleary**, 317 Lyndale Dr., Hartsville, S.C. 29550; **Sarah C. Stoffer**, 1252 Granite La., Loganville, Ga. 30249

[**] Term: **14 Years**

Primary Examiner—Brian N. Vinson
Attorney, Agent, or Firm—Dennis H. Lambert

[21] Appl. No.: **38,312**

[57] **CLAIM**

[22] Filed: **May 3, 1995**

The ornamental design for a combined toilet paper and moist towelette dispenser, as shown and described.

[52] U.S. Cl. **D6/519**

[58] Field of Search D6/518-523; 312/34.1, 312/34.4, 34.8, 34.24, 242; 206/389, 391; 211/86-88, 90

DESCRIPTION

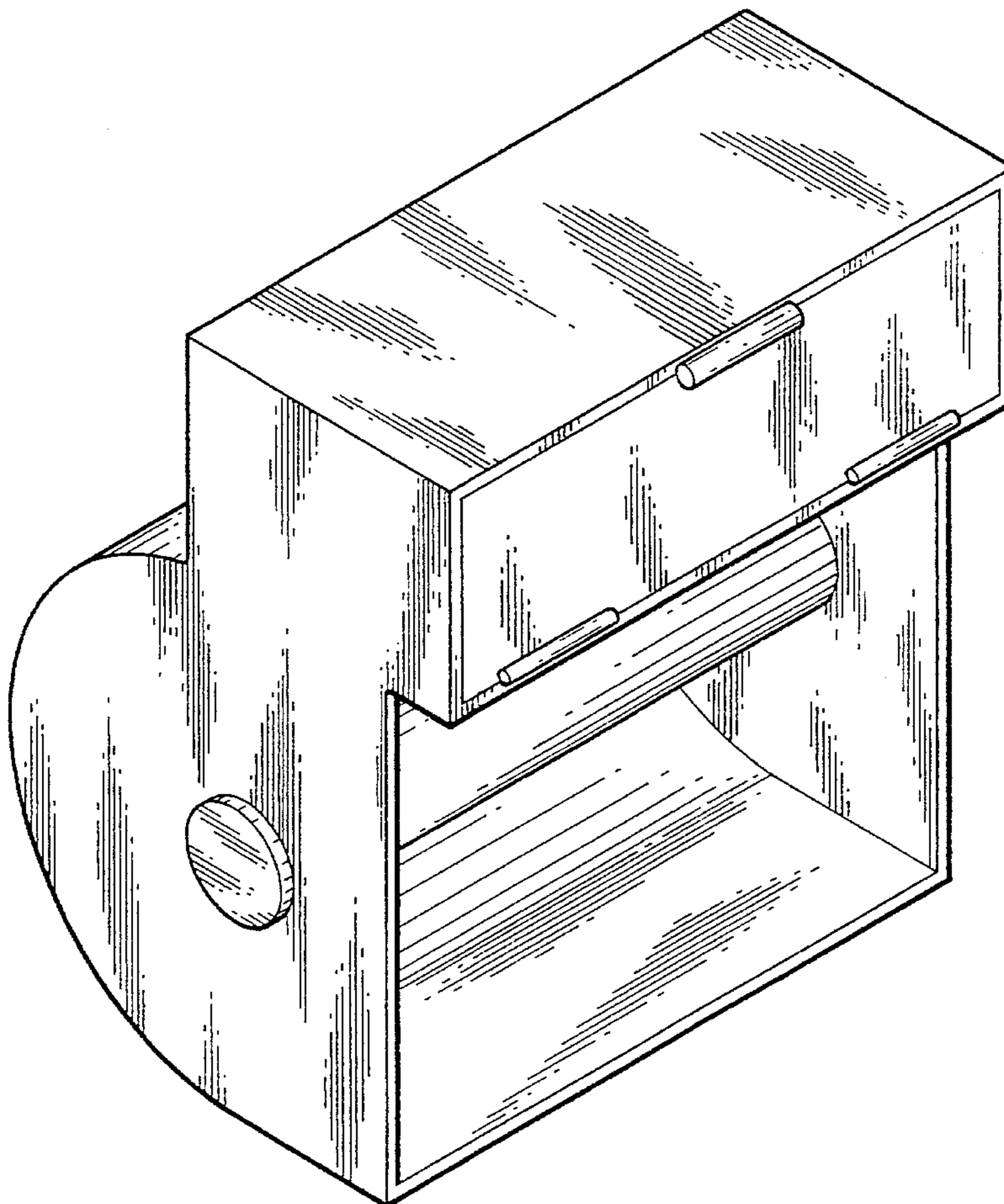
[56] **References Cited**

U.S. PATENT DOCUMENTS

D. 217,982	7/1970	Stewart	.	
D. 248,001	5/1978	Santaella	d6/520
D. 319,160	8/1991	Huddleston	D6/520 X
D. 342,635	12/1993	Carter et al.	.	
D. 342,852	1/1994	Welch	D6/520
D. 344,830	3/1994	Carter et al.	.	
D. 358,052	5/1995	Carpenter	D6/519

FIG. 1 is a front, top and side perspective view of the combined toilet paper and moist towelette dispenser showing my new design;
FIG. 2 is a front elevational view thereof;
FIG. 3 is a side elevational view thereof, the side opposite being a mirror image of the side shown in FIG. 3;
FIG. 4 is a top plan view thereof;
FIG. 5 is a bottom plan view thereof; and,
FIG. 6 is a rear elevational view thereof.

1 Claim, 3 Drawing Sheets



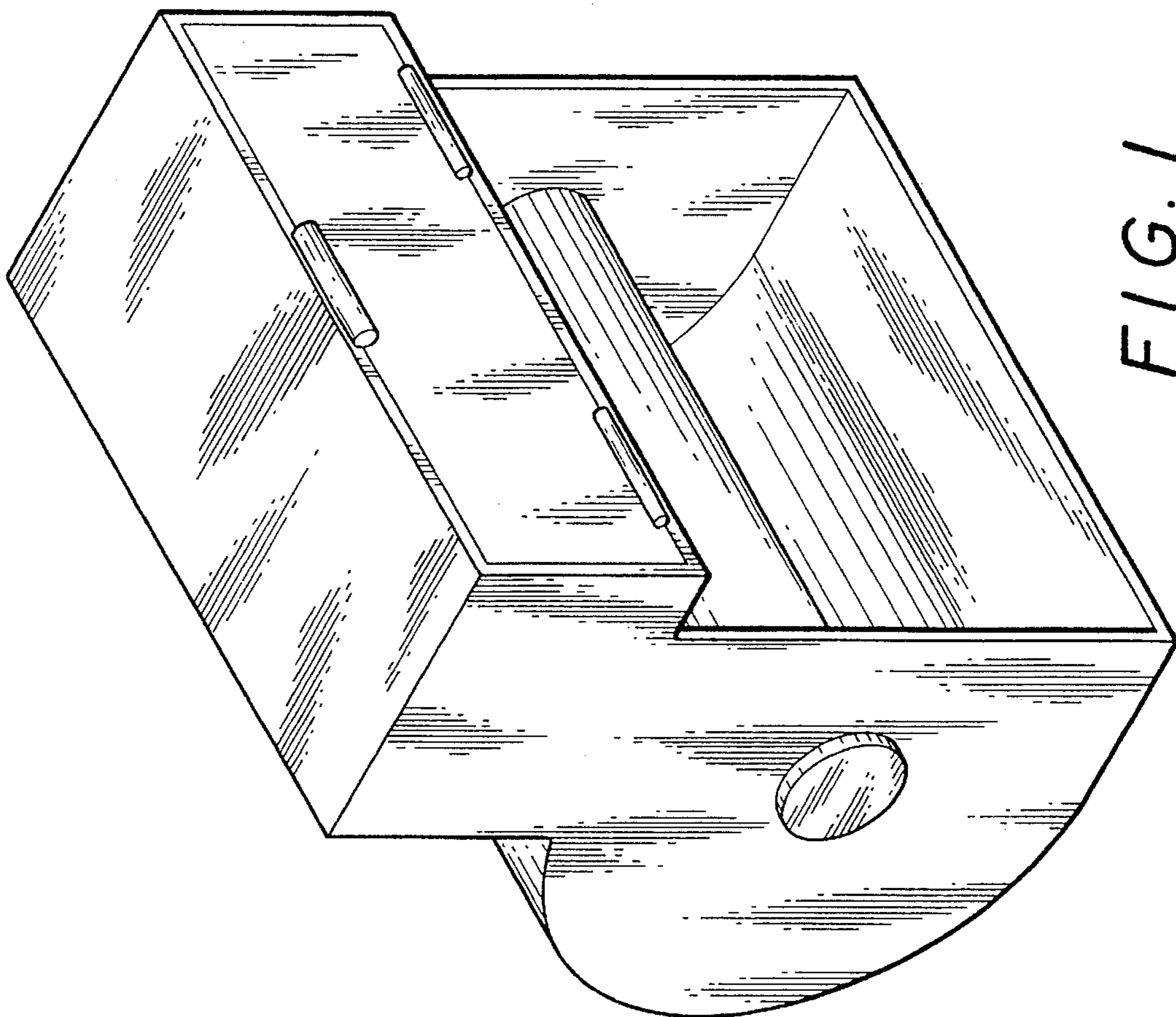


FIG. 1

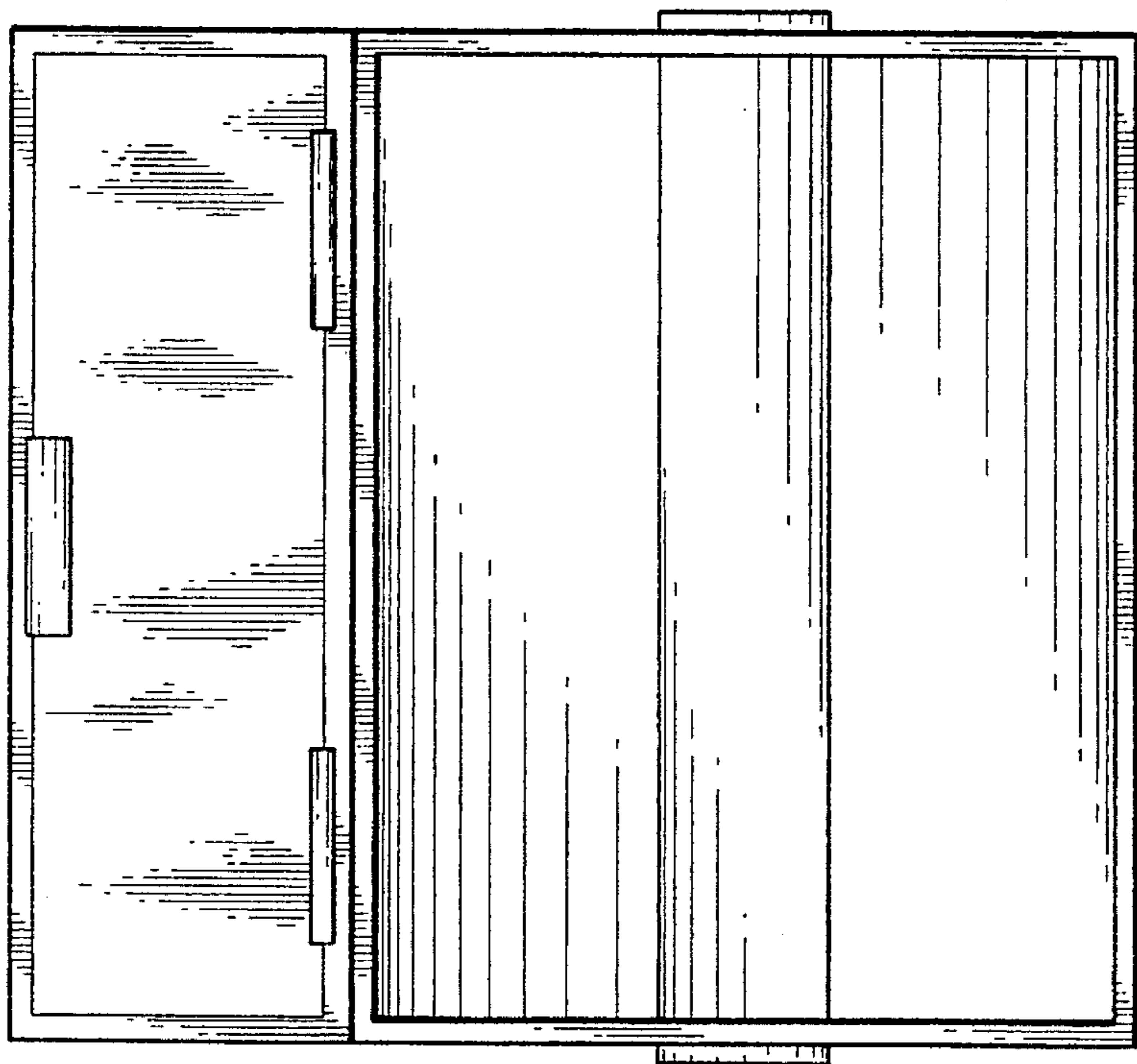


FIG. 2

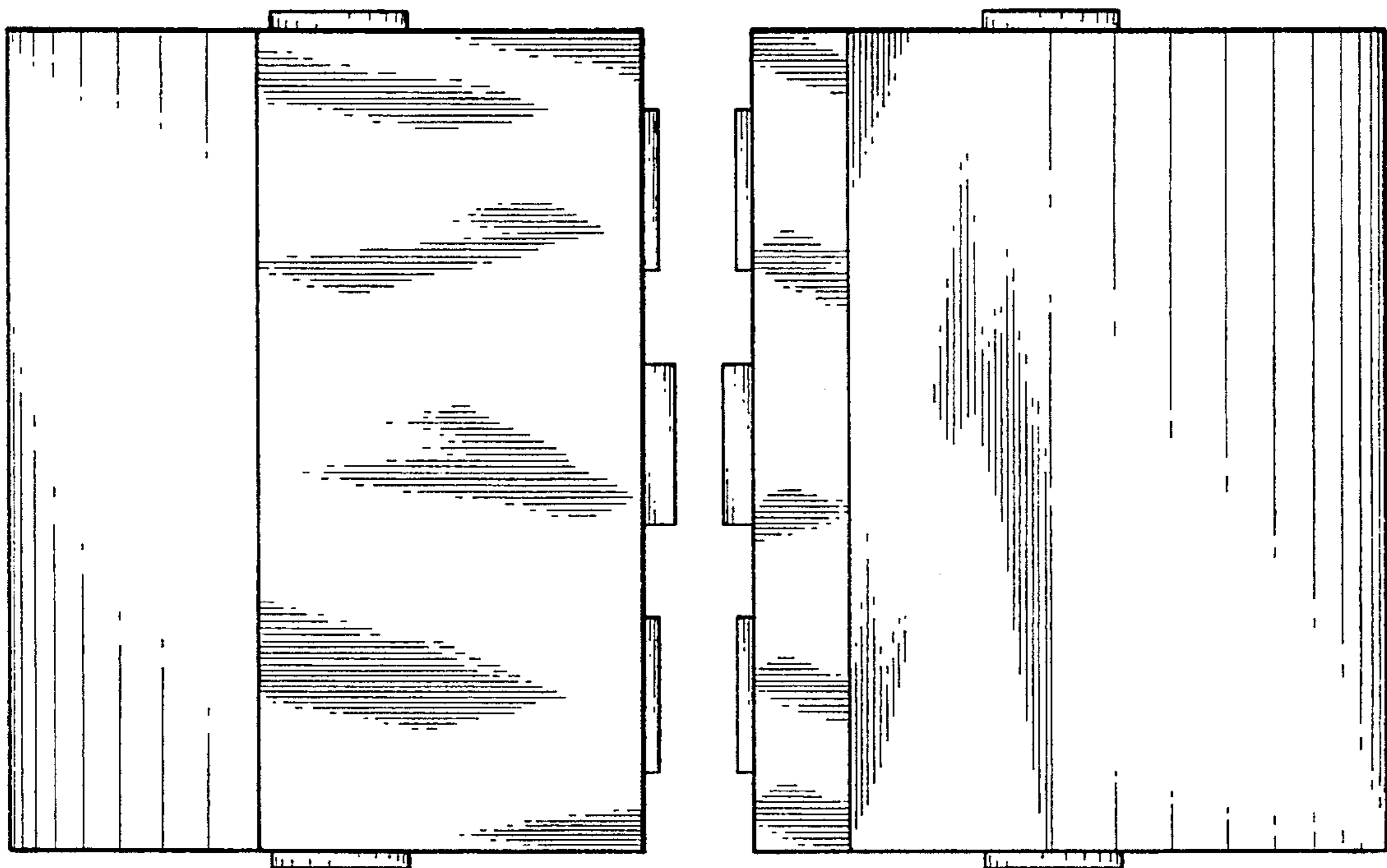


FIG. 4

FIG. 5

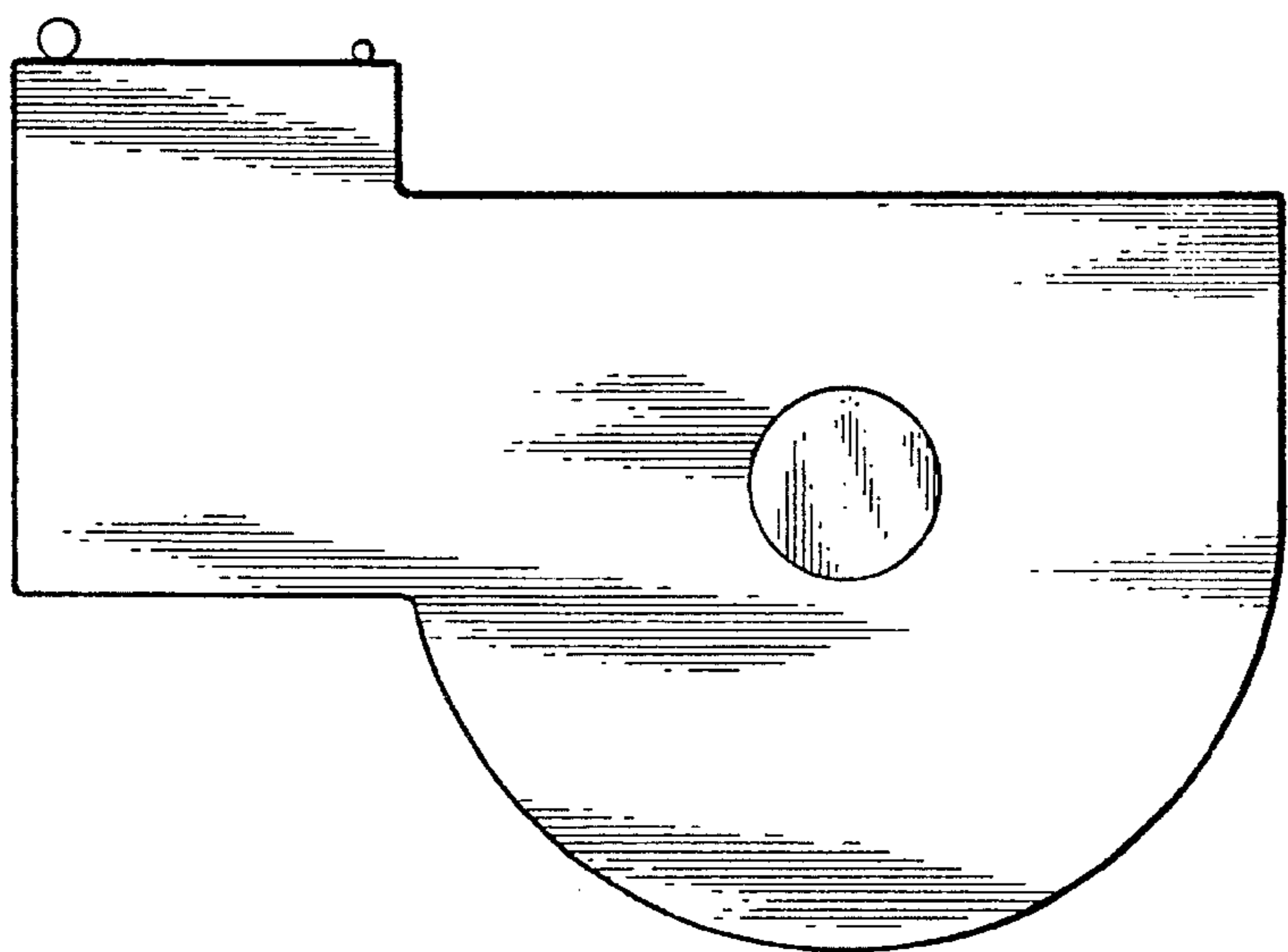


FIG. 3

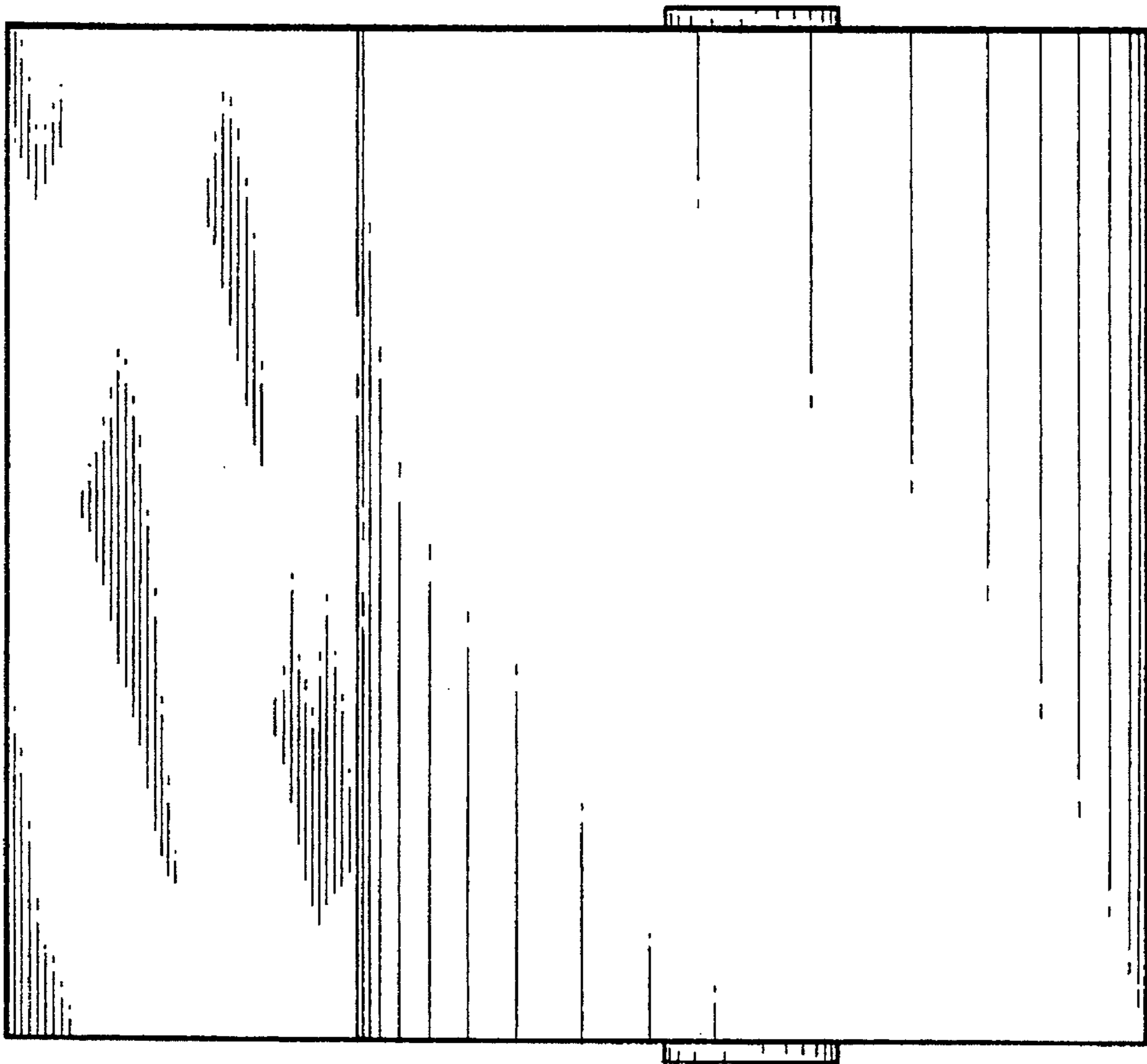


FIG. 6