



US00D377283S

United States Patent [19]

[11] Patent Number: **Des. 377,283**

Su

[45] Date of Patent: ****Jan. 14, 1997**

[54] SEAT SUPPORT OF A CHAIR

4,438,978 3/1984 Arld 297/302.3 X

[75] Inventor: **Tung-Hua Su**, Tainan, Taiwan

Primary Examiner—Gary D. Watson

[73] Assignee: **Jorng Well Industrial Co., Ltd.**,
Tainan, Taiwan

Attorney, Agent, or Firm—Morton J. Rosenberg; David I. Klein

[**] Term: **14 Years**

[57] **CLAIM**

[21] Appl. No.: **46,537**

The ornamental design for a seat support of a chair, as shown and described.

[22] Filed: **Nov. 17, 1995**

DESCRIPTION

[52] U.S. Cl. **D6/500**

FIG. 1 is a perspective view of a seat support of a chair showing my new design;

[58] Field of Search D6/366, 500, 501,
D6/502; 297/302.3, 302.4, 303.4, 303.5

FIG. 2 is a front elevational view thereof;

FIG. 3 is a rear elevational view thereof;

FIG. 4 is a left side elevational view thereof;

FIG. 5 is a right side elevational view thereof;

FIG. 6 is a top plan view thereof; and,

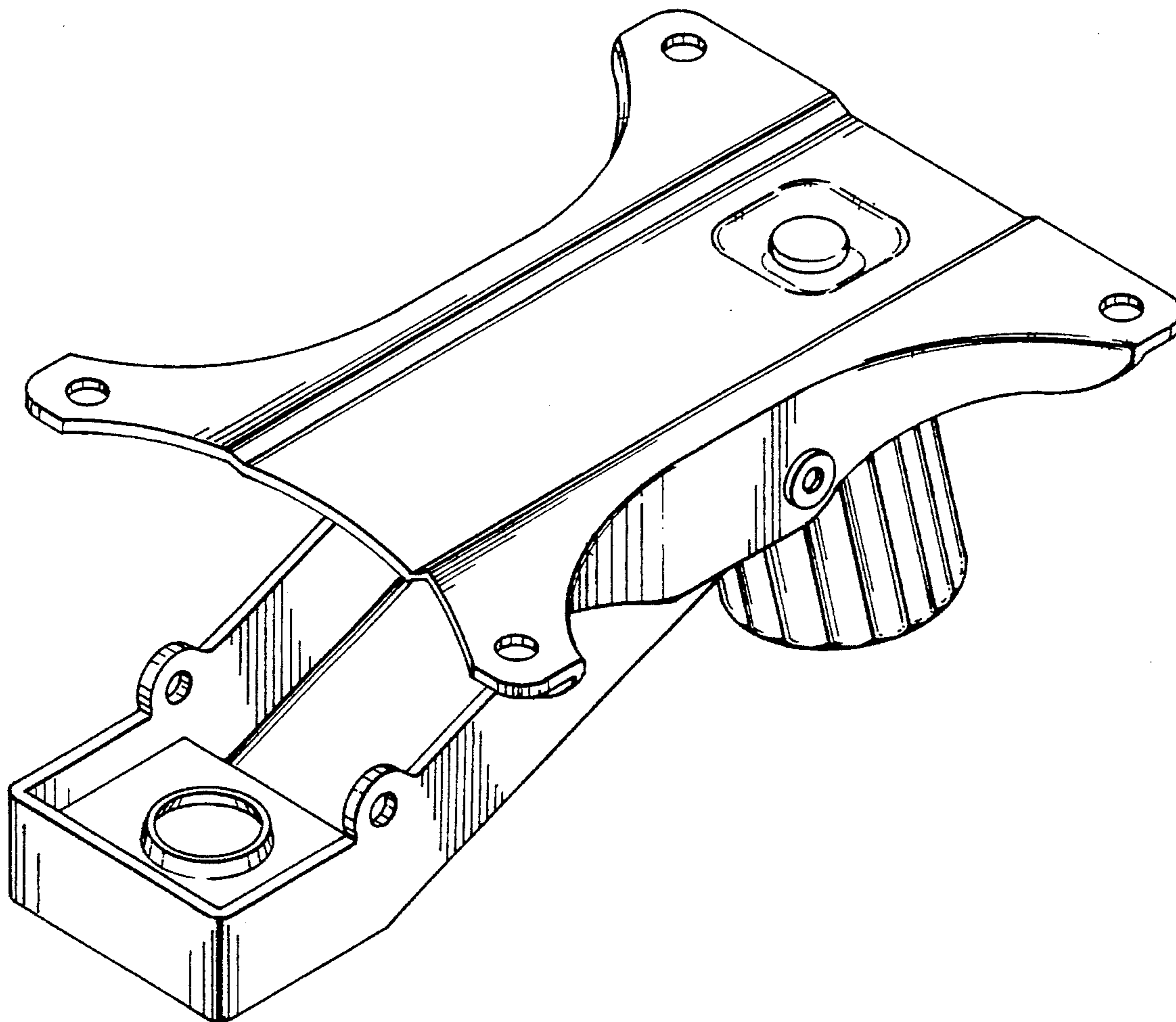
FIG. 7 is a bottom plan view thereof.

[56] **References Cited**

U.S. PATENT DOCUMENTS

D. 242,514	11/1976	Doerner	D6/500
D. 246,217	11/1977	Doerner	D6/500
D. 252,661	8/1979	Bowman	D6/500
D. 278,961	5/1985	Doerner	D6/500

1 Claim, 6 Drawing Sheets



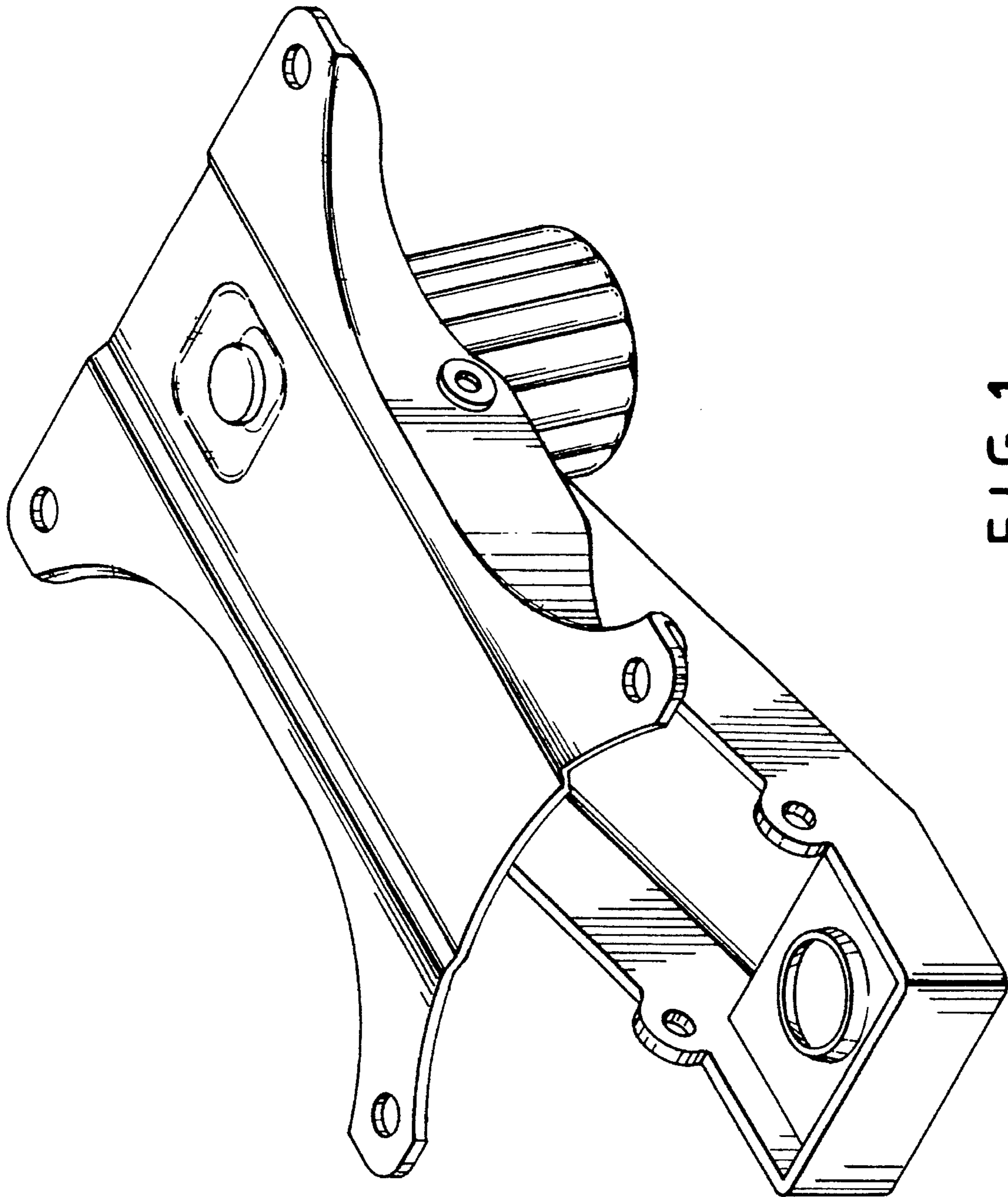


FIG. 1

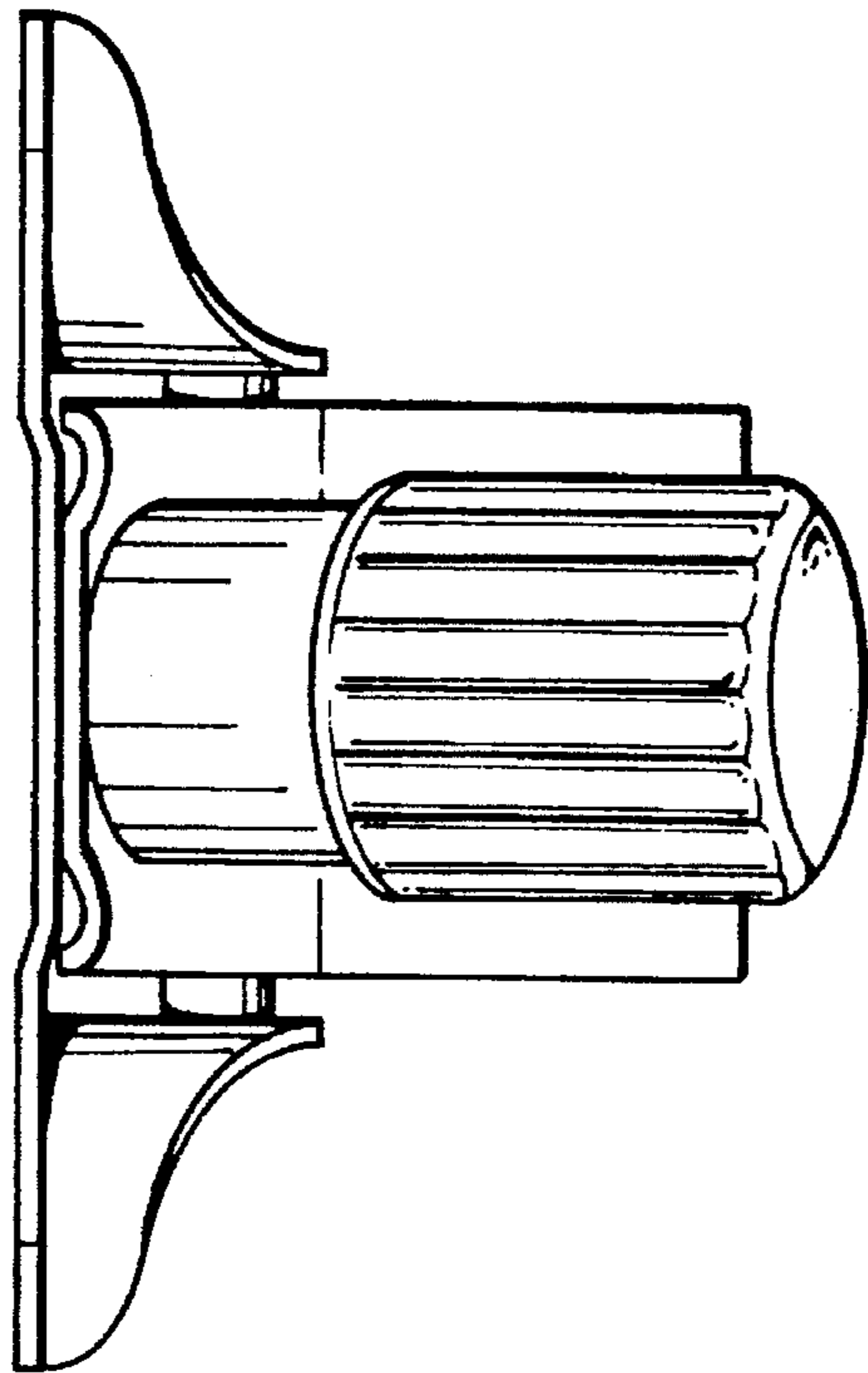


FIG. 3

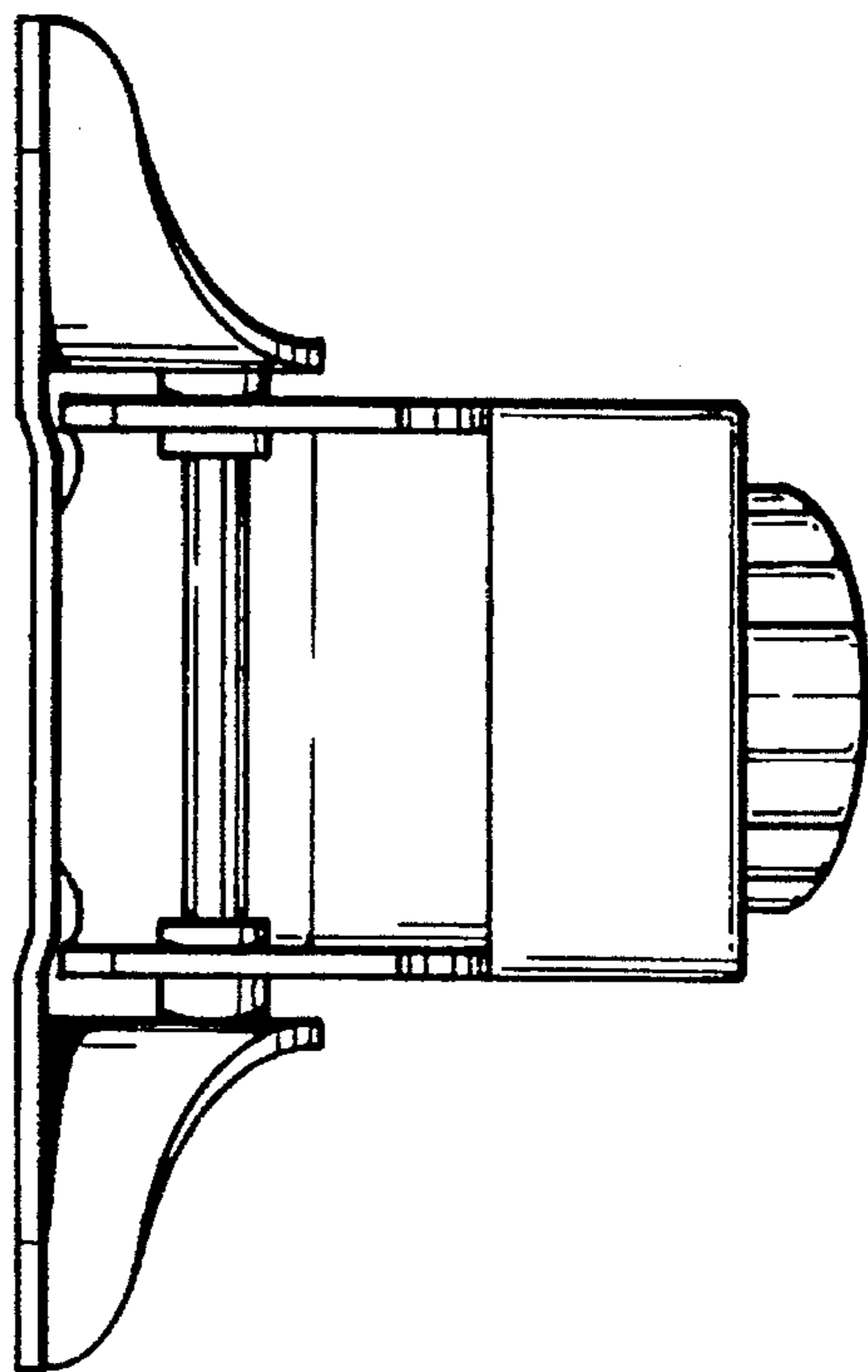


FIG. 2

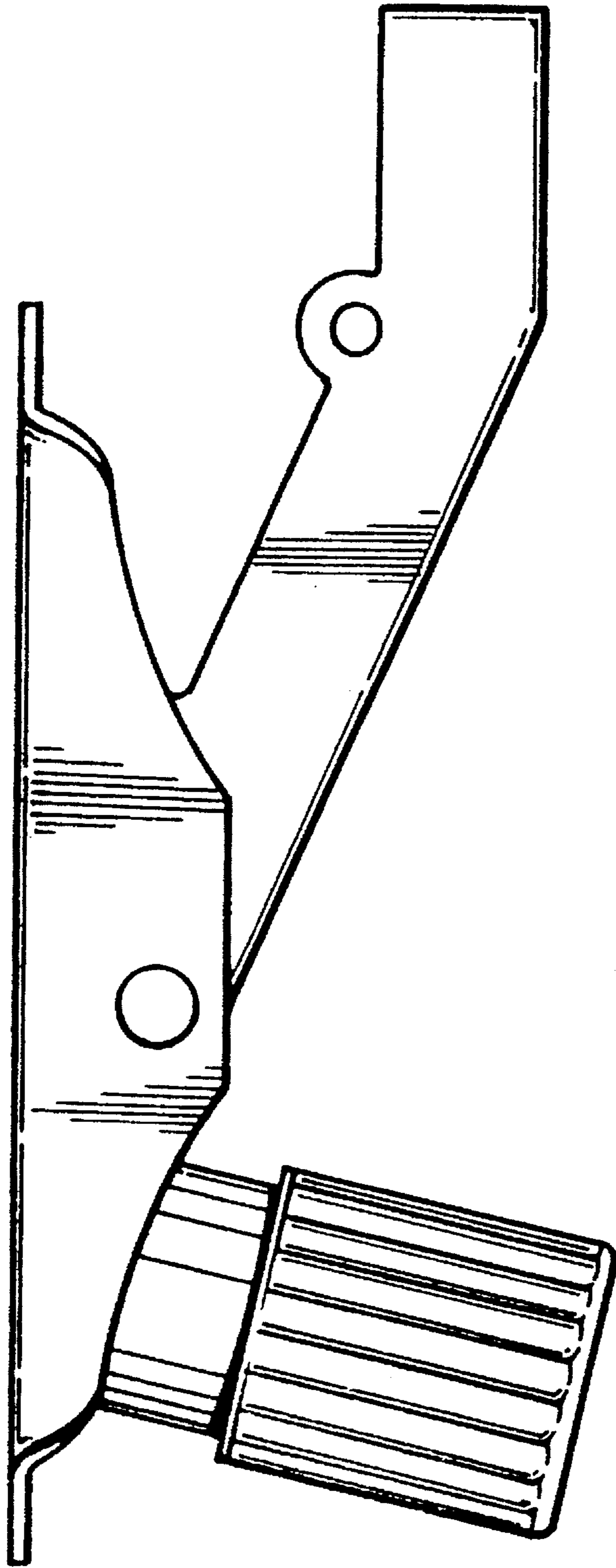


FIG. 4

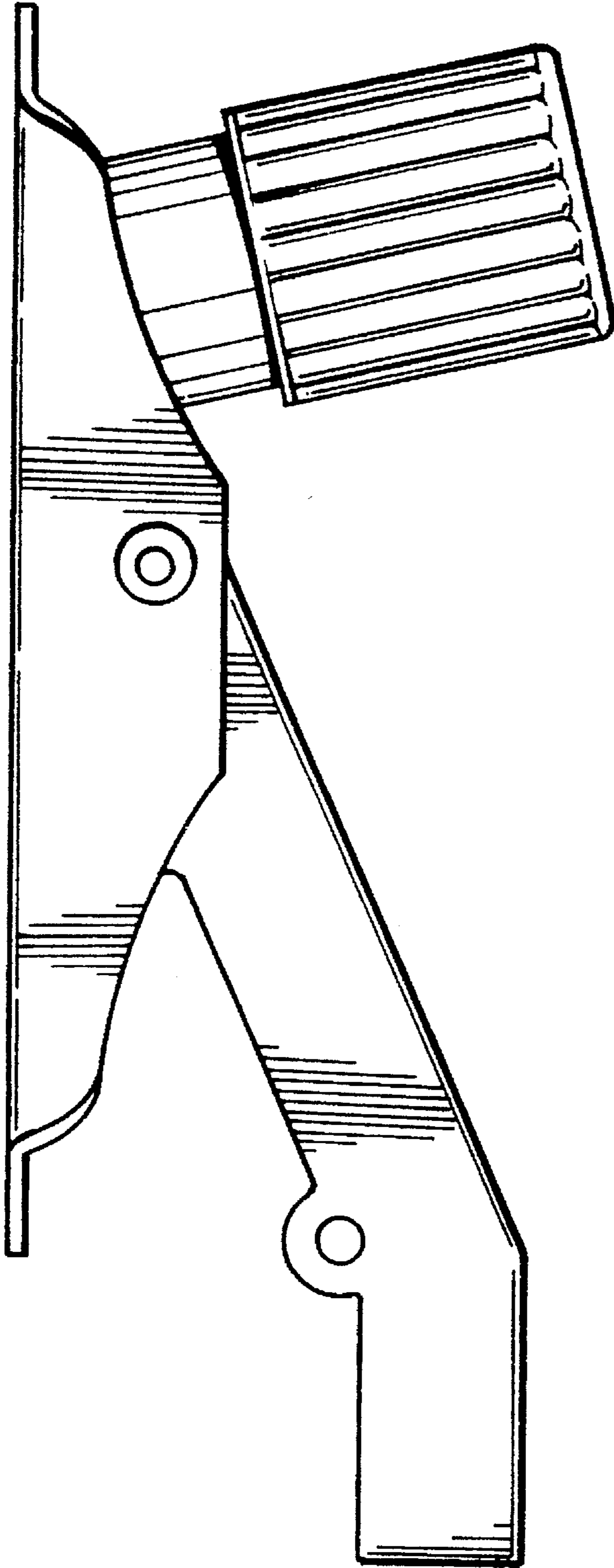


FIG. 5

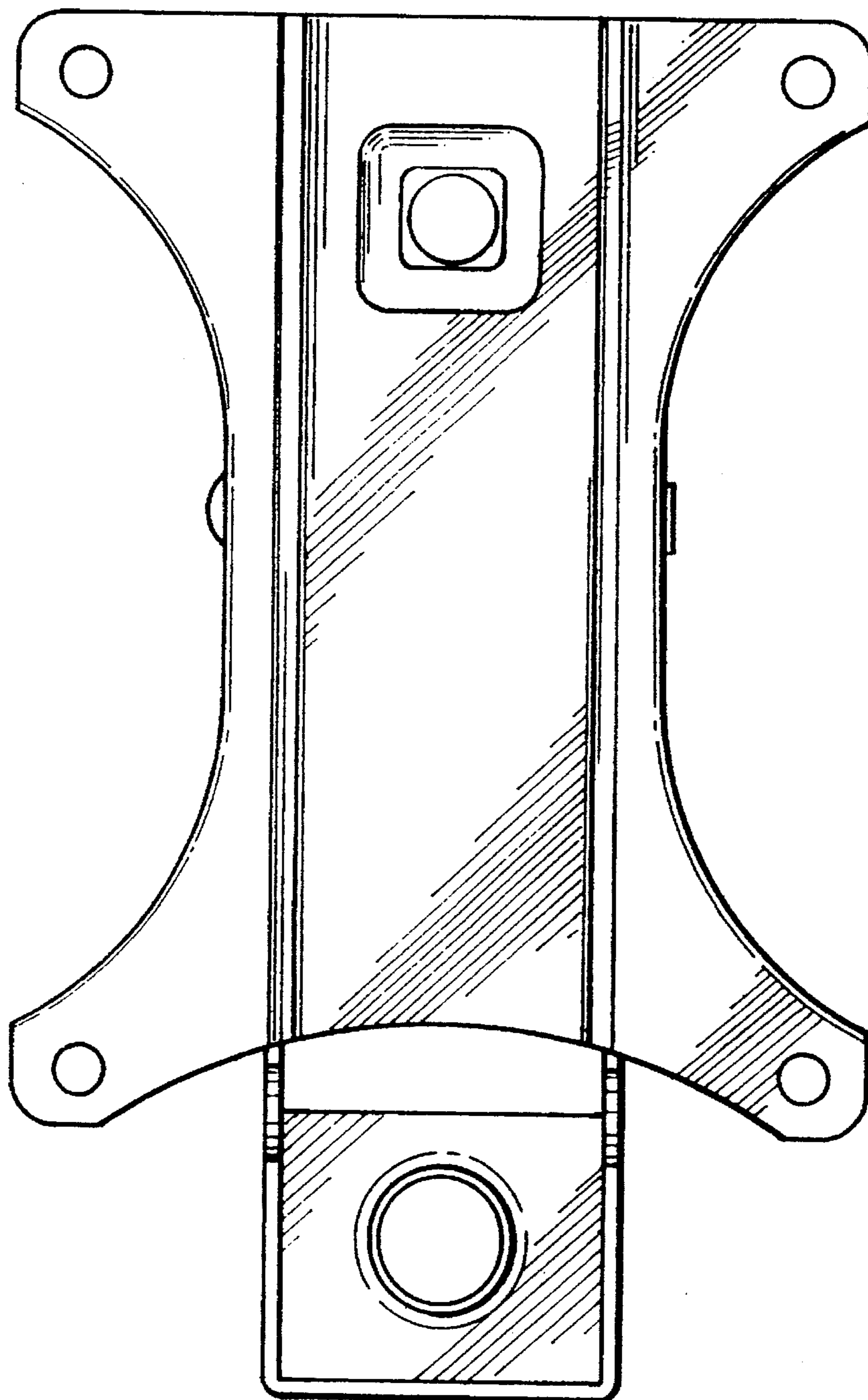


FIG. 6

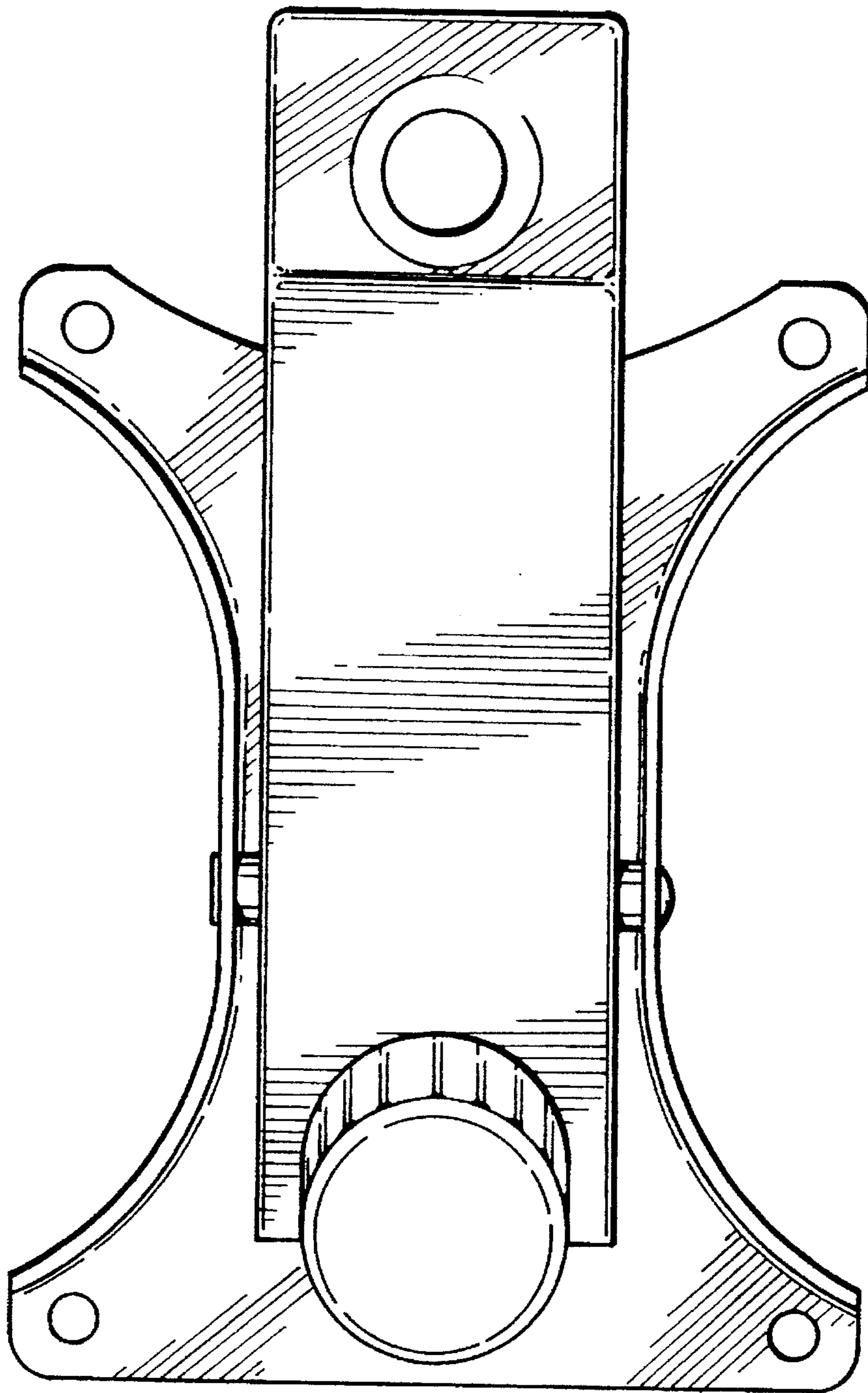


FIG. 7