



US00D377279S

United States Patent [19]

Lenger

[11] Patent Number: **Des. 377,279**

[45] Date of Patent: ****Jan. 14, 1997**

[54] COUNTRY STORAGE TABLE

[75] Inventor: **Sidney A. Lenger**, Kernsville, N.C.

[73] Assignee: **Schottenstein Stores Corporation**, Columbus, Ohio

[**] Term: **14 Years**

[21] Appl. No.: **46,705**

[22] Filed: **Oct. 26, 1995**

[52] U.S. Cl. **D6/436; D6/480; D6/488**

[58] Field of Search **D6/432-448, 480, D6/488; 108/153, 156, 157, 161; 312/257**

[56] References Cited

U.S. PATENT DOCUMENTS

D. 145,542	9/1946	Sky	D6/488
D. 258,708	3/1981	Smith, Jr.	D6/446
D. 356,912	4/1995	Tatum et al.	D6/486
D. 367,979	3/1996	Lewis	D6/488

OTHER PUBLICATIONS

Ethan Allen, c1992, #4 table.
Burlington, Lynwood, c1983, table at top.

Primary Examiner—Janice E. Seeger
Attorney, Agent, or Firm—Wood, Herron & Evans

[57] CLAIM

The ornamental design for a country storage table, as shown and described.

DESCRIPTION

FIG. 1 is a perspective view of the front, top, and right side of a country storage table incorporating the design of my invention.

FIG. 2 is a top plan view thereof;

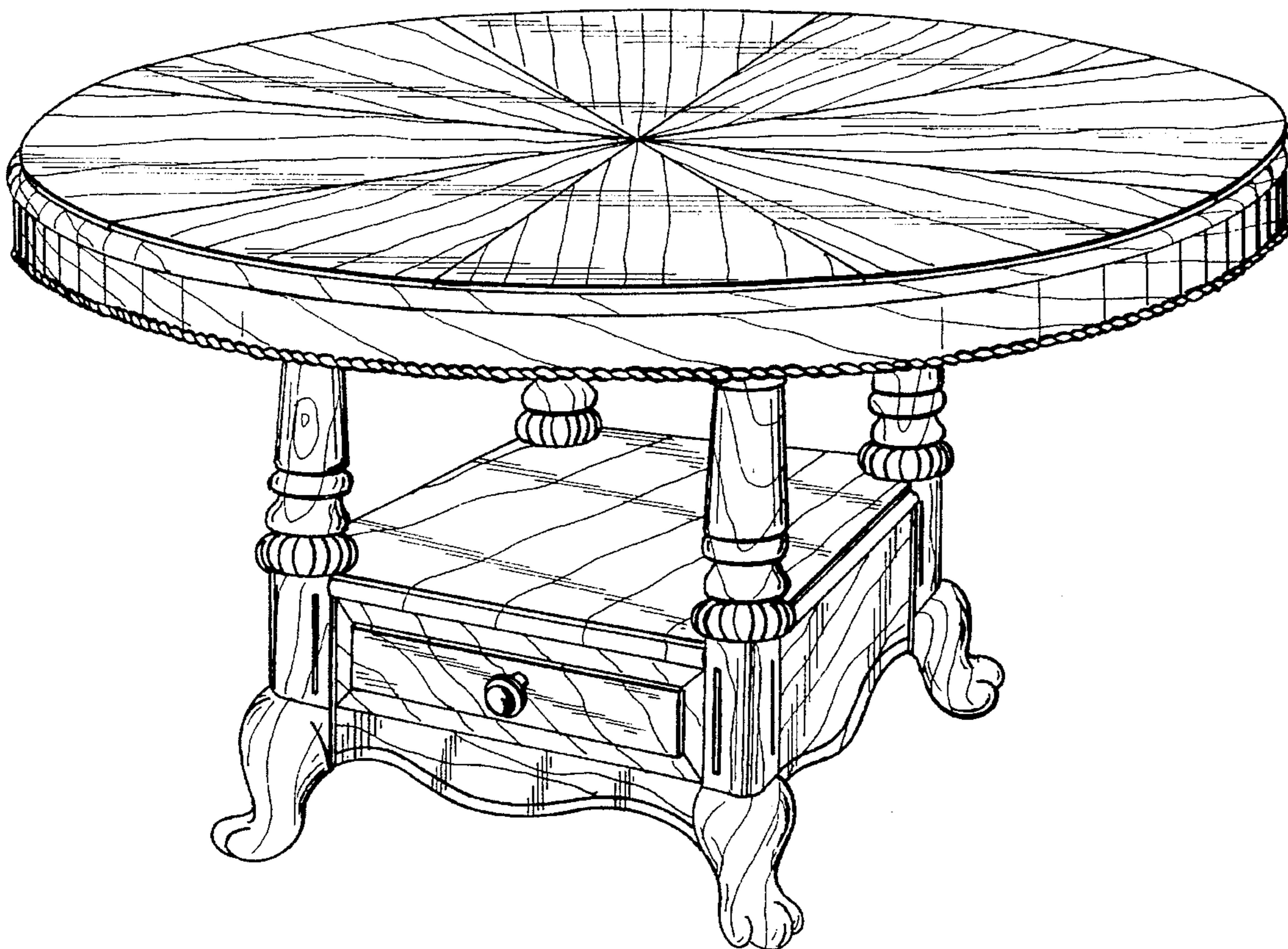
FIG. 3 is a front elevational view thereof;

FIG. 4 is a left side elevational view thereof, with the right side elevational view being a mirror image;

FIG. 5 is a rear elevational view thereof; and,

FIG. 6 is a bottom plan view thereof.

1 Claim, 3 Drawing Sheets



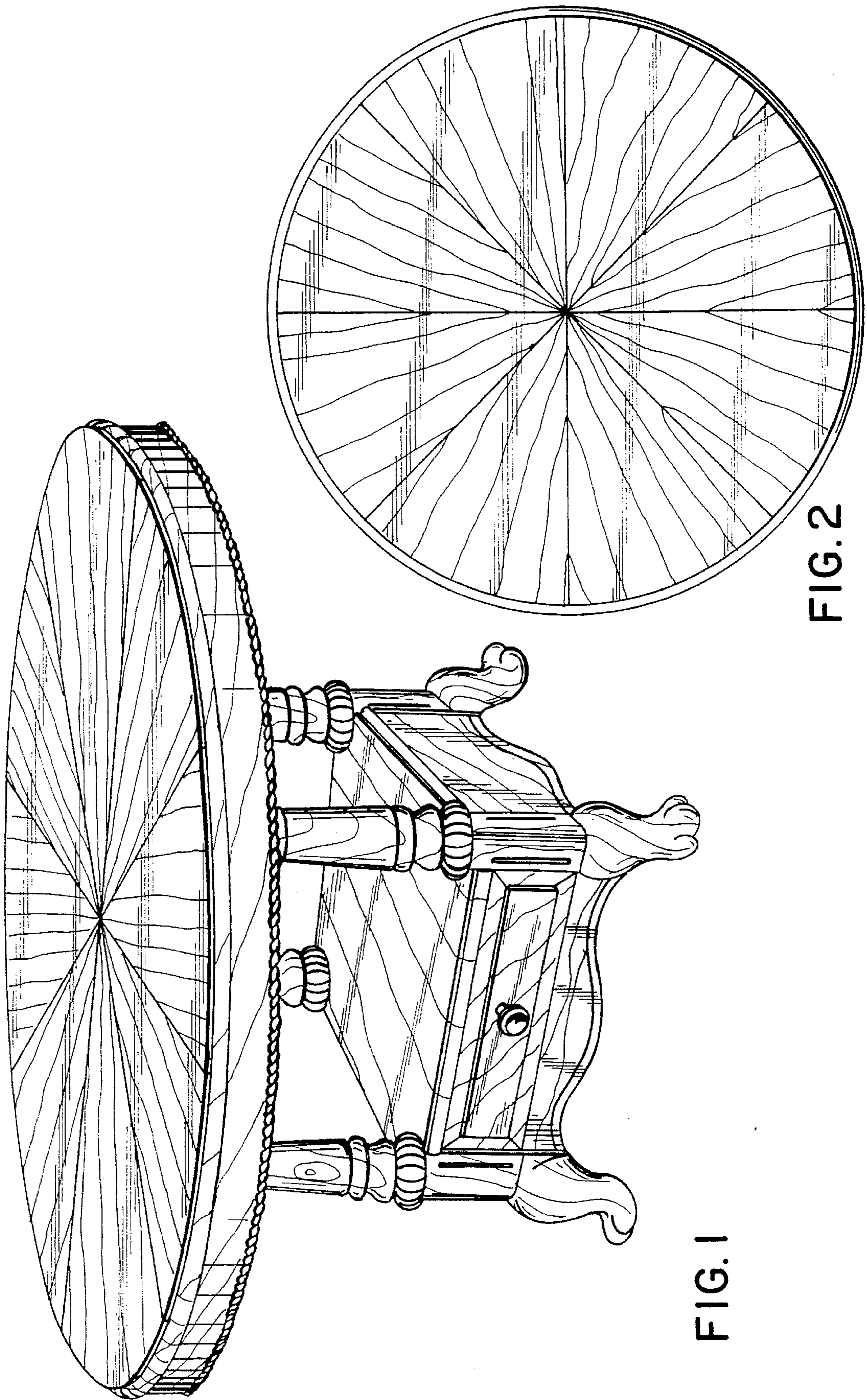


FIG. 1

FIG. 2

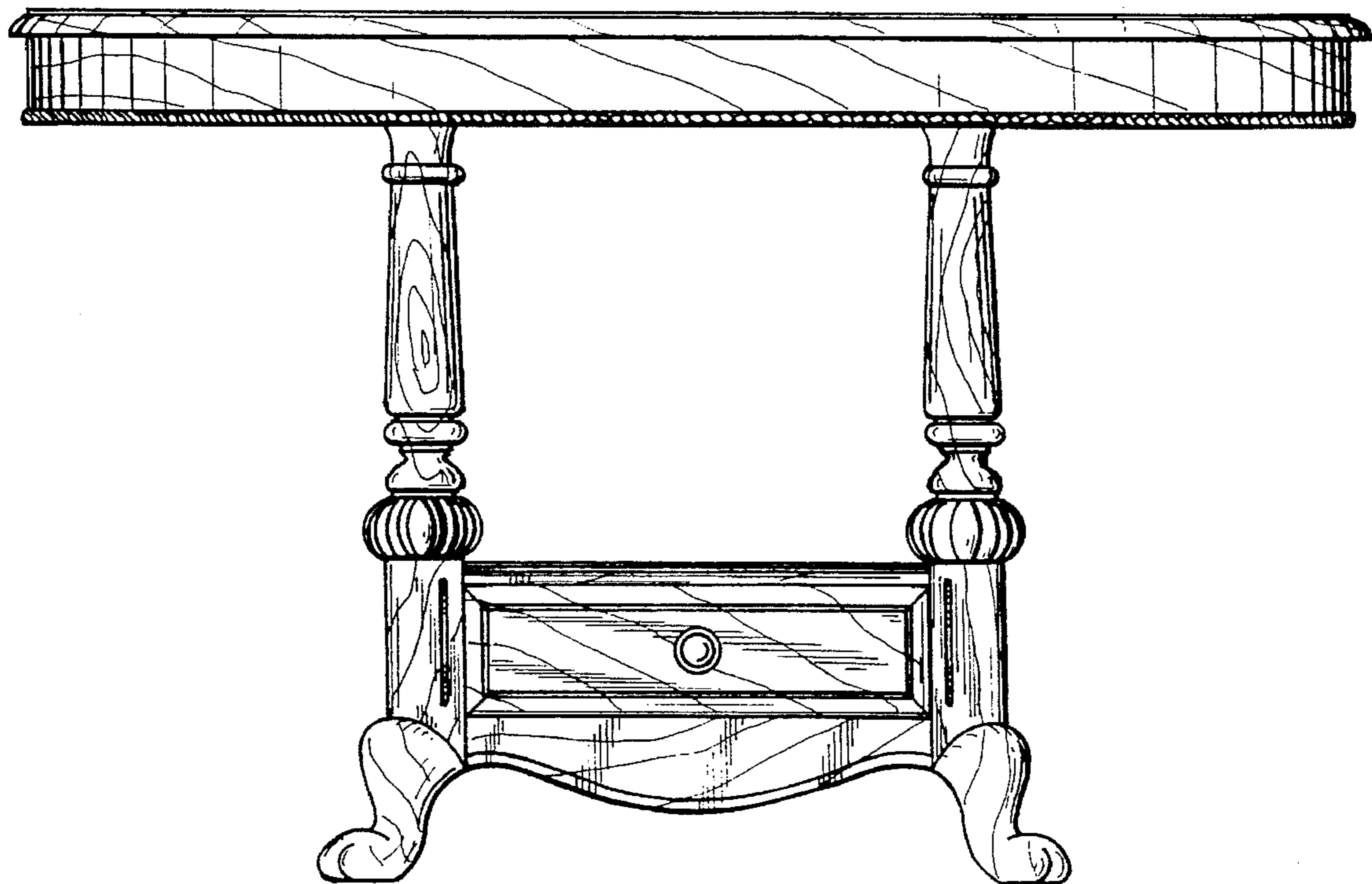


FIG. 3

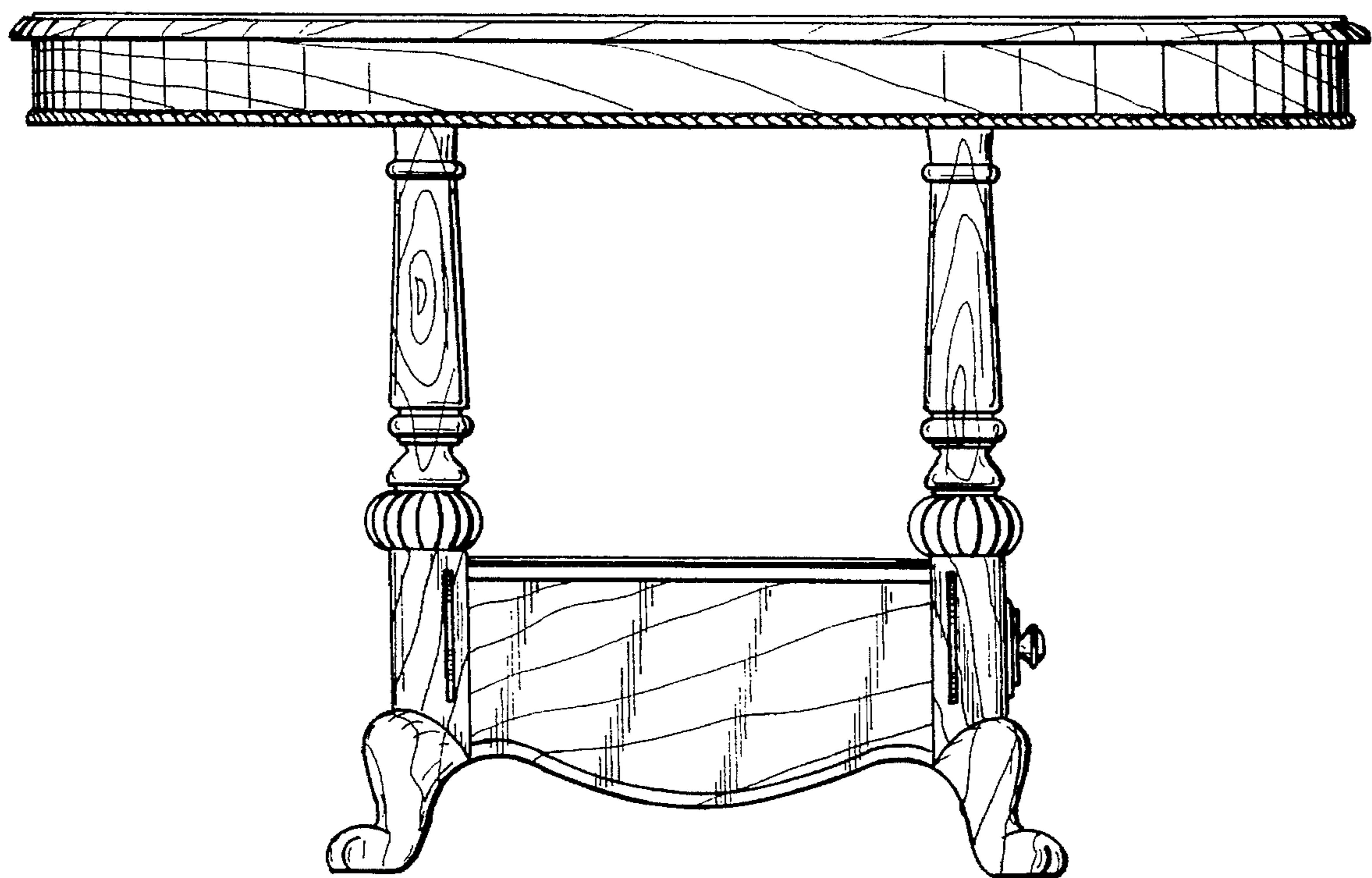


FIG. 4

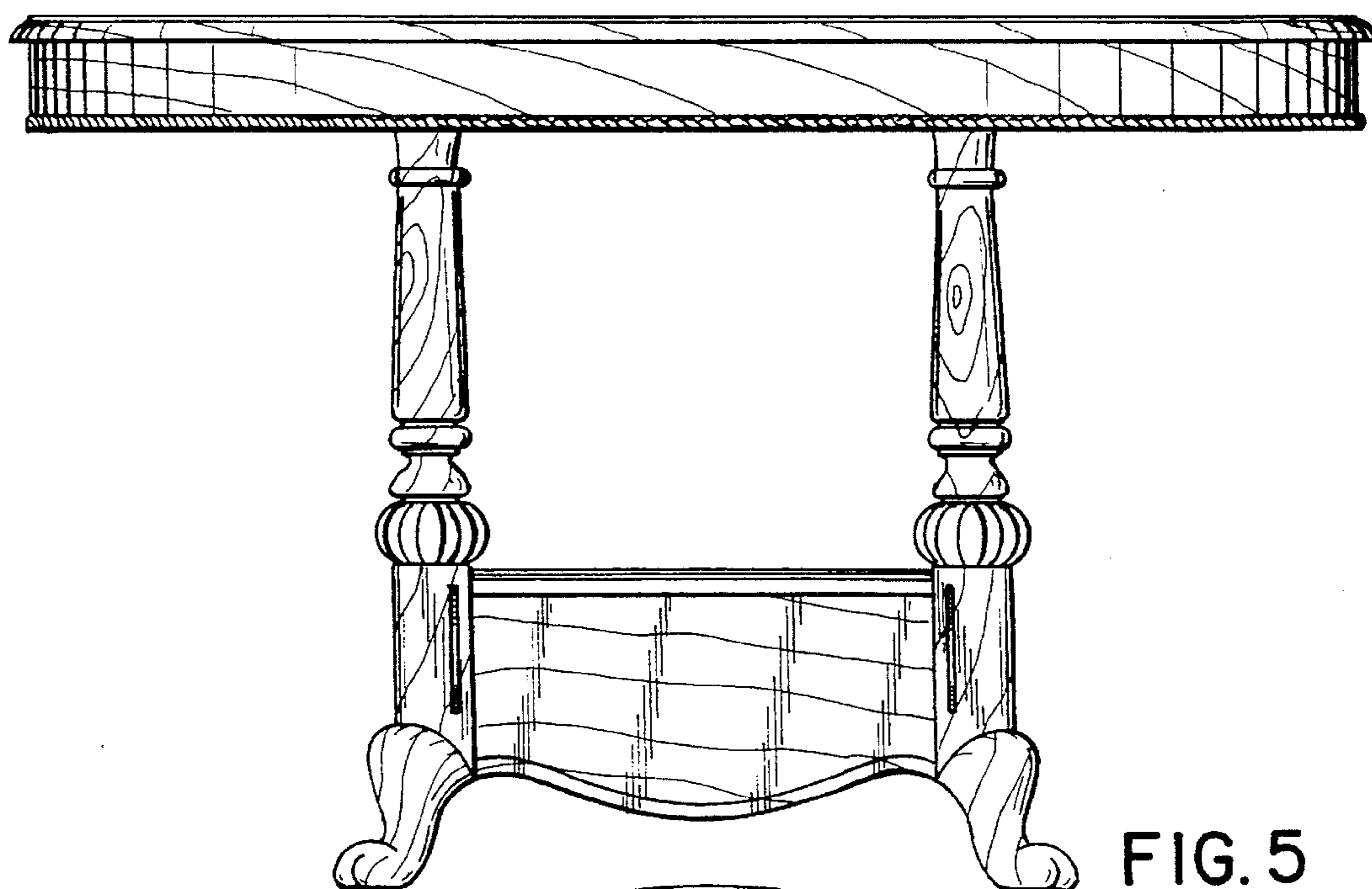


FIG. 5

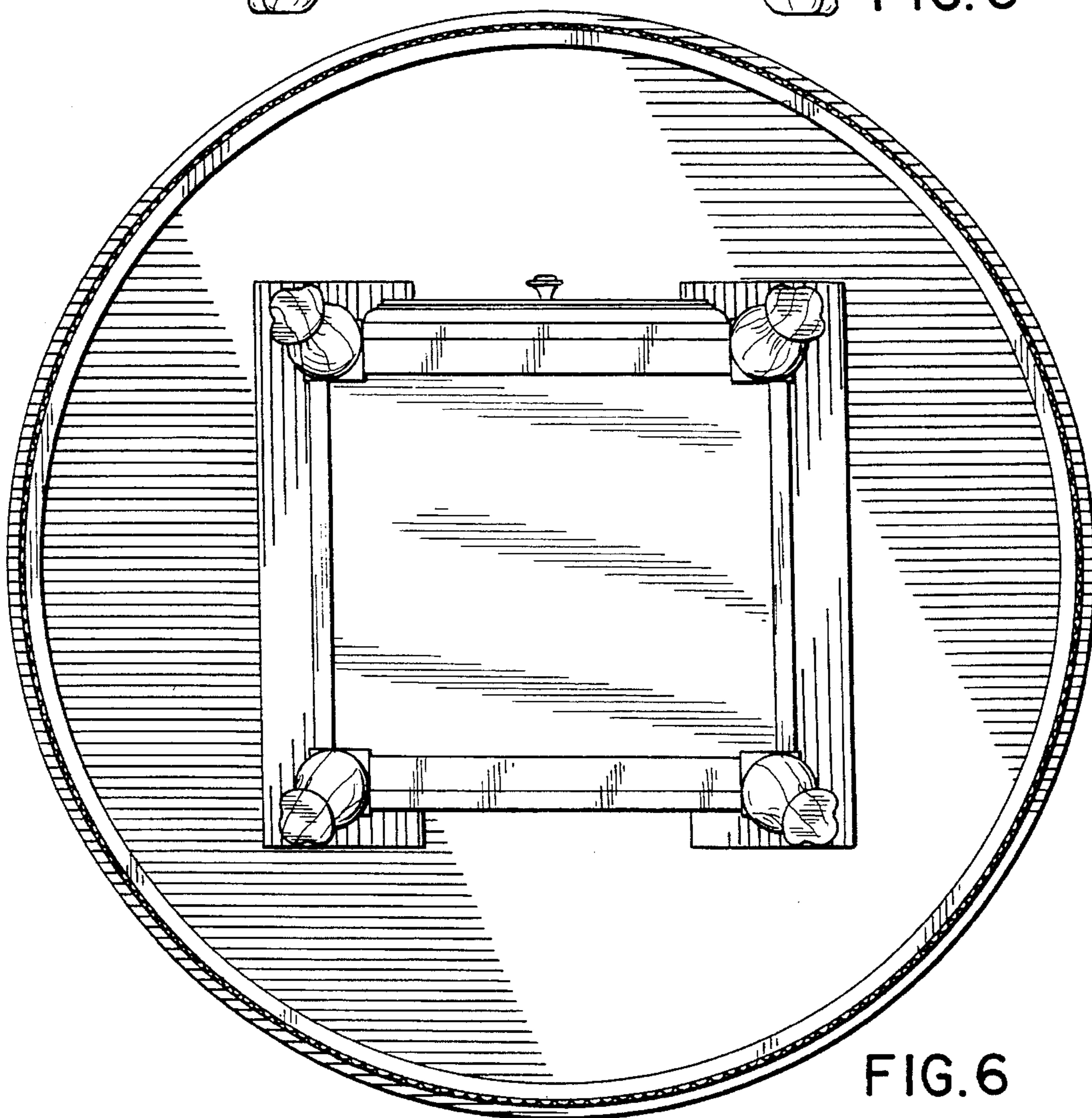


FIG. 6