



US00D377277S

United States Patent [19]

Jacobs et al.

[11] Patent Number: **Des. 377,277**

[45] Date of Patent: ****Jan. 14, 1997**

[54] **FOLDABLE MOBILE OFFICE**

[75] Inventors: **Ronna L. Jacobs**, Saugatuck; **Allen B. Belka**, Wayland, both of Mich.

[73] Assignee: **Haworth, Inc.**, Holland, Mich.

[**] Term: **14 Years**

3,078,133 2/1963 Schauer 312/310 X
 3,878,939 4/1975 Wilcox 206/373
 4,709,971 12/1987 Leeds et al. 312/201
 4,919,498 4/1990 Turner 312/241
 4,993,782 2/1991 Williams 312/21
 5,129,491 7/1992 Seidman 190/18 A
 5,429,432 7/1995 Johnson 312/235.3

FOREIGN PATENT DOCUMENTS

694740 7/1953 United Kingdom 312/310

[21] Appl. No.: **50,045**

[22] Filed: **Feb. 7, 1996**

[52] U.S. Cl. **D6/425**; D6/430; D6/440

[58] Field of Search D6/421-431, 474, D6/440; 312/257-259, 310, 313, 223.2, 223.3, 194-196; 108/59, 60; 434/432, 307 R

OTHER PUBLICATIONS

The Wall Street Journal, Workers on the Go Get a Mobile Work Space, Feb. 3, 1995, 2 pages.
 Newspaper article—Box Office, Feb. 10, 1995, 1 page.

Primary Examiner—Carmen H. Vales-Lado
Attorney, Agent, or Firm—Flynn, Thiel, Boutell & Tanis, P.C.

[56] References Cited

U.S. PATENT DOCUMENTS

Re. 17,720 7/1930 Wheary .
 D. 281,382 11/1985 Byrne et al. D6/474
 D. 284,146 6/1986 Gordon D6/425
 D. 284,242 6/1986 Sackett et al. D6/430
 D. 284,337 6/1986 Papich et al. D6/430
 D. 289,715 5/1987 Kirch D6/425
 D. 291,162 8/1987 Kwiecinski D6/430
 D. 300,486 4/1989 Kaplan et al. D6/430
 D. 357,781 4/1995 Crinion D34/19
 D. 366,783 2/1996 Madimenos et al. D6/429
 D. 368,813 4/1996 Patton D6/425
 1,480,080 1/1924 Kent .
 1,994,044 3/1935 Michelet 68/10
 2,478,563 8/1949 Book 16/30
 2,672,921 3/1954 Herrick 155/124
 2,692,812 10/1954 Stahl 312/313 X
 2,755,156 7/1956 Nichols 312/314
 2,963,332 12/1960 Breuning 312/231

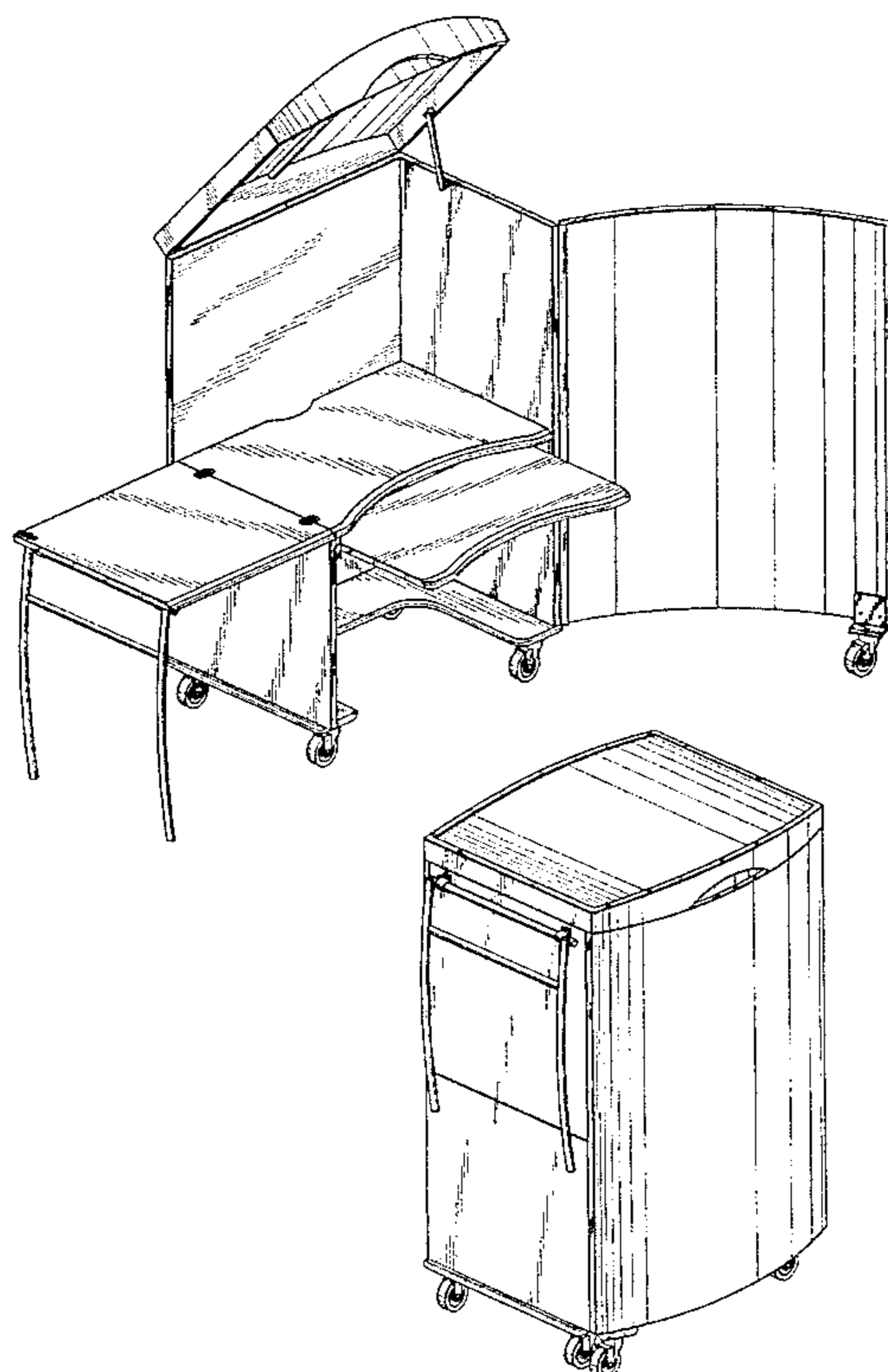
[57] CLAIM

The ornamental design for a foldable mobile office, as shown and described.

DESCRIPTION

FIG. 1 is a front elevational view of a foldable mobile office showing our new design;
 FIG. 2 is a left-side elevational view thereof;
 FIG. 3 is a right-side elevational view thereof;
 FIG. 4 is a rear elevational view thereof;
 FIG. 5 is a top plan view thereof;
 FIG. 6 is a bottom view thereof;
 FIG. 7 is a perspective view thereof; and,
 FIG. 8 is a perspective view in folded condition.

1 Claim, 8 Drawing Sheets



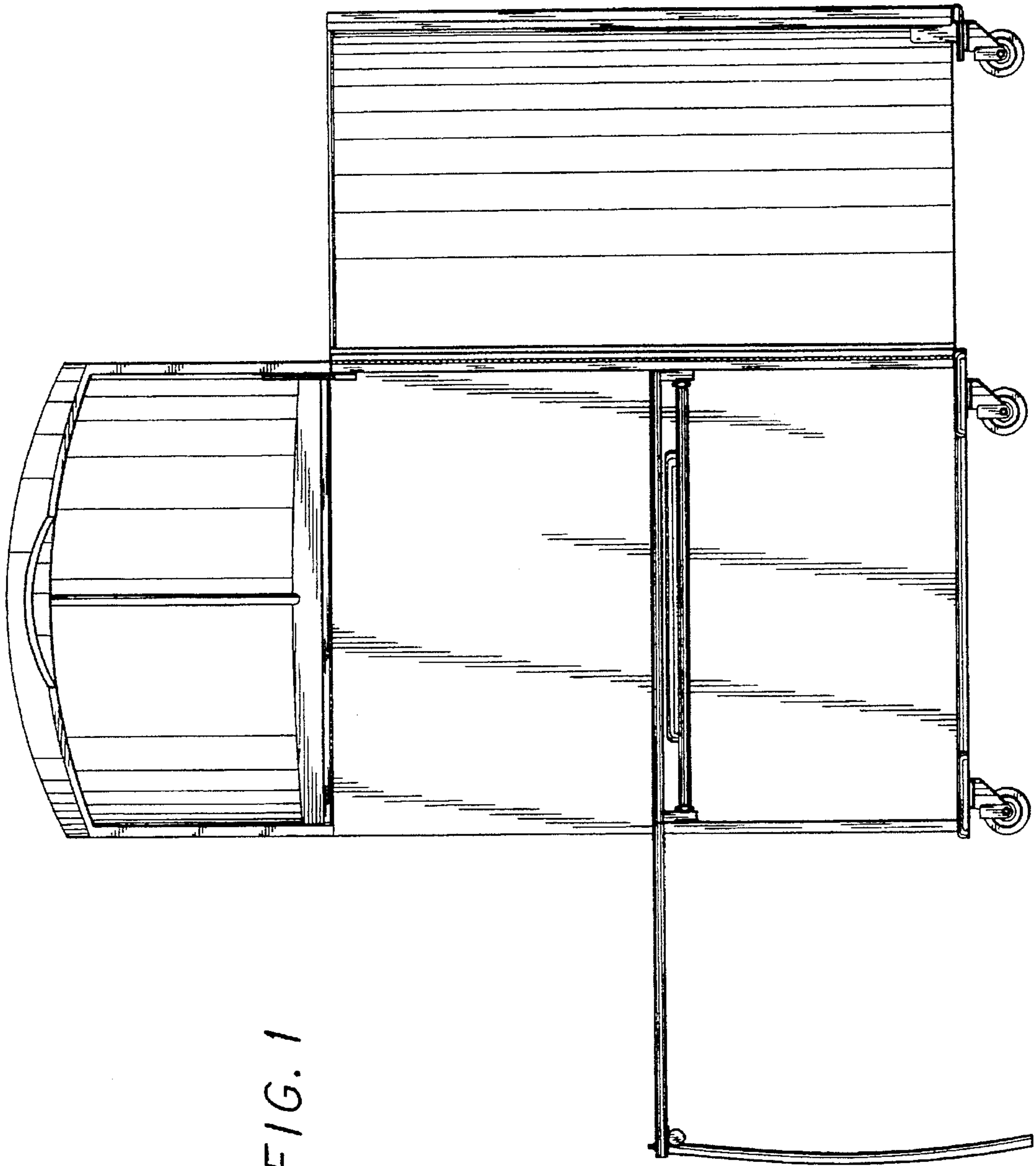


FIG. 1

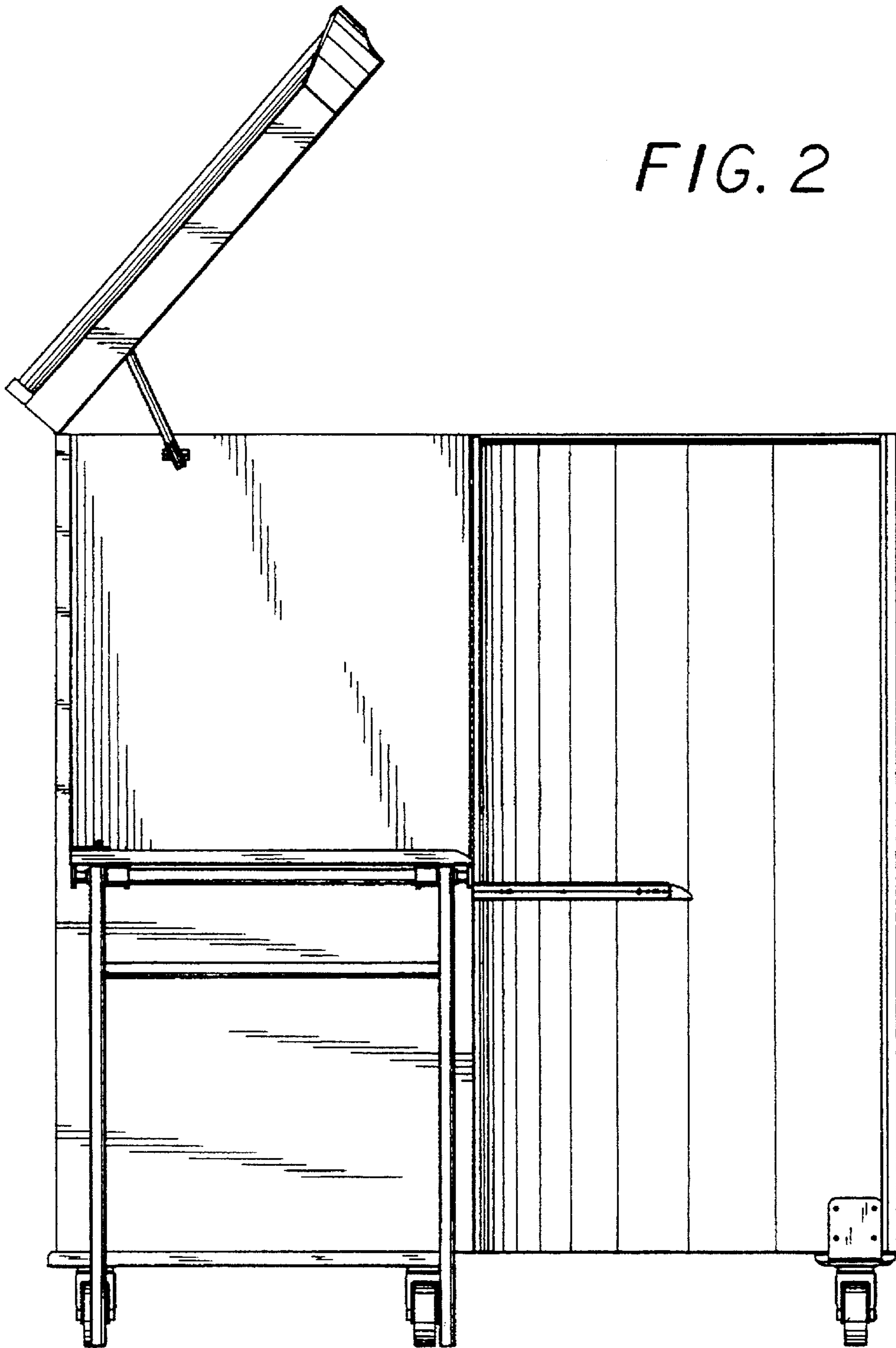
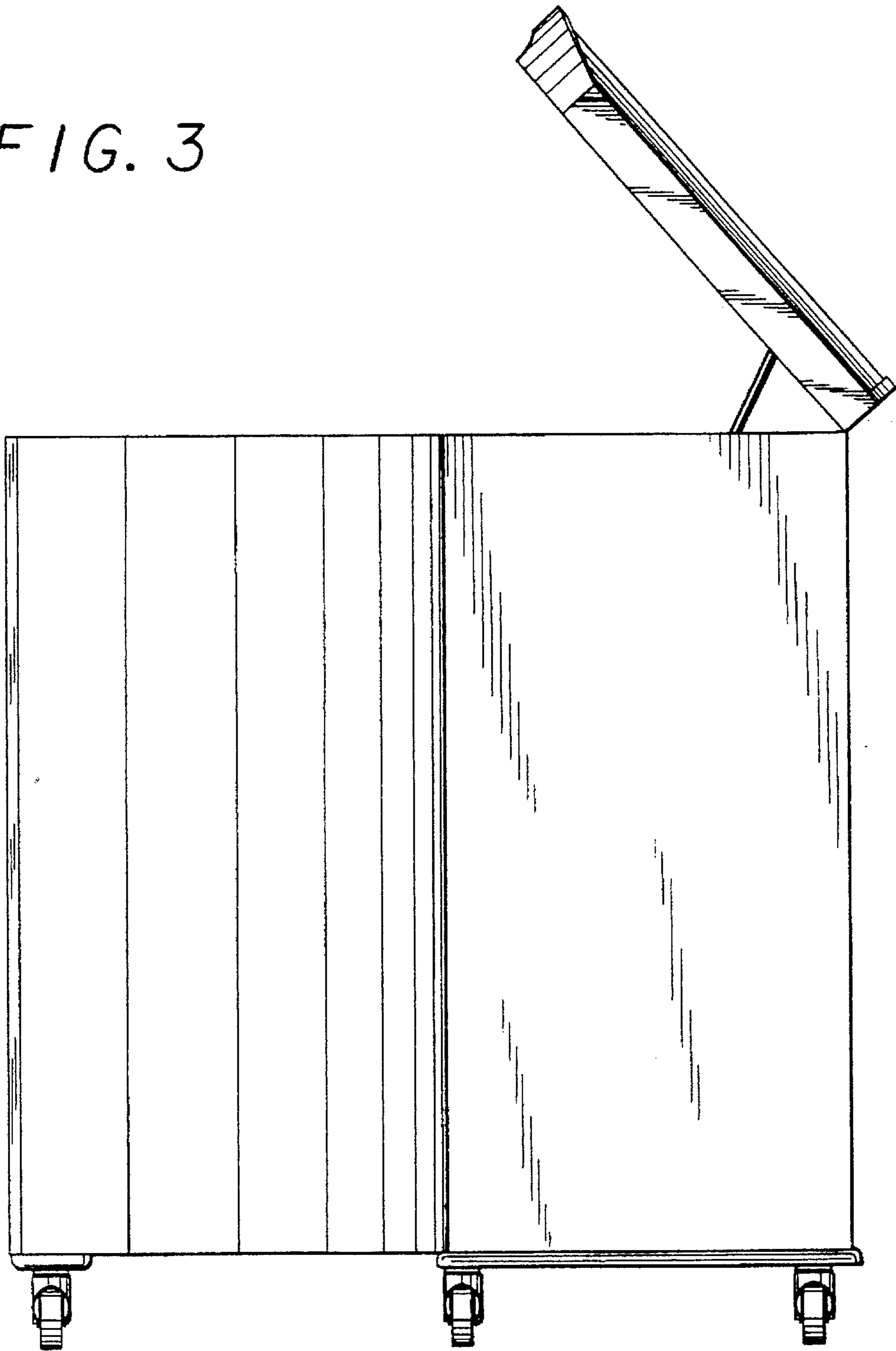


FIG. 2

FIG. 3



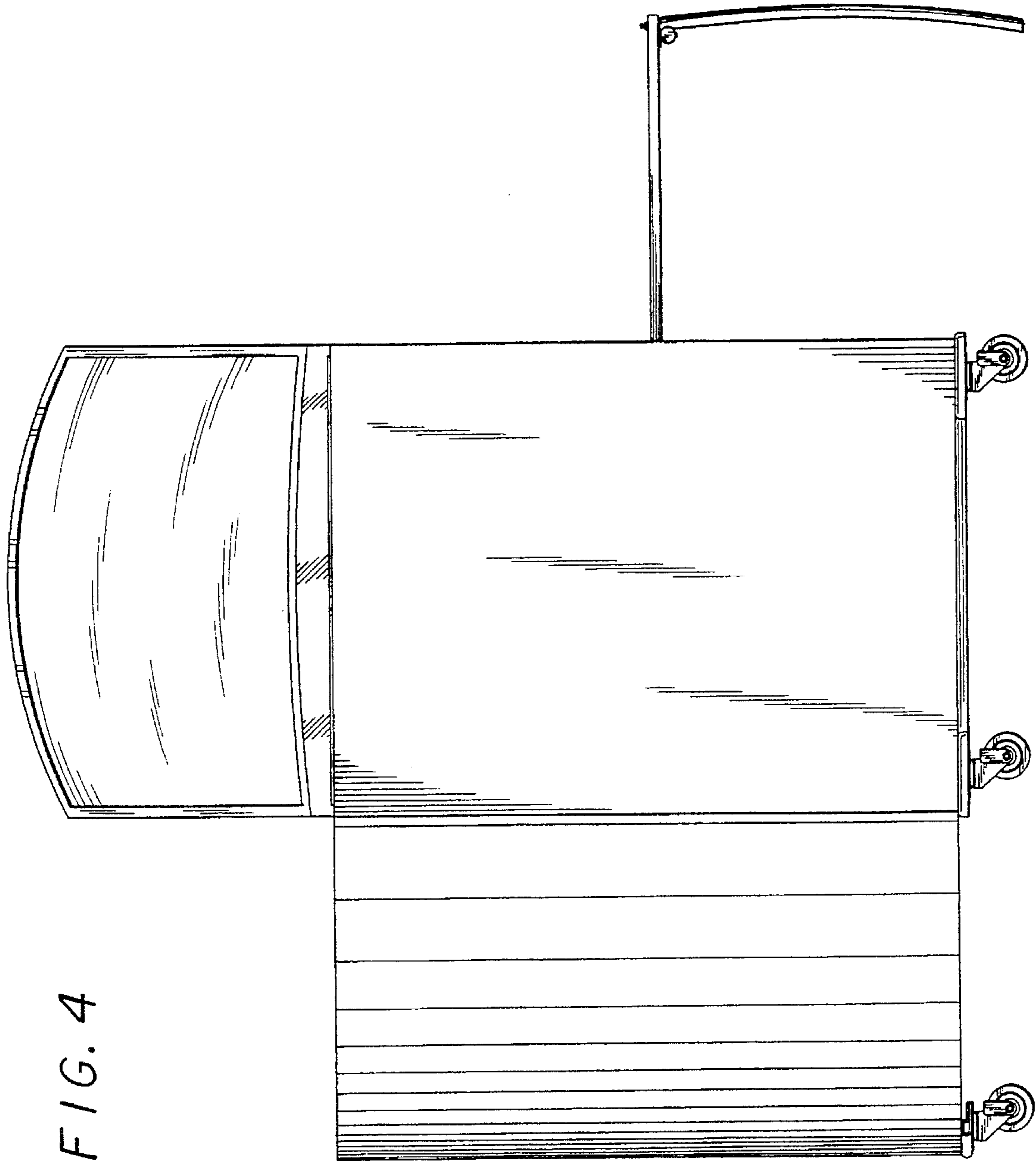


FIG. 4

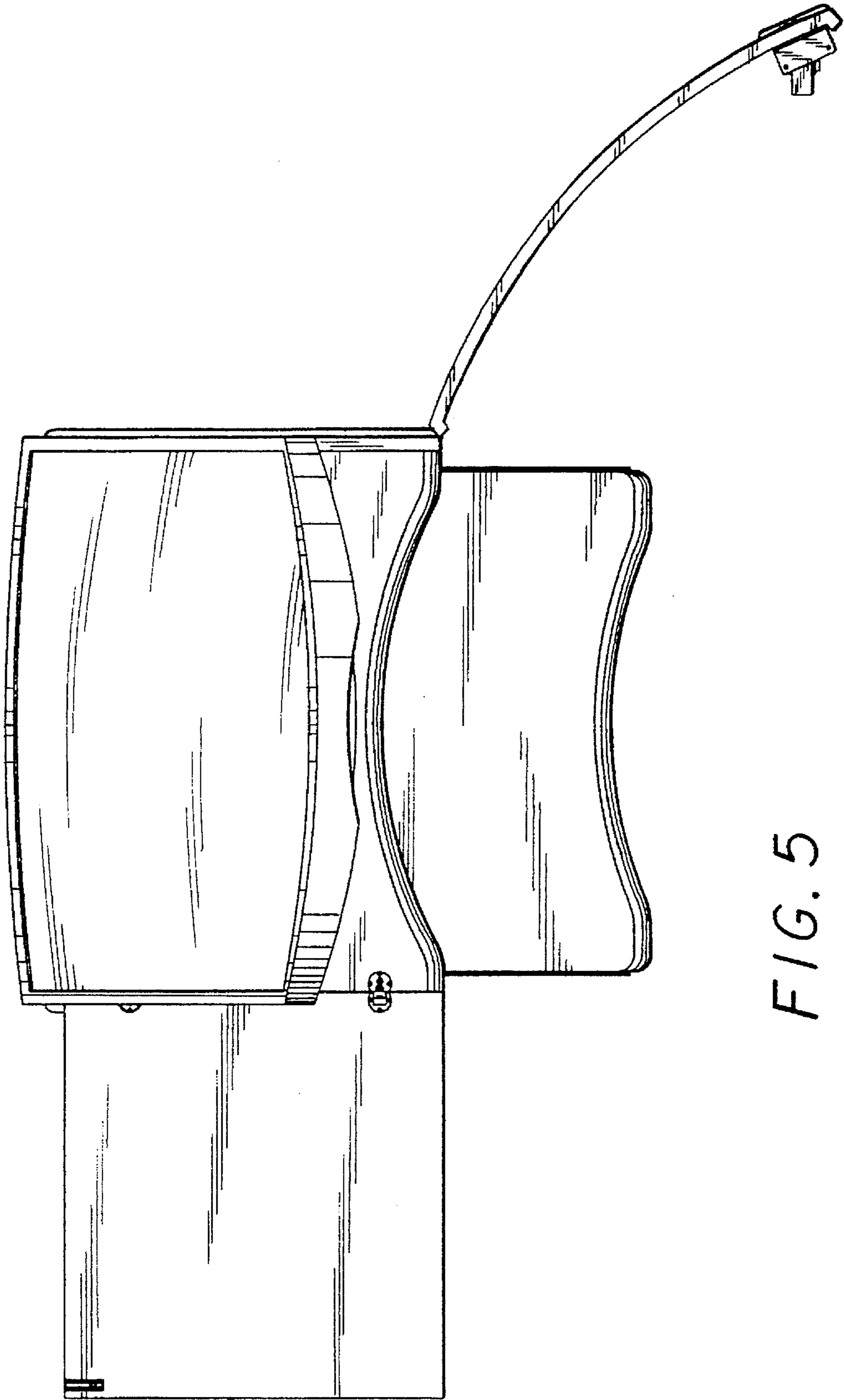


FIG. 5

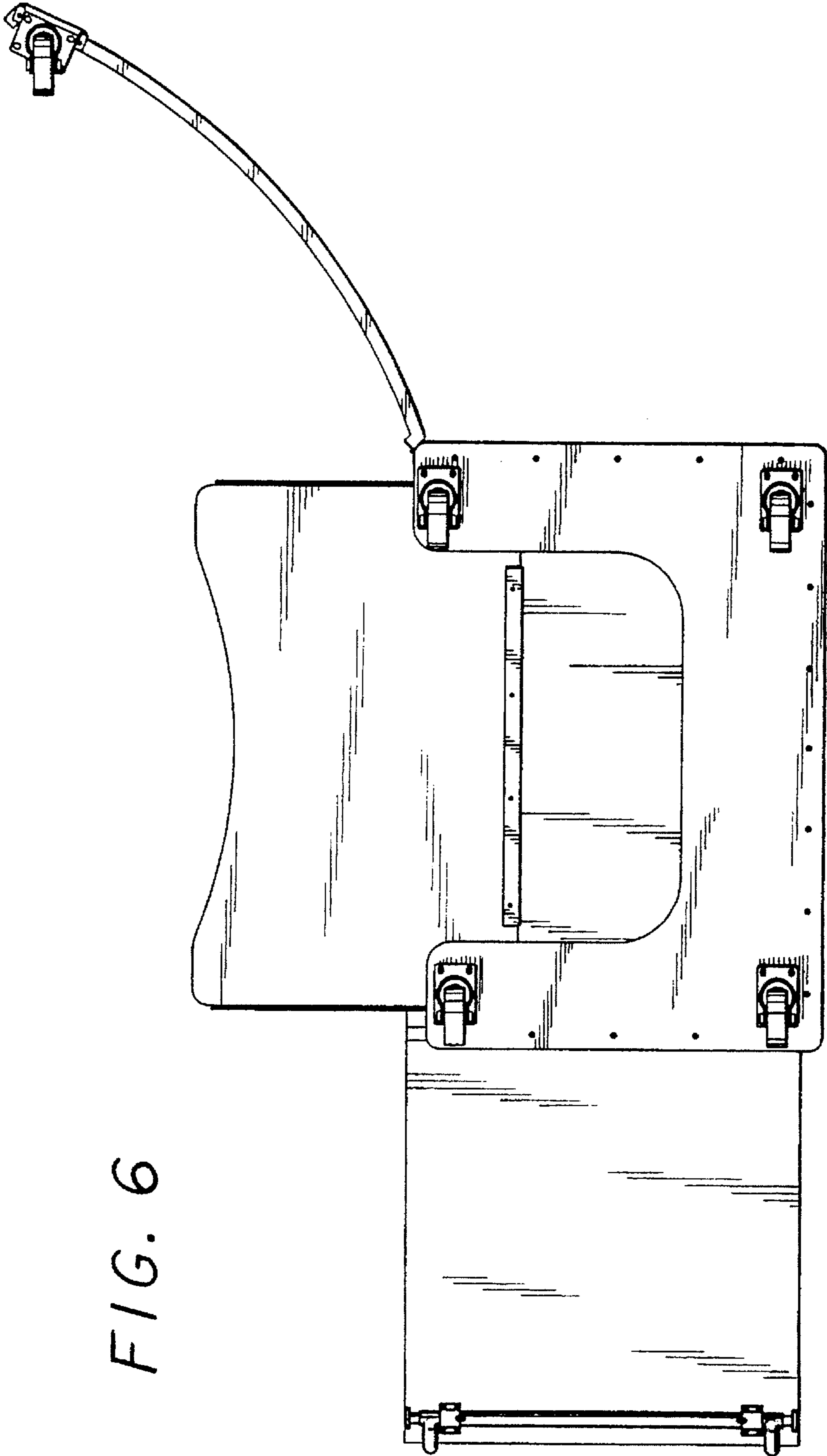


FIG. 6

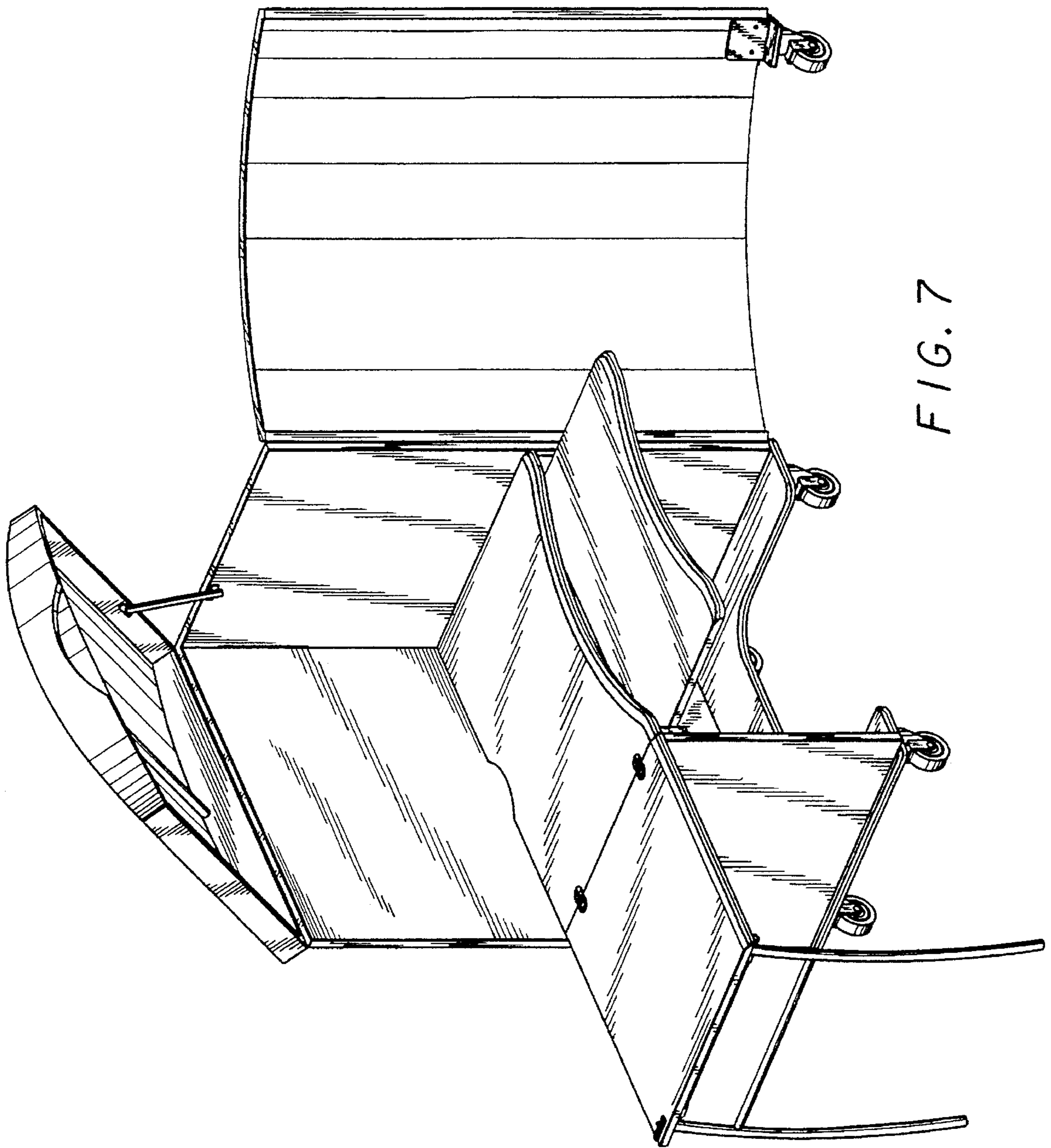


FIG. 7

FIG. 8

