



US00D377275S

# United States Patent [19]

Diletto

[11] Patent Number: **Des. 377,275**

[45] Date of Patent: **\*\*Jan. 14, 1997**

[54] **TRAY ATTACHMENT FOR A CHAIR**

4,174,669 11/1979 Lalonde ..... 108/44  
4,591,206 5/1986 Pribble ..... 297/161 X

[76] Inventor: **Mario Diletto**, 1146 Remsen Ave.,  
Brooklyn, N.Y. 11236

*Primary Examiner*—Janice E. Seeger  
*Attorney, Agent, or Firm*—Richard A. Joel

[\*\*] Term: **14 Years**

## [57] CLAIM

[21] Appl. No.: **39,094**

The ornamental design for a tray attachment for a chair, as shown and described.

[22] Filed: **May 15, 1995**

[52] U.S. Cl. .... **D6/418; D6/406; D6/429**

## DESCRIPTION

[58] Field of Search ..... D6/429, 430, 511,  
D6/406, 418, 513, 574; D8/380, 381; 108/25,  
44, 48, 49, 148; 297/160, 161

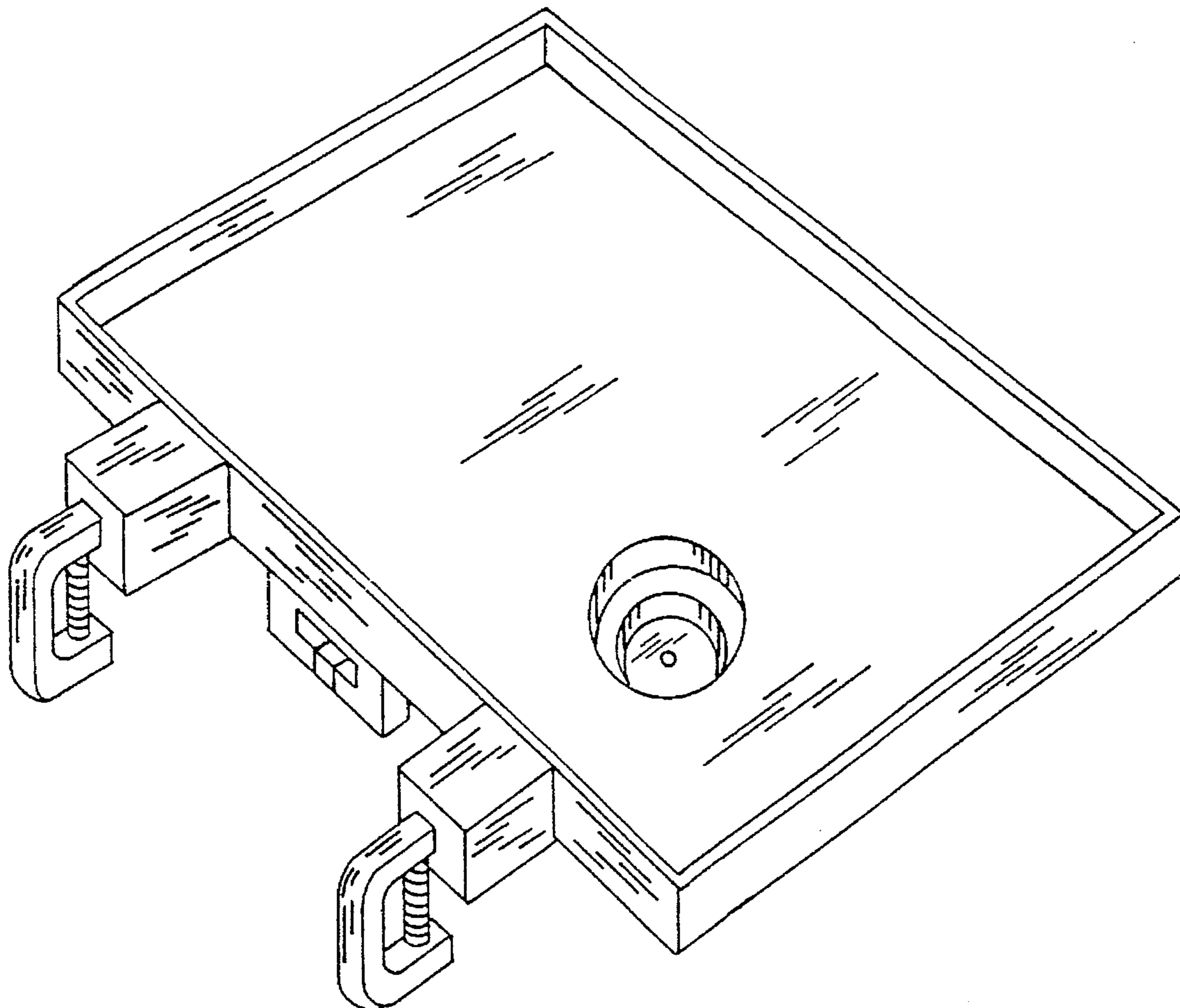
FIG. 1 is top view of the invention;  
FIG. 2 is a front view of the chair mate;  
FIG. 3 is a bottom view of the invention;  
FIG. 4 is a side view of the invention the with arm extended;  
FIG. 5 is a side view with the arm closed;  
FIG. 6 is a rear view of the invention; and,  
FIG. 7 is a perspective view of the chair mate attachment showing the new design;

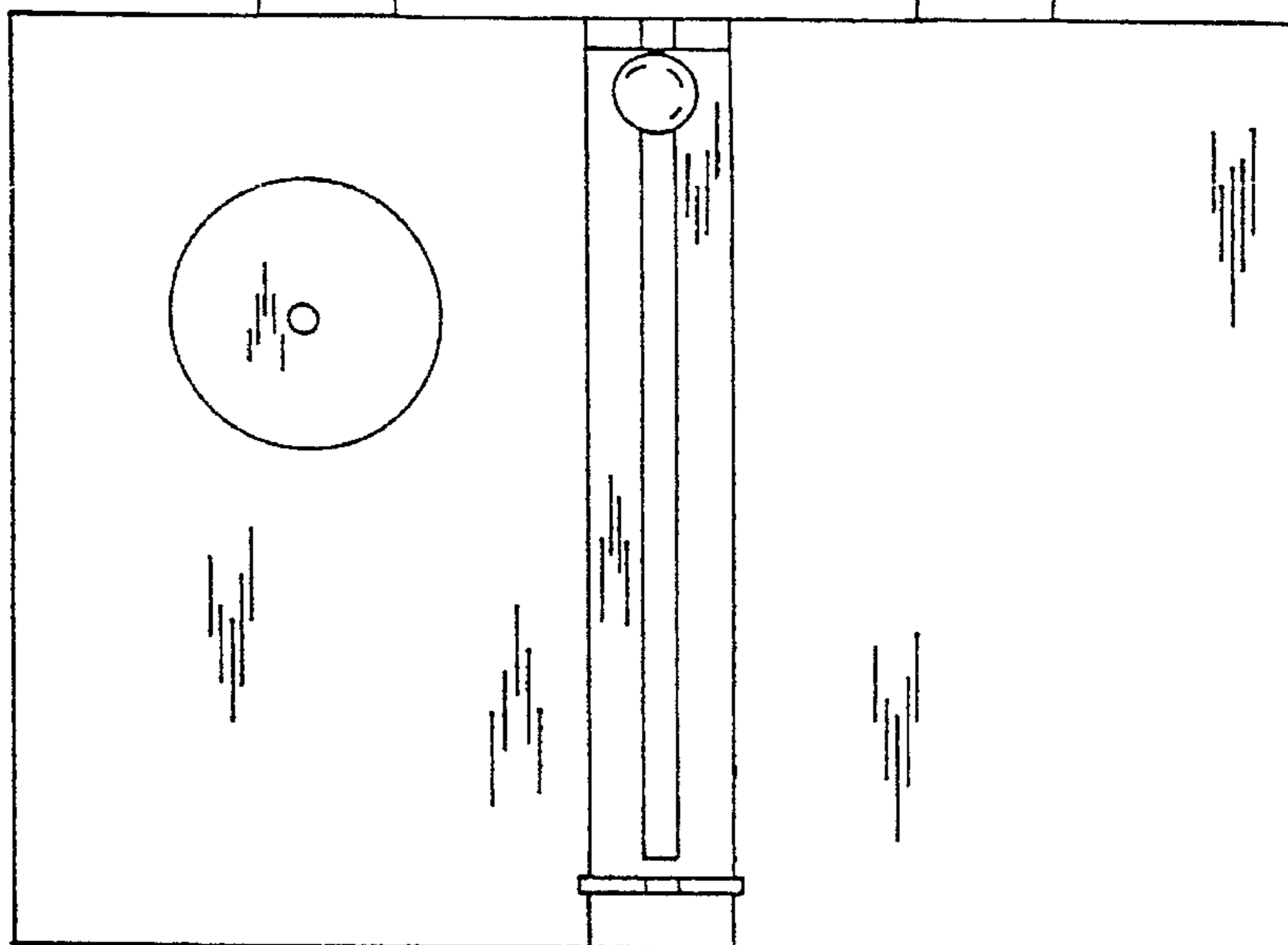
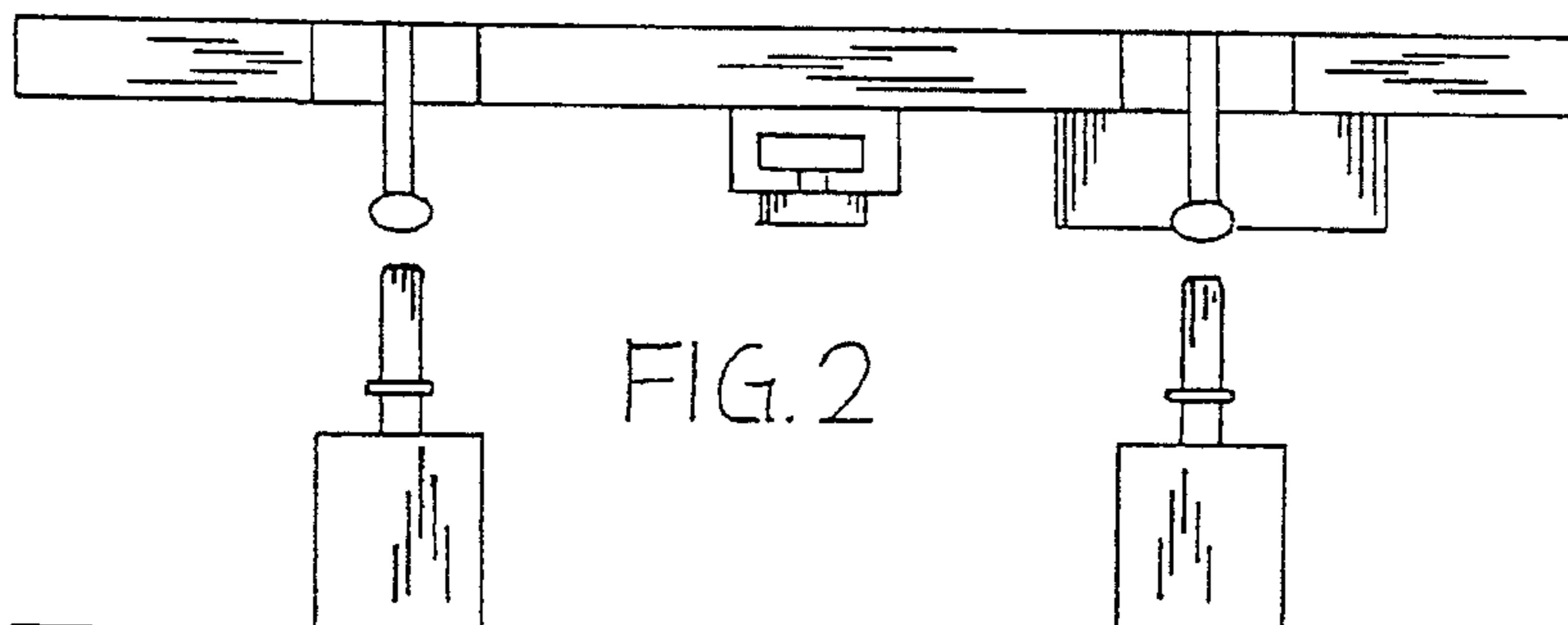
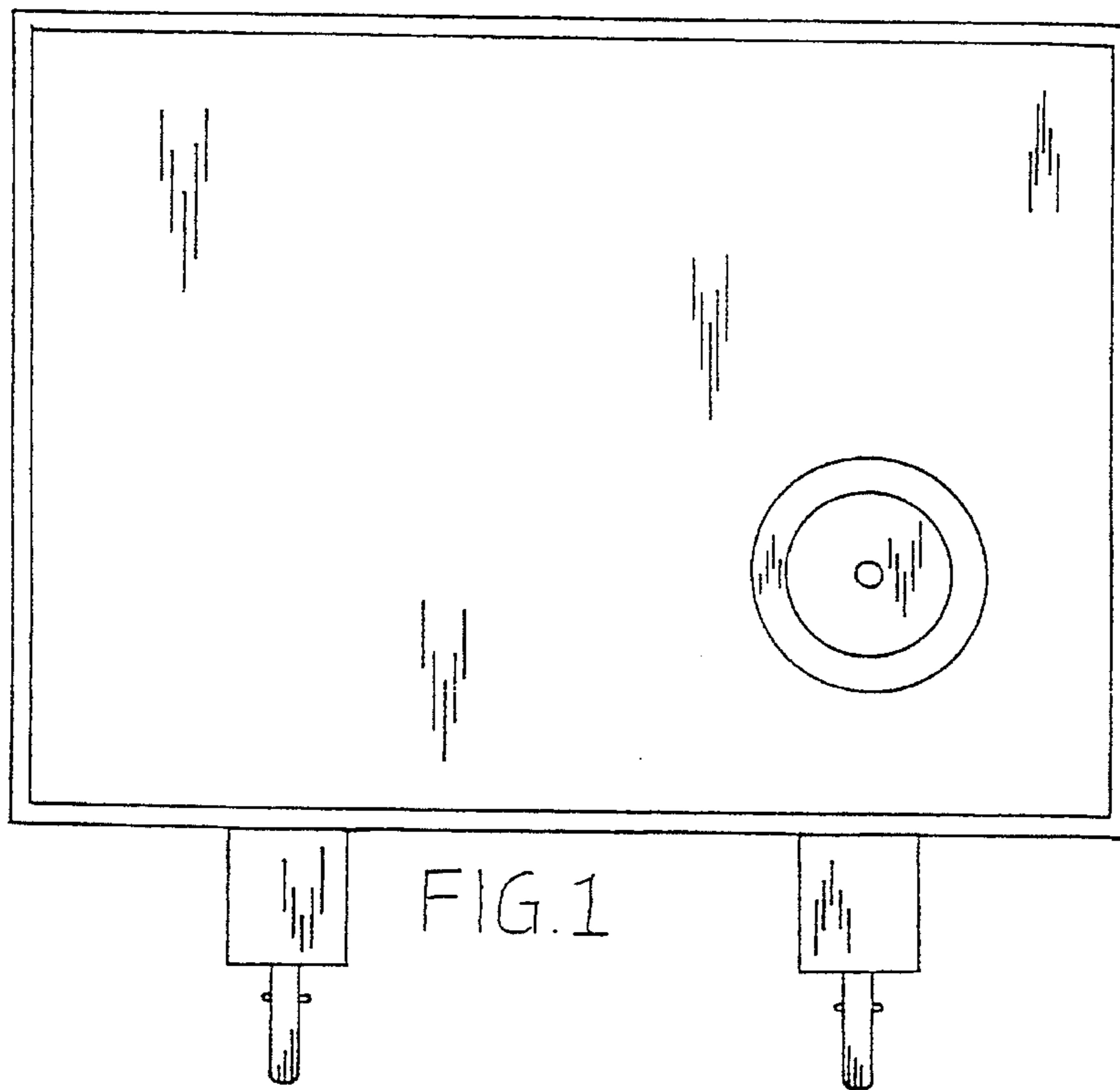
## [56] References Cited

### U.S. PATENT DOCUMENTS

D. 292,352	10/1987	Hampshire et al. ....	D6/418
D. 308,773	6/1990	Morrow et al. ....	D6/406
D. 337,907	8/1993	Page .....	D6/511
D. 353,123	12/1994	Korona .....	D12/133

**1 Claim, 2 Drawing Sheets**





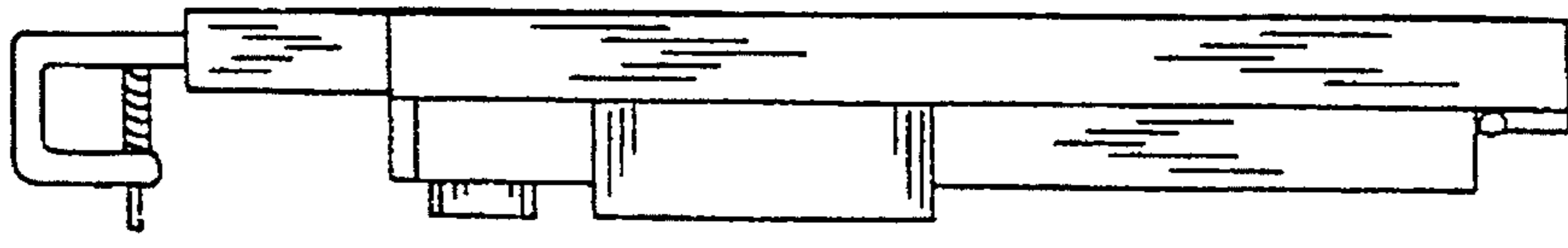
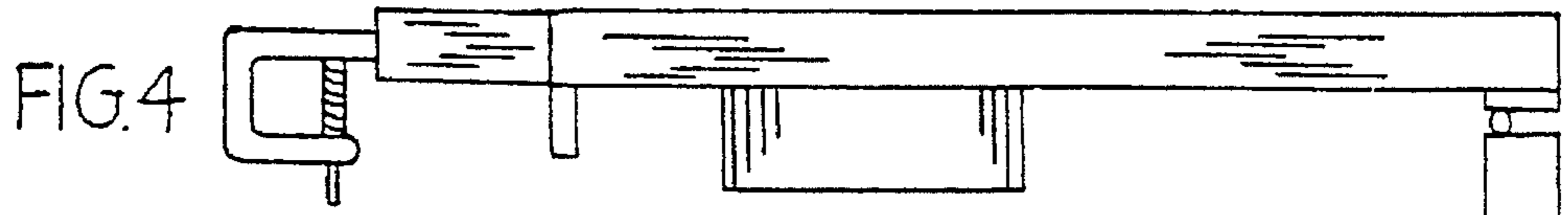


FIG.5

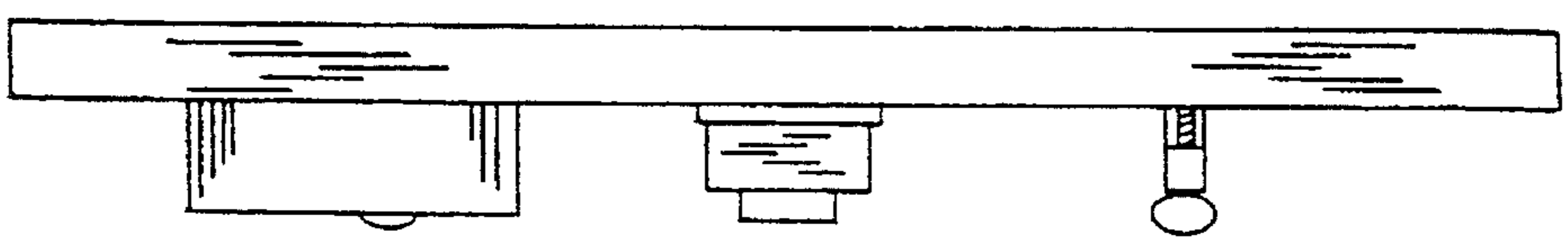


FIG.6

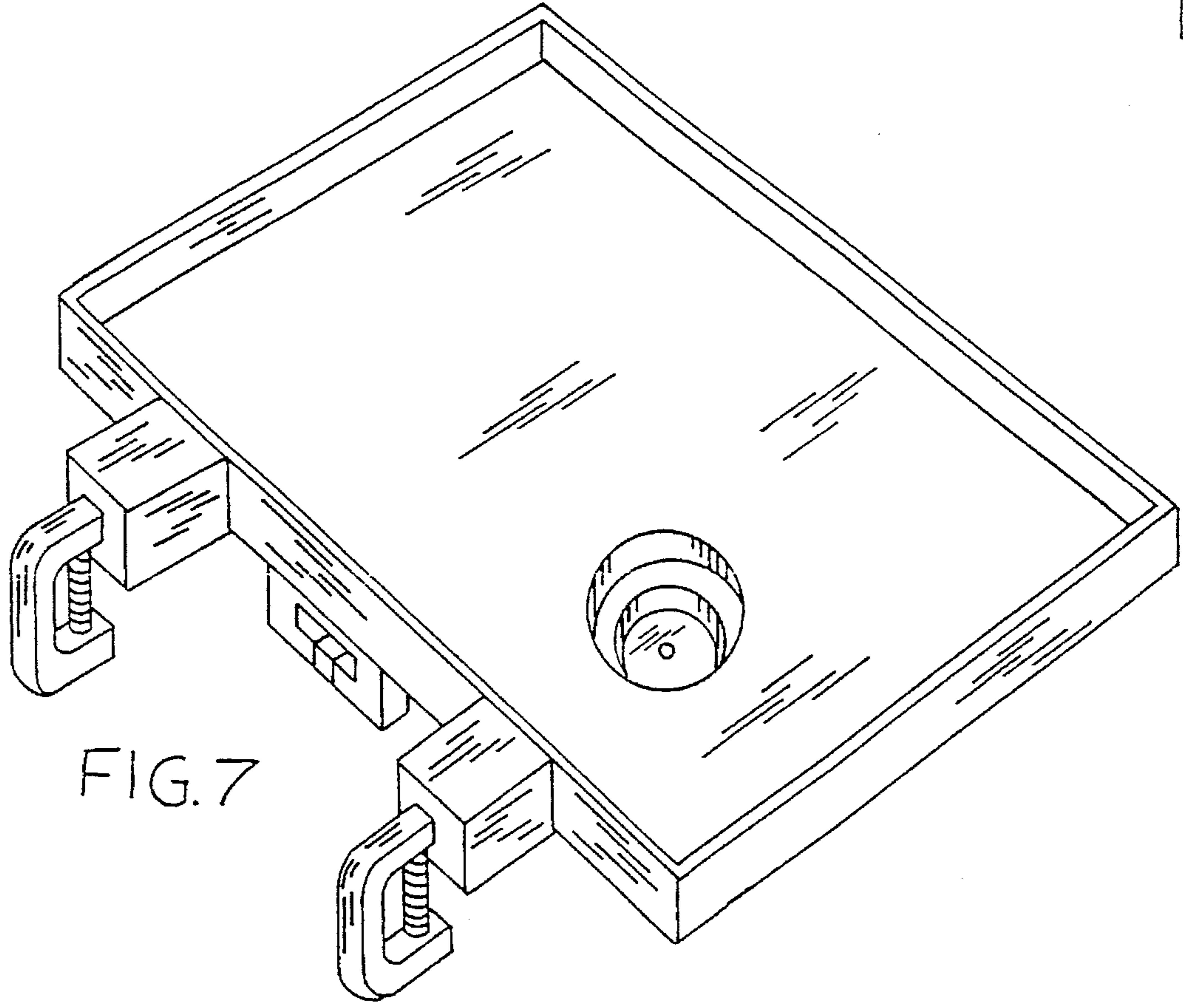


FIG.7