



US00D377273S

# United States Patent [19]

Amos

[11] Patent Number: **Des. 377,273**

[45] Date of Patent: **\*\*Jan. 14, 1997**

[54] **ARTICLE SUPPORT TRAY**

[76] Inventor: **Michael Amos**, P.O. Box 624,  
Fallbrook, Calif. 92028

[\*\*] Term: **14 Years**

[21] Appl. No.: **36,481**

[22] Filed: **Mar. 21, 1995**

[52] U.S. Cl. .... **D6/406; D7/602; D7/620;**  
D7/553

[58] Field of Search ..... D6/403, 406, 419,  
D6/420, 511, 339; D7/549, 620, 550, 619,  
553, 602, 555, 554; D12/415, 416; D19/90,  
91; 297/148

[56] **References Cited**

**U.S. PATENT DOCUMENTS**

D. 193,244	7/1962	Bliss	.....	D6/406
D. 281,555	12/1985	Levy	.....	D6/406
D. 282,043	1/1986	Morin	.....	D6/406
D. 282,218	1/1986	Catelli	.....	D6/406 X
D. 289,247	1/1987	Wang	.....	D6/406 X
D. 293,493	12/1987	Garr	.....	D6/406 X
D. 296,852	7/1988	Buchweitz, Jr. et al.	.....	D6/511 X
D. 308,450	6/1990	Harris et al.	.....	D6/406
D. 311,828	11/1990	Clark et al.	.....	D6/511 X
D. 331,330	12/1992	Bennett et al.	.....	D6/406 X
D. 342,842	1/1994	Lemon	.....	D6/406 X
D. 349,426	8/1994	Norris	.....	D6/406 X

D. 353,123	12/1994	Korona	.....	D6/511 X
D. 359,862	7/1995	Rousch	.....	D6/406
D. 363,643	10/1995	Eisenberg	.....	D6/406 X
D. 363,857	11/1995	Sussman	.....	D7/555 X
3,061,390	10/1962	Walsh et al.	.....	D6/406 X

**FOREIGN PATENT DOCUMENTS**

2078095 1/1982 United Kingdom ..... D7/549

**OTHER PUBLICATIONS**

Bed Table, Popular Science Monthly p. 85 Nov. 1937.

*Primary Examiner*—M. N. Pandozzi  
*Attorney, Agent, or Firm*—James E. Brunton

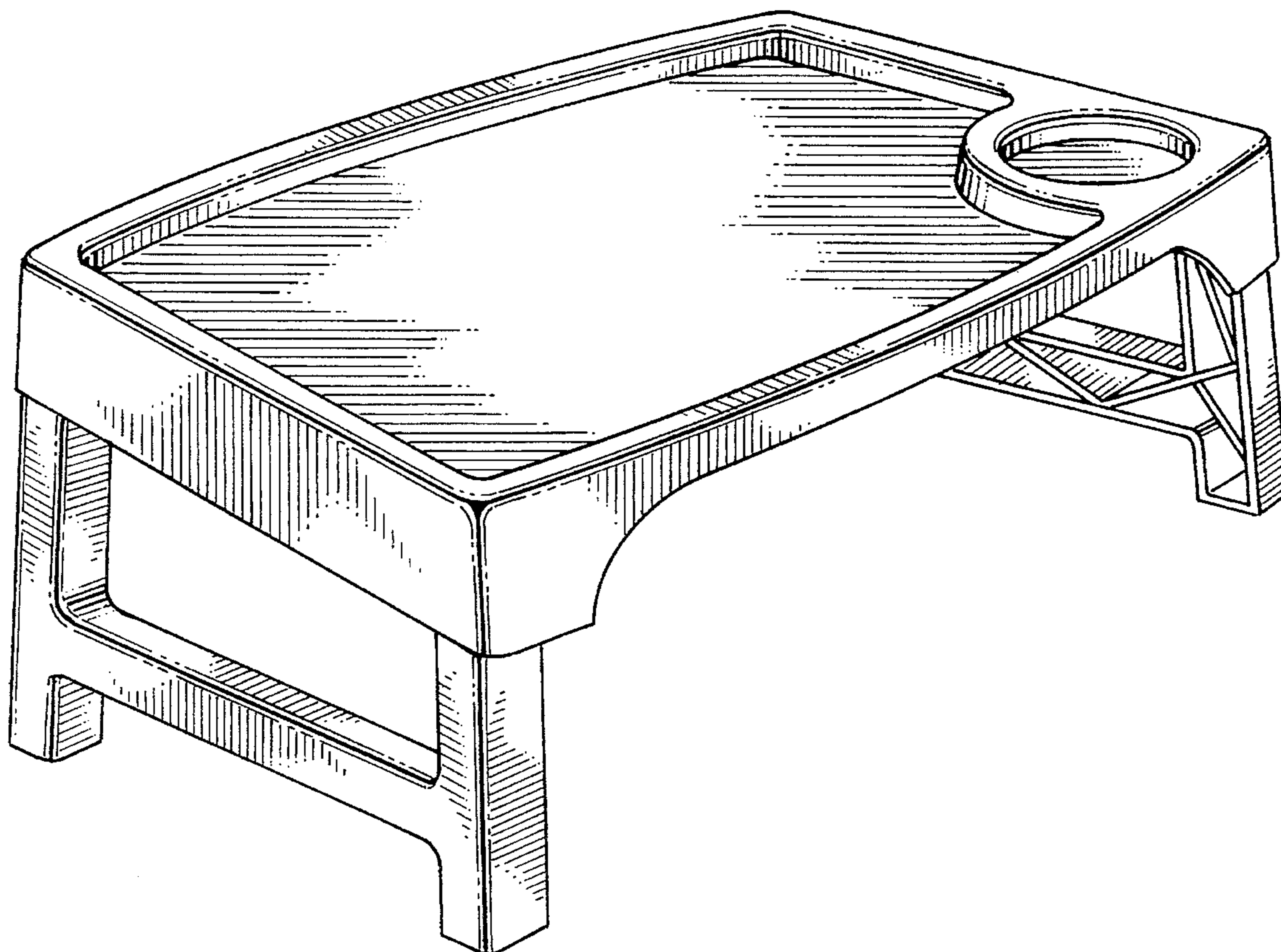
[57] **CLAIM**

The ornamental design for an article support tray, as shown and described.

**DESCRIPTION**

FIG. 1 is a perspective view of an article support tray showing my new design; FIG. 2 is a top plan view thereof; FIG. 3 is a side elevational view thereof; FIG. 4 is a rear view thereof; FIG. 5 is a front view thereof; FIG. 6 is a bottom plan view thereof; and, FIG. 7 is a cross-sectional view taken along lines 7—7 of FIG. 5.

**1 Claim, 3 Drawing Sheets**



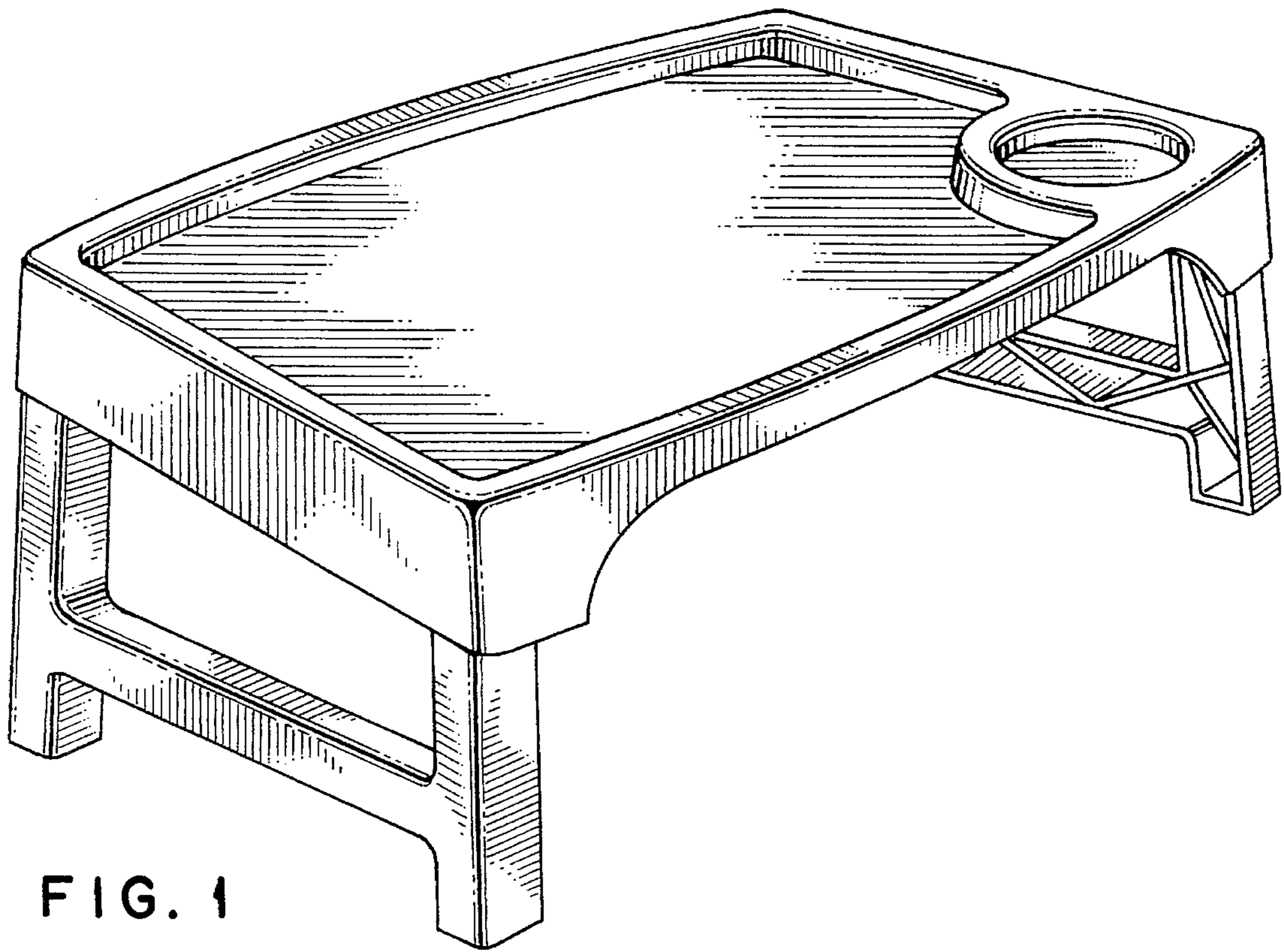


FIG. 1

FIG. 2

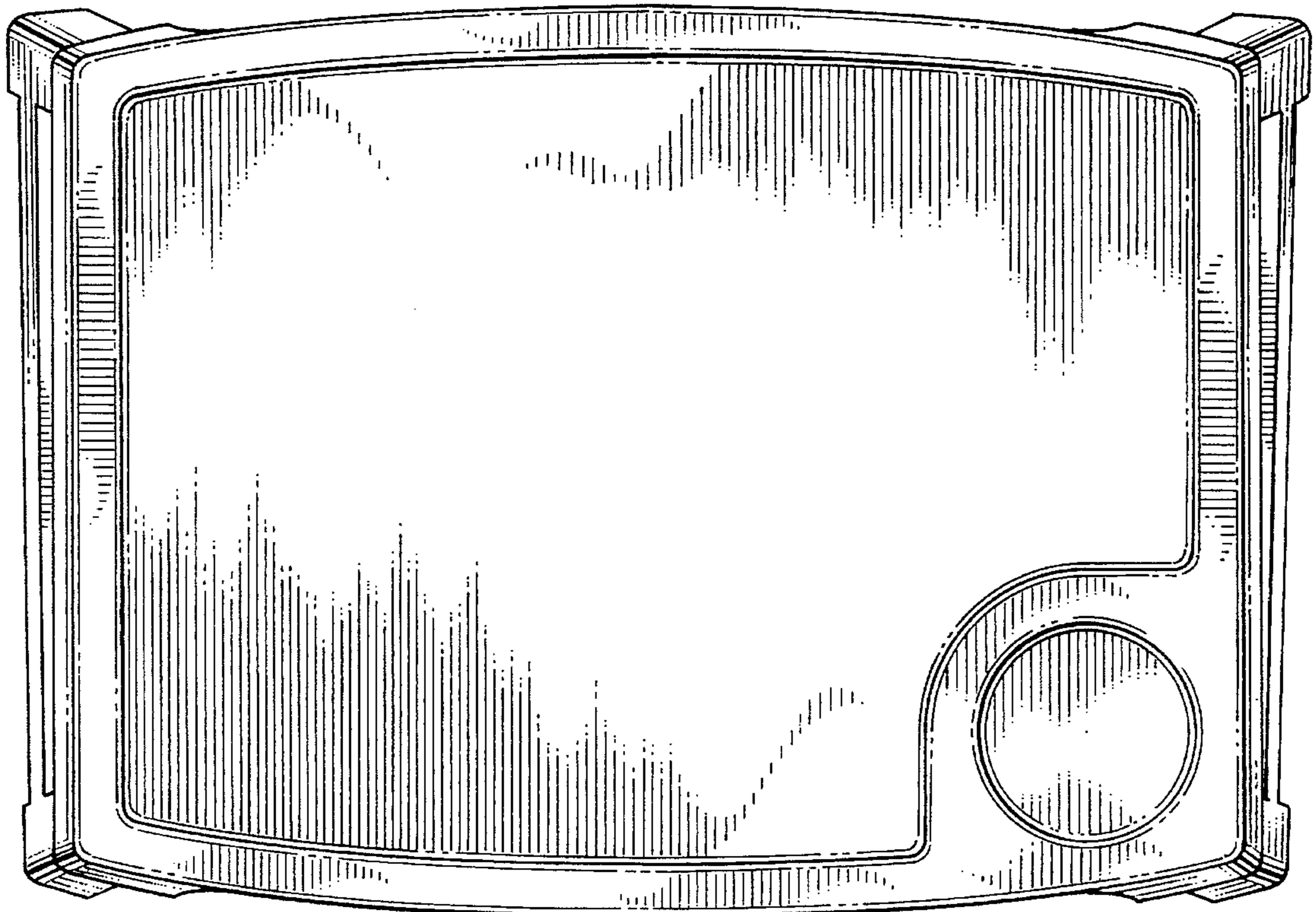




FIG. 3

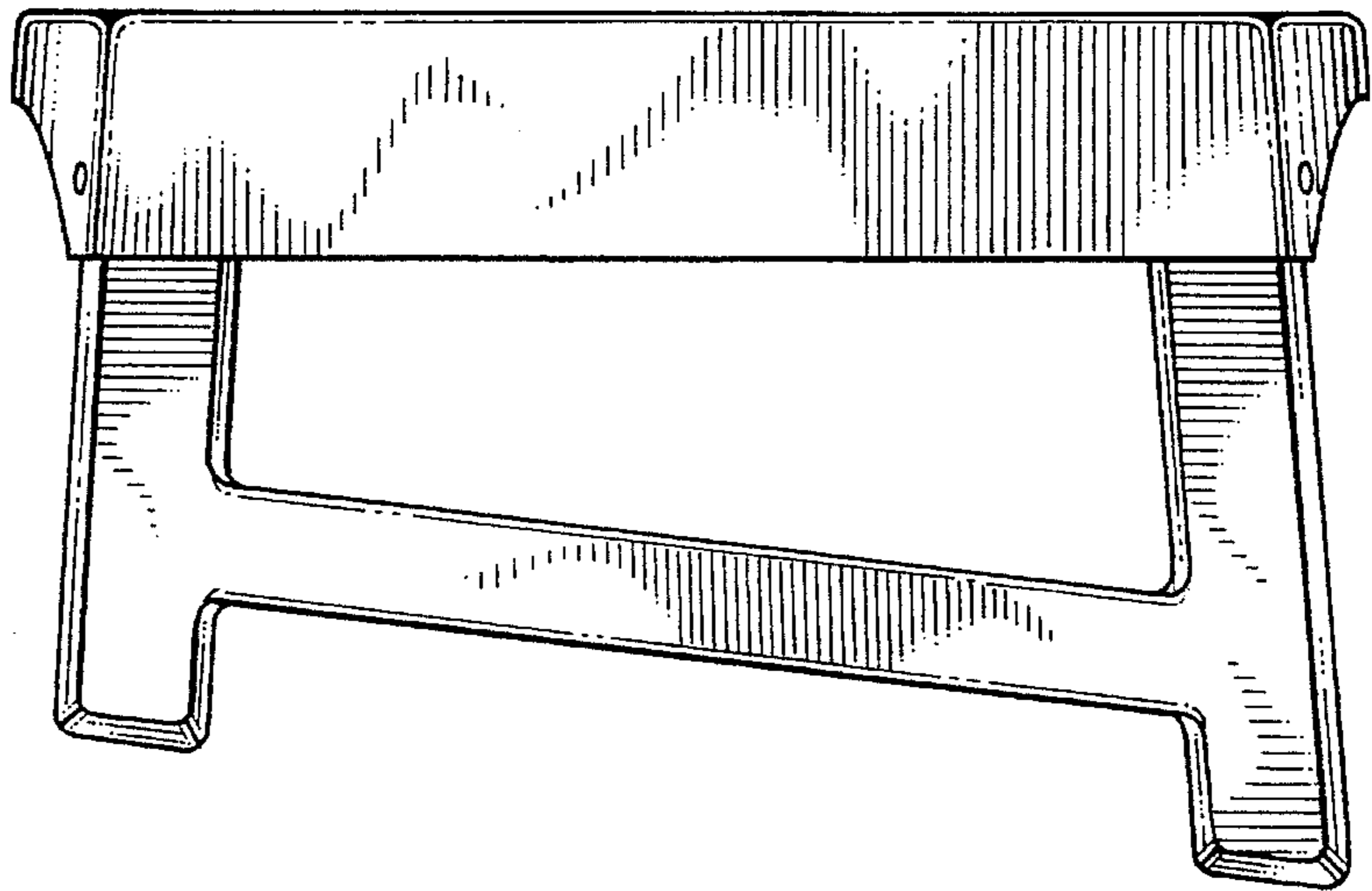


FIG. 4

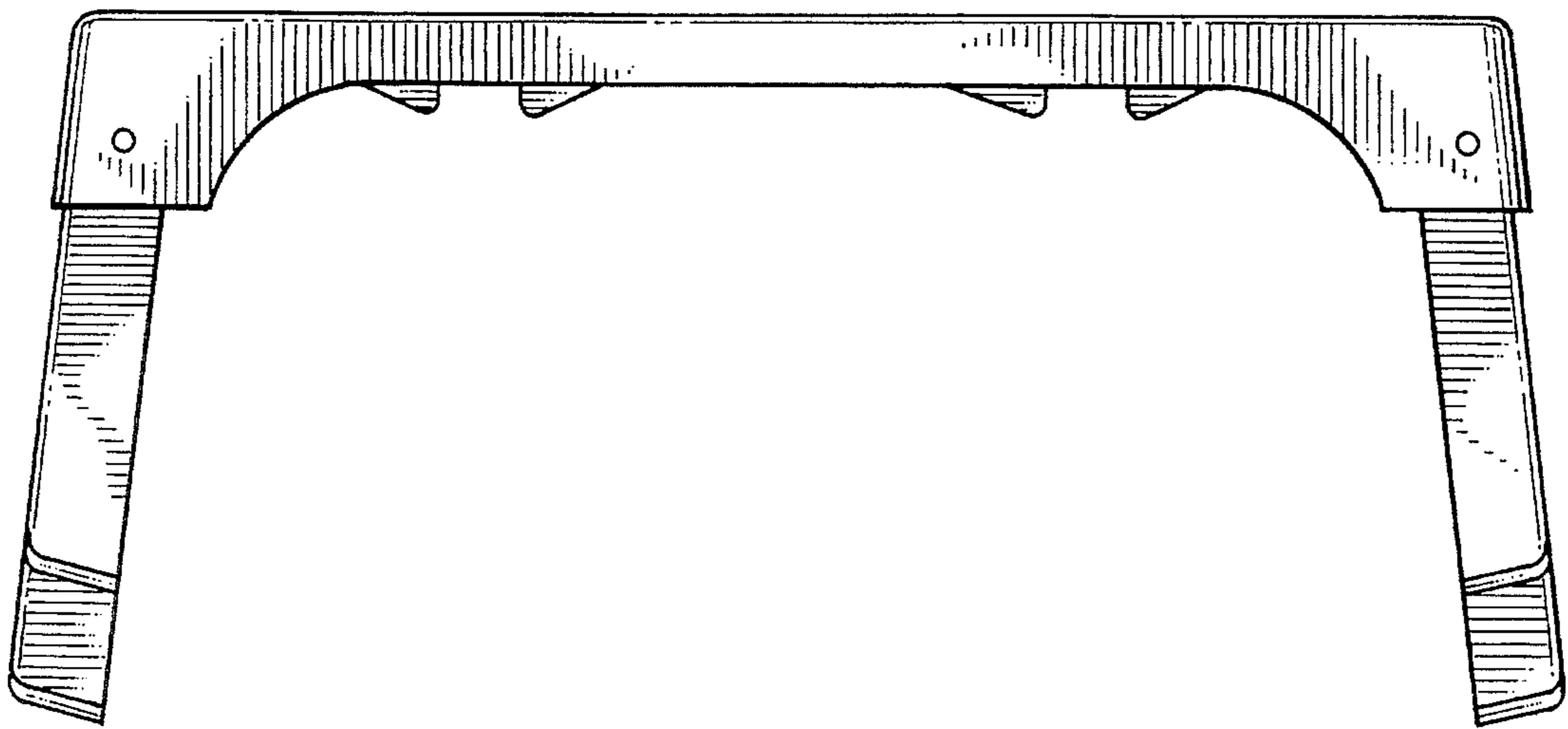
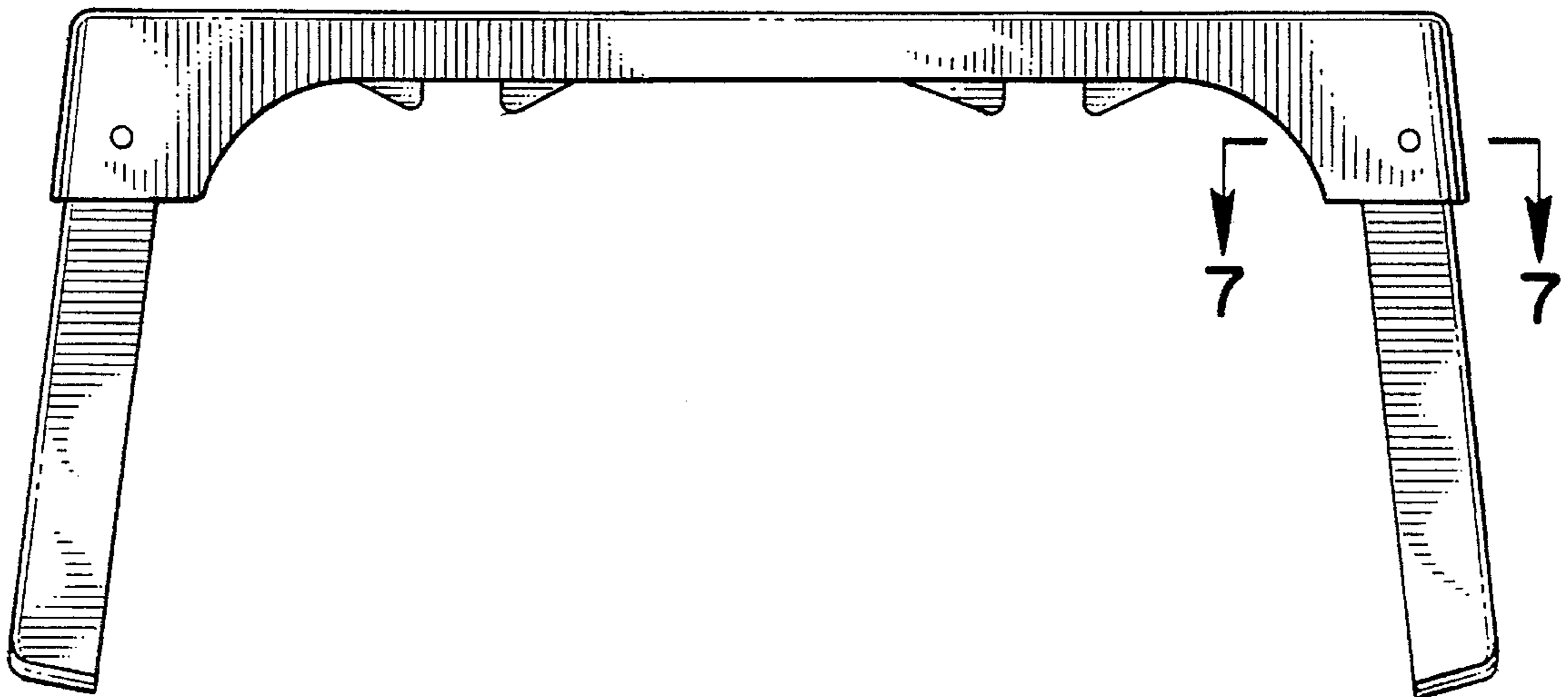


FIG. 5



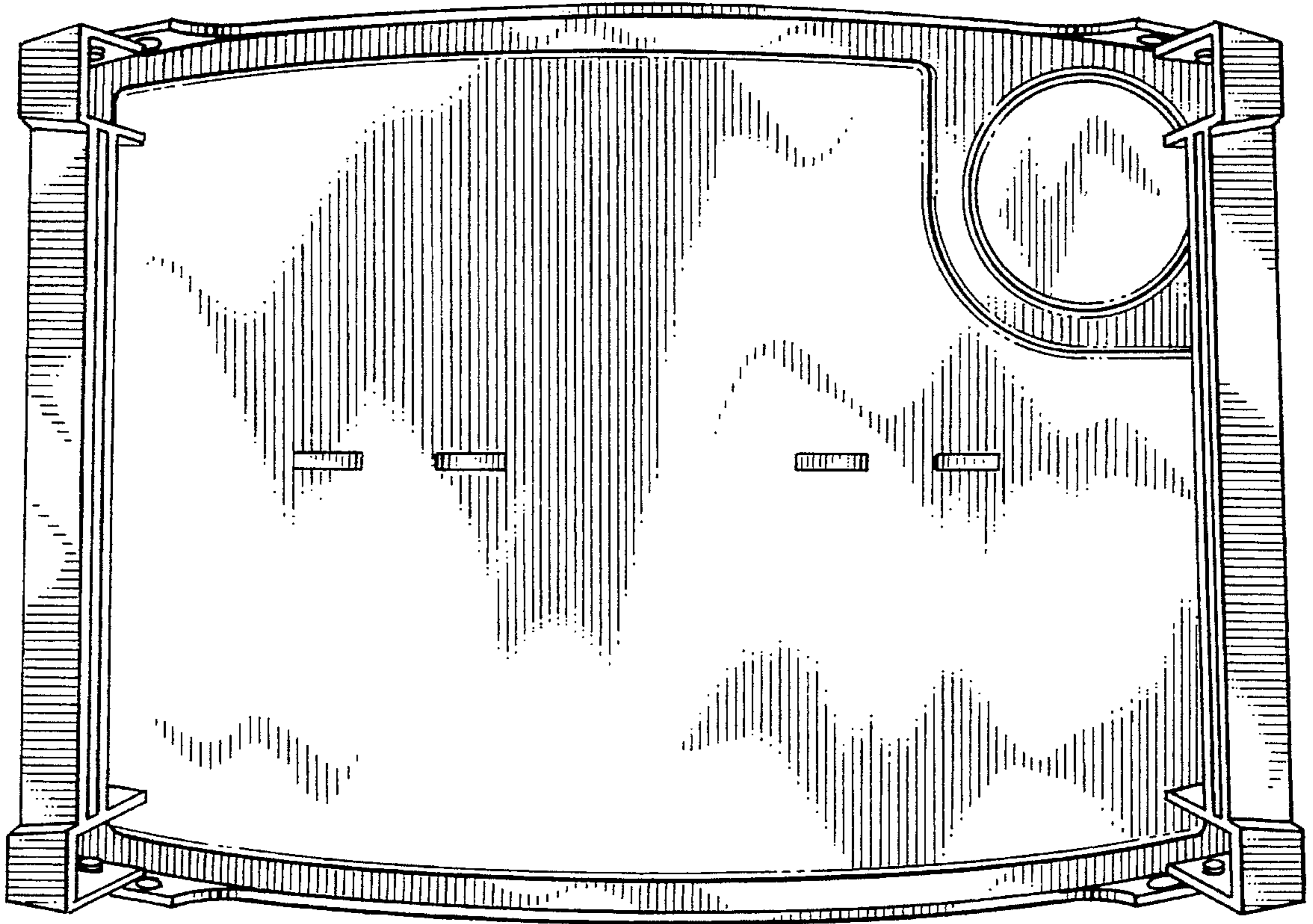


FIG. 6

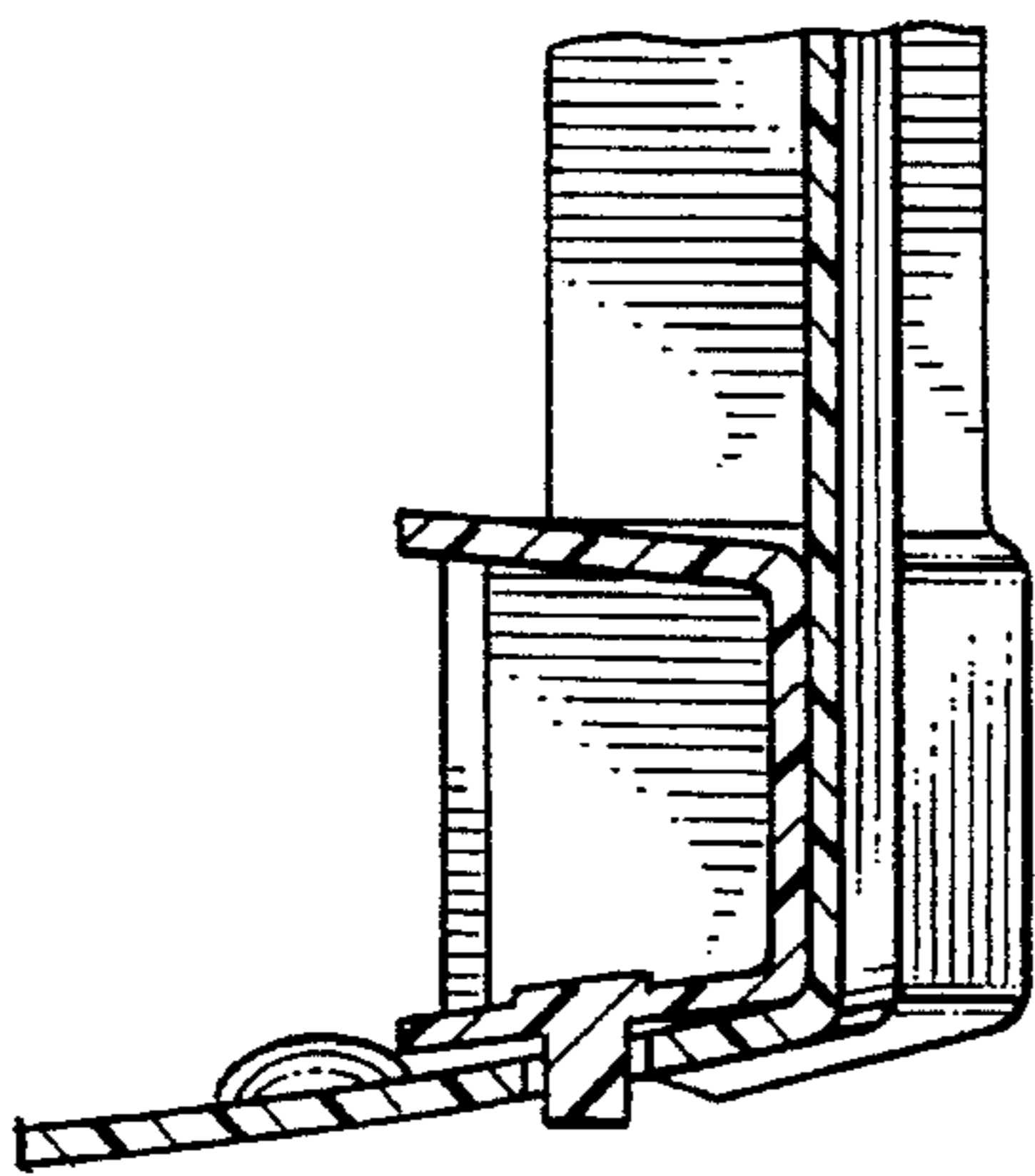


FIG. 7