



US00D377272S

United States Patent [19]

Dewitt

[11] Patent Number: **Des. 377,272**

[45] Date of Patent: ****Jan. 14, 1997**

[54] **CHECK STAND COUNTER**

[75] Inventor: **Wayne Dewitt**, Jacksonville, Fla.

[73] Assignee: **Load King Manufacturing Co., Inc.**, Jacksonville, Fla.

[**] Term: **14 Years**

[21] Appl. No.: **49,957**

[22] Filed: **Feb. 5, 1996**

[52] U.S. Cl. **D6/402**

[58] Field of Search D6/396, 397, 402;
312/140.1; 186/59-68

[56] References Cited

U.S. PATENT DOCUMENTS

D. 167,424	8/1952	Rubaloff	D6/402
D. 167,773	9/1952	Rubaloff	D6/402
D. 186,703	11/1959	Shoffner	D6/402
D. 188,298	6/1960	Shoffner	D6/402
D. 258,783	4/1981	Frederick	D6/402

Primary Examiner—Carmen H. Vales-Lado
Attorney, Agent, or Firm—Thomas C. Saitta

[57] CLAIM

The ornamental design for a check stand counter, as shown and described.

DESCRIPTION

FIG. 1 is a perspective view of a check stand counter showing my new design;

FIG. 2 is a top plan view thereof;

FIG. 3 is a front elevational view thereof;

FIG. 4 is a rear elevational view thereof;

FIG. 5 is a left side elevational view thereof;

FIG. 6 is a right side elevational view thereof; and,

FIG. 7 is a bottom plan view thereof.

The broken lines shown throughout the views illustrate environmental structure and form no part of the claimed design.

1 Claim, 3 Drawing Sheets

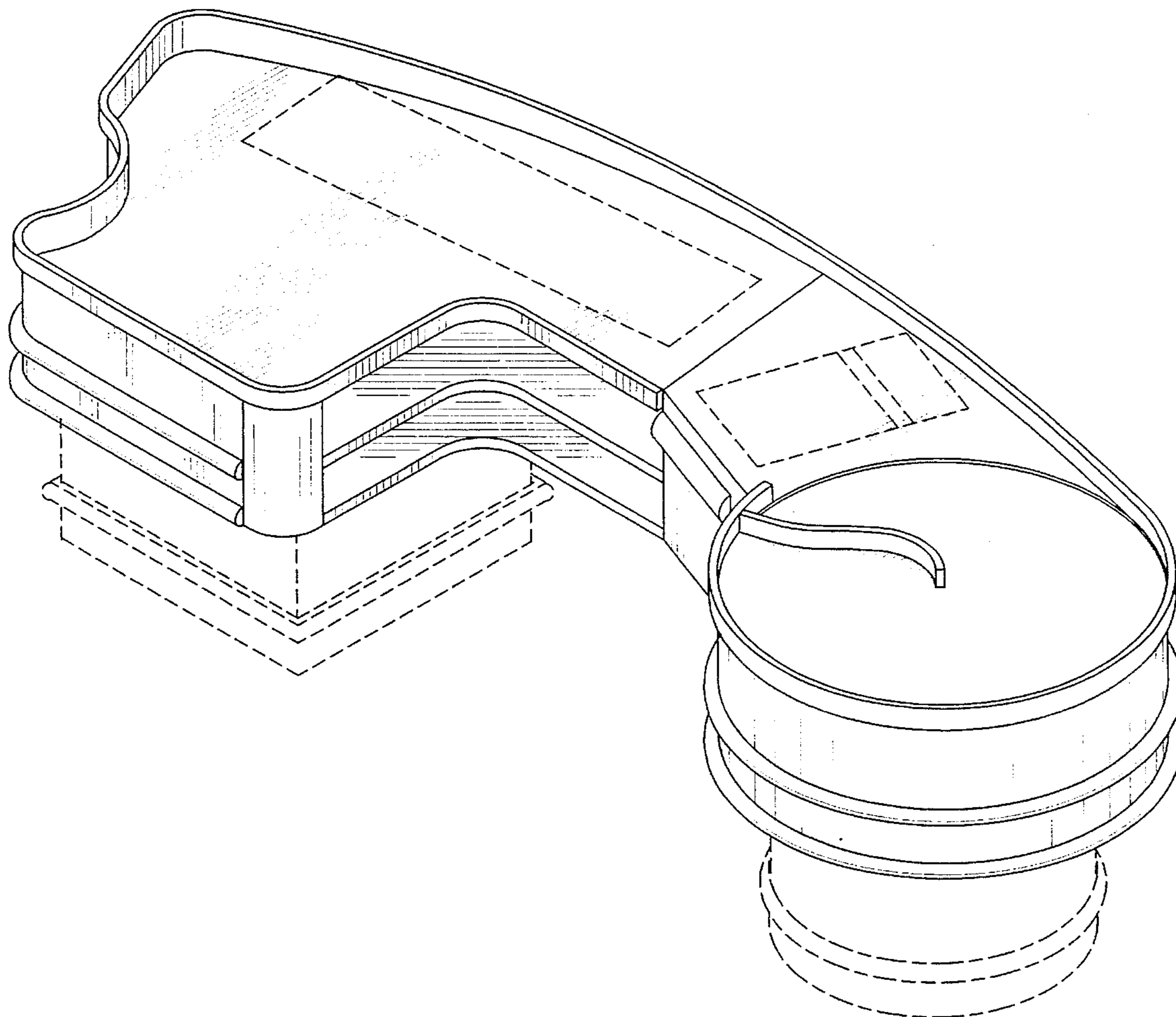


FIG. 1

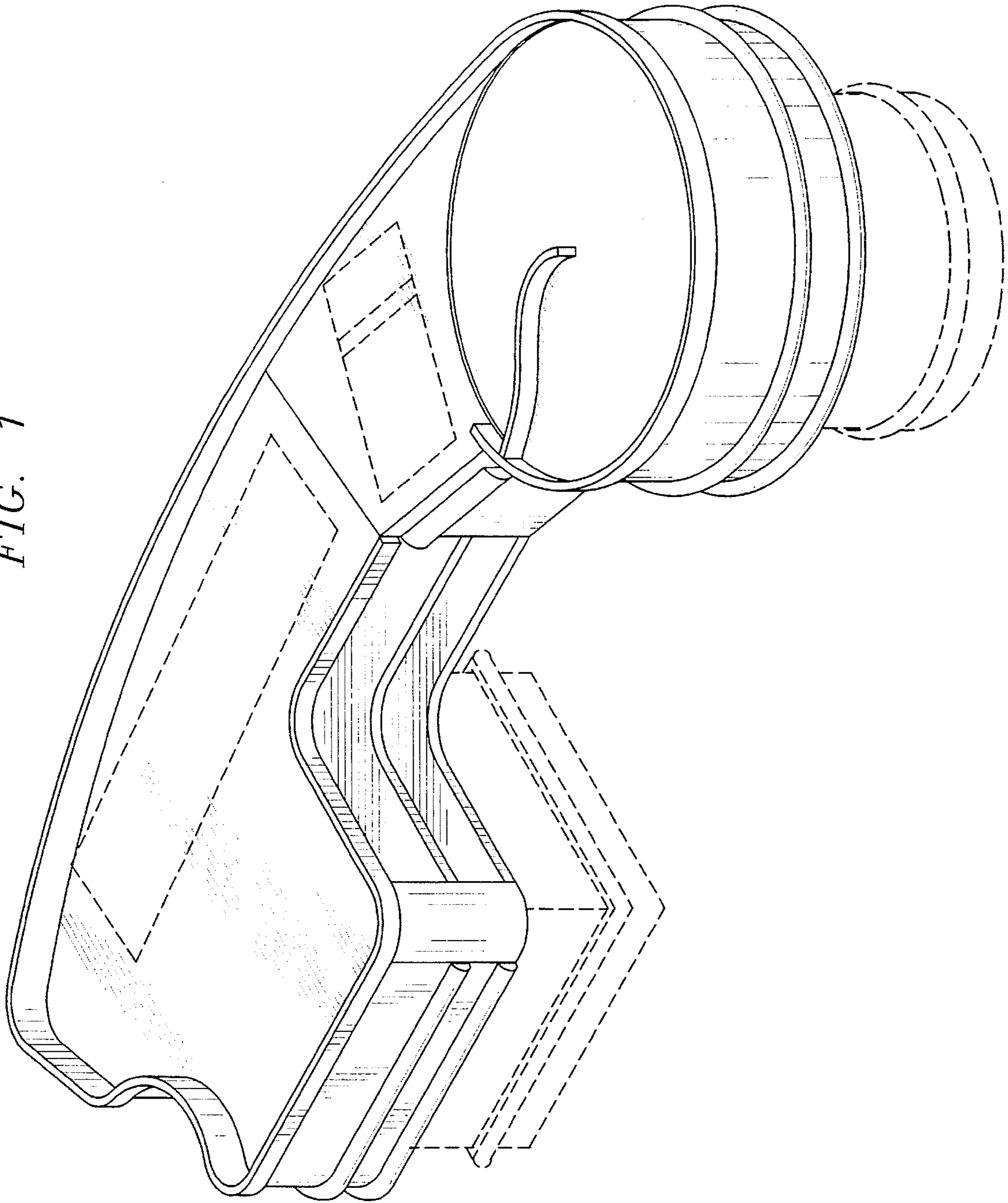


FIG. 2

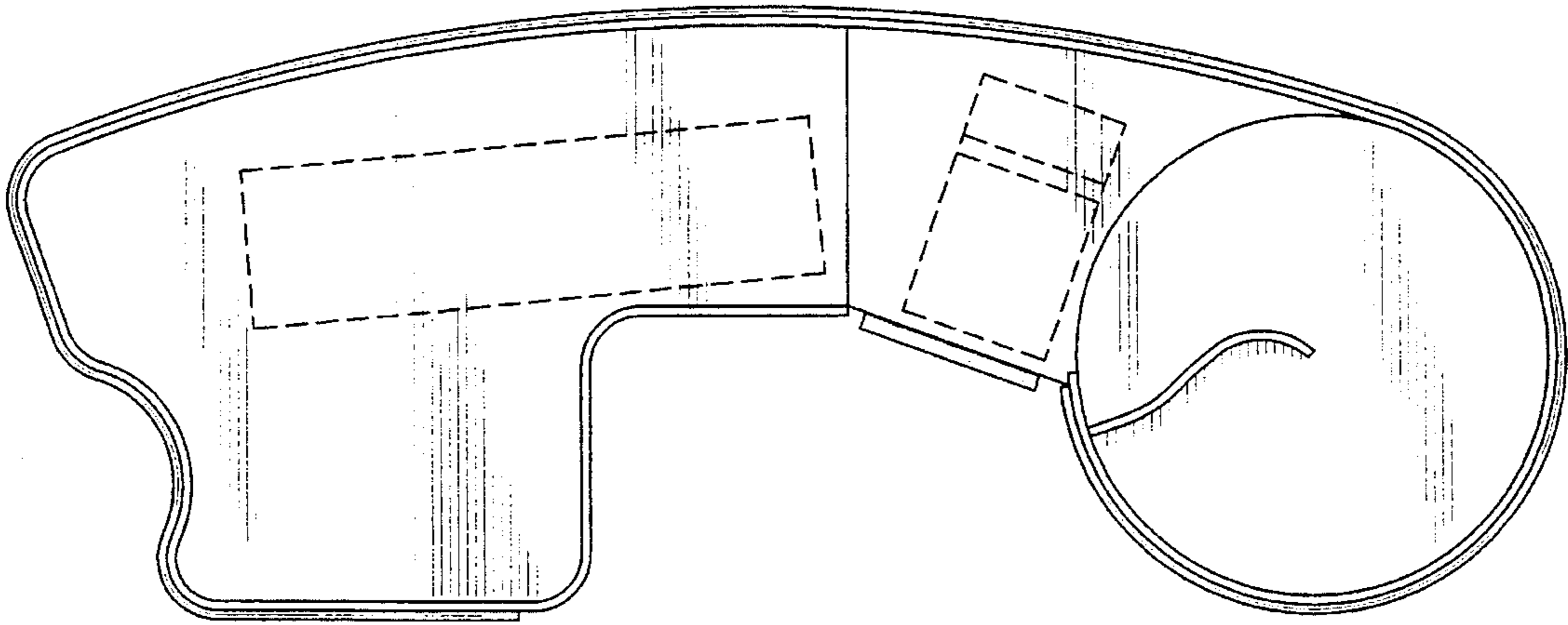


FIG. 3

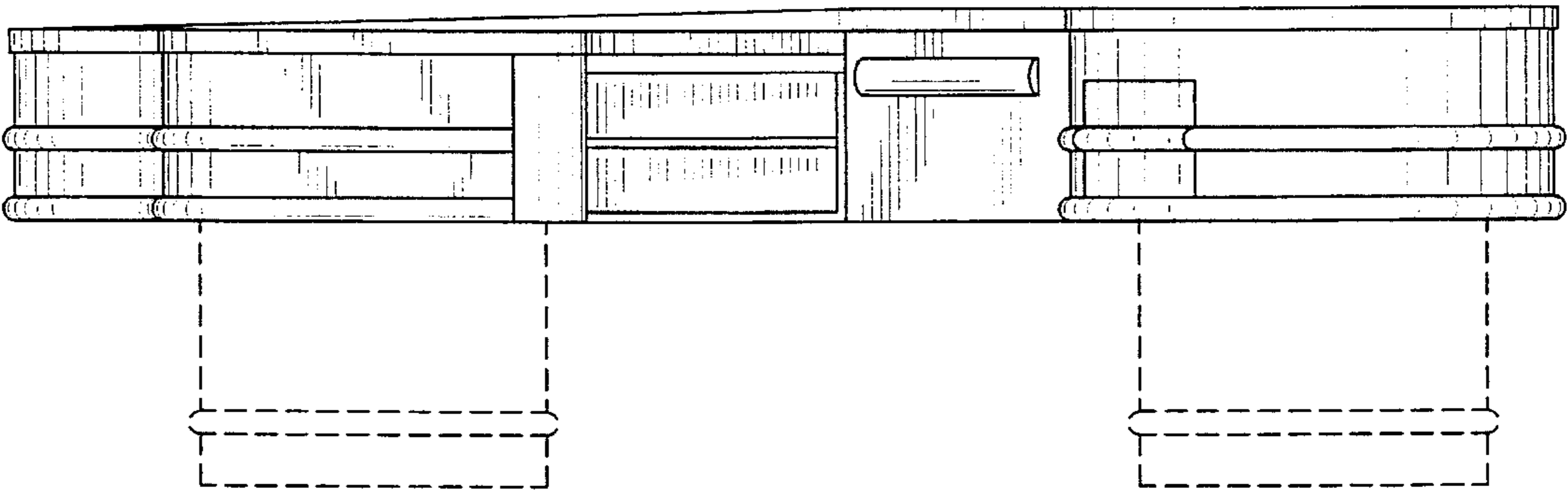


FIG. 4

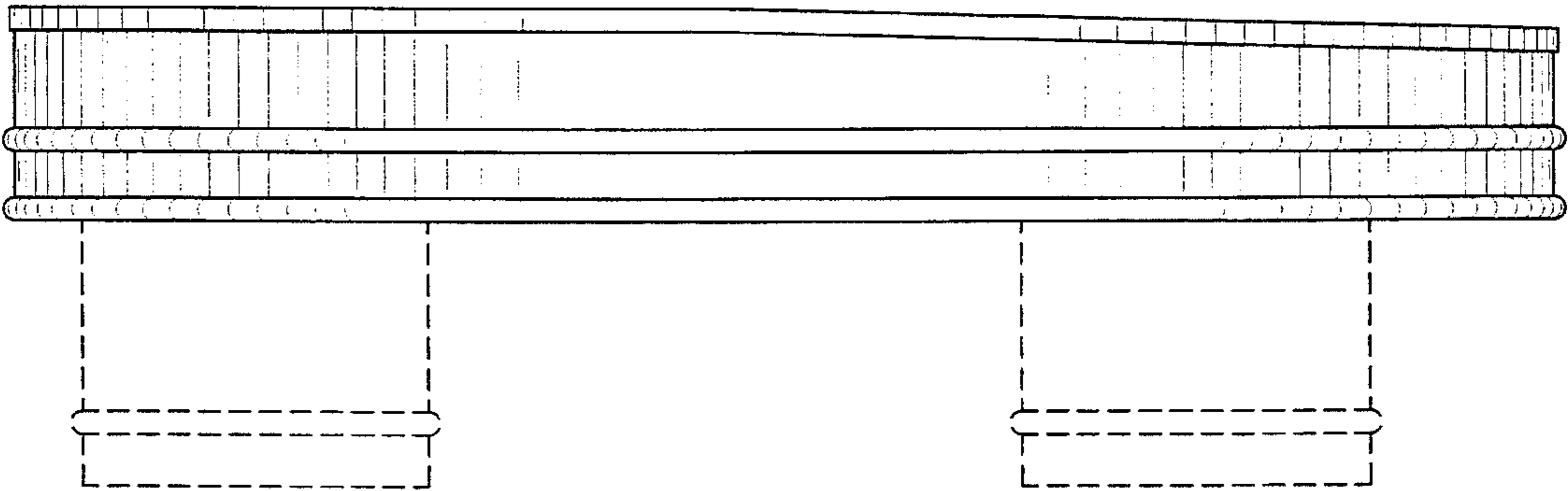


FIG. 5

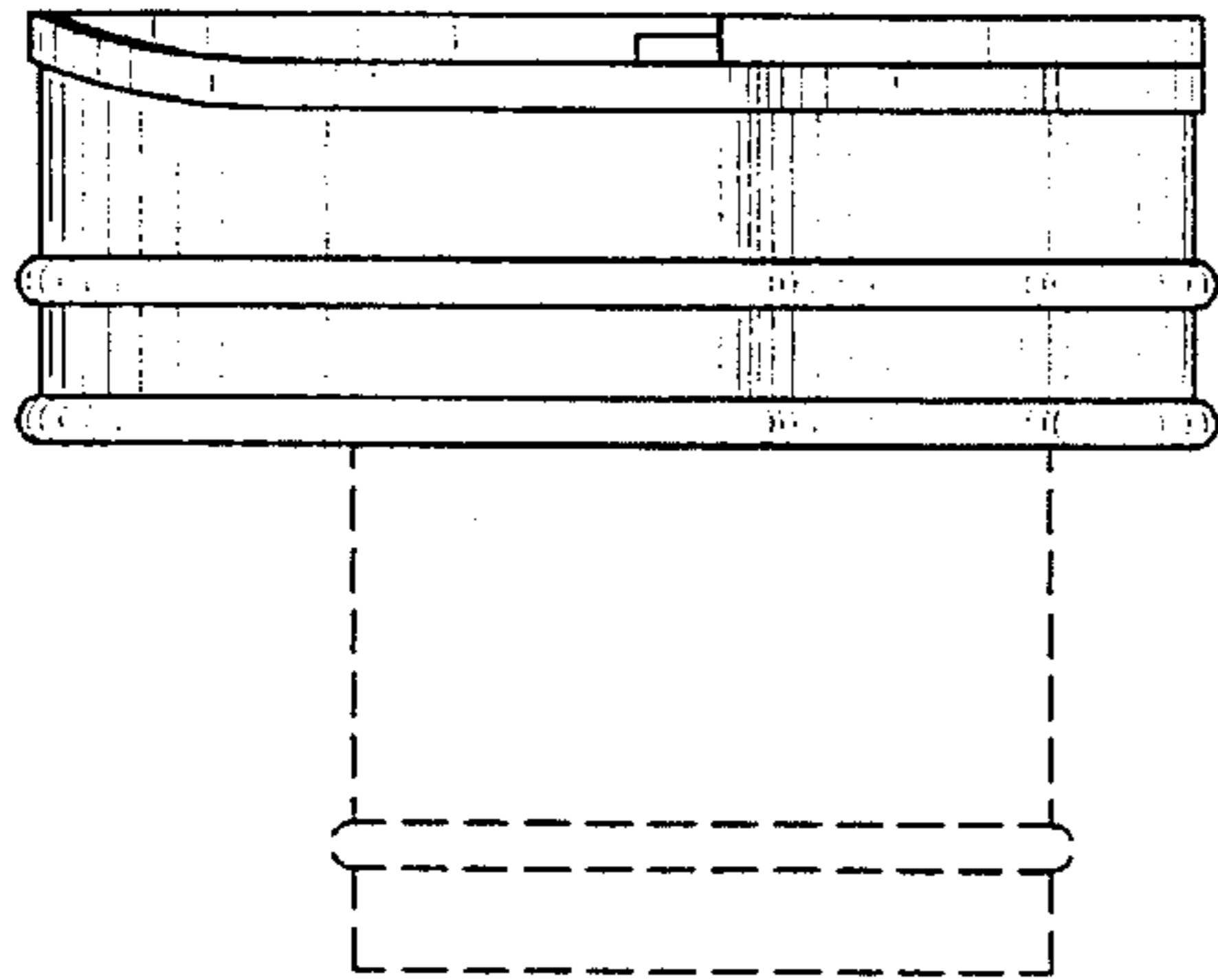


FIG. 6

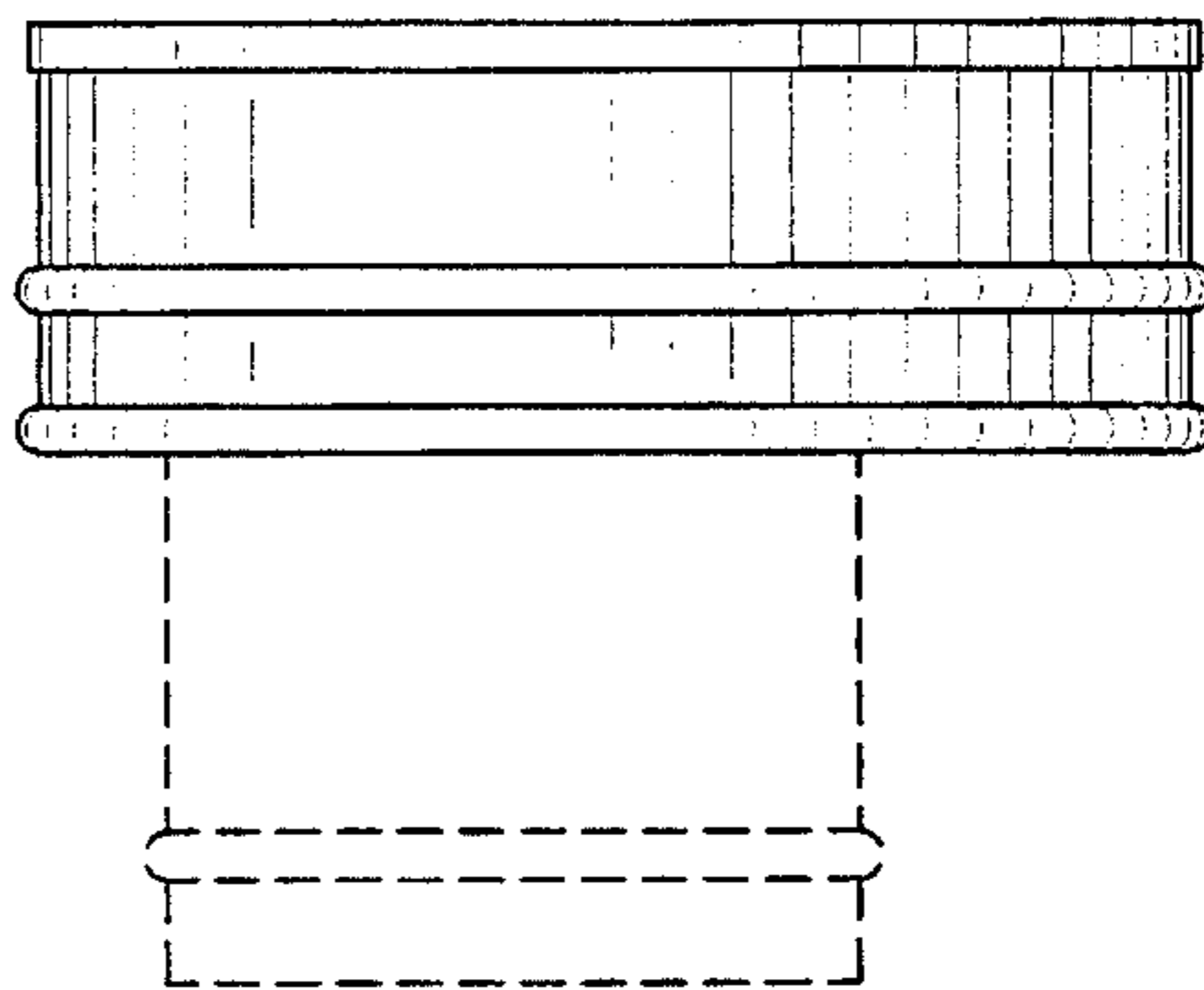


FIG. 7

