



US00D377271S

**United States Patent** [19]  
**Podolski**

[11] **Patent Number: Des. 377,271**

[45] **Date of Patent: \*\*Jan. 14, 1997**

[54] **CHAIR**

[76] **Inventor: Mary Anne Podolski**, 8896 Pere,  
Livonia, Mich. 48150

[\*\*] **Term: 14 Years**

[21] **Appl. No.: 50,375**

[22] **Filed: Feb. 16, 1996**

[52] **U.S. Cl. .... D6/358**

[58] **Field of Search** ..... D6/334, 345, 351,  
D6/352, 358, 371, 374, 376, 379, 500,  
501, 502; 297/181

[56] **References Cited**

**U.S. PATENT DOCUMENTS**

D. 78,737 6/1929 Ekvail ..... D6/374  
D. 179,442 12/1956 Collins ..... D6/374

*Primary Examiner*—Gary D. Watson  
*Attorney, Agent, or Firm*—Weiner, Carrier & Burt, P.C.;  
Pamela S. Burt; Irving M. Weiner

[57] **CLAIM**

The ornamental design for a chair, as shown.

**DESCRIPTION**

FIG. 1 is a front elevational view of the chair of the invention;

FIG. 2 is a right side elevational view of the chair;

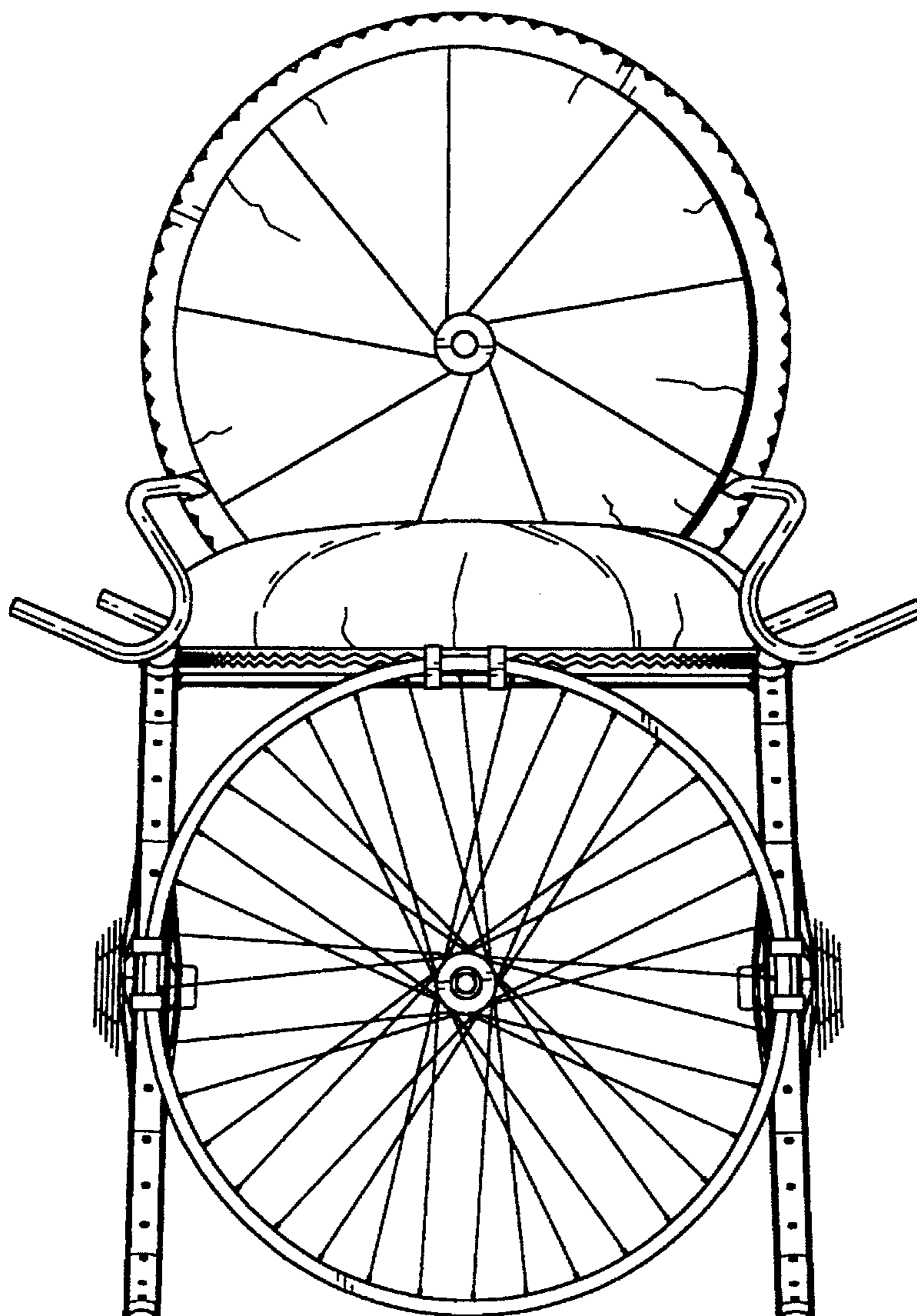
FIG. 3 is a back elevational view of the chair;

FIG. 4 is a left side elevational view of the chair;

FIG. 5 is a top plan view of the chair; and,

FIG. 6 is a bottom plan view of the chair.

**1 Claim, 3 Drawing Sheets**



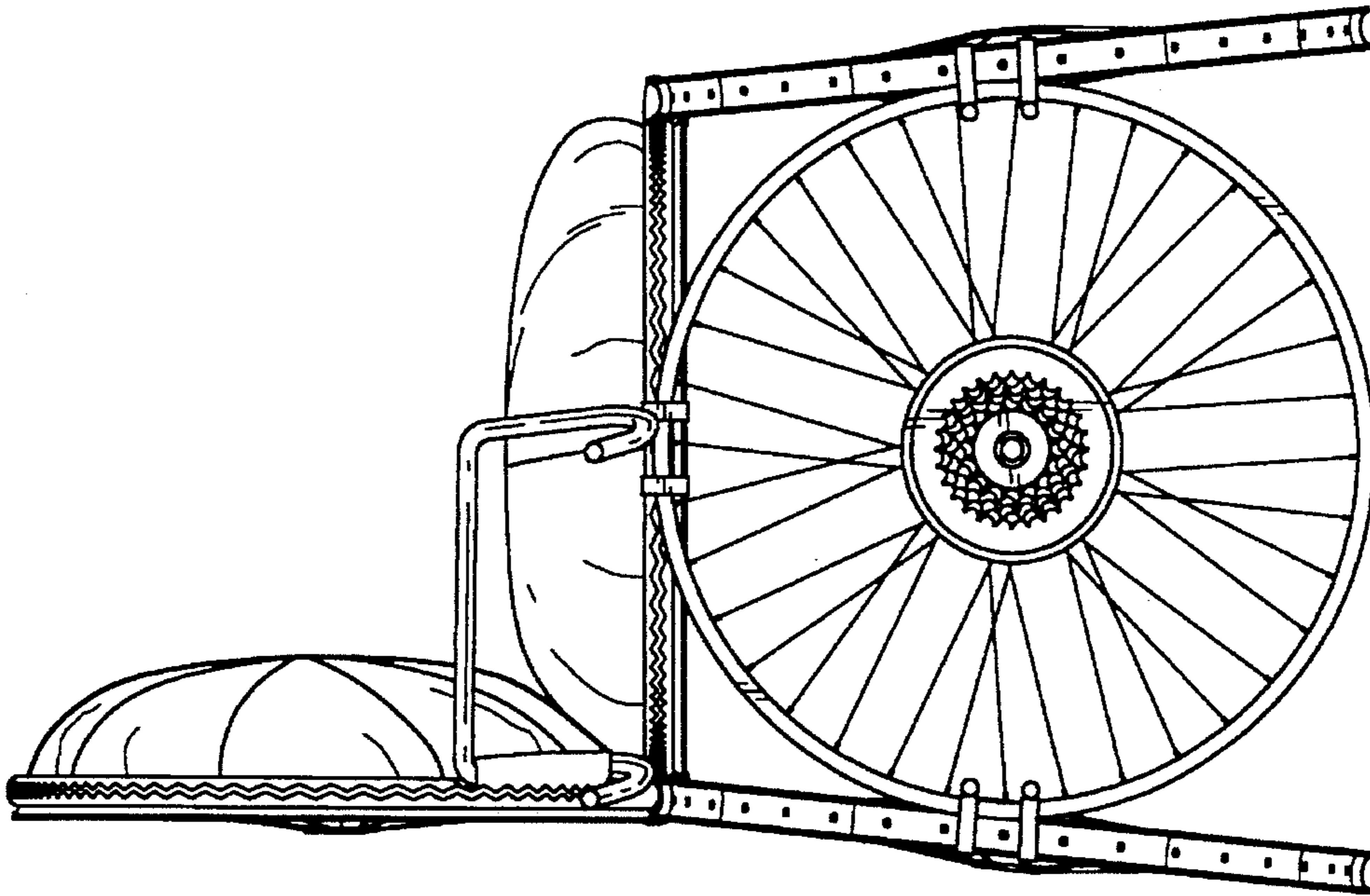


FIG. 2

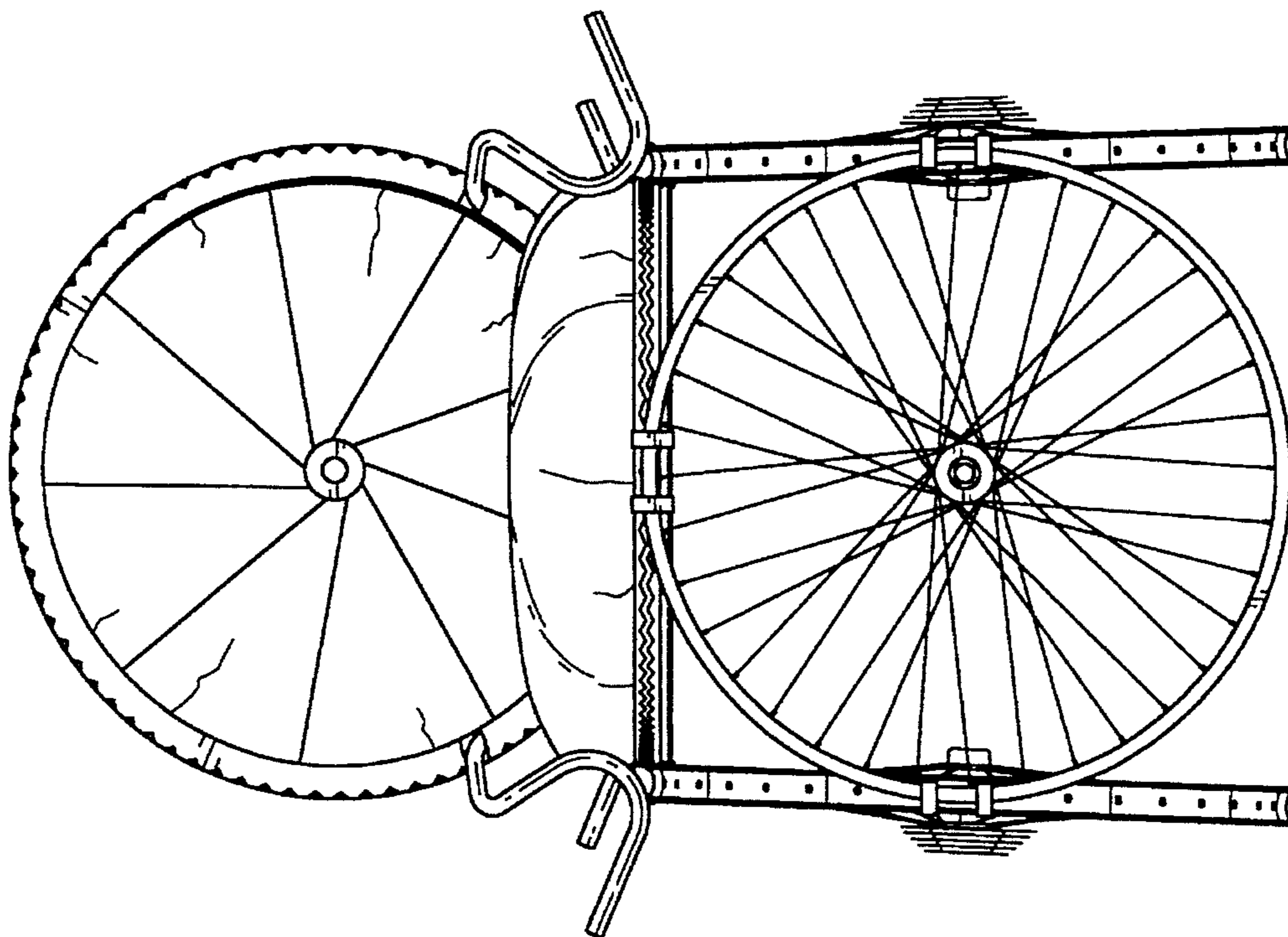


FIG. 1

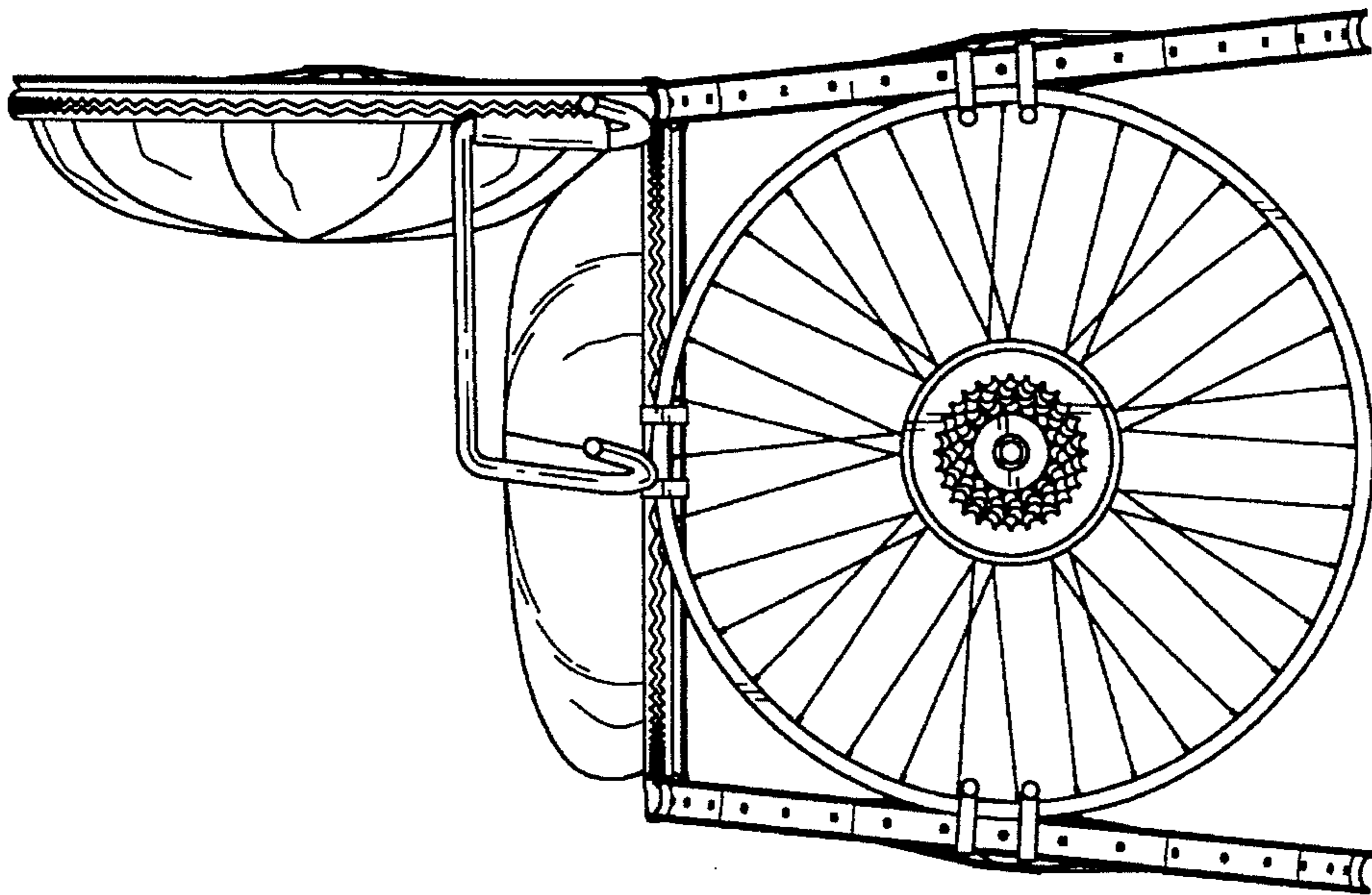


FIG. 4

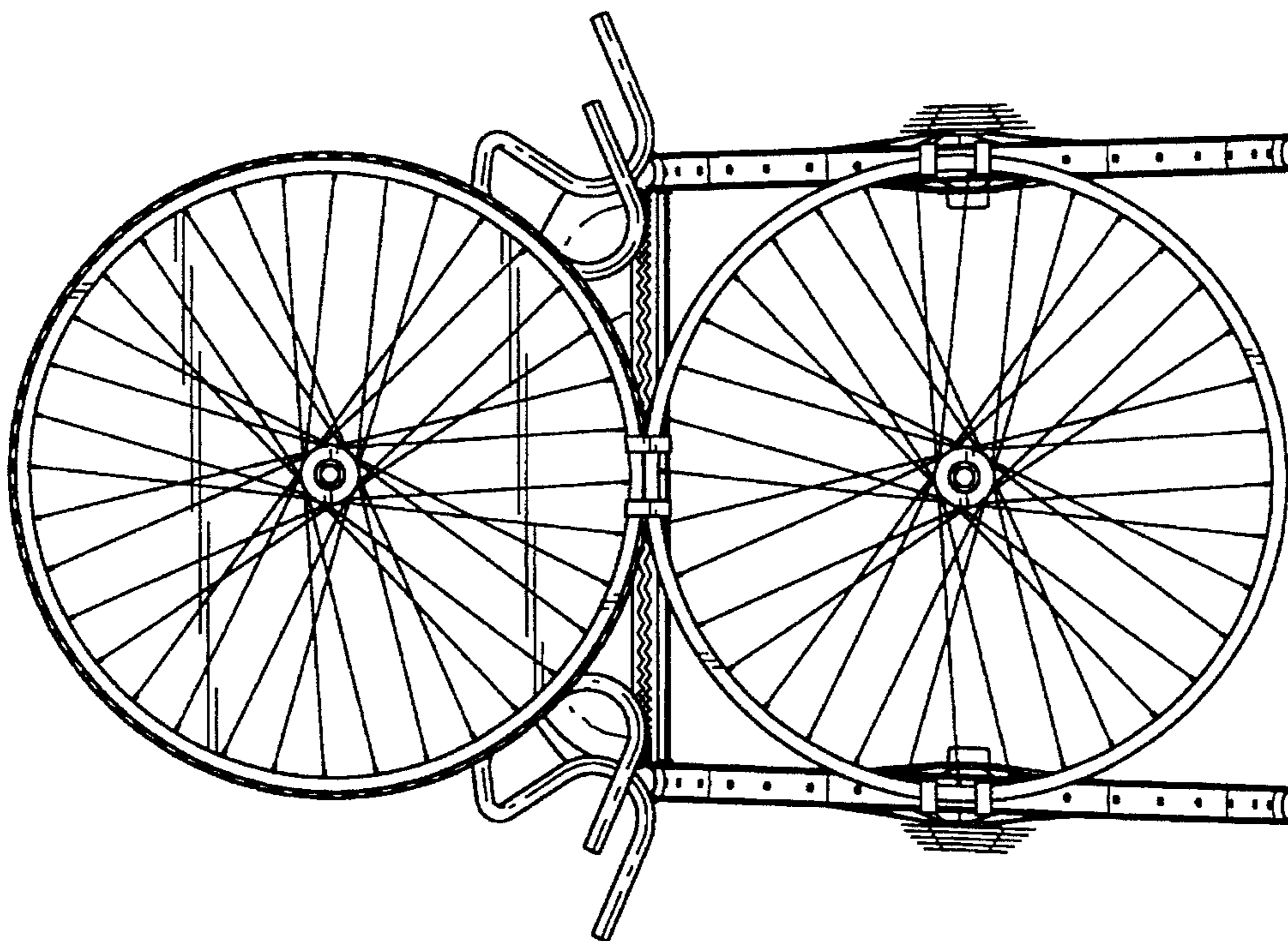


FIG. 3



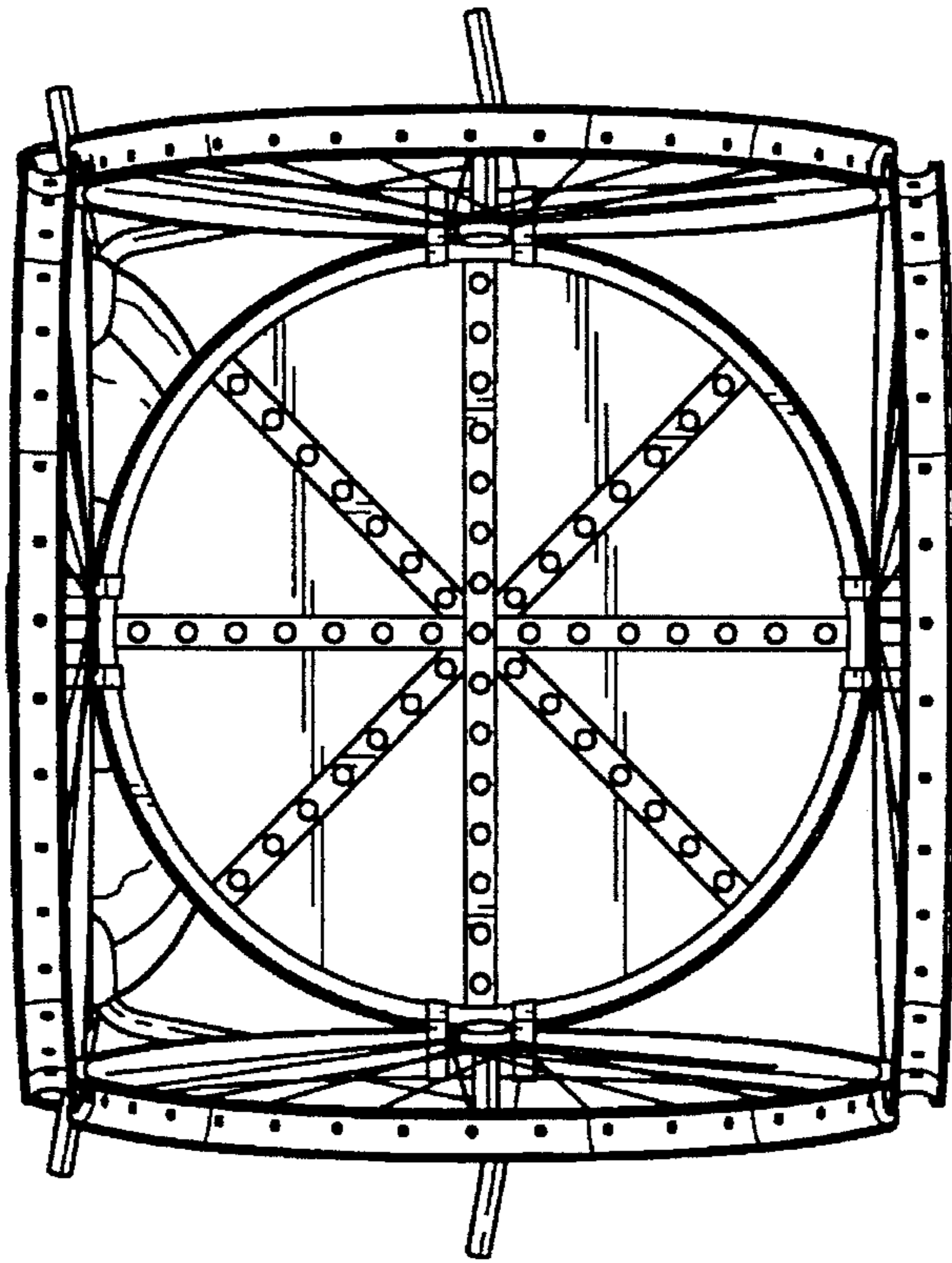


FIG. 6

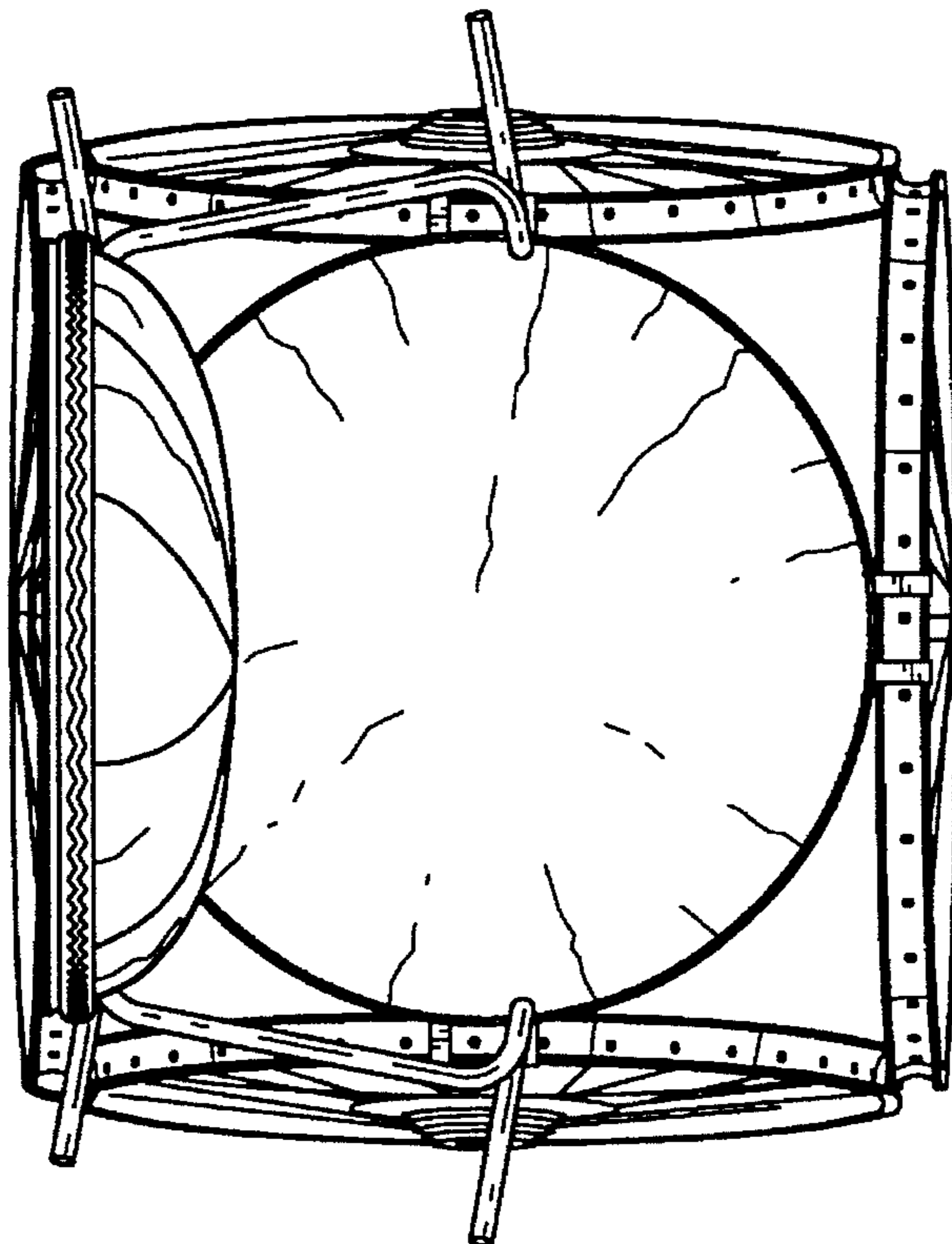


FIG. 5