



US00D377268S

United States Patent [19]

George et al.

[11] Patent Number: **Des. 377,268**

[45] Date of Patent: ****Jan. 14, 1997**

[54] LUGGAGE BAG

[76] Inventors: **Scott George; Dennis Goddard**, both of c/o 30th Floor, 10303 Jasper Ave., Edmonton, Alberta, Canada, T5J 4P4

[**] Term: **14 Years**

[21] Appl. No.: **30,664**

[22] Filed: **Nov. 4, 1994**

[52] U.S. Cl. **D3/287; D3/271; D3/238**

[58] Field of Search **D3/270, 286, 287, D3/289, 279, 278, 238; 190/110, 103, 100, 104, 109, 114, 115, 102, 107; 206/315.1; 1/234**

D. 314,276	2/1991	Nordstrom	D3/287
D. 317,081	5/1991	King	D3/287
D. 323,429	1/1992	Wilson	D3/287
D. 325,128	4/1992	Cyr et al.	D3/287
D. 327,575	7/1992	Nordstrom	D3/279
D. 329,329	9/1992	Bomes et al.	D3/279

Primary Examiner—Philip S. Hyder
Attorney, Agent, or Firm—Bauer & Schaffer

[57] CLAIM

The ornamental design for a luggage bag, as shown and described.

DESCRIPTION

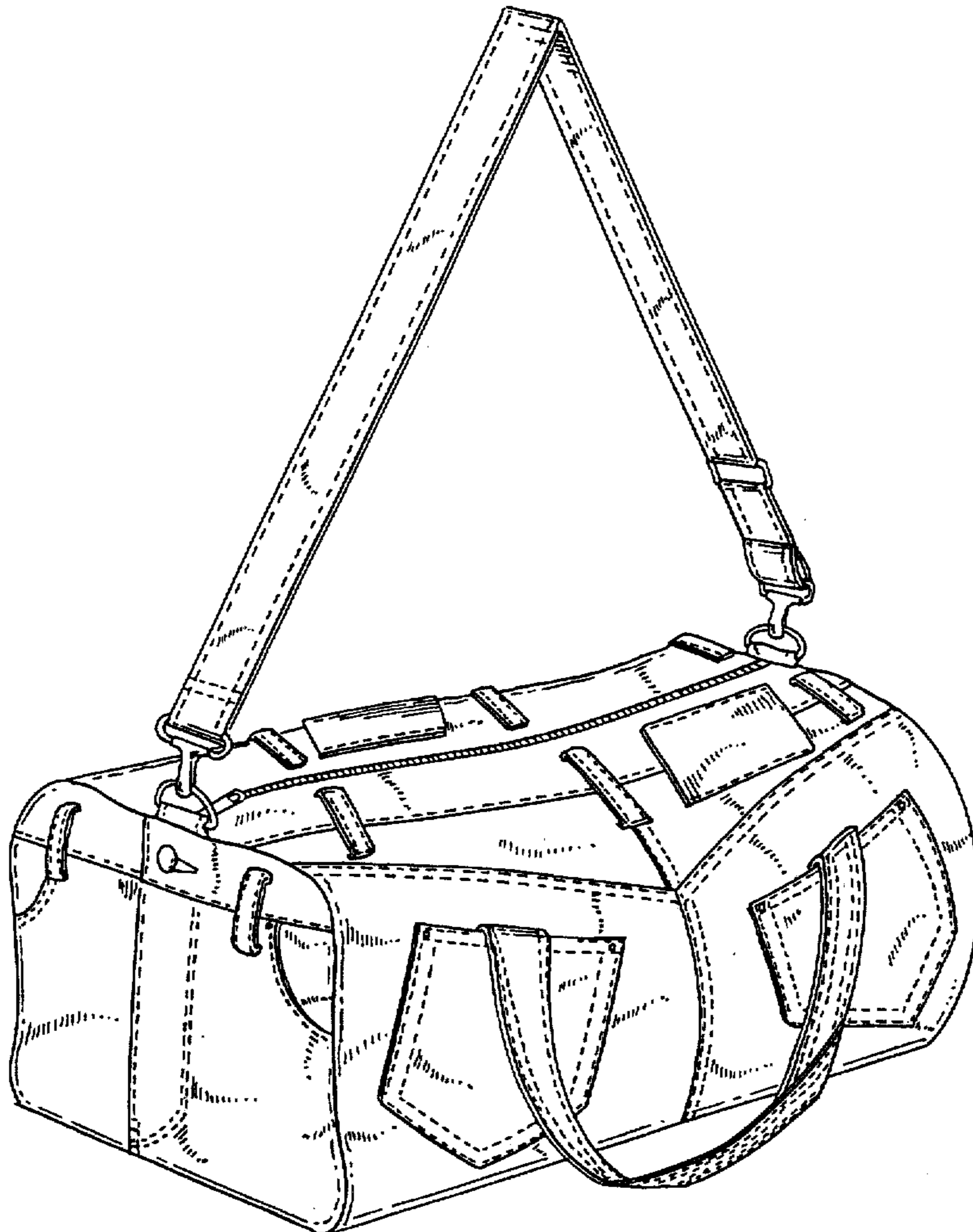
FIG. 1 is a perspective view of the luggage bag according to the present design;
FIG. 2 is a front elevational view; the rear elevational view being identical thereto;
FIG. 3 is a top plan view;
FIG. 4 is a bottom plan view; and,
FIG. 5 is a side elevational view; the opposite side being identical thereto.

1 Claim, 4 Drawing Sheets

[56] References Cited

U.S. PATENT DOCUMENTS

D. 256,966	9/1980	Iszler	D3/287
D. 258,471	3/1981	Workman	D3/286
D. 264,523	5/1982	Stark	D3/287
D. 280,865	10/1985	Bomes et al.	D3/287
D. 280,866	10/1985	Bomes et al.	D3/287



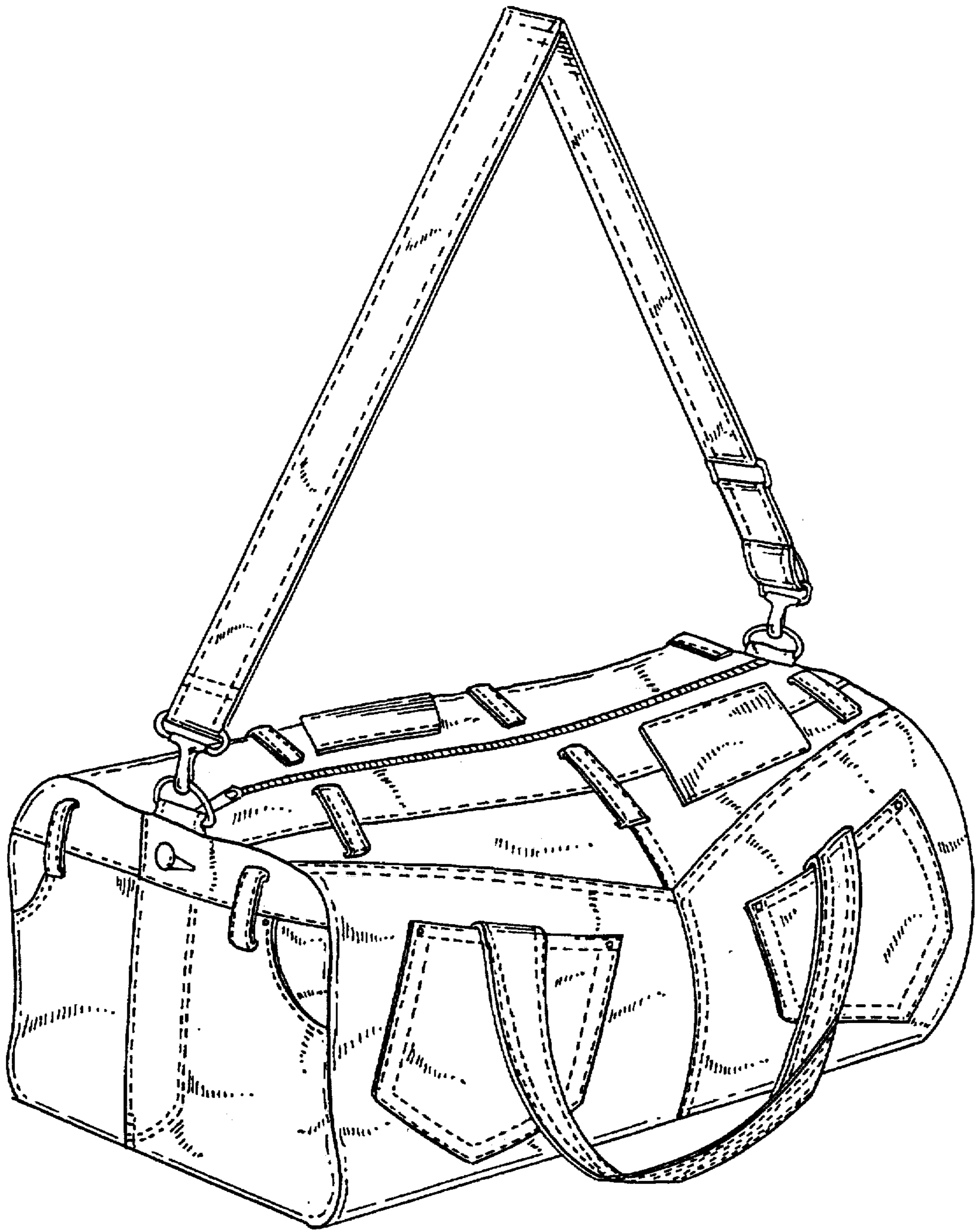


Fig. 1

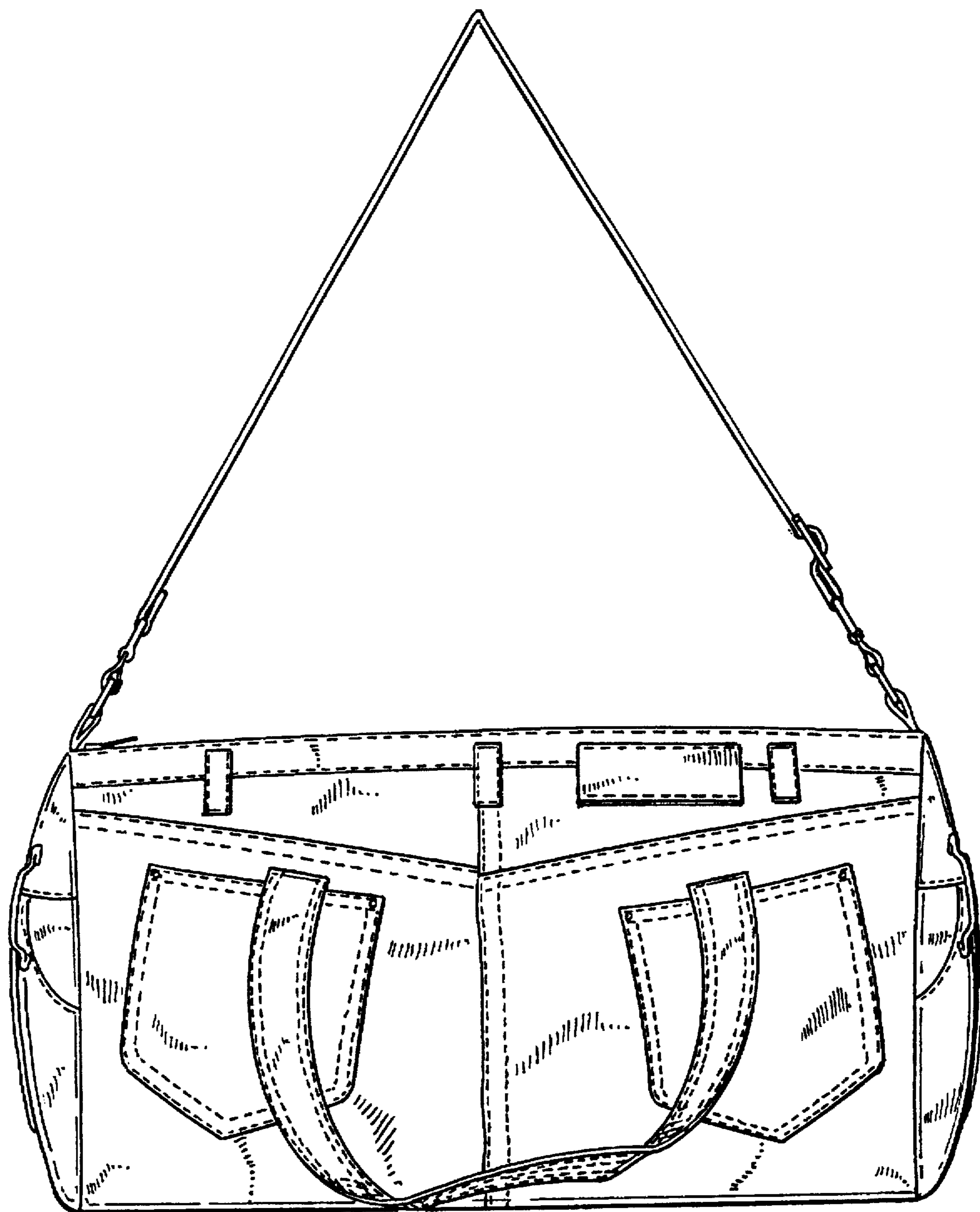


Fig. 2

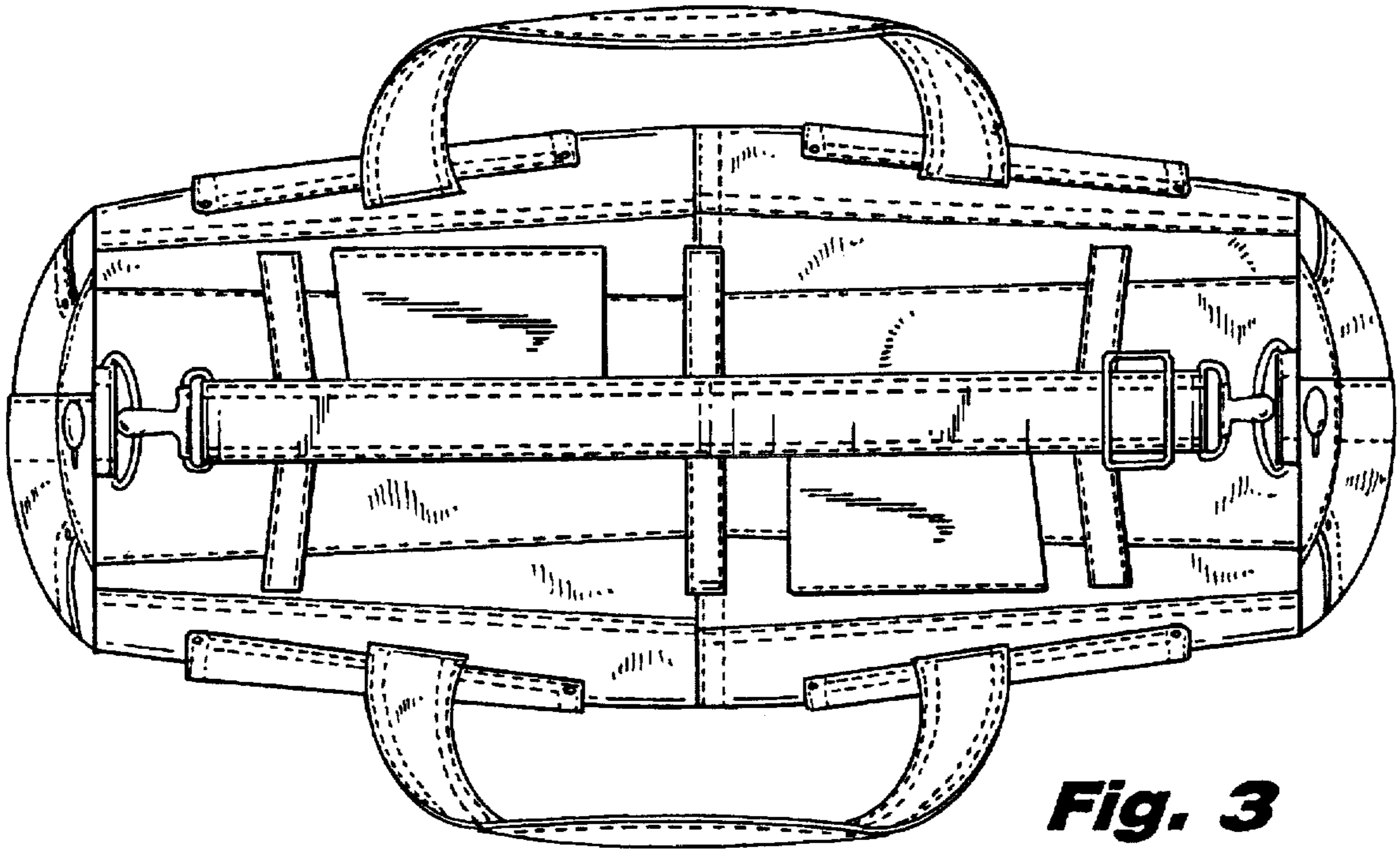


Fig. 3

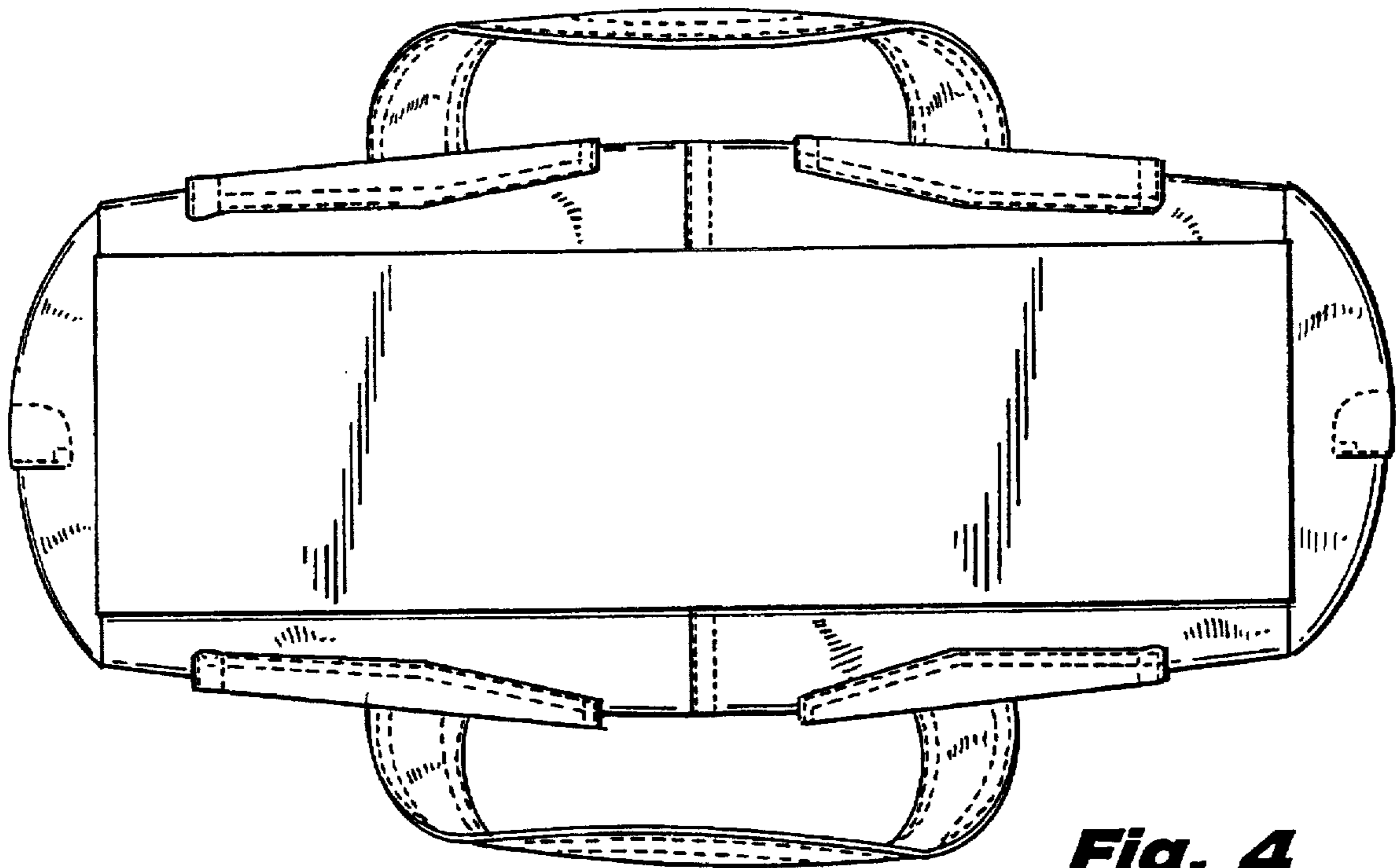


Fig. 4

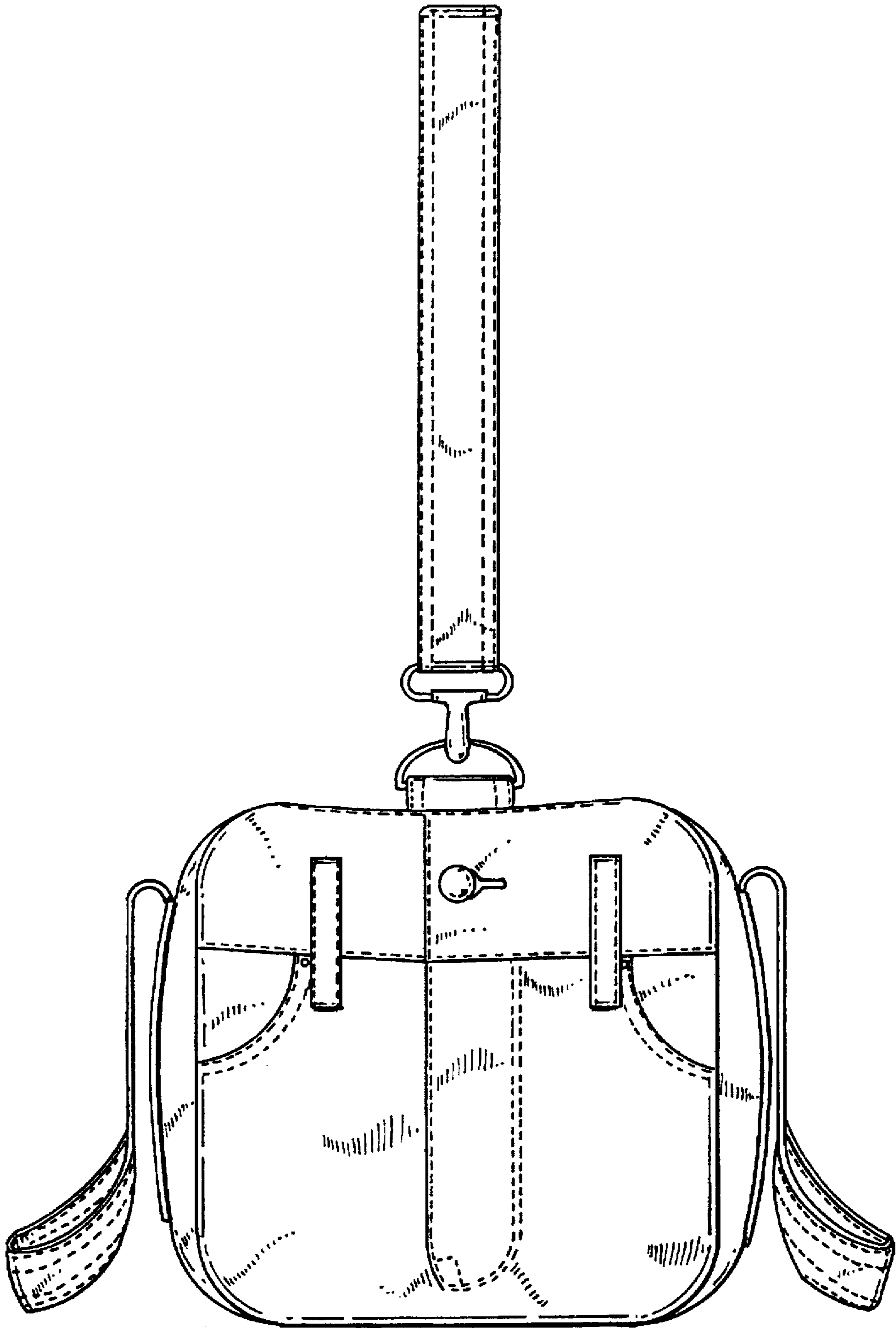


Fig. 5