



US00D377256S

United States Patent [19]

Parrish, Jr.

[11] Patent Number: **Des. 377,256**

[45] Date of Patent: ****Jan. 7, 1997**

[54] MAIL BOX FOR USE IN SNOW

5,060,908 10/1991 Sofy 232/17
5,082,231 1/1992 Knowles 248/530

[76] Inventor: **James M. Parrish, Jr.**, 607 Mountain Blvd., Mountain Top, Pa. 18707-9601

Primary Examiner—B. J. Bullock
Assistant Examiner—Robert M. Spear.
Attorney, Agent, or Firm—Dennis H. Lambert

[**] Term: **14 Years**

[21] Appl. No.: **35,332**

[57] **CLAIM**

[22] Filed: **Feb. 24, 1995**

The ornamental design for a mail box for use in snow, as shown and described.

[52] U.S. Cl. **D99/32**

[58] Field of Search D99/29, 31, 32,
D99/39, 43; 232/17, 19, 34, 35, 37, 39;
248/530, 533, 900

DESCRIPTION

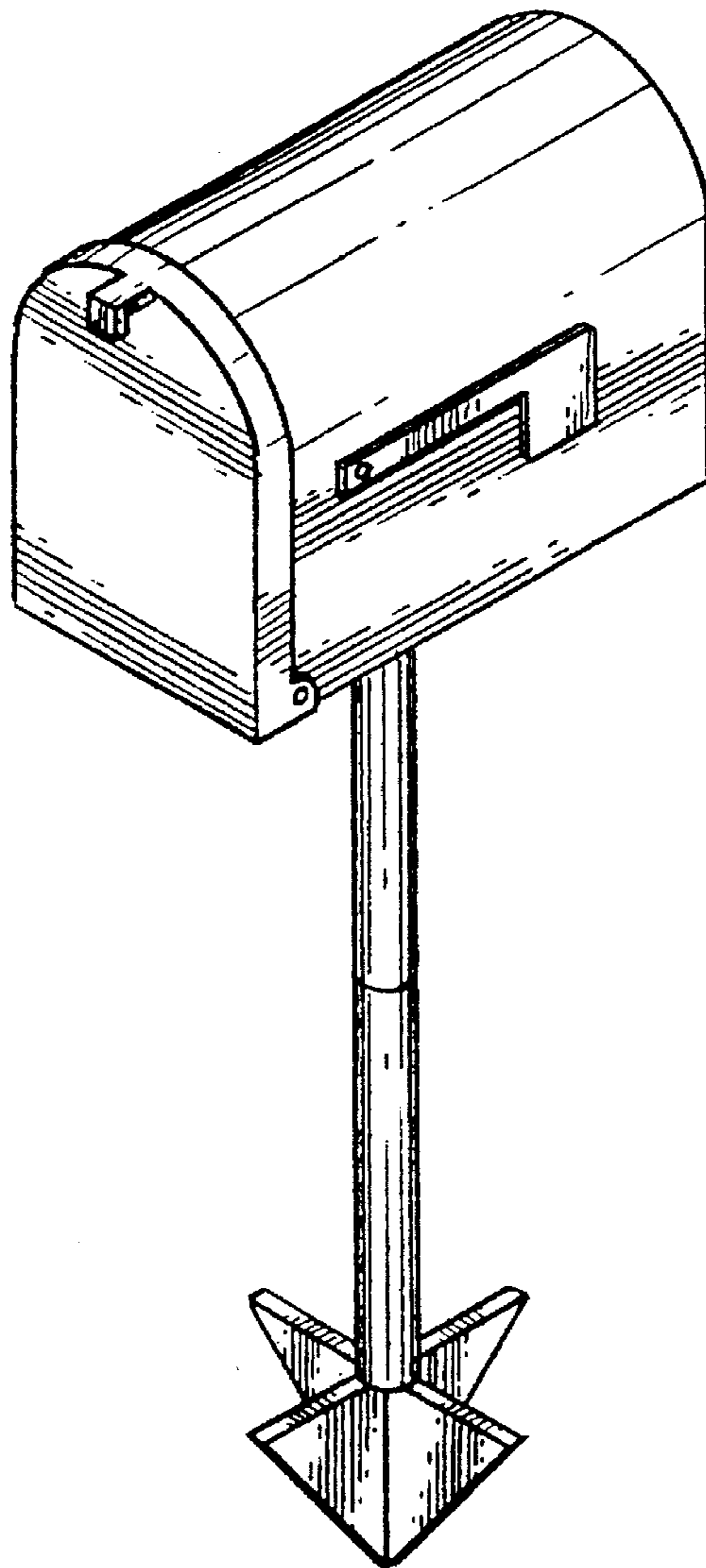
[56] **References Cited**

U.S. PATENT DOCUMENTS

- D. 175,374 8/1955 Stroud 248/533
- D. 272,578 2/1984 Solyst .
- D. 328,813 8/1992 Hagstrom .
- D. 335,750 5/1993 Berardi .
- 4,850,565 7/1989 Moreno 248/900

FIG. 1 is a front, top and side perspective view of the mail box for use in snow showing my new design;
FIG. 2 is a front elevational view thereof;
FIG. 3 is a rear elevational view thereof;
FIG. 4 is a right side elevational view thereof;
FIG. 5 is a top plan view thereof;
FIG. 6 is a bottom plan view thereof; and,
FIG. 7 is a left side elevational view thereof.

1 Claim, 3 Drawing Sheets



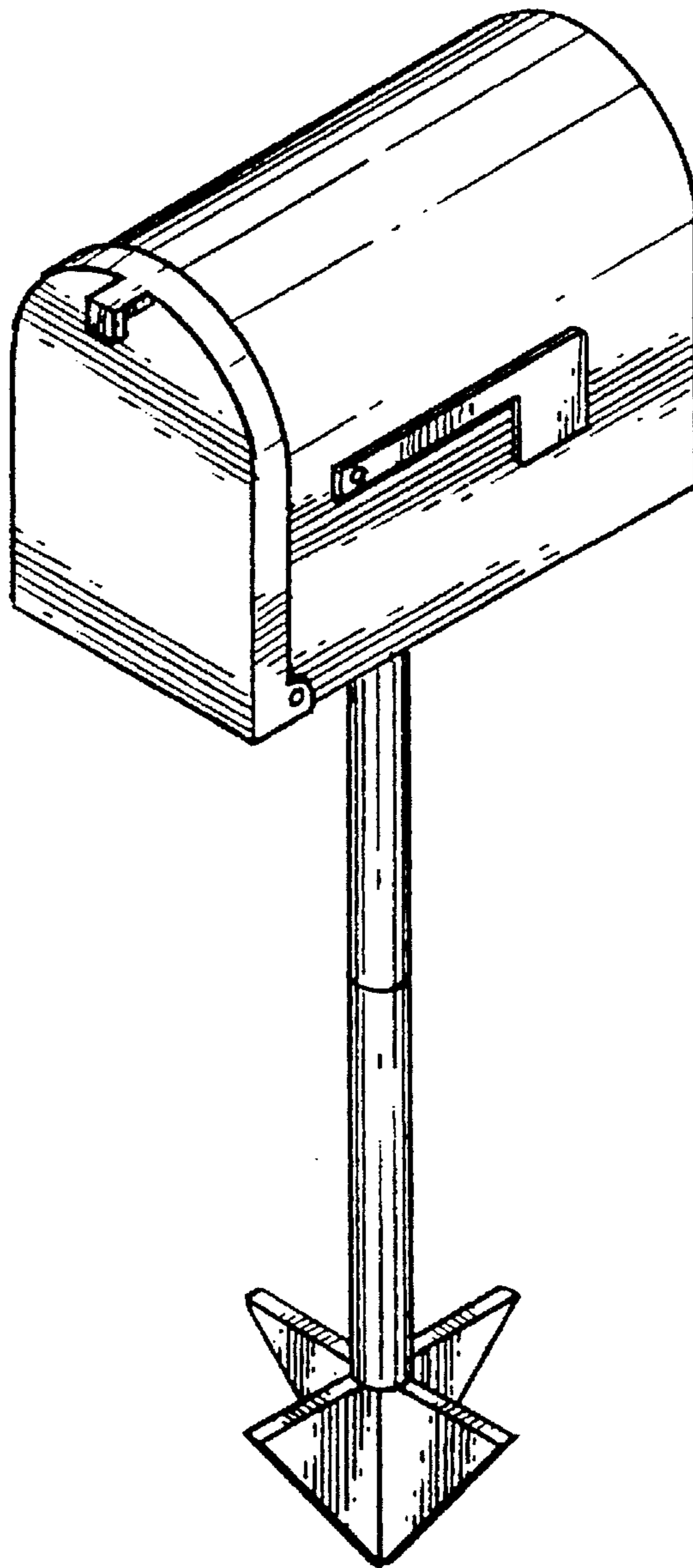


FIG. 1

FIG. 2

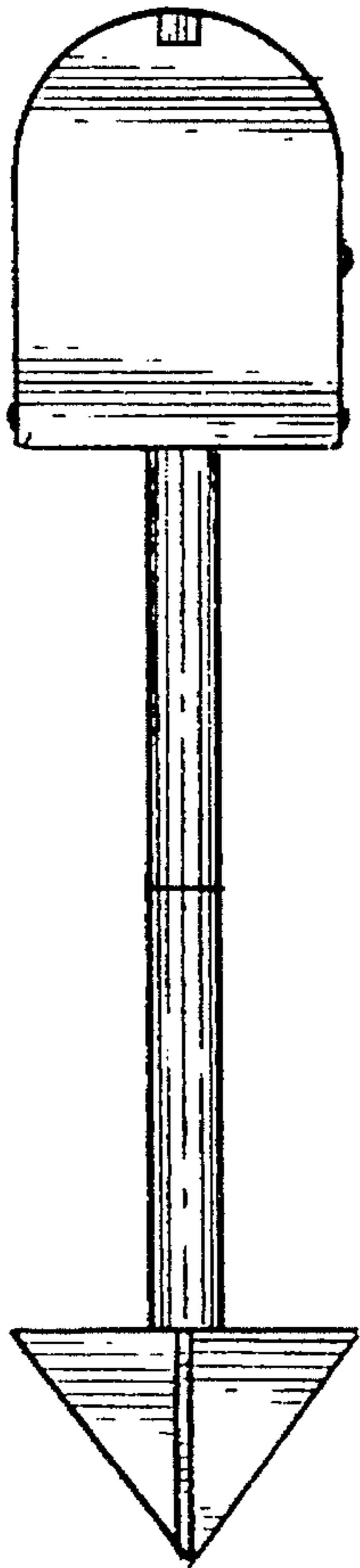


FIG. 3

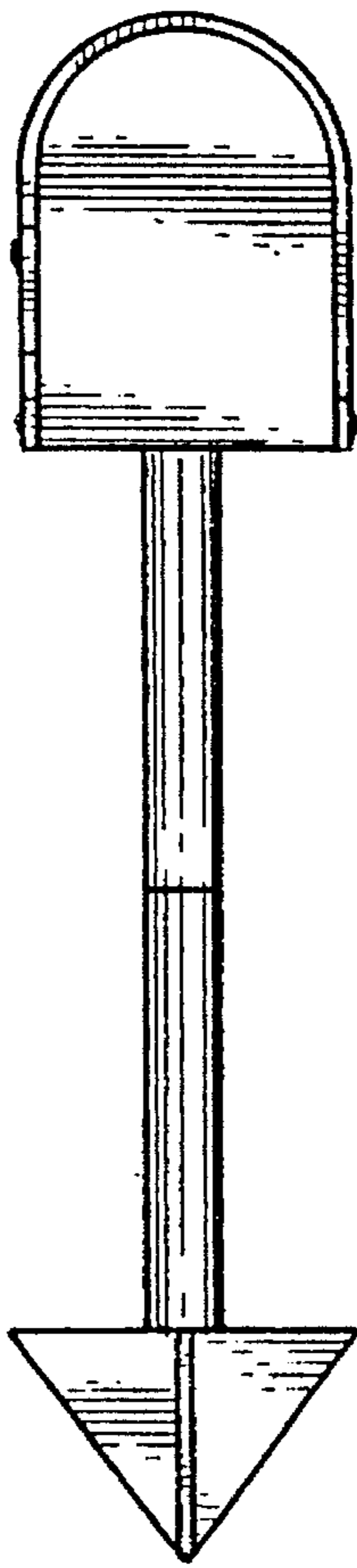


FIG. 4

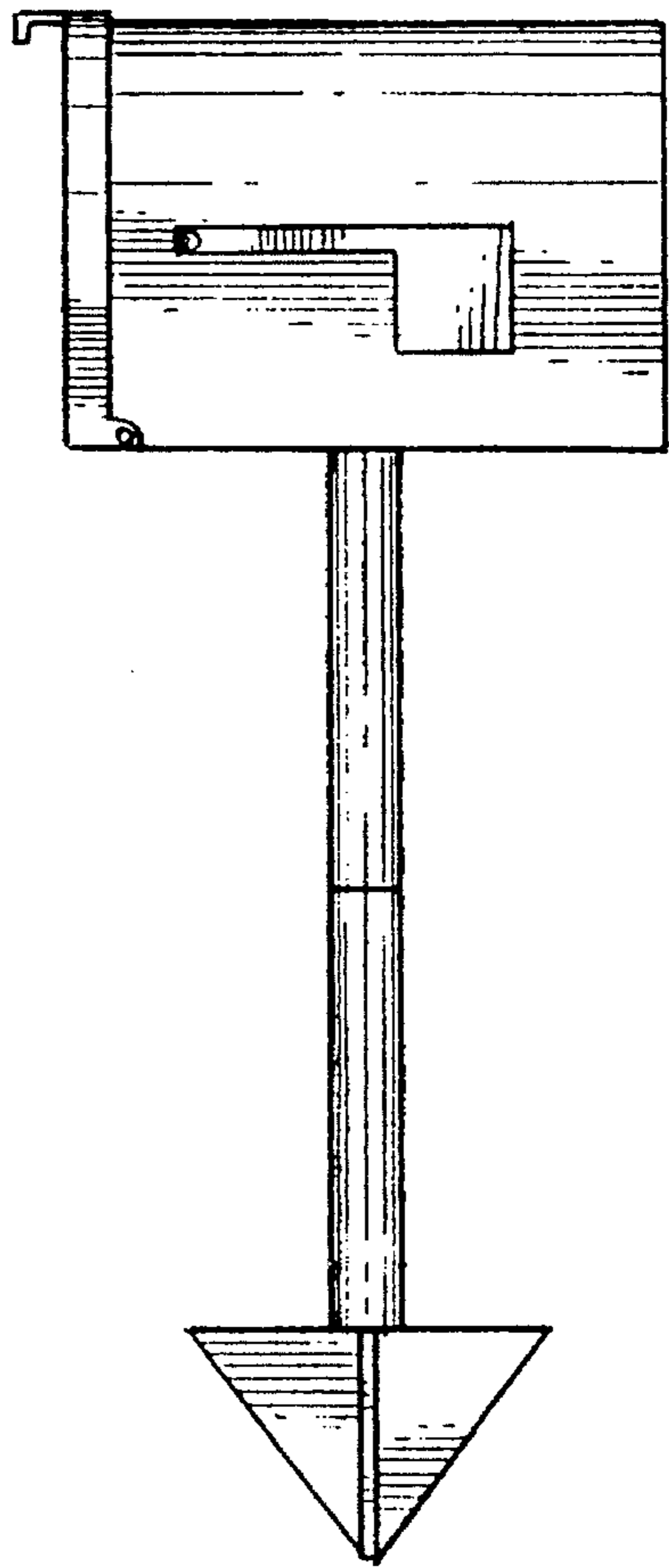


FIG. 5

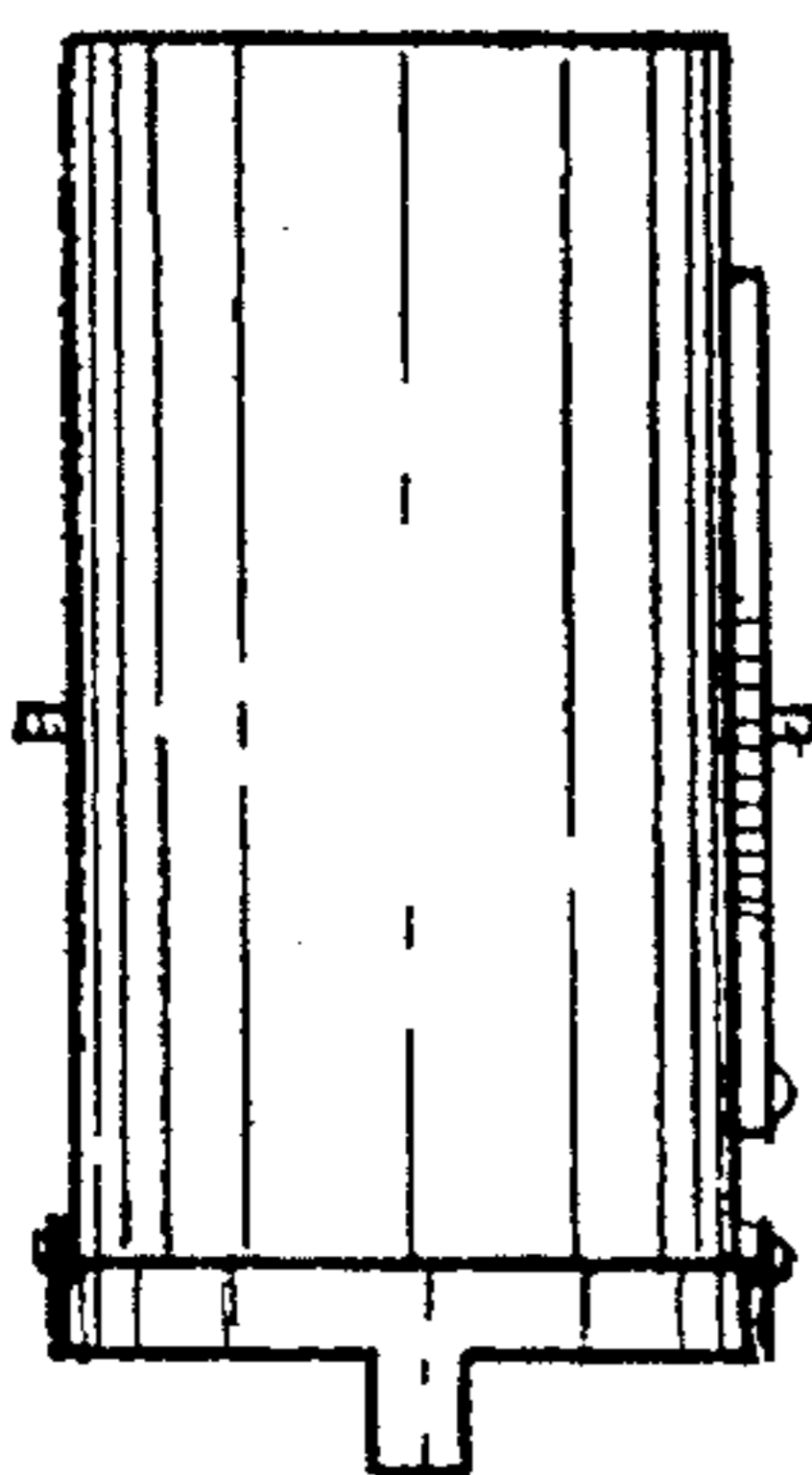


FIG. 6

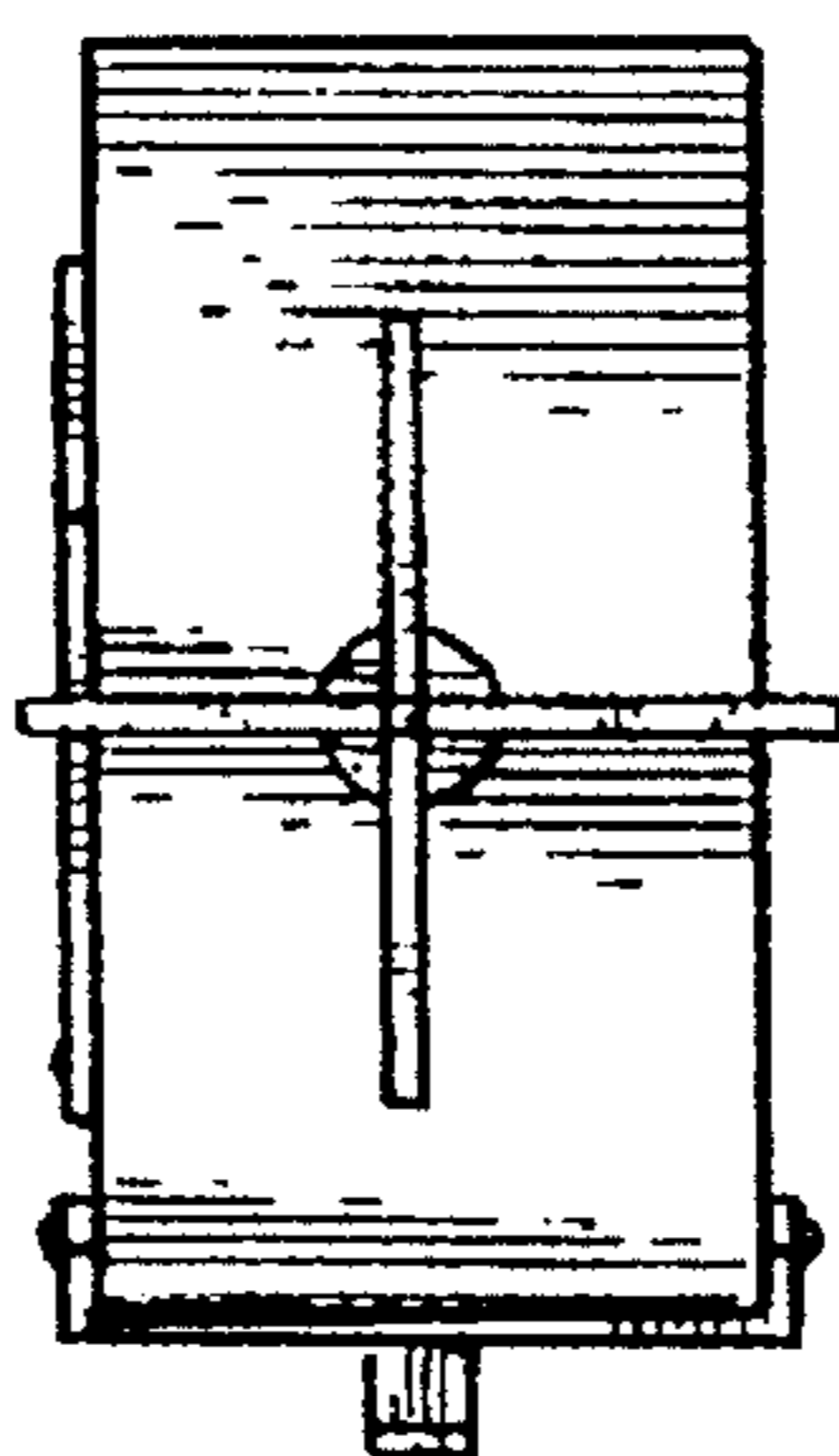


FIG. 7

