



US00D377253S

United States Patent [19]

Presnell

[11] Patent Number: **Des. 377,253**

[45] Date of Patent: ****Jan. 7, 1997**

[54] **REFUSE CONTAINER LID**

[75] Inventor: **Donald C. Presnell**, Stephens City, Va.

[73] Assignee: **Rubbermaid Commercial Products Inc.**, Winchester, Va.

[**] Term: **14 Years**

D. 327,349 6/1992 Juergens D34/11
 D. 327,756 7/1992 Klein et al. D34/1
 D. 328,170 7/1992 Juergens D34/11
 D. 329,930 9/1992 Delmerico et al. D34/7
 D. 331,134 11/1992 Hradisky D34/11
 D. 332,852 1/1993 Delmerico D34/9
 D. 333,716 3/1993 Bird et al. D34/8

(List continued on next page.)

[21] Appl. No.: **43,112**

[22] Filed: **Aug. 25, 1995**

[52] U.S. Cl. **D34/11**

[58] Field of Search D34/10, 11; D9/434-5, D9/443; 220/343, 334, 335, 404, 340

OTHER PUBLICATIONS

Sell sheet, Refuse container lids; Sterile Corporation, P.O. Box 524, Townsend, Massachusetts 01469. Publication date 1992.

(List continued on next page.)

[56] References Cited

U.S. PATENT DOCUMENTS

D. 195,151 4/1963 Marsh D34/11
 D. 218,359 8/1970 Marsh D49/35
 D. 233,127 10/1974 Karn D7/194
 D. 246,566 12/1977 Skiver D7/194
 D. 247,087 1/1978 Dickinson D7/194
 D. 253,932 1/1980 Mockler D7/194
 D. 261,720 11/1981 Brazis D34/9
 D. 271,248 11/1983 Maza et al. D34/8
 D. 276,753 12/1984 Maza et al. D34/11
 D. 277,898 3/1985 Paul et al. D34/11
 D. 280,459 9/1985 McClelland D34/8
 D. 280,857 10/1985 Fuller et al. D34/11
 D. 281,111 10/1985 McClelland D34/8
 D. 292,638 11/1987 Carville D34/5
 D. 297,875 9/1988 Carville D34/11
 D. 308,273 5/1990 Hanna D34/11
 D. 311,620 10/1990 Rose D34/11
 D. 312,161 11/1990 Toscano D34/11
 D. 312,523 11/1990 Delmerico et al. D34/7
 D. 315,626 3/1991 Delmerico et al. D34/5
 D. 318,354 7/1991 Delmerico D34/7
 D. 319,128 8/1991 Delmerico et al. D34/11
 D. 321,576 11/1991 Hradisky D34/8
 D. 322,350 12/1991 Craft et al. D34/9
 D. 323,912 2/1992 Delmerico D34/5
 D. 323,914 2/1992 Doxey et al. D34/5
 D. 324,595 3/1992 Beese et al. D34/5
 D. 326,342 5/1992 Doxey et al. D34/7
 D. 326,343 5/1992 Hradisky D34/7
 D. 326,754 6/1992 Hradisky D34/7

Primary Examiner—A. Hugo Word
Assistant Examiner—Robin V. Taylor
Attorney, Agent, or Firm—Richard B. O'Planick; Lisa B. Riedesel

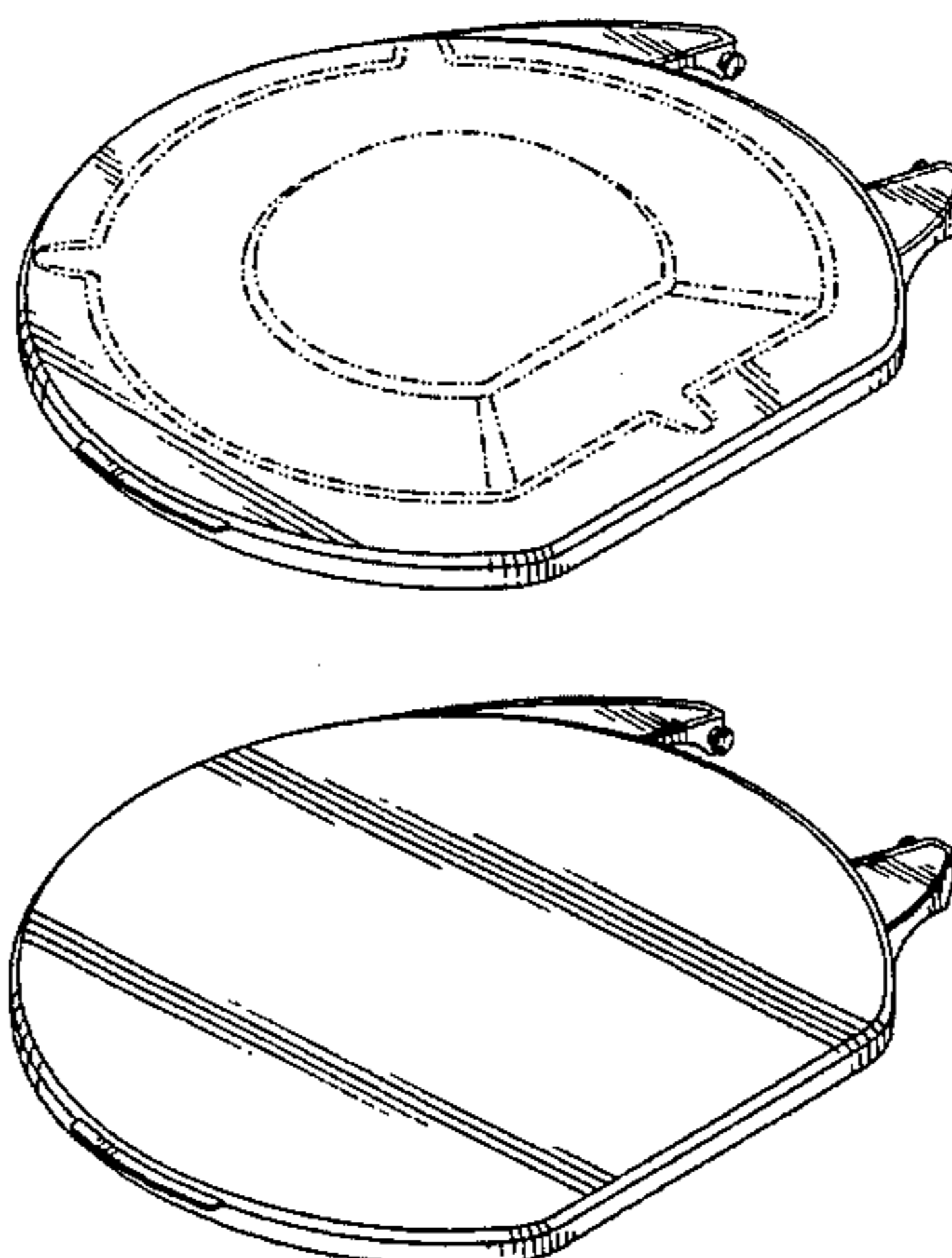
[57] CLAIM

The ornamental design for a refuse container lid, as shown and described.

DESCRIPTION

FIG. 1 is a top front perspective view of a refuse container lid showing my new design;
 FIG. 2 is a top plan view thereof;
 FIG. 3 is a right side elevational view thereof;
 FIG. 4 is a rear elevational view thereof;
 FIG. 5 is a left side elevational view thereof;
 FIG. 6 is a bottom plan view thereof;
 FIG. 7 is a front elevational view thereof;
 FIG. 8 is a top left front perspective view of the subject invention, shown with the environmental unclaimed features removed;
 FIG. 9 is a top plan view of FIG. 8;
 FIG. 10 is a right side elevational view of FIG. 8;
 FIG. 11 is a rear elevational view of FIG. 8;
 FIG. 12 is a left side elevational view of FIG. 8;
 FIG. 13 is a left side elevational view of FIG. 8; and,
 FIG. 14 is a front elevational view of FIG. 8.

1 Claim, 6 Drawing Sheets



U.S. PATENT DOCUMENTS

D. 337,190	7/1993	Juergens	D34/11
D. 343,267	1/1994	Craft et al.	D34/11
D. 345,837	4/1994	Bean	D34/5
D. 347,095	5/1994	Apps et al.	D34/5
D. 349,795	8/1994	Schauer et al.	D34/5
D. 351,704	10/1994	Breen	D34/11
D. 351,705	10/1994	Bird et al.	D34/11
D. 351,706	10/1994	Breen	D34/11
D. 355,511	2/1995	Cassel	D34/1
D. 355,741	2/1995	Craft et al.	D34/5
2,907,491	10/1959	Gunn	220/40
3,083,859	4/1963	Gardiner	220/30
3,800,973	4/1974	Weaver	D34/11
3,860,141	1/1975	Hawk	220/908
4,295,508	10/1981	Metzger	220/908
4,313,612	2/1982	Rubens	280/79.1
4,351,539	9/1982	Rodolakis	280/47.26
4,390,110	6/1983	Pirro	220/318
4,407,427	10/1983	Reuter	220/908
4,440,321	4/1984	Campbell et al.	222/153
4,450,976	5/1984	Snyder et al.	220/343
4,545,502	10/1985	Reuter	220/908
4,558,799	12/1985	Hammond	220/343
4,600,113	7/1986	DeMars	220/1
4,630,752	12/1986	DeMars	220/404
4,723,686	2/1988	Pennisi	220/300
4,749,101	6/1988	Durkan	220/337
4,819,827	4/1989	DiSesa	220/318
4,836,394	6/1989	Glomski	220/1
4,917,263	4/1990	Korb	220/404
4,930,653	6/1990	Machando	220/23.4
5,004,114	4/1991	Terbrusch et al.	220/296
5,071,024	12/1991	Delmerico et al.	220/335
5,085,340	2/1992	Doxey et al.	220/298
5,088,750	2/1992	Beese et al.	280/47.26
5,090,585	2/1992	Power	220/404
5,217,136	6/1993	Sanden	220/337
5,323,923	6/1994	Schauer	220/337
5,356,027	10/1994	Craft	220/338

OTHER PUBLICATIONS

Sell sheet, Refuse container lids; Toter Incorporated, P.O. Box 5338, 841 Meacham Road, Statesville, North Carolina 28677. Publication date Apr., 1992.

Sell sheet, Refuse container lids; Zarn, Inc., Reidsville, North Carolina 27320. Published at least as early as Jun., 1992.

Catalog page, Refuse container lids; Zarn, Inc., Reidsville, North Carolina 27320. Published at least as early as May 13, 1993.

Catalog page, Refuse container lids; Zarn, Inc., Reidsville, North Carolina 27320. Published at least as early as May 13, 1993.

Pp. 2, 3 and 4, Refuse container lids; Continental Manufacturing Company, 123 Byassee Drive, Hazelwood, Missouri 63042. Published at least as early as Oct., 1994.

Catalog page, Refuse container lids; Tucker Housewares, 25 Tucker Drive, Leominster, Massachusetts 01453. Publication date 1992.

Catalog page, Refuse container lids; Tucker lids; Tucker Housewares, 25 Tucker Drive, Leominster, Massachusetts 01453. Publication date 1992.

Sell sheet, Refuse container lids; Tucker Housewares, 25 Tucker Drive, Leominster, Massachusetts 01453. Publication date 1992.

Pp. 6,7,8 and 10, Refuse container lids; Tucker Housewares, 25 Tucker Drive, Leominster, Massachusetts 01453. Published at least as early as May, 1994.

Sell sheet, Refuse container lid; Sears, Roebuck and Co., Chicago, Illinois 60684. Published at least as early as 1993.

Sell sheet, Refuse container lids; Reuter, Inc., 410 11th Avenue South, Hopkins, Minnesota 55343. Publication date 1989.

Sell sheet, Refuse container lid; Bonar Plastics Ltd., address unknown. Published at least as early as 1993.

Sell Sheet, Refuse container lid; Handelonderneming Kiggen B.V., Den Engelsman 1, Postbus 2624, 6026 ZG Maarheeze. Published at least as early as 1993.

Sell sheet, Refuse container lid; Pawnee Products, 433 Industrial Road, Goddard, Kansas 67052. Published at least as early as 1993.

Sell sheet; Refuse container lid; White, 10770 North 46th Street, Tampa, Florida 33617. Publication date Jun. 1, 1988.

Price List, Refuse container lids; Contico Manufacturing Company, 1101 Warson Road, St. Louis, Missouri 63132. Publication date Aug. 1, 1986.

Price List, Refuse container lids; Contico Manufacturing Company, 1101 Warson Road, St. Louis, Missouri 63132. Publication date Aug. 1, 1986.

P. 16, Refuse container lids; Rubbermaid Commercial Products Inc., 3124 Valley Avenue, Winchester, Virginia 22601. Publication date 1992.

Pp. 28 and 29, Refuse container lids; Rubbermaid Incorporated, 1147 Akron Road, Wooster, Ohio 44691. Publication date 1990.

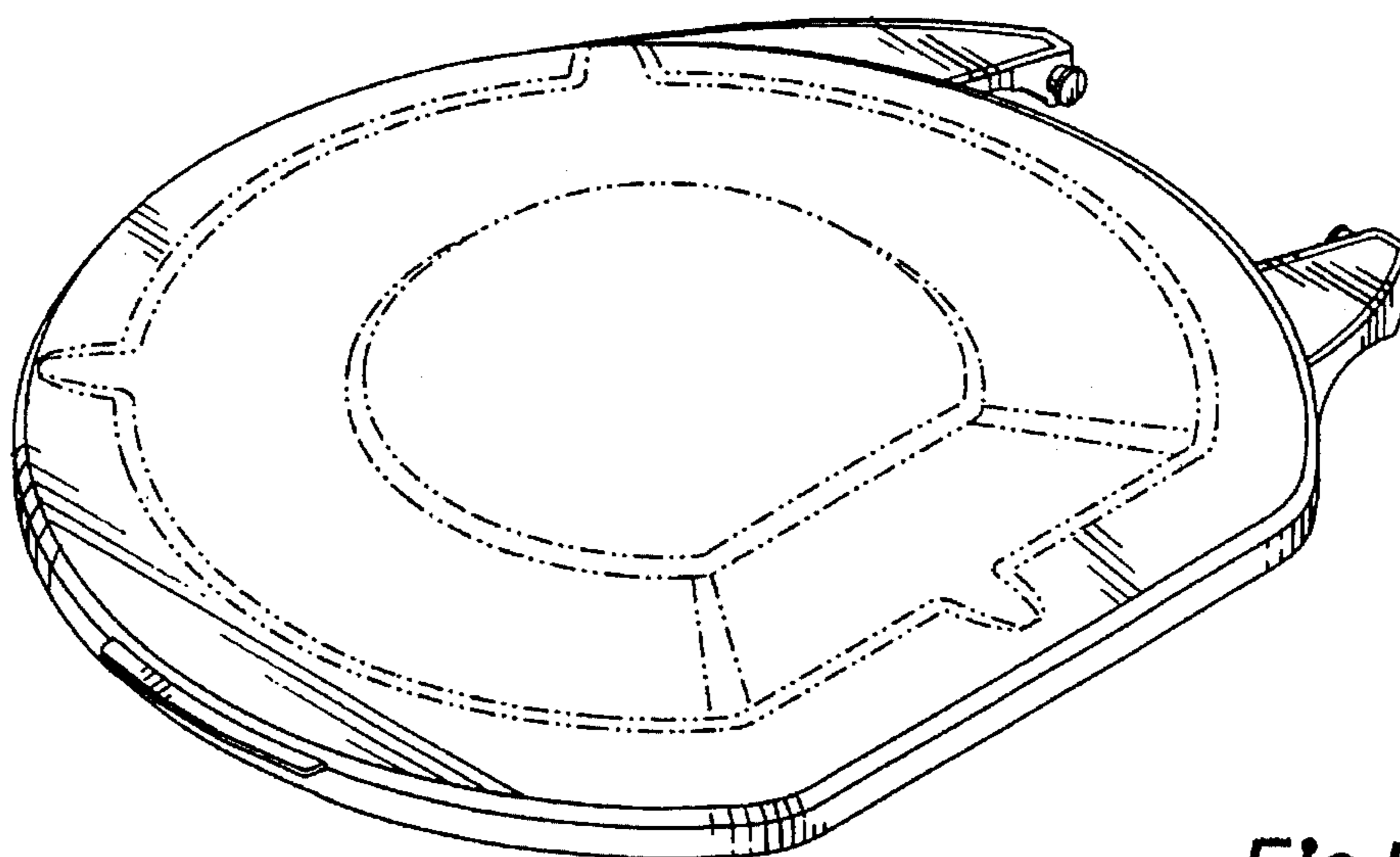


Fig-1

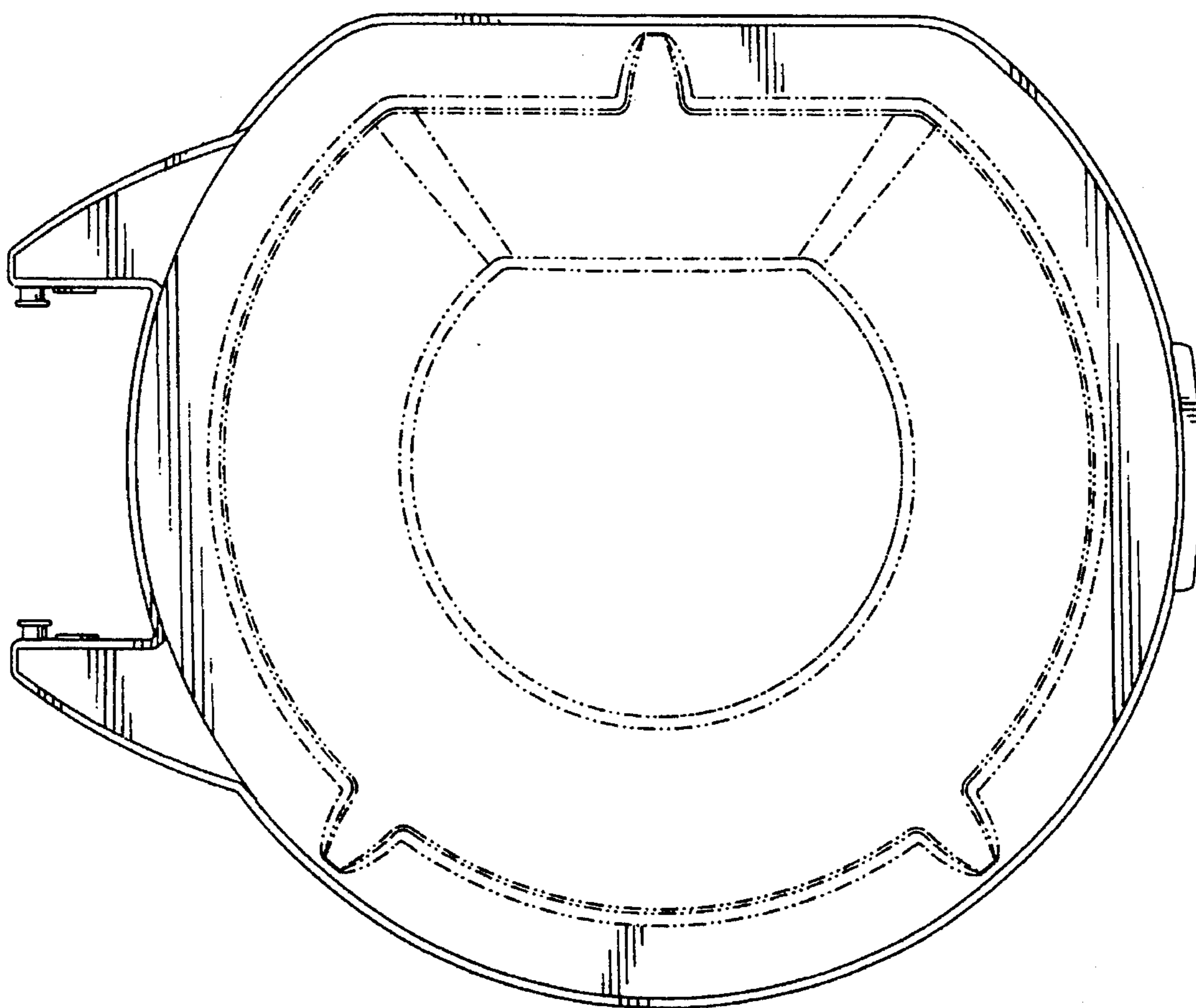


Fig-2

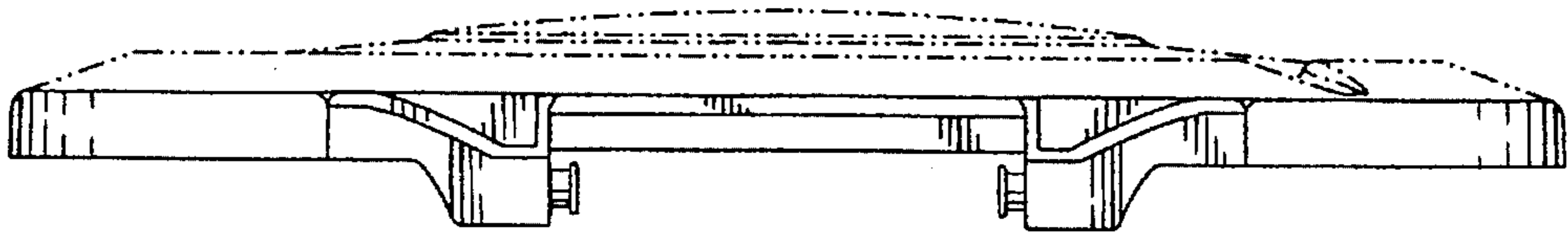


Fig-3

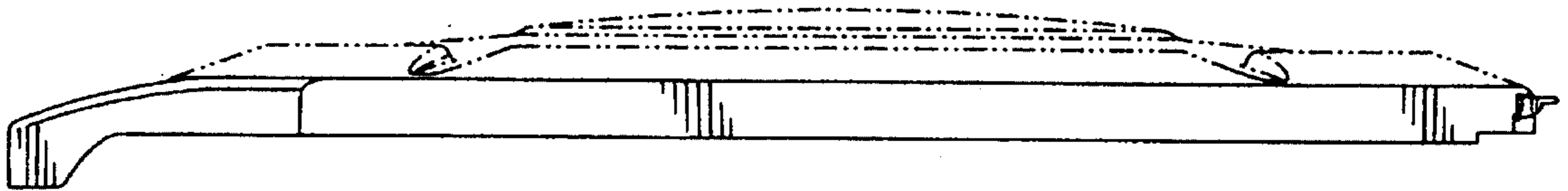


Fig-4

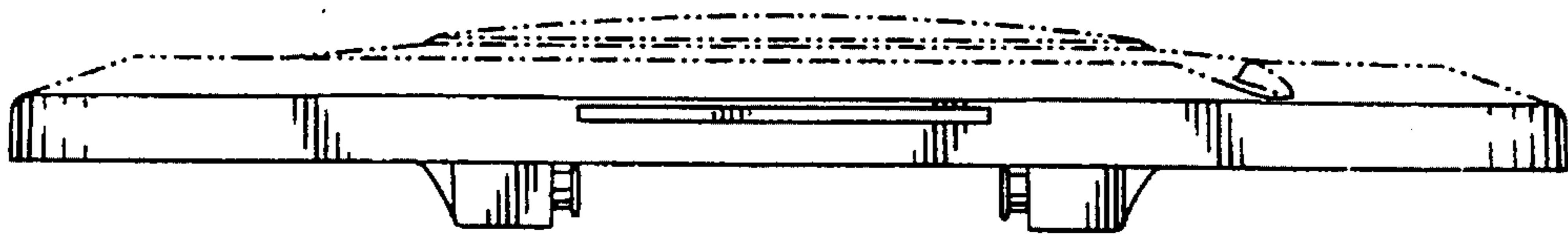


Fig-5

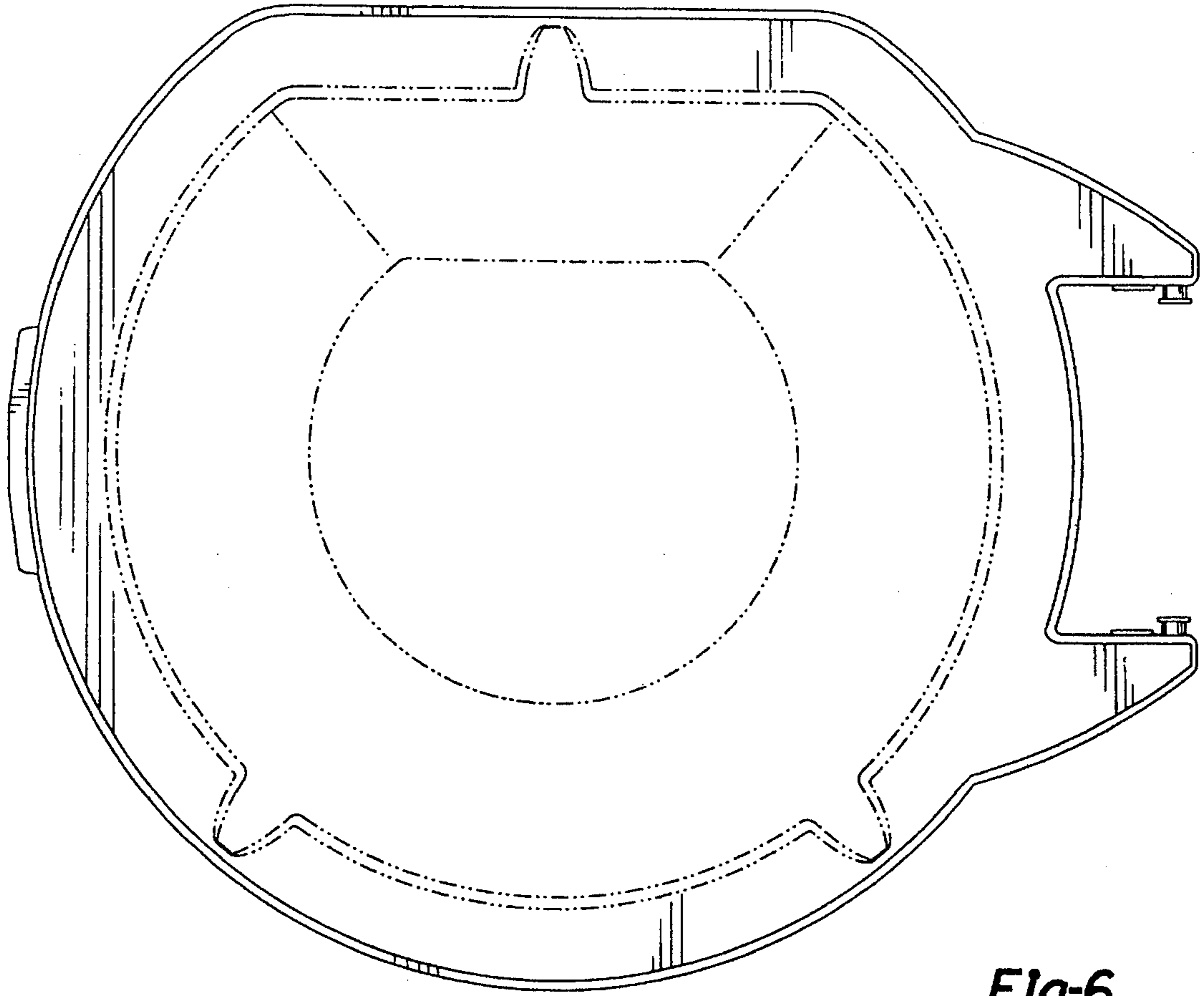


Fig-6

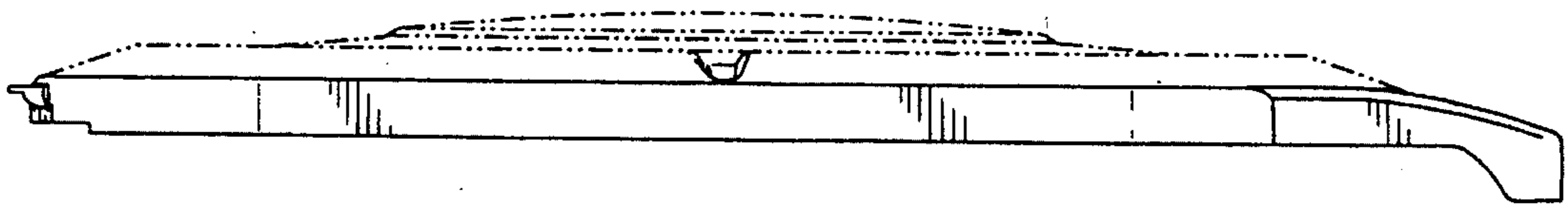


Fig-7

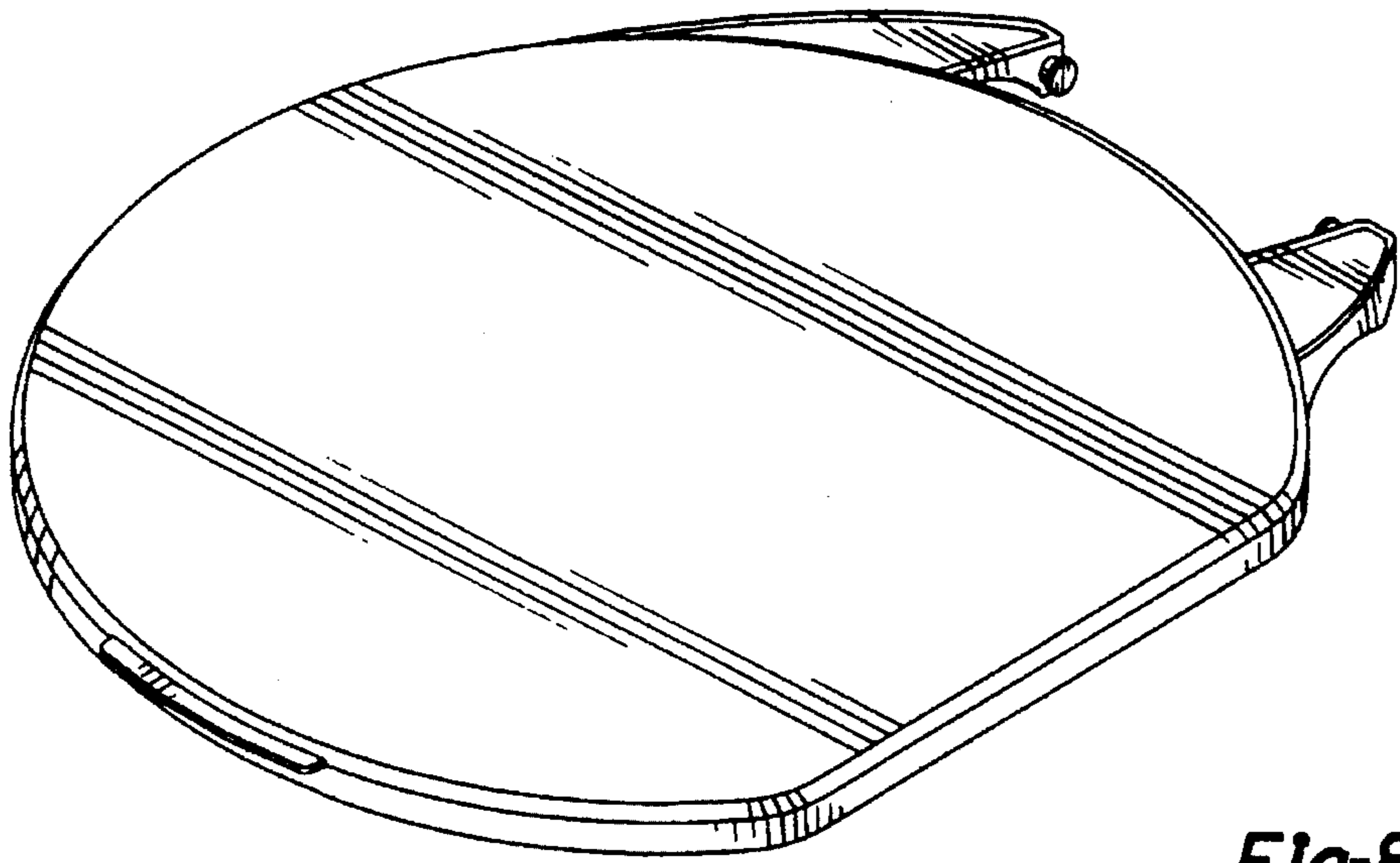


Fig-8

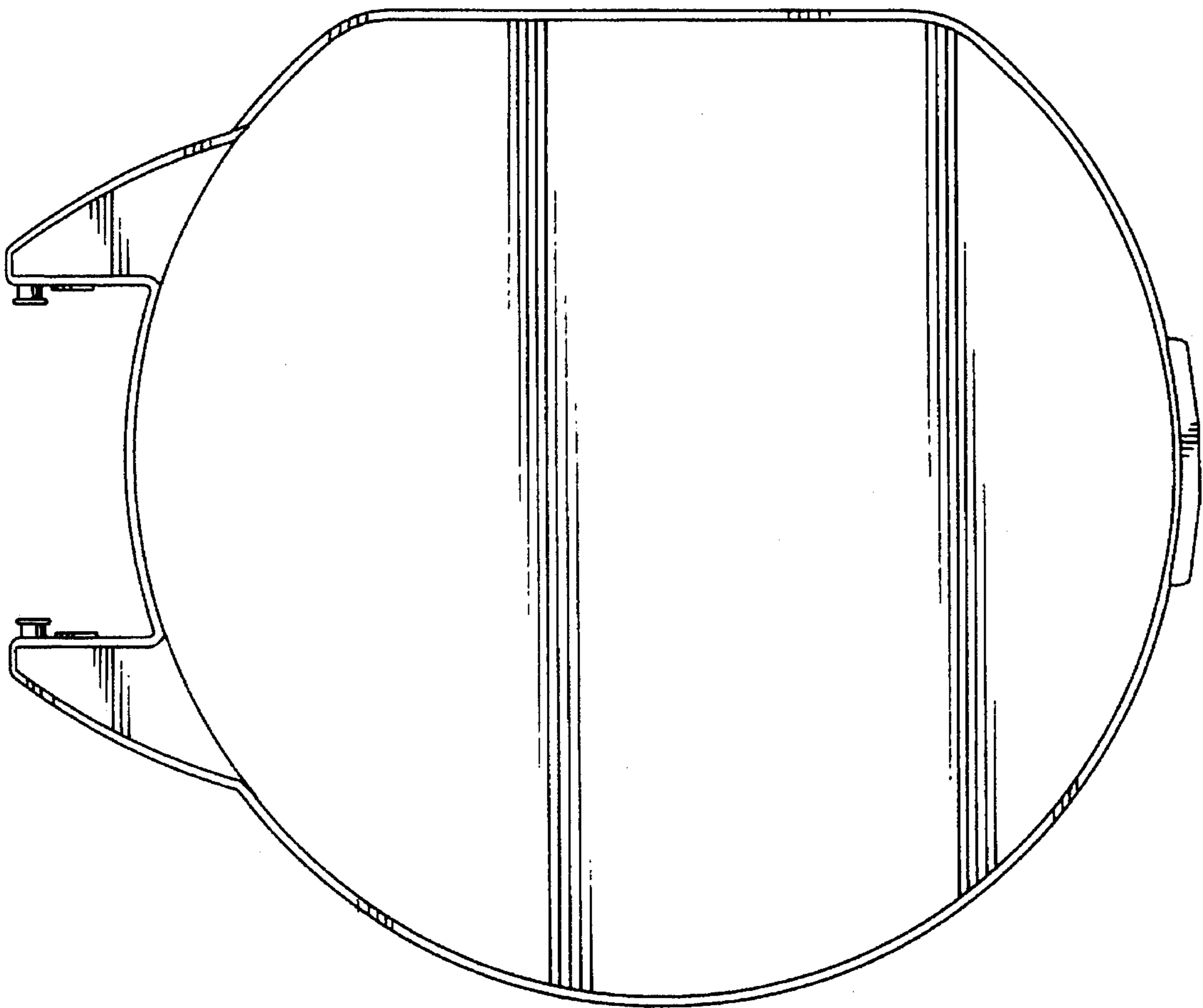


Fig-9

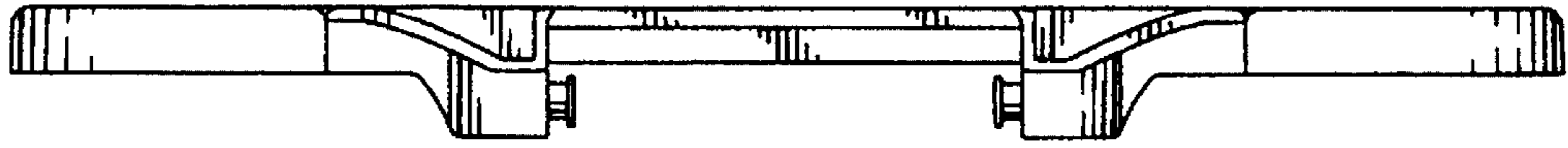


Fig-10

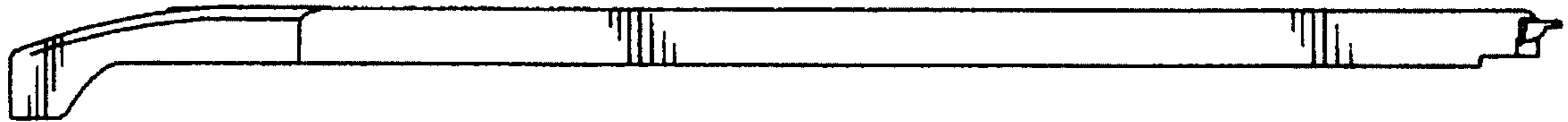


Fig-11

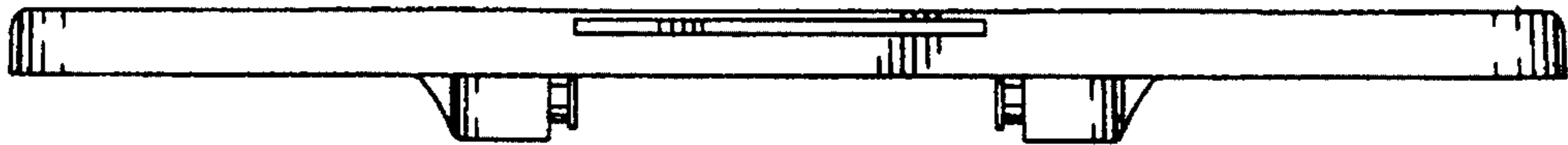


Fig-12

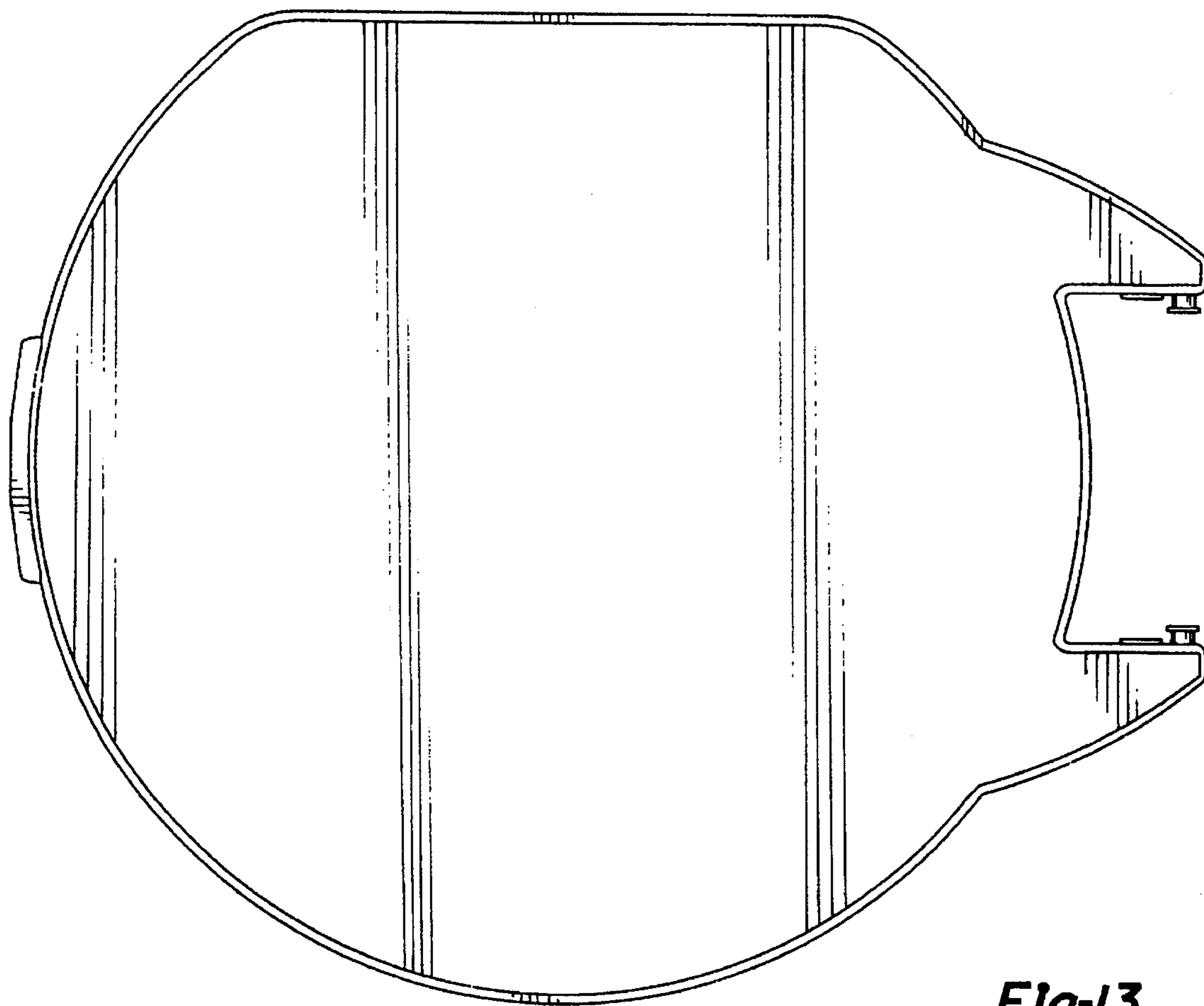


Fig-13

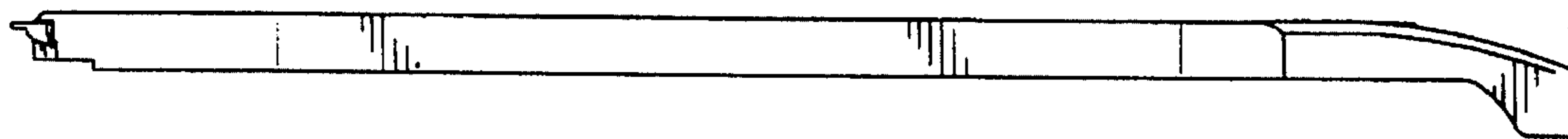


Fig-14