



US00D377252S

United States Patent [19]

Laurenzi

[11] Patent Number: **Des. 377,252**

[45] Date of Patent: ****Jan. 7, 1997**

[54] **COUNTERTOP WASTE DISPOSAL UNIT**

[76] Inventor: **Richard Laurenzi, 278 Sterling Pl., Brooklyn, N.Y. 11238**

[**] Term: **14 Years**

[21] Appl. No.: **50,027**

[22] Filed: **Feb. 7, 1996**

[52] U.S. Cl. **D34/1**

[58] Field of Search D34/1, 5-7, 10, D34/11; D32/37; 232/43.2, 1 R; 220/908-911

[56] **References Cited**

U.S. PATENT DOCUMENTS

D. 154,408	7/1949	McGraw	D34/1
D. 228,059	8/1973	Woofter	D34/1
D. 332,854	1/1993	Waterston et al.	D34/6

Primary Examiner—Joel Sincavage
Assistant Examiner—Robin V. Taylor
Attorney, Agent, or Firm—Thomas A. Beck; Baker & Friedman

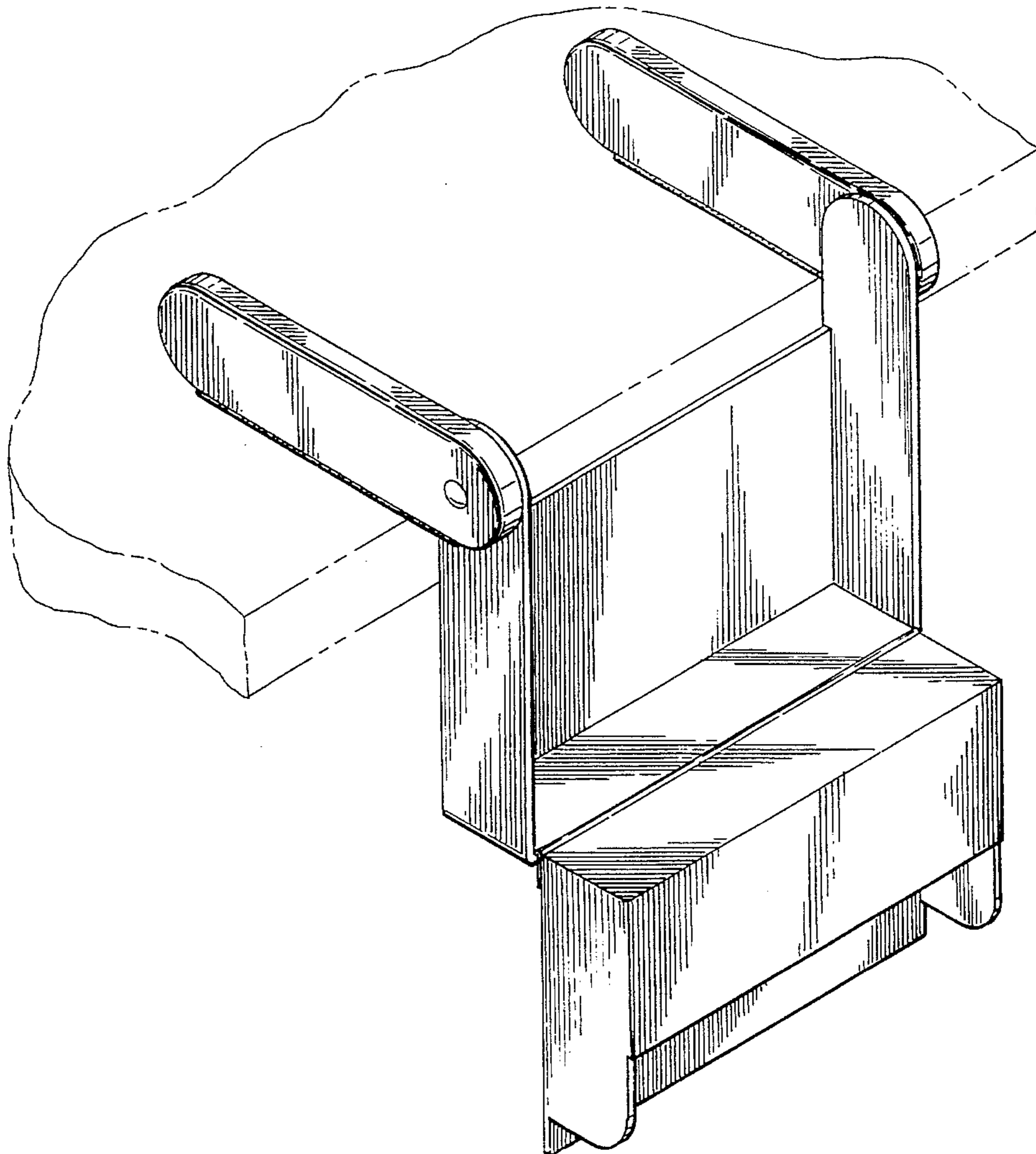
[57] **CLAIM**

The ornamental design for a countertop waste disposal unit, as shown and described.

DESCRIPTION

FIG. 1 is a front perspective view of a countertop waste disposal unit showing my new design on a table top;
FIG. 2 is a front perspective view thereof in collapsed position;
FIG. 3 is a right end view of FIG. 2;
FIG. 4 is a rear view of FIG. 2;
FIG. 5 is a top plan view;
FIG. 6 is a bottom plan view; and,
FIG. 7 is a front perspective view thereof with the collection compartment open.
The broken line showing of a table top is for illustrative purposes only and forms no part of the claimed design.

1 Claim, 2 Drawing Sheets



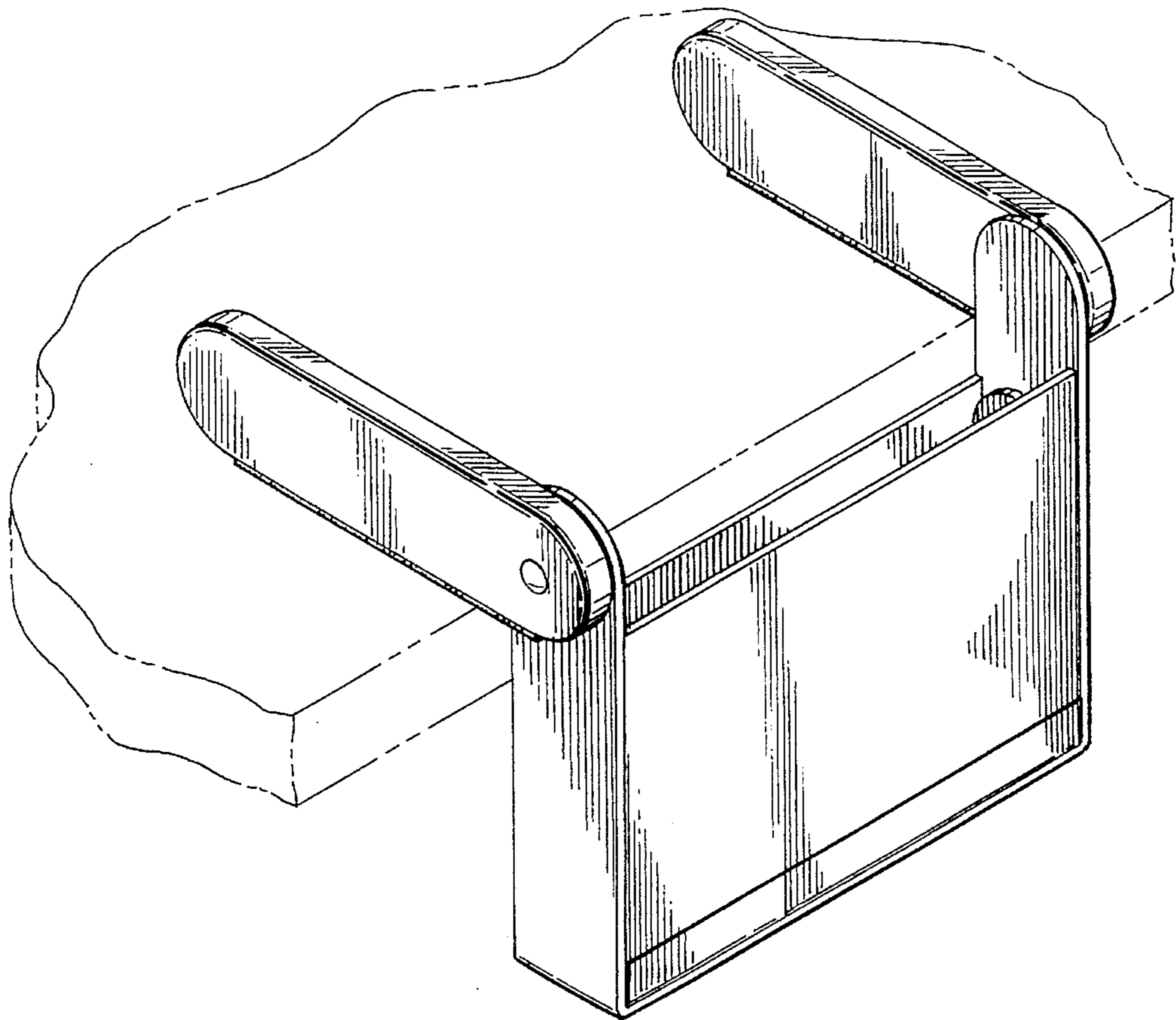


Fig. 1.

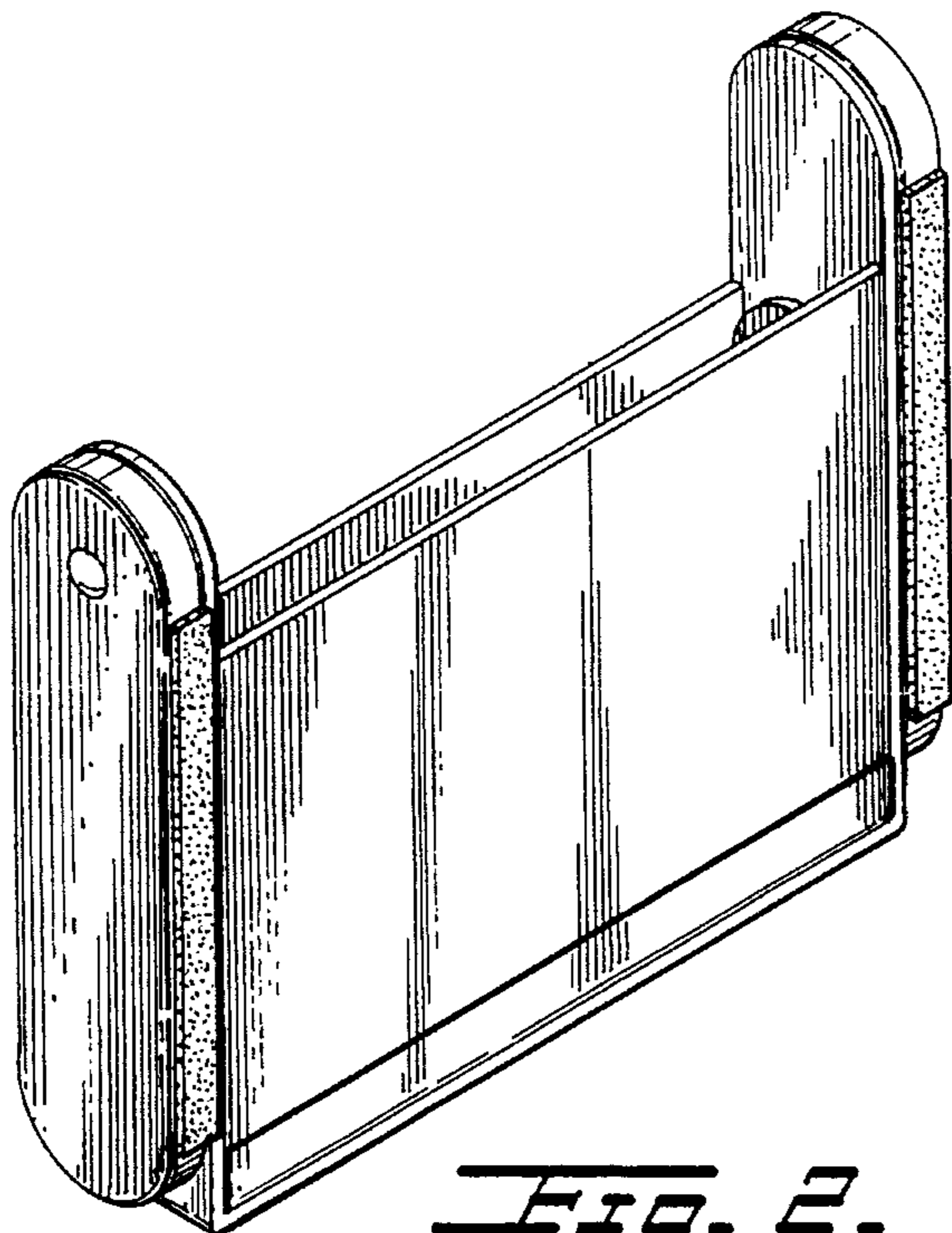


Fig. 2.



Fig. 3.

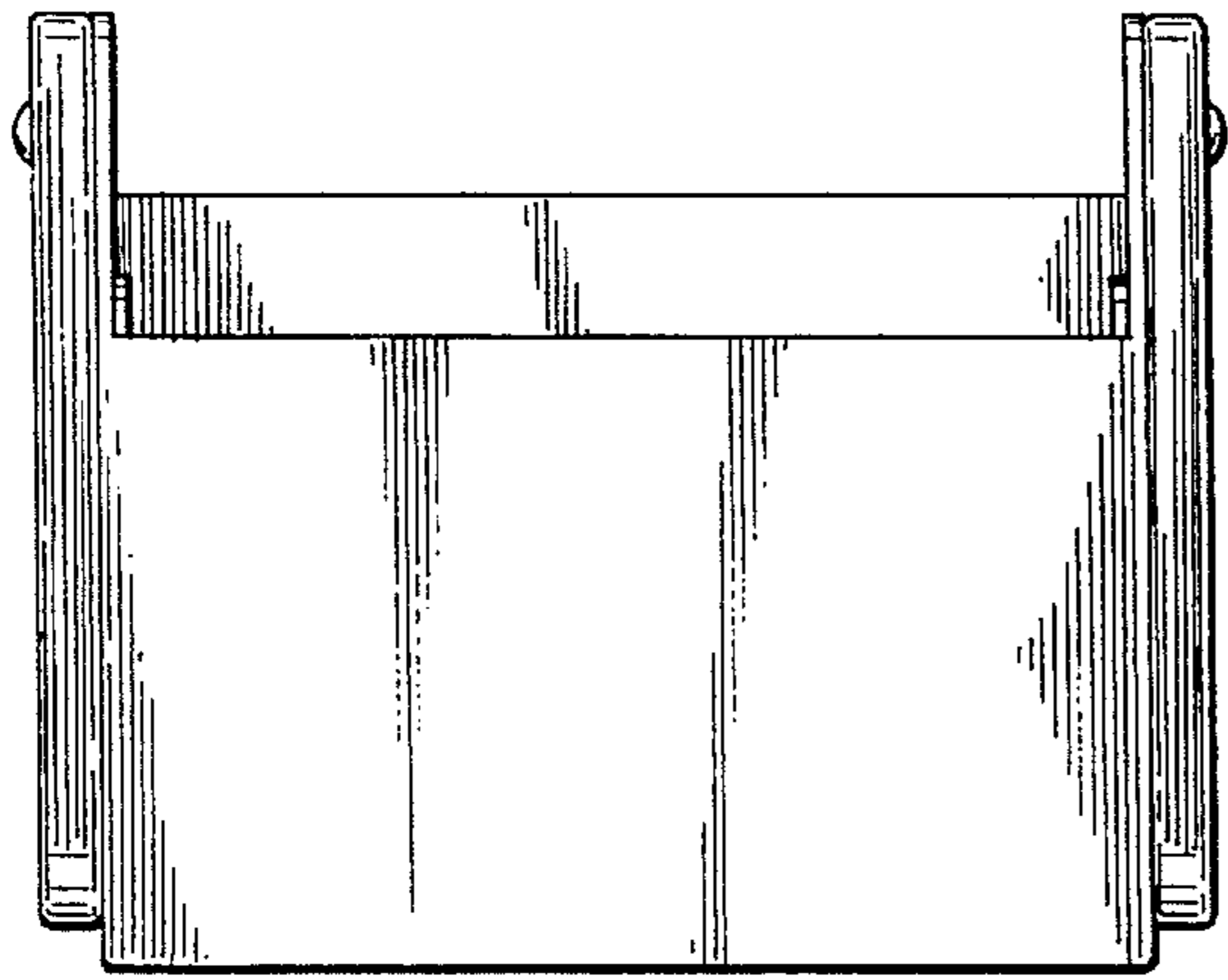


Fig. 4.

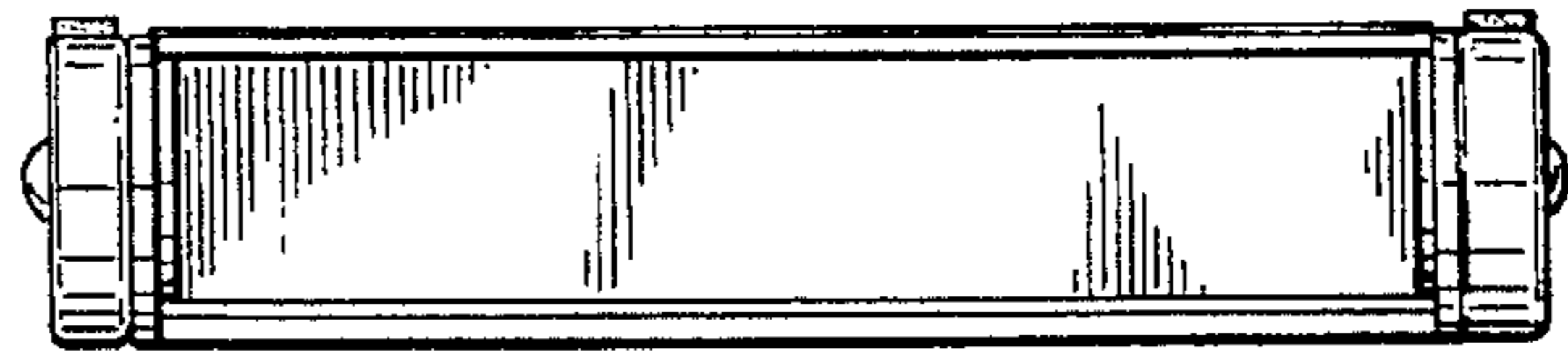


Fig. 5.

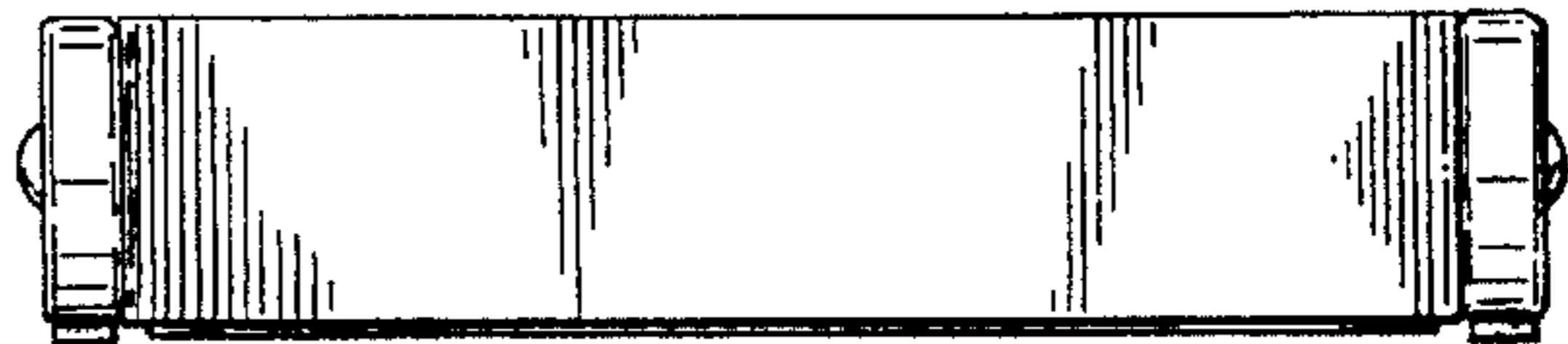


Fig. 6.

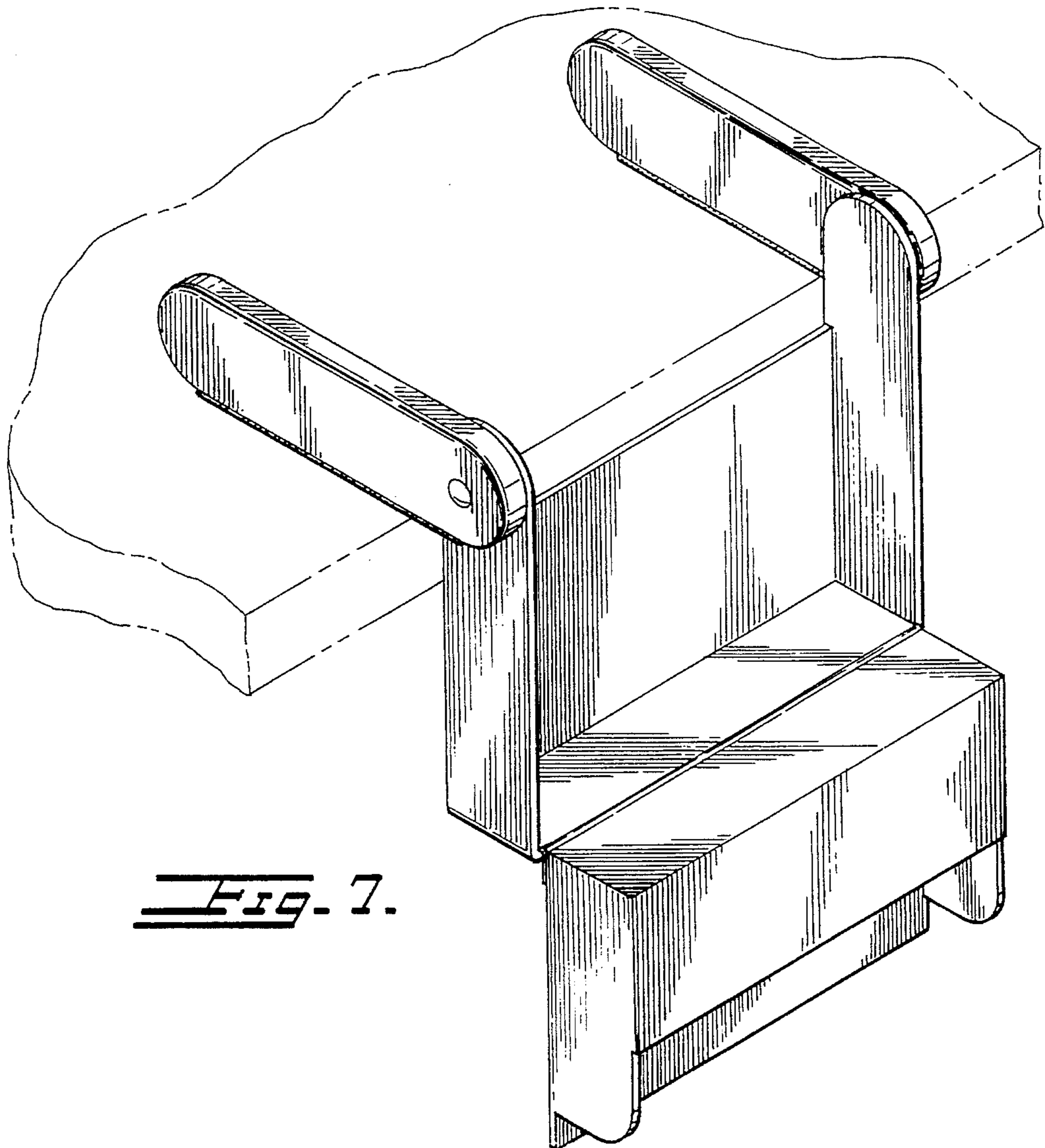


Fig. 7.