



US00D377251S

**United States Patent** [19]  
**Mitchell**

[11] **Patent Number: Des. 377,251**  
[45] **Date of Patent: \*\*Jan. 7, 1997**

[54] **BARBECUE GRILLE SCRAPER HEAD**

*Assistant Examiner*—Cynthia E. Ramirez  
*Attorney, Agent, or Firm*—Klauber & Jackson

[76] Inventor: **Andrew E. Mitchell**, 9 Killbride Avenue, Torrens Park, South Australia, Australia

[57] **CLAIM**

[\*\*] Term: **14 Years**

The ornamental design for a barbecue grille scraper head, as shown and described.

[21] Appl. No.: **28,919**

**DESCRIPTION**

[22] Filed: **Sep. 26, 1994**

FIG. 1 is a bottom view, partly in phantom as to the handle portion thereof, showing the barbecue grille scraper head of my new design;

[30] **Foreign Application Priority Data**

FIG. 2 is a front view thereof;

Mar. 24, 1994 [AU] Australia ..... 905/94

FIG. 3 is a right side view thereof, partly in phantom as to the handle portion thereof;

[52] **U.S. Cl.** ..... **D32/49**

FIG. 4 is a rear view thereof, partly in phantom as to the handle portion thereof;

[58] **Field of Search** ..... D32/40, 46; D7/688, D7/696; 15/236.01, 236.03, 237, 236.05, 236.08, 236.09, 236.07

FIG. 5 is a left hand front perspective view thereof taken as to the bottom of the barbecue grille scraper head of FIG. 1, partly in phantom as to the handle portion thereof; and,

[56] **References Cited**

**U.S. PATENT DOCUMENTS**

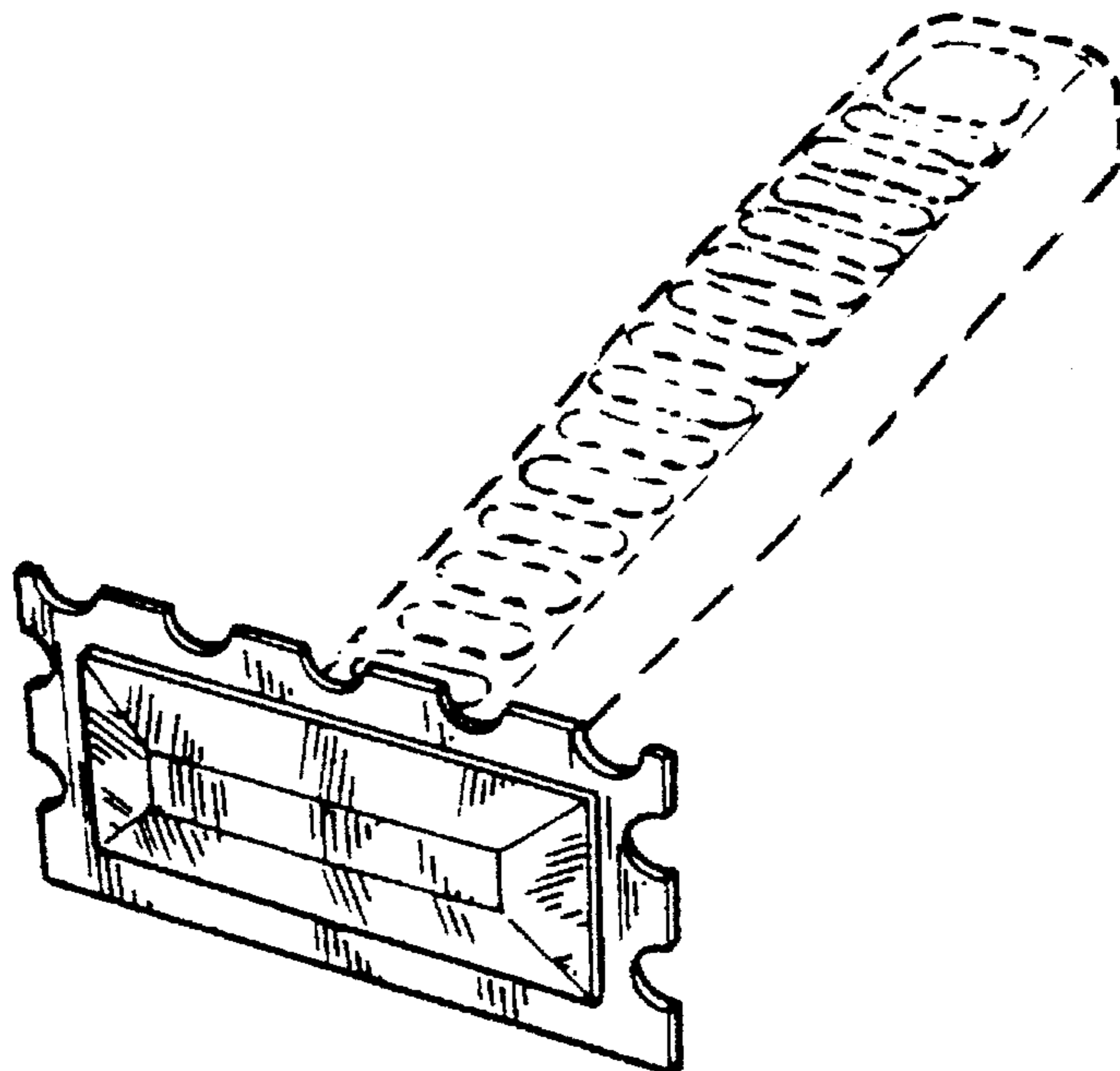
FIG. 6 is a left hand rear perspective view, taken as to the top of the barbecue grille scraper head of FIG. 1, partly in phantom as to the handle portion thereof.

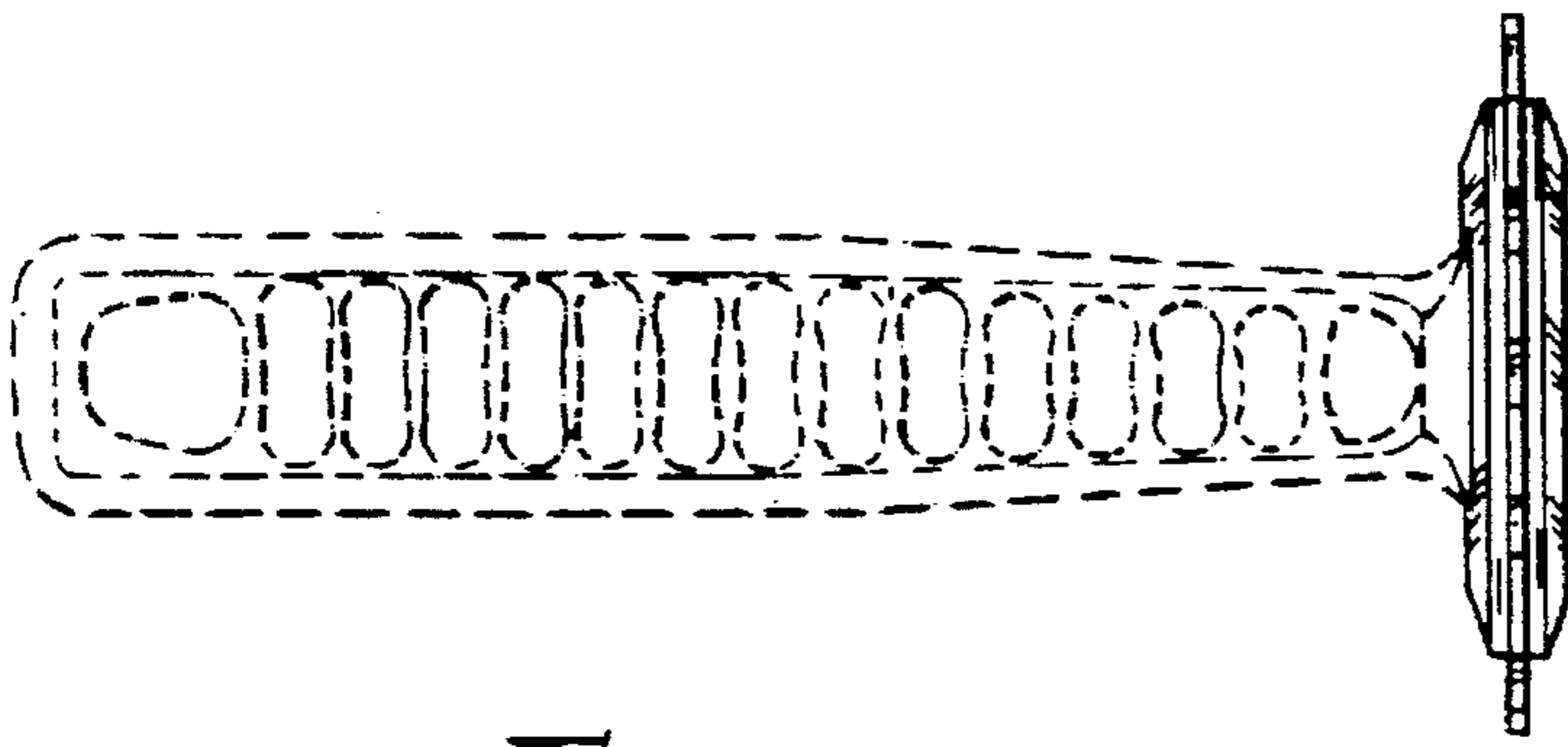
D. 264,543	5/1982	Ashley	.....	D32/49
D. 305,468	1/1990	Yonkers	.....	D32/46
D. 324,747	3/1992	Rood	.....	D32/46
D. 341,453	11/1993	Roma et al.	.....	D32/46
4,958,403	9/1990	Martin	.....	15/236.07
5,373,600	12/1994	Stojanovski	.....	15/111

The broken line showing of the handle in FIG. 1, 3, 4, 5 and 6 is for illustrative purposes only and forms no part of the claimed design.

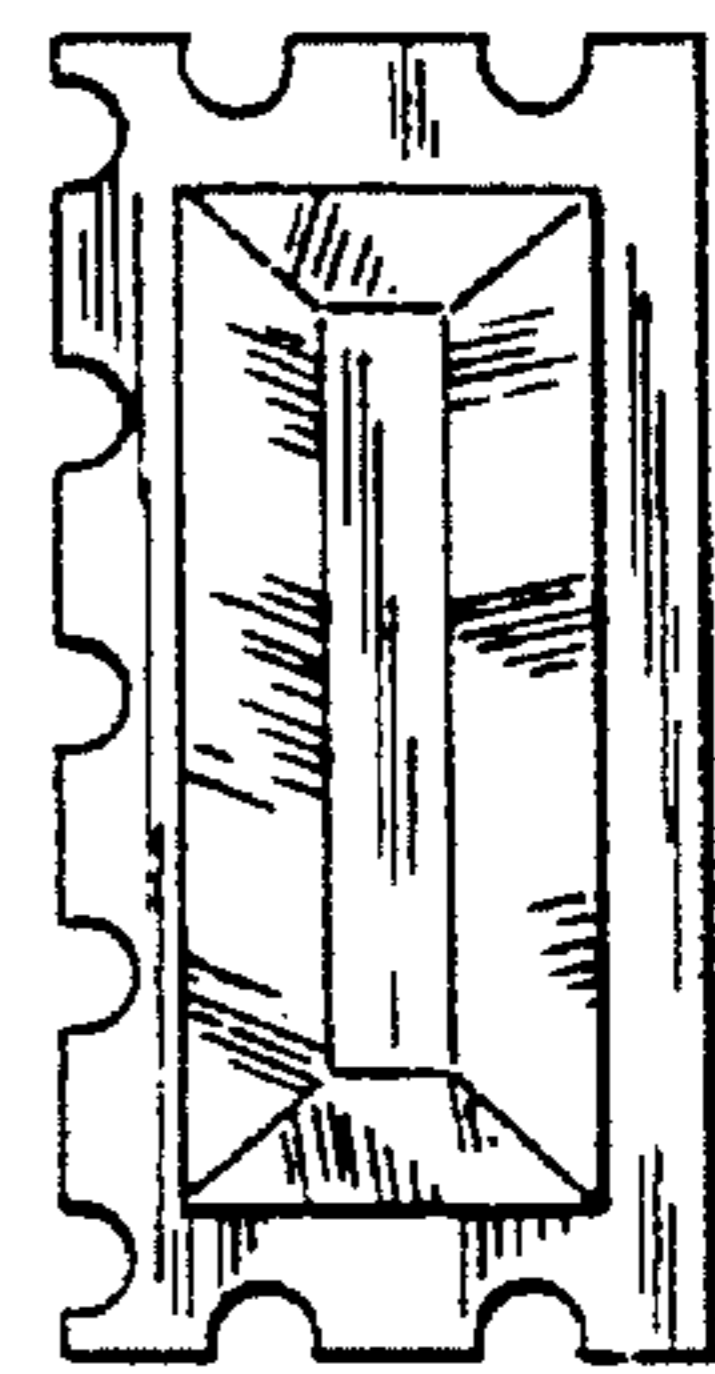
*Primary Examiner*—Susan J. Lucas

**1 Claim, 1 Drawing Sheet**

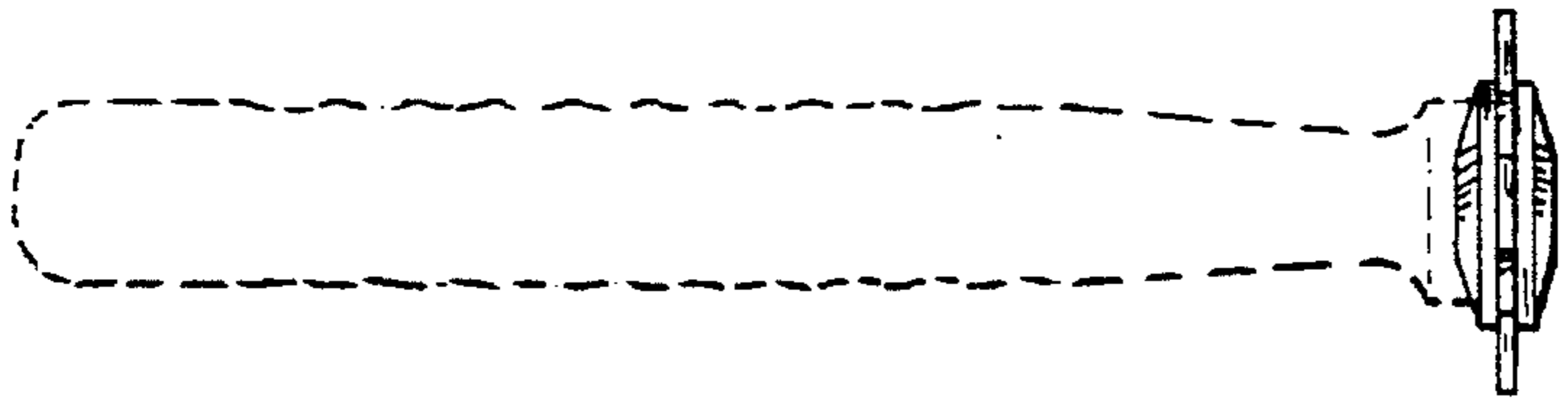




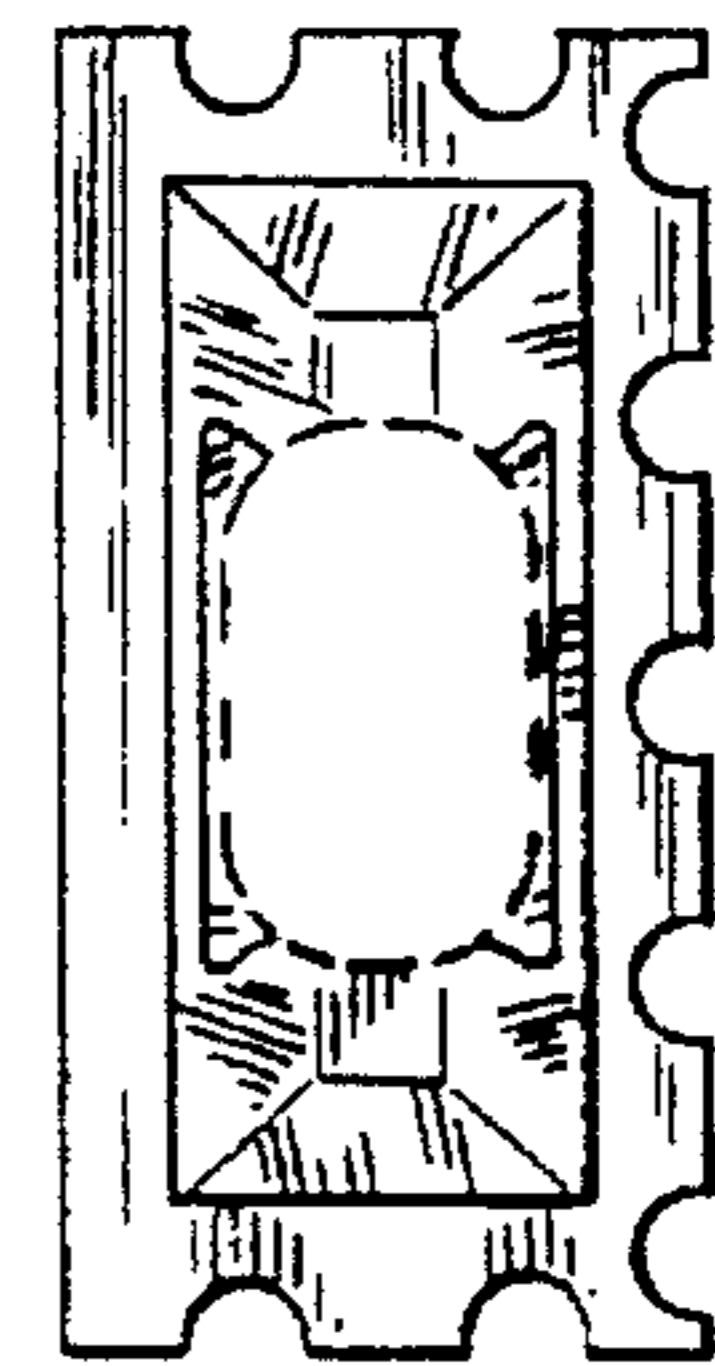
**FIG 1**



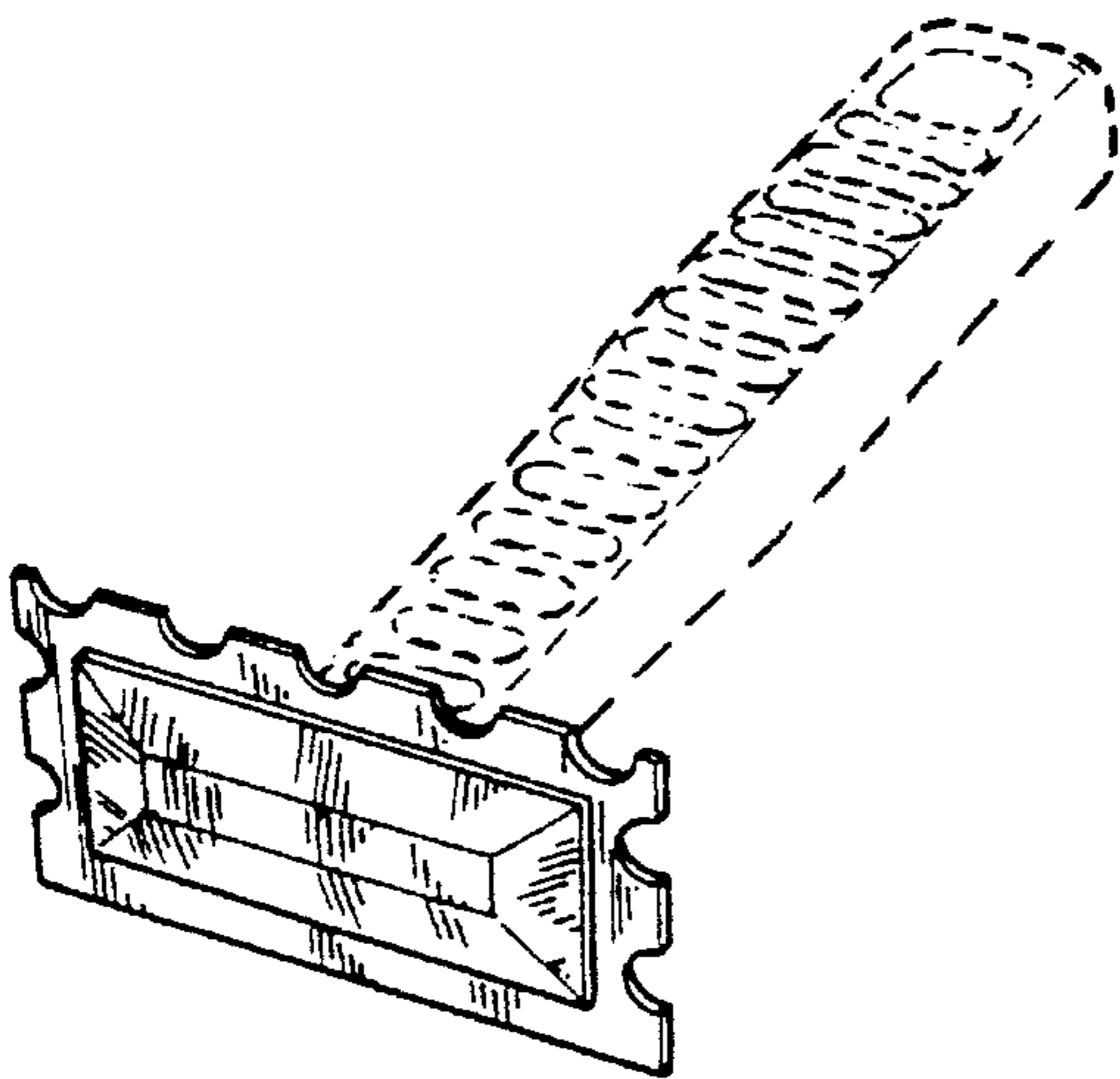
**FIG 2**



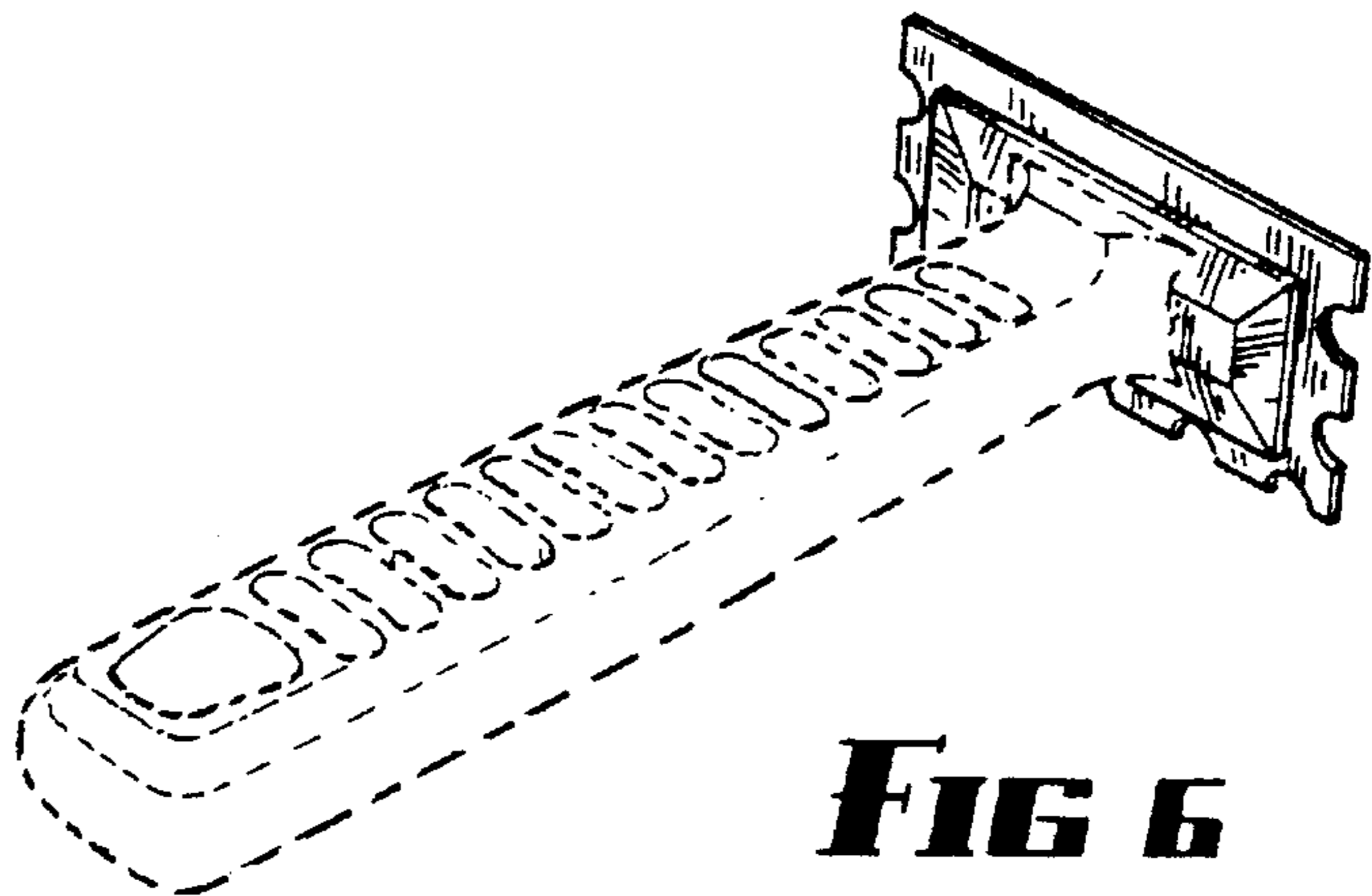
**FIG 3**



**FIG 4**



**FIG 5**



**FIG 6**