



US00D377249S

**United States Patent** [19]  
**Granshaw**

[11] **Patent Number: Des. 377,249**  
[45] **Date of Patent: \*\*Jan. 7, 1997**

[54] **SWIMMING POOL SKIMMER BASKET**

D. 341,684 11/1993 Wall et al. .... D32/35  
3,856,679 12/1974 Jackson ..... 15/1.7 X  
4,725,352 2/1988 Haliotis ..... 210/169

[76] Inventor: **Ken Granshaw**, Unit 18, 42 Lombard Street, Glebe NSW 2037, Australia

[\*\*] Term: **14 Years**

*Primary Examiner*—A. Hugo Word  
*Assistant Examiner*—Cynthia E. Ramirez  
*Attorney, Agent, or Firm*—Harold H. Dutton, Jr.; W. Charles L. Jamison; Diane F. Liebman

[21] Appl. No.: **33,850**

[22] Filed: **Jan. 23, 1995**

[57] **CLAIM**

[52] **U.S. Cl.** ..... **D32/35; D23/210**

The design for a swimming pool skimmer basket, as shown.

[58] **Field of Search** ..... D32/35, 3; D22/135, D22/136; D7/667; 15/1.7; 210/169, 237, 470, 497.01, 499; D23/210, 213

**DESCRIPTION**

[56] **References Cited**

FIG. 1 is a front perspective view of a swimming pool skimmer basket showing my new design; FIG. 2 is a side perspective view thereof; FIG. 3 is a bottom plan view thereof; FIG. 4 is a top plan view thereof; and, FIG. 5 is a cross-sectional view thereof.

**U.S. PATENT DOCUMENTS**

D. 188,094 6/1960 McWethy ..... D32/35  
D. 302,058 7/1989 Brooks ..... D32/35  
D. 316,619 4/1991 Richardson et al. .... D32/35  
D. 330,444 10/1992 Wall et al. .... D32/35

**1 Claim, 5 Drawing Sheets**

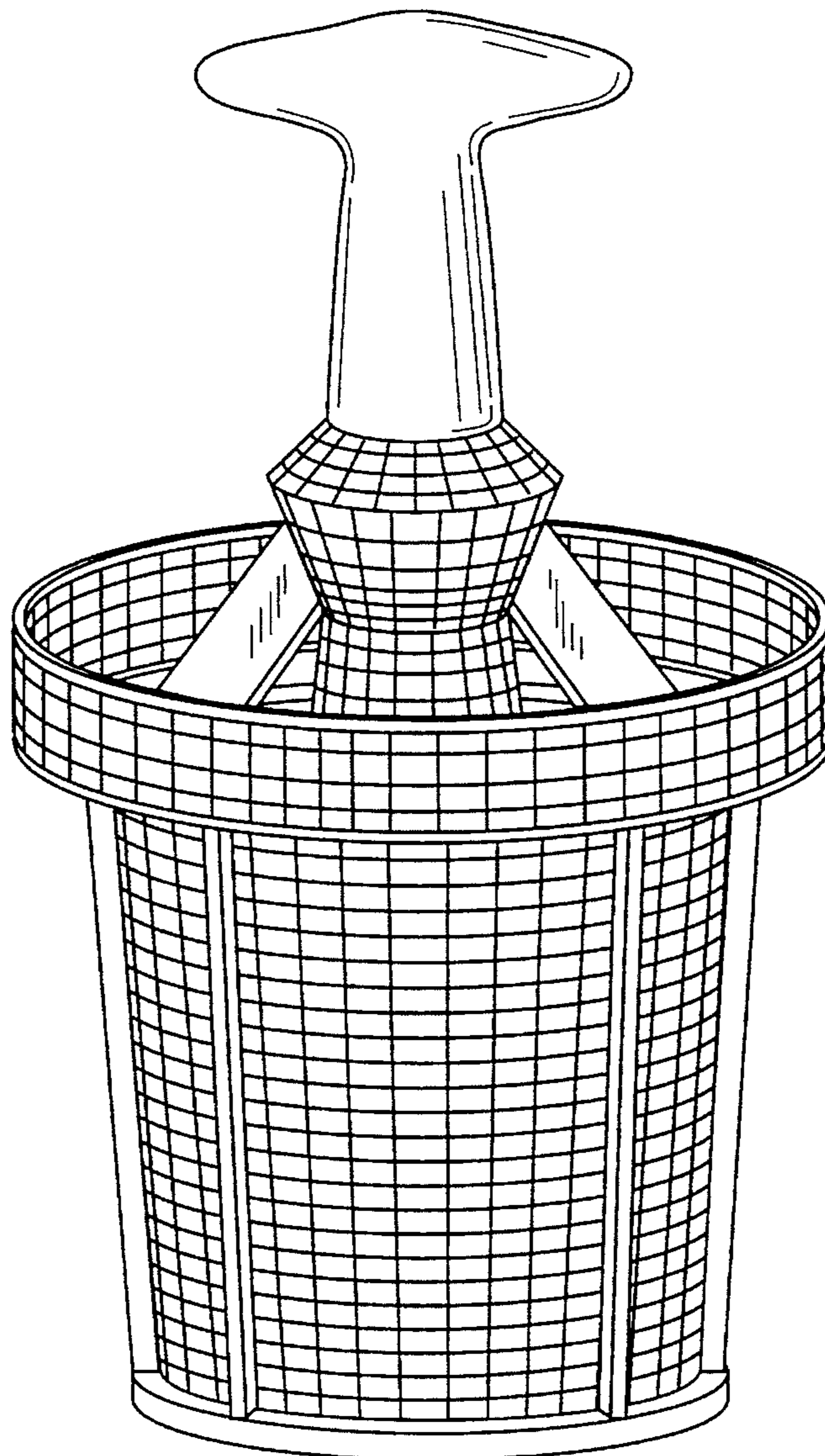


FIG. 1

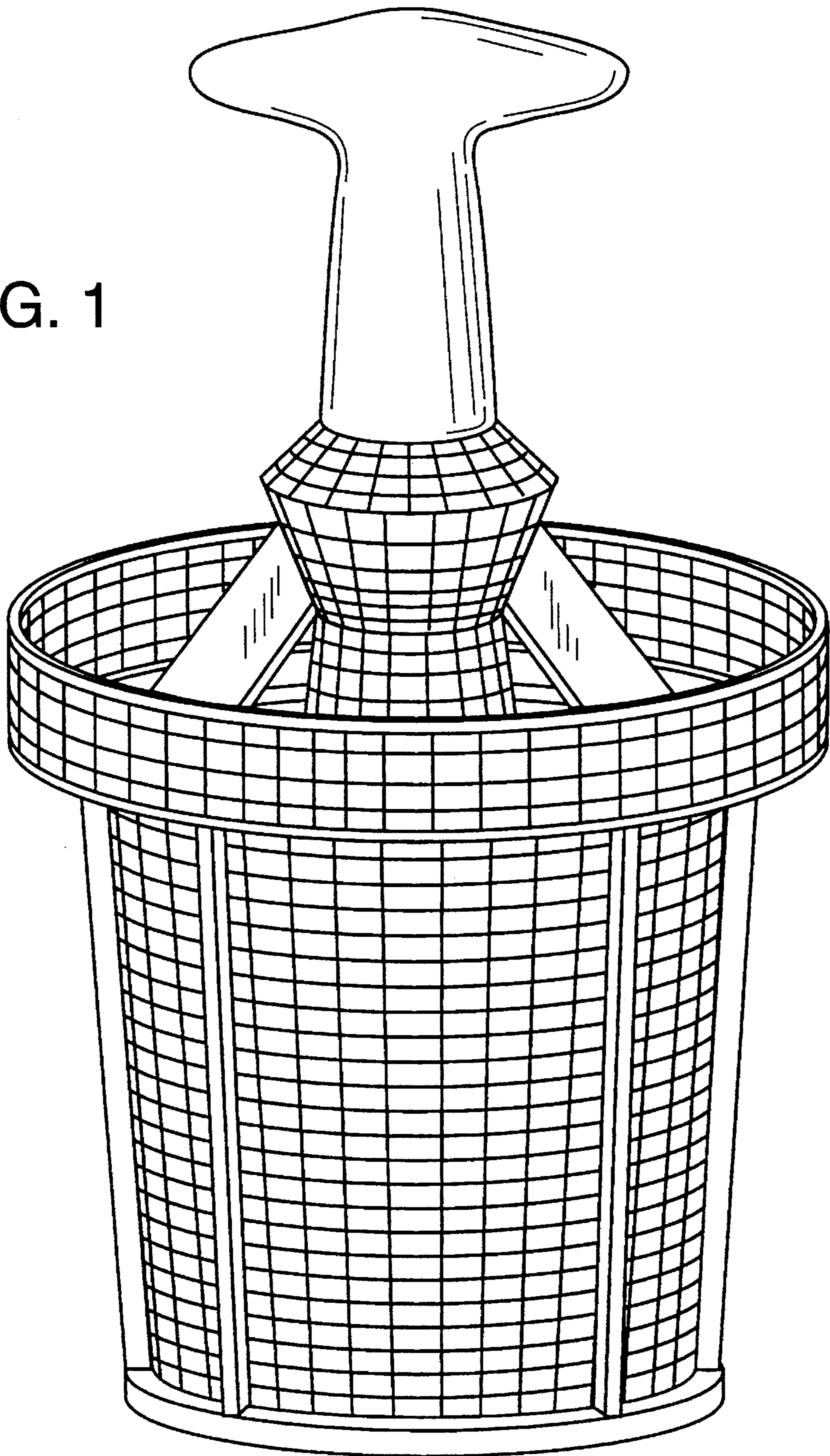
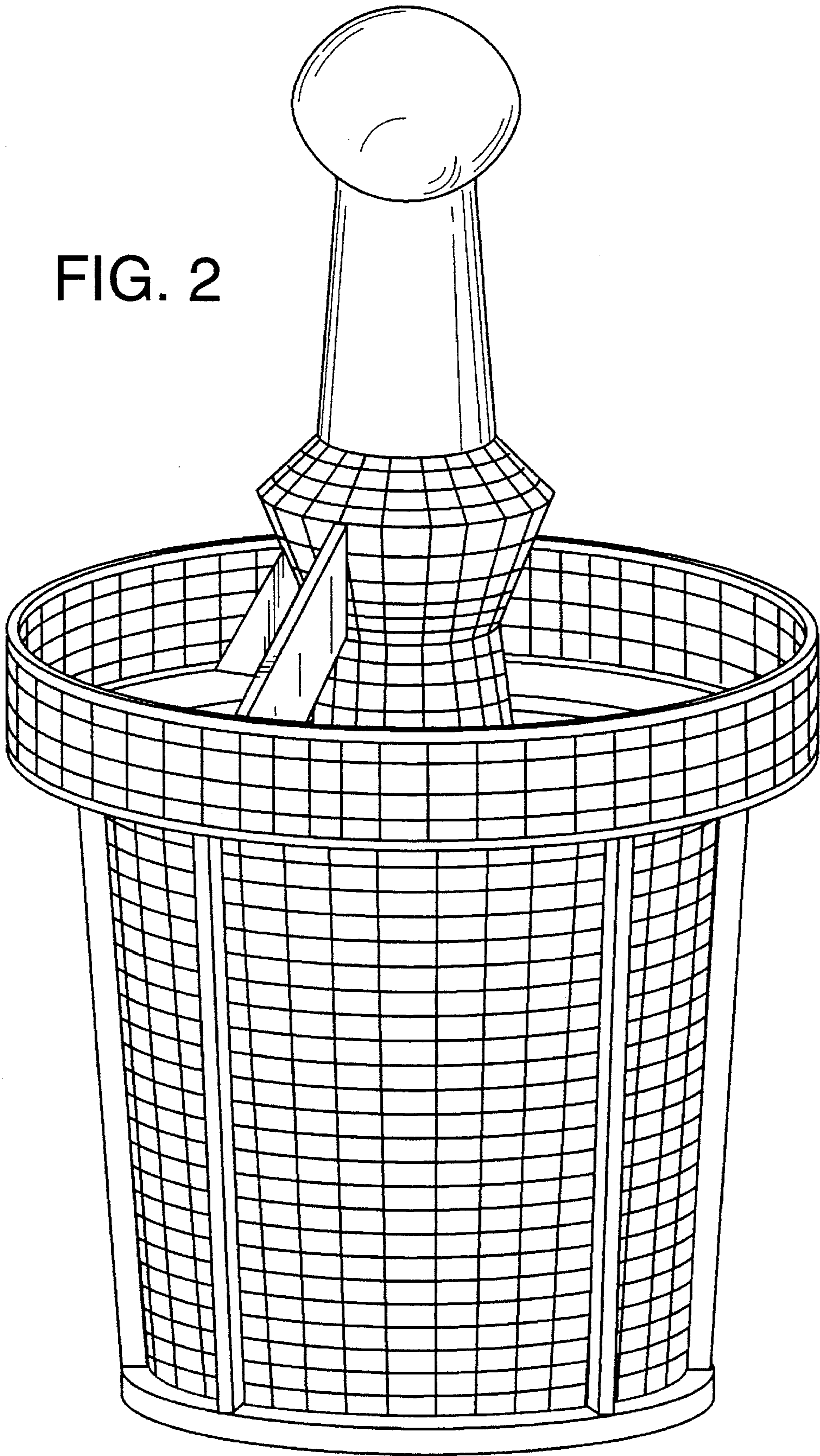


FIG. 2



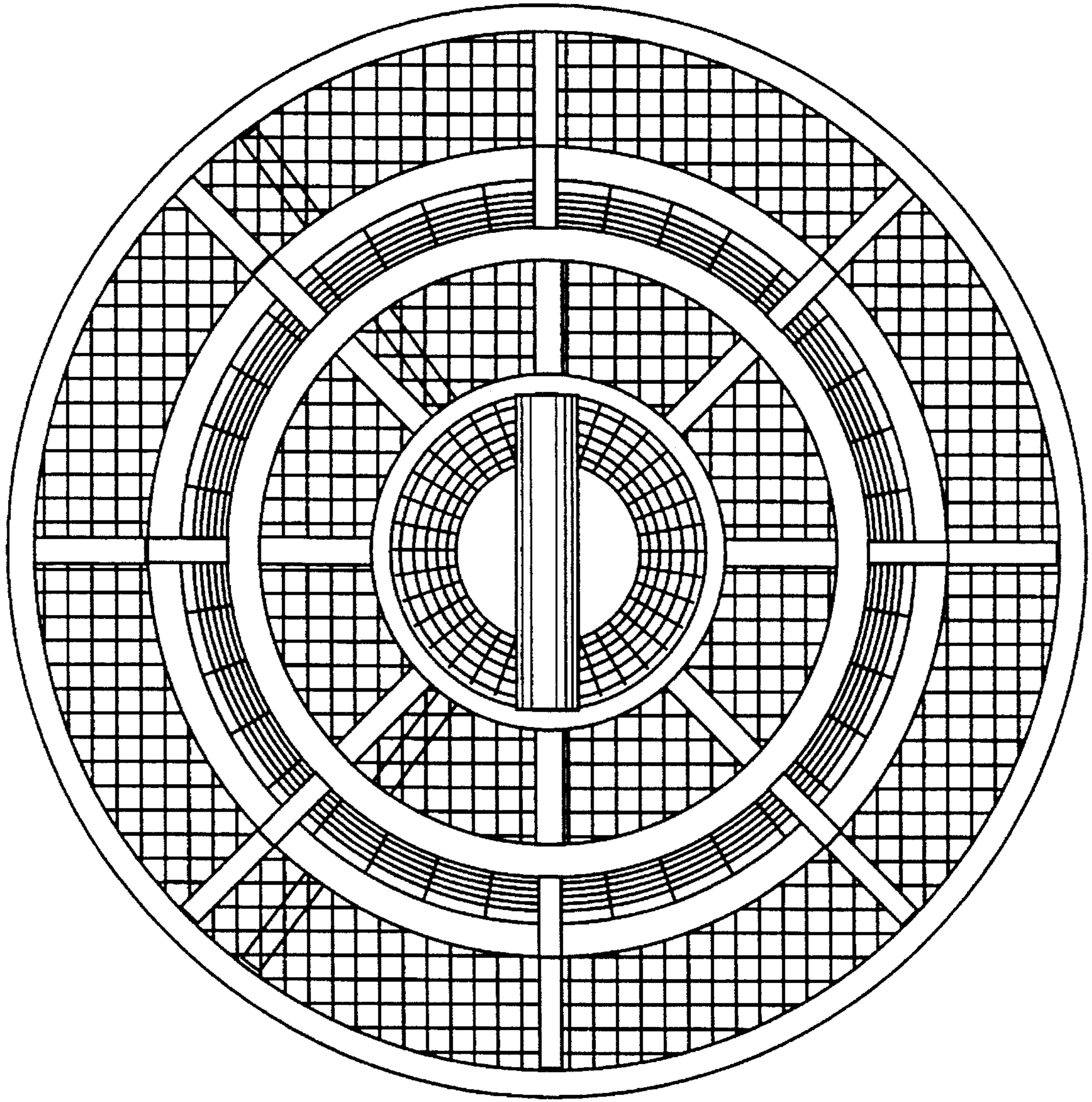


FIG. 3

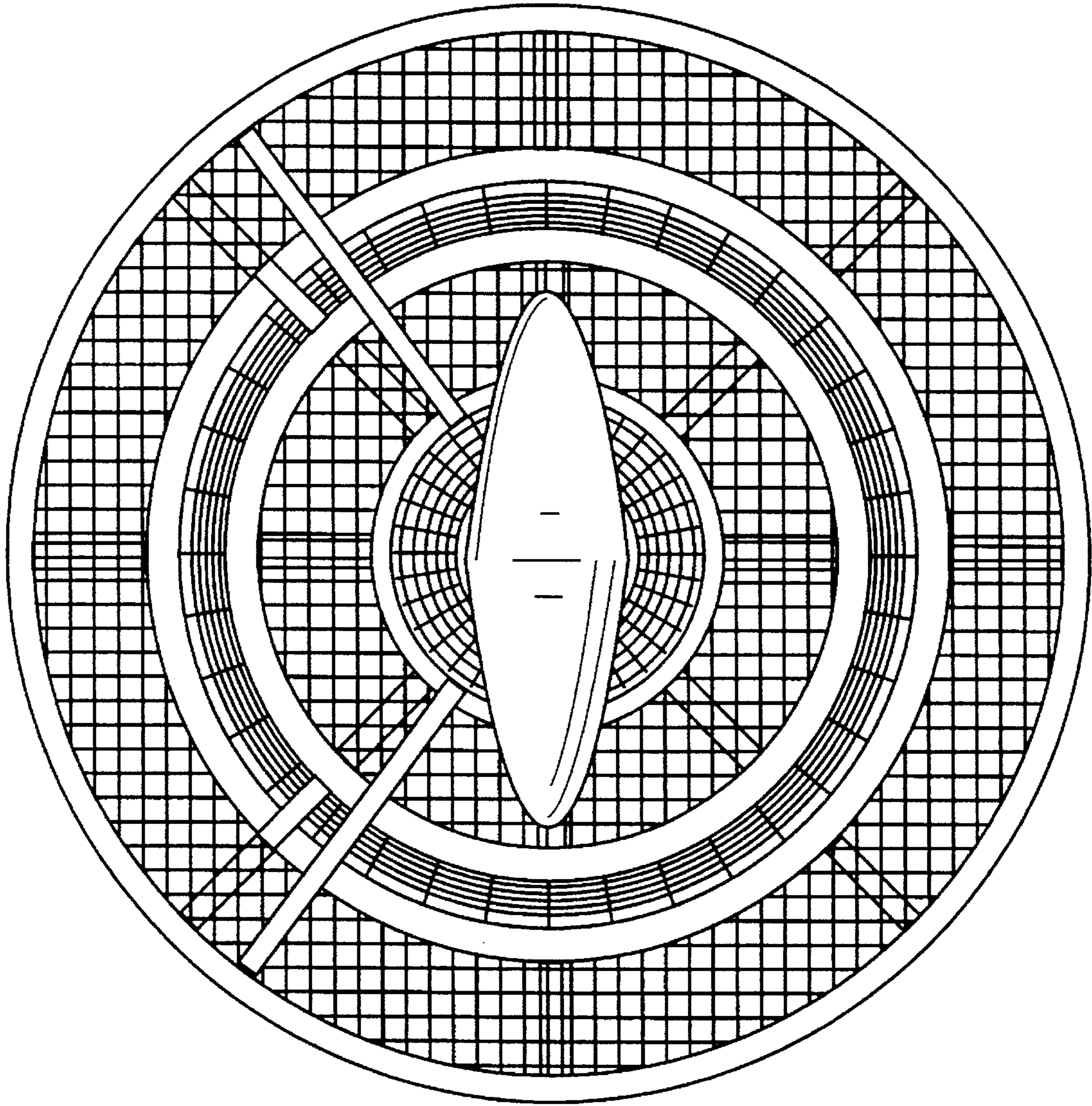


FIG. 4

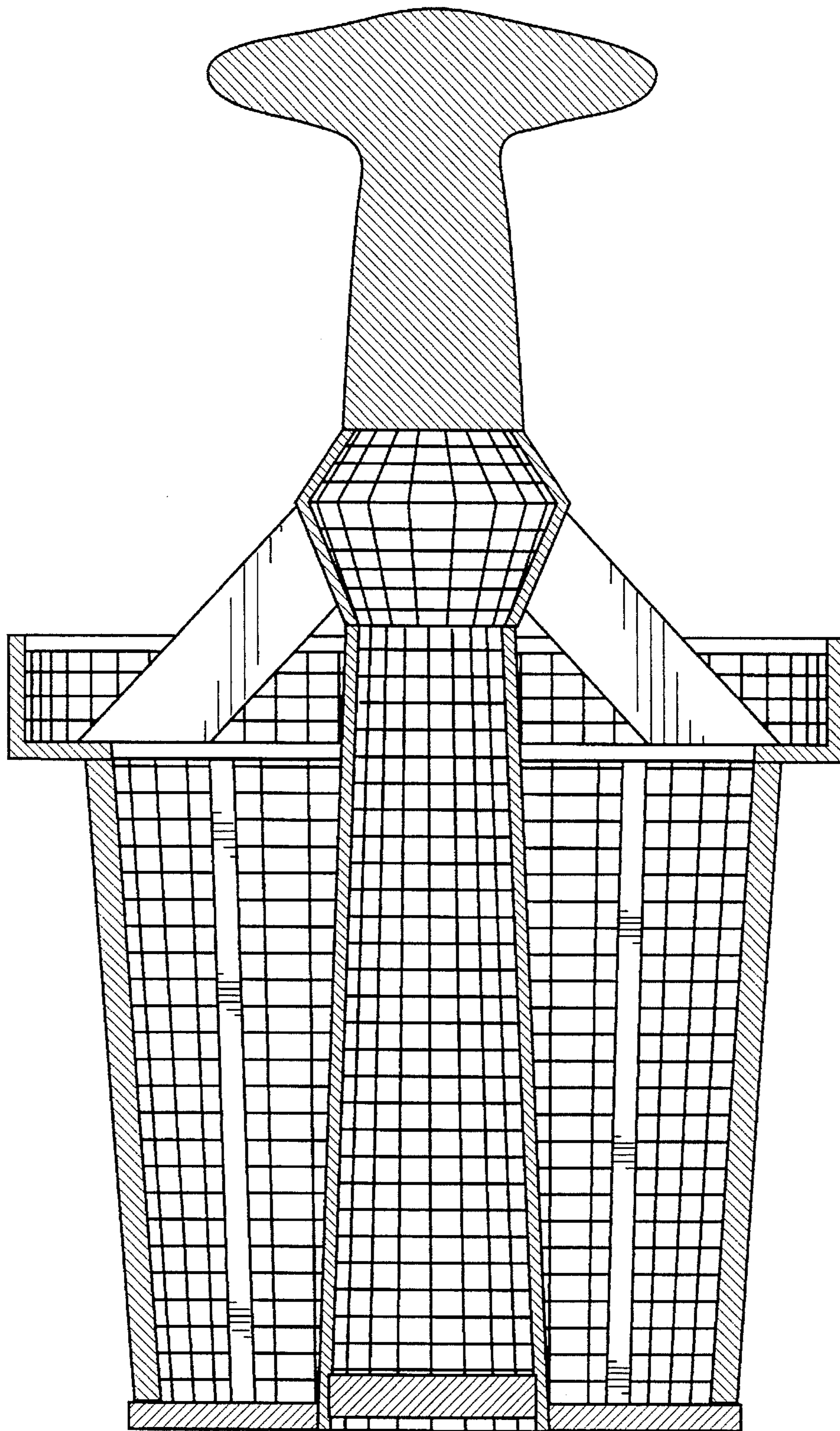


FIG.5