



US00D377247S

United States Patent [19]

[11] Patent Number: **Des. 377,247**

Albert

[45] Date of Patent: ****Jan. 7, 1997**

[54] **COMBINED ANIMAL WASTE COLLECTOR AND FLASHLIGHT**

5,190,326	3/1993	Nunn	294/1.3
5,239,451	8/1993	Menke et al.	362/208
5,382,063	1/1995	Wesener et al.	294/55

[76] Inventor: **Larry L. Albert**, P.O. Box 2045, Anna Maria, Fla. 34216

FOREIGN PATENT DOCUMENTS

[**] Term: **14 Years**

2243535 11/1991 United Kingdom 295/1.3

[21] Appl. No.: **48,229**

Primary Examiner—Cathy Anne MacCormac
Attorney, Agent, or Firm—Charles J. Prescott

[22] Filed: **Dec. 22, 1995**

[57] CLAIM

[52] U.S. Cl. **D30/162**; 294/1.3; D26/38

The ornamental design for combined animal waste collector and flashlight, as shown and described.

[58] **Field of Search** D30/161; 294/13, 294/55, 1.1; 15/257.3, 257.4, 257.6; D34/5, 6, 11; D26/37-38, 50-51, 49; 362/157-158, 183, 200-208

DESCRIPTION

[56] References Cited

FIG. 1 is a left front perspective view of combined animal waste collector and flashlight showing my new design; FIG. 2 is a right front perspective view thereof; FIG. 3 is a left rear perspective view thereof; FIG. 4 is a left side elevation view thereof; FIG. 5 is a right side elevation view thereof; FIG. 6 is a top plan view thereof; FIG. 7 is a bottom plan view thereof; FIG. 8 is a front elevation view thereof; and, FIG. 9 is a rear elevation view thereof.

U.S. PATENT DOCUMENTS

D. 106,002	9/1937	Swanson	D26/51
D. 267,819	2/1983	Birns	D26/37
D. 310,436	9/1990	Krauth	D30/161
D. 334,638	4/1993	Blackman	D30/162
2,967,729	1/1961	Davis	294/55
3,233,092	2/1966	Umholtz	362/183
4,092,580	5/1978	Prinsze	362/183
4,656,566	4/1987	Kelley	362/202

1 Claim, 4 Drawing Sheets

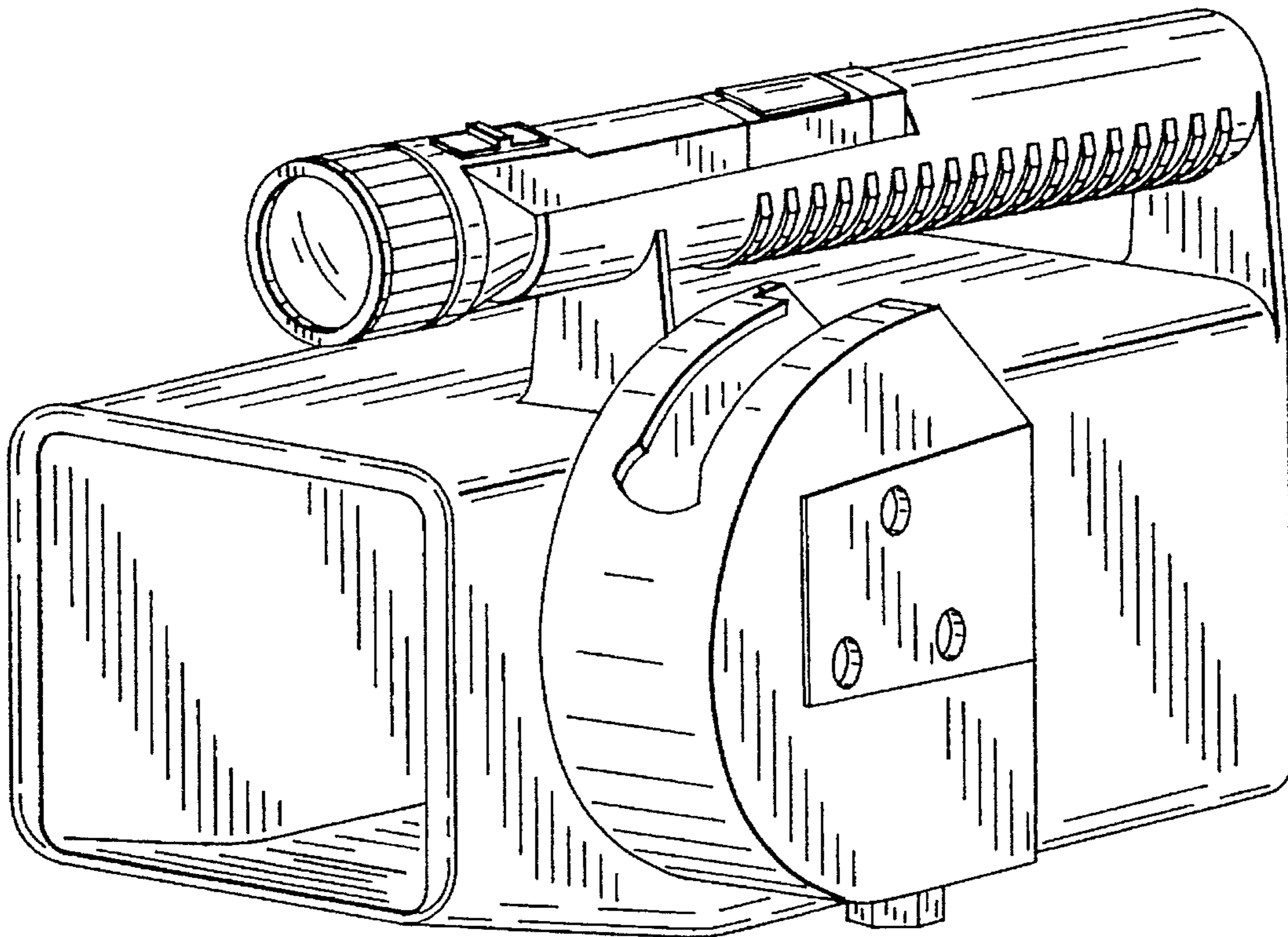


FIG. 1

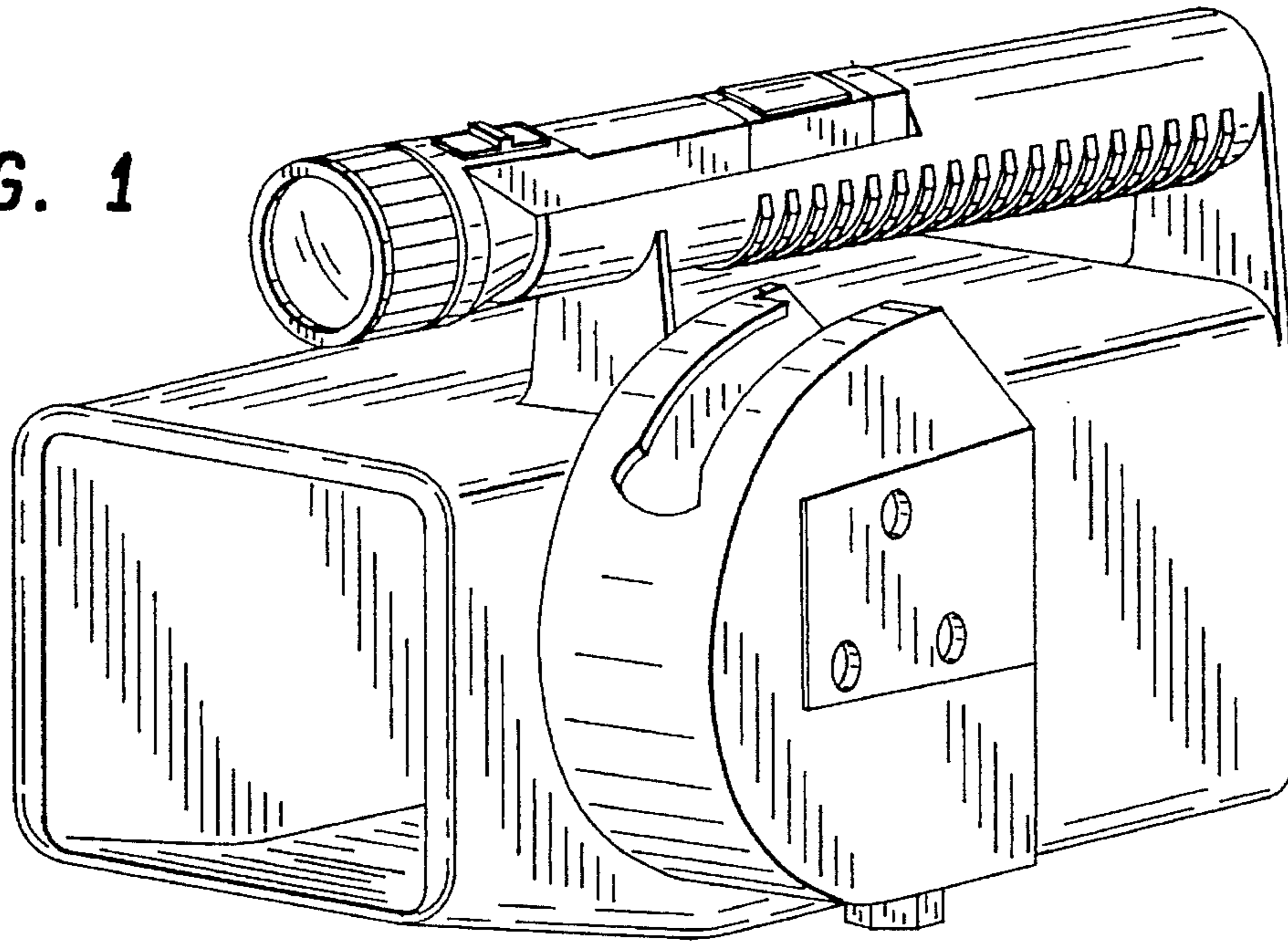
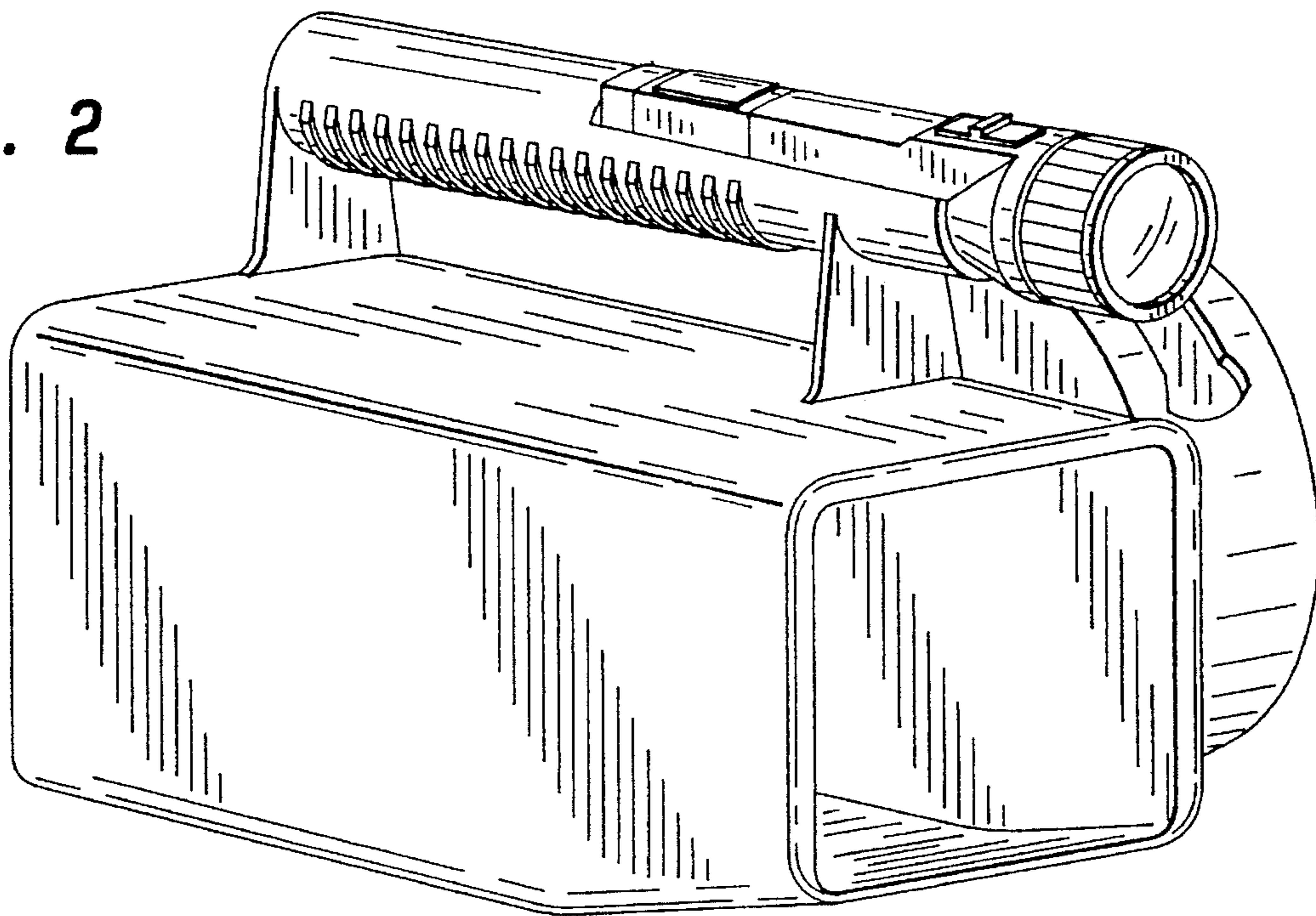


FIG. 2



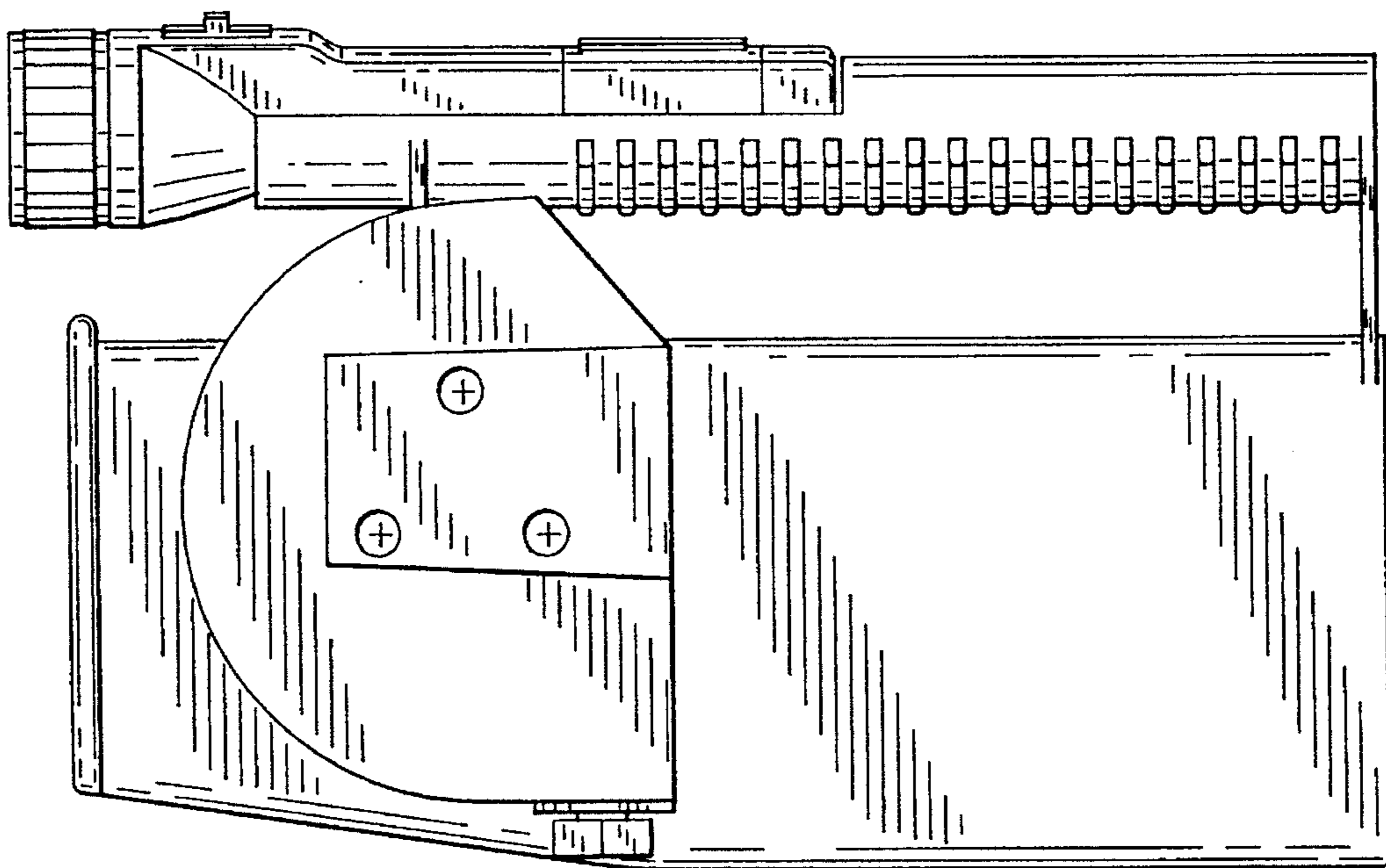
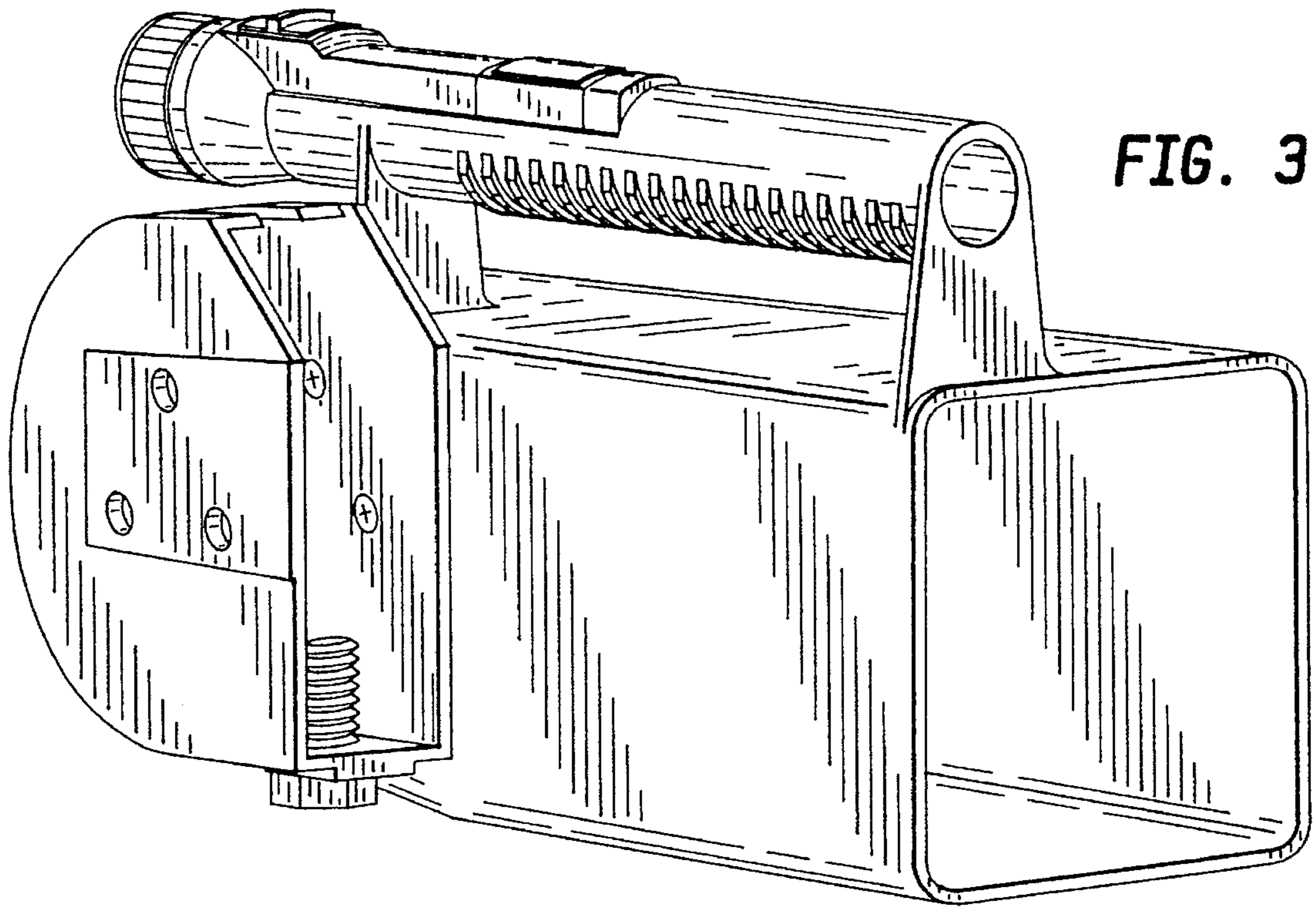


FIG. 4

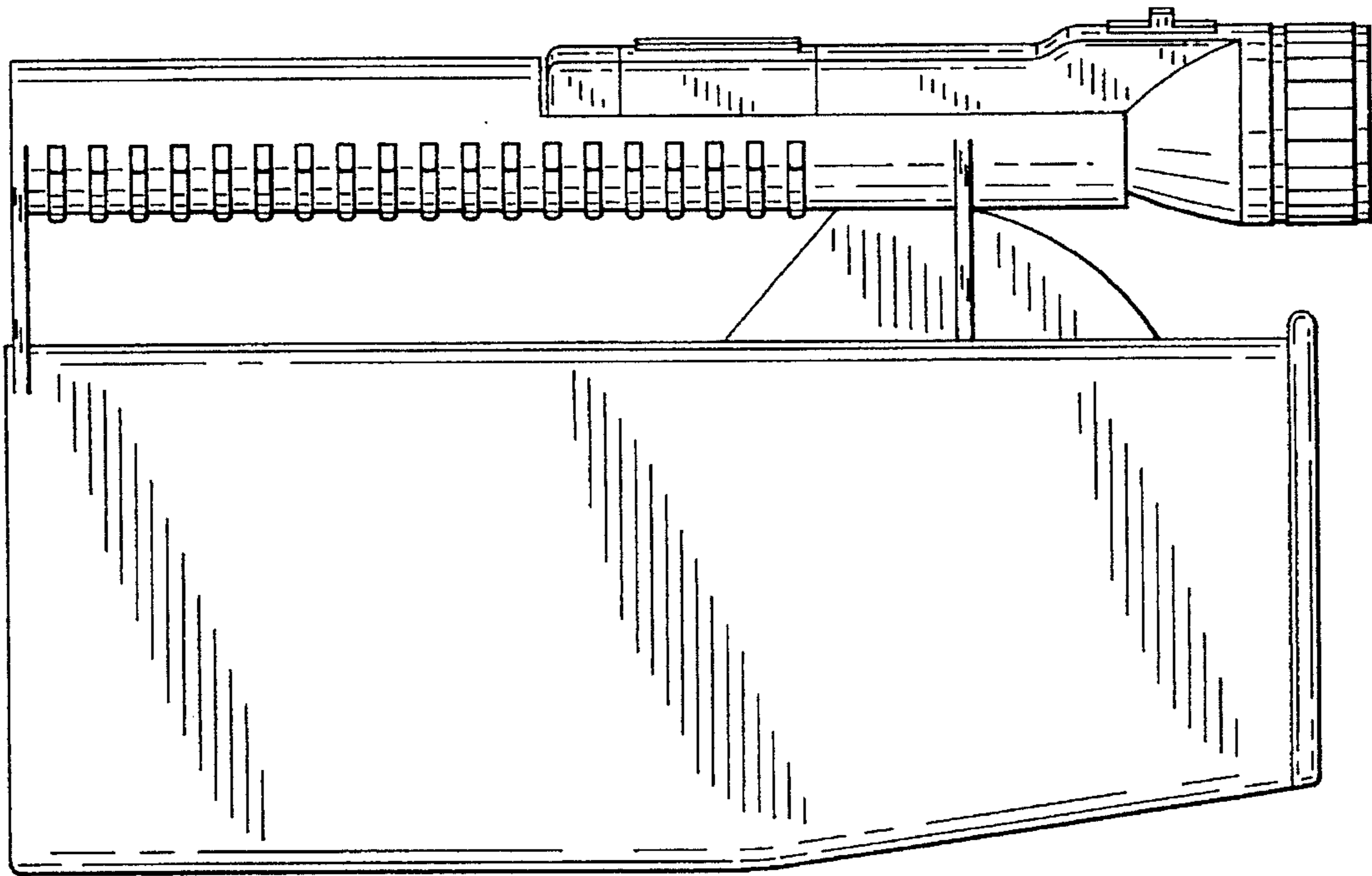


FIG. 5

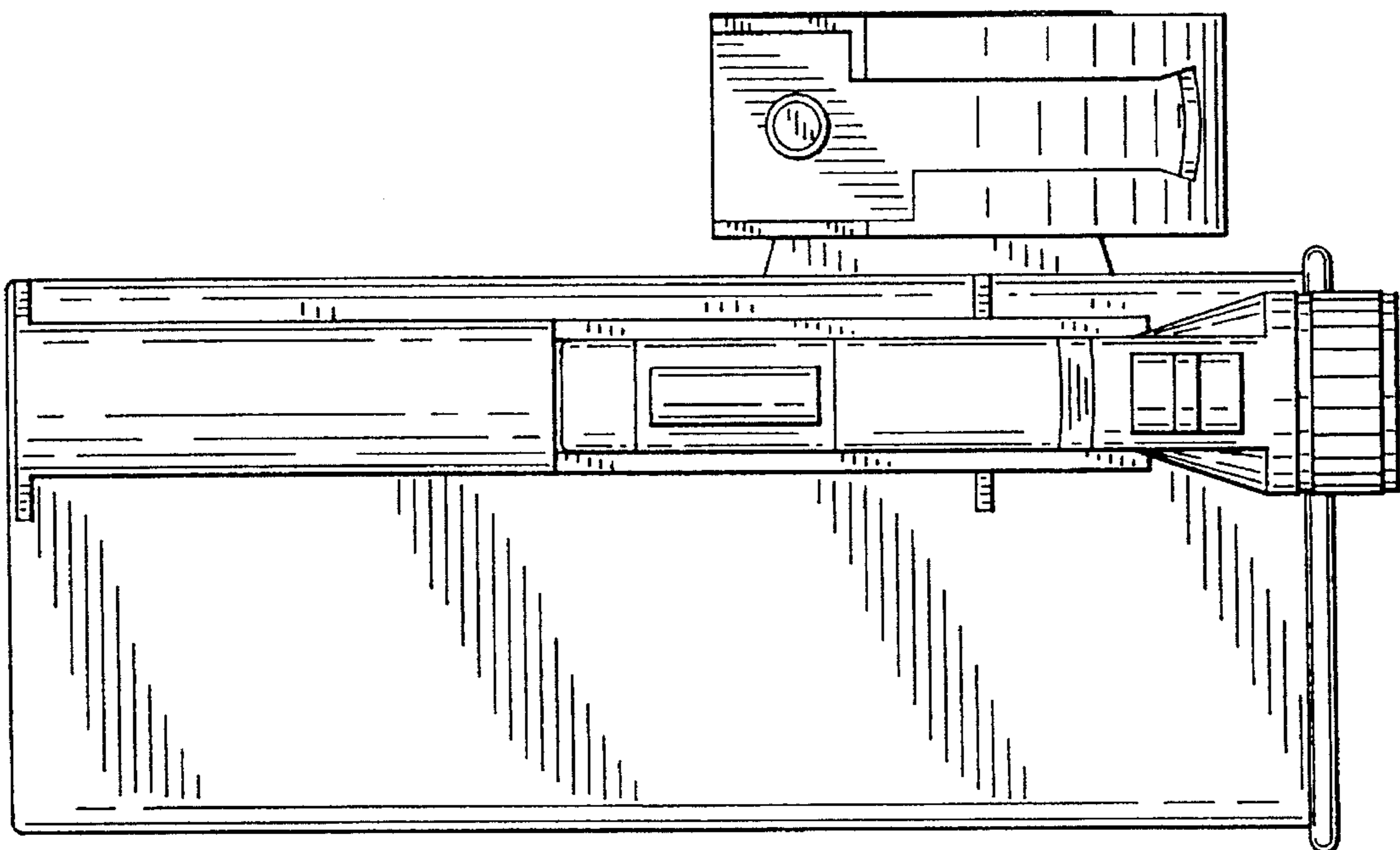


FIG. 6

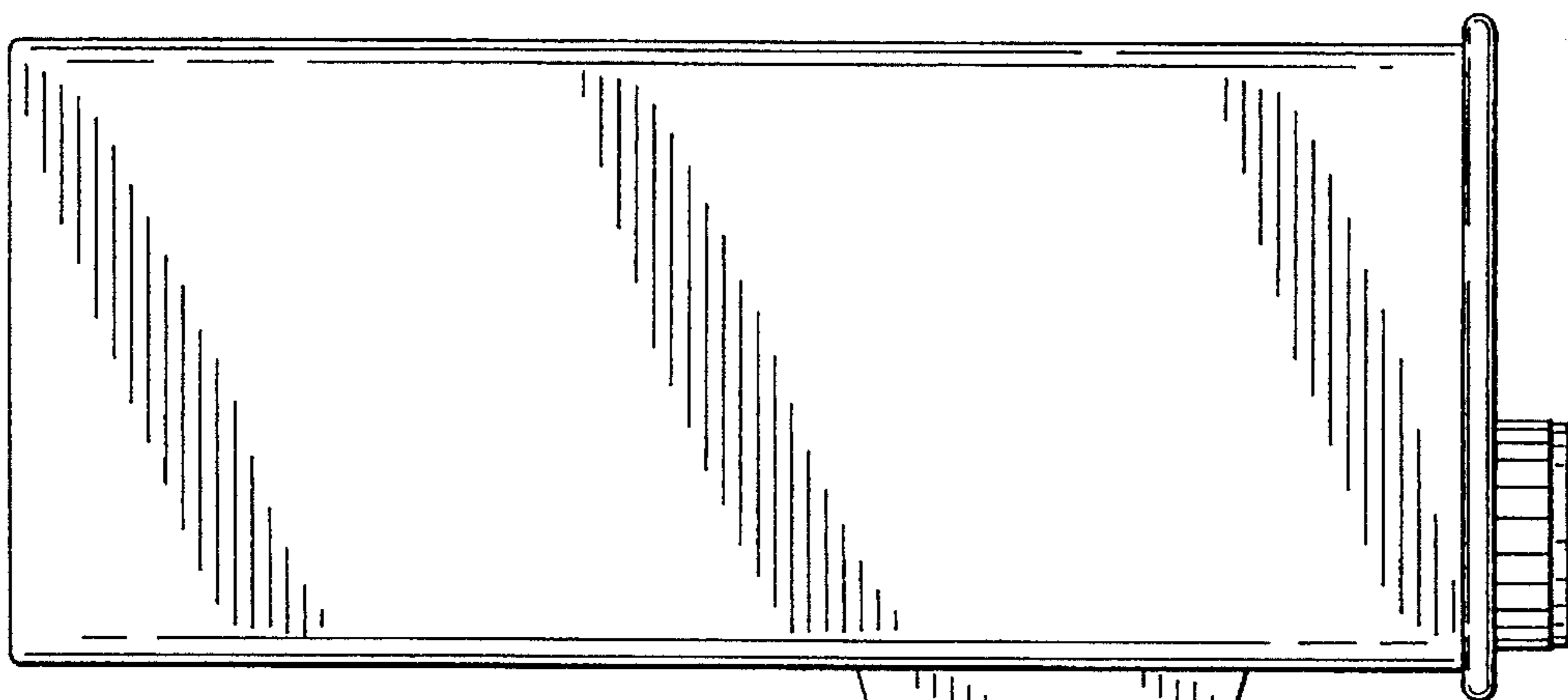


FIG. 7

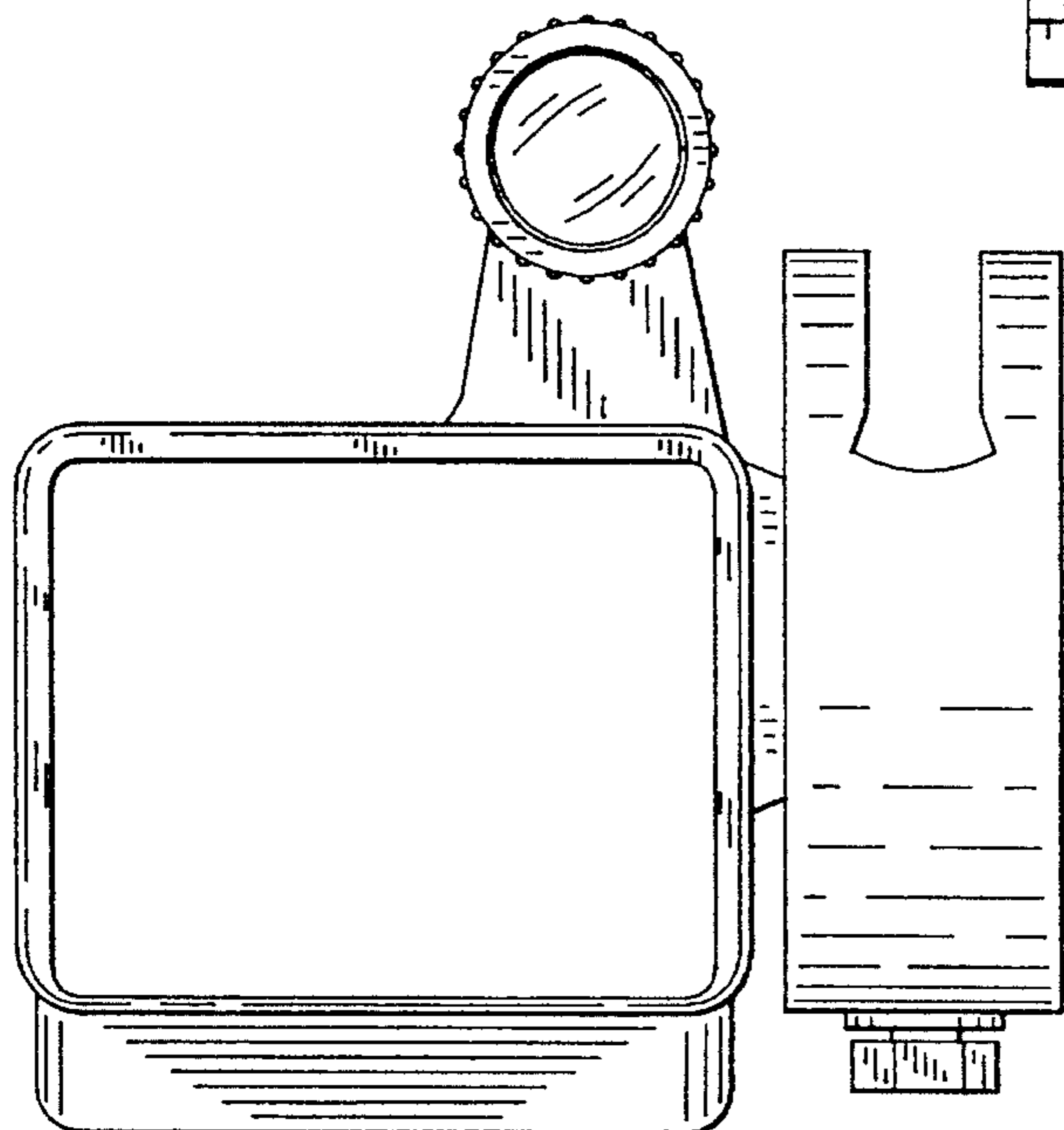
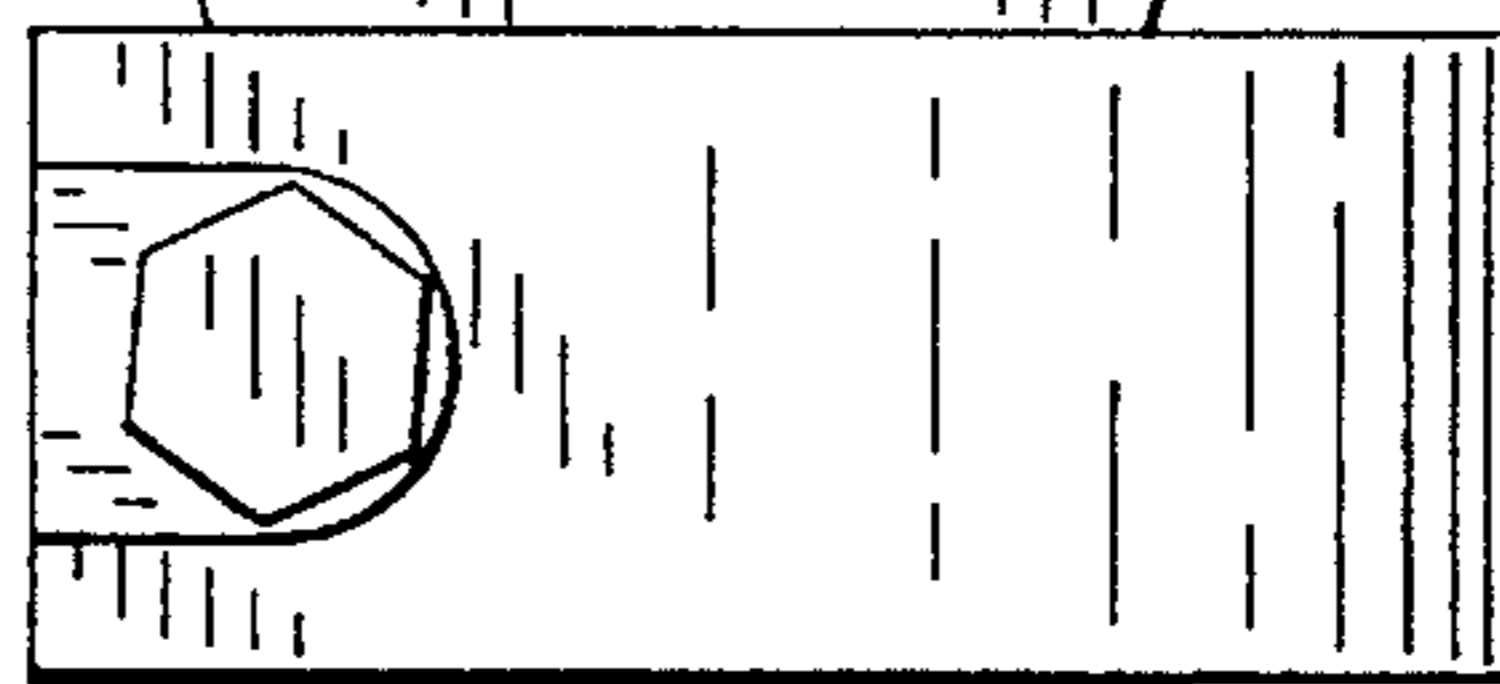


FIG. 8

FIG. 9

