



US00D377244S

# United States Patent [19] Steininger

[11] **Patent Number:** **Des. 377,244**

[45] **Date of Patent:** **\*\*Jan. 7, 1997**

[54] **PET DINING TABLE**

[76] **Inventor:** **Allen F. Steininger**, 7602 - 125th Street, Surrey, British Columbia, Canada, V3W 7W3

[\*\*] **Term:** **14 Years**

[21] **Appl. No.:** **48,409**

[22] **Filed:** **Dec. 28, 1995**

[52] **U.S. Cl.** ..... **D30/133**

[58] **Field of Search** ..... D30/128-133;  
119/51.01, 52.1, 57.5, 58, 60-61, 68-69;  
248/311.2-311.3, 95, 97, 99-101, 105,  
107, 318, 907; D6/403-405, 566; D7/599-600,  
590, 624-625, 616; 211/181

[56] **References Cited**

### U.S. PATENT DOCUMENTS

D. 89,262	2/1933	Nunimaker	.....	D30/133 X
D. 105,450	7/1937	Clifton	.....	D30/133 X
D. 293,947	1/1988	Yunker	.....	D30/133
D. 315,974	4/1991	Steiner	.....	D30/133
D. 319,901	9/1991	Steiner	.....	D30/131

D. 335,007	4/1993	McPhee	.....	D30/133
D. 340,552	10/1993	Smith	.....	D30/133 X
D. 342,350	12/1993	Gower	.....	D30/133
2,845,896	8/1958	Copeland	.....	119/51.01
3,651,787	3/1972	Cooper	.....	119/51.01
4,044,723	8/1977	Fitzpatrick	.....	119/61
4,065,195	12/1977	Fahmie	.....	119/51.01 X
4,633,815	1/1987	Peterson et al.	.....	119/51.01 X
4,699,089	10/1987	Teschke	.....	119/51.01

*Primary Examiner*—B. J. Bullock  
*Assistant Examiner*—Stacia Sinuik  
*Attorney, Agent, or Firm*—Oyen Wiggs Green & Mutala

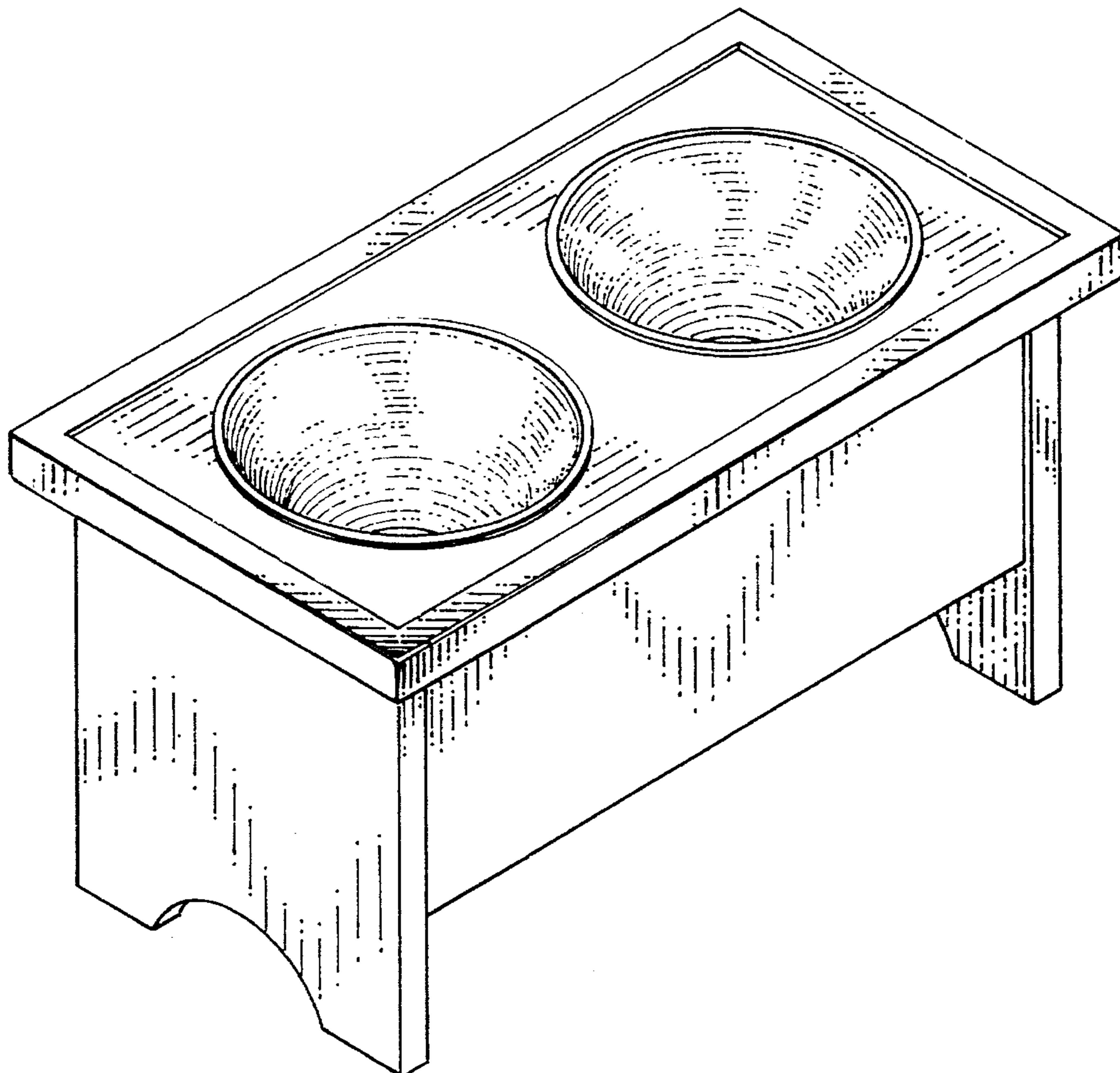
### [57] CLAIM

The ornamental design for a pet dining table, as shown and described.

### DESCRIPTION

FIG. 1 is an isometric view;  
FIG. 2 is a top plan view;  
FIG. 3 is a side elevation view;  
FIG. 4 is an end elevation view; and,  
FIG. 5 is a bottom plan view.

**1 Claim, 2 Drawing Sheets**



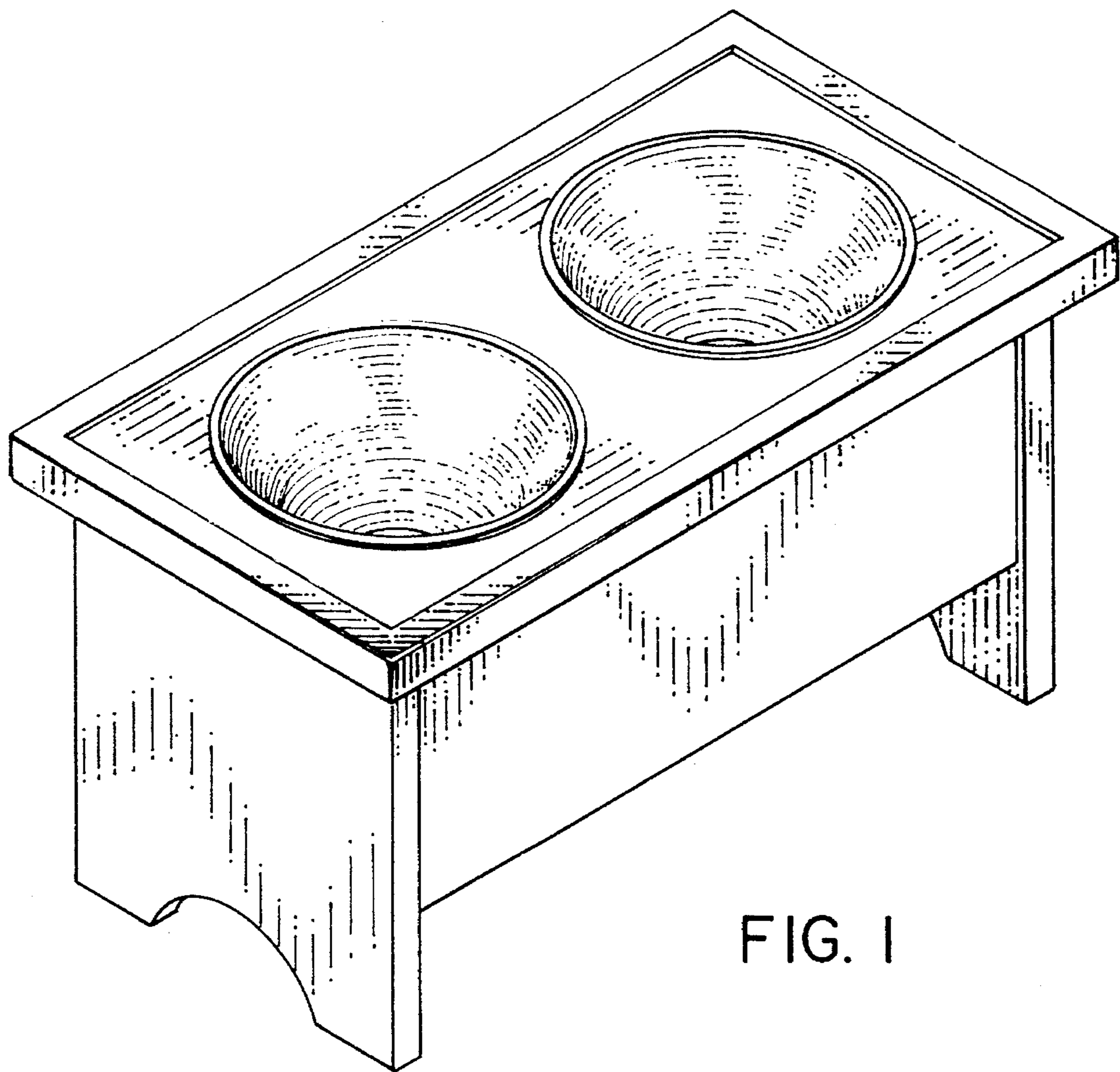


FIG. 1

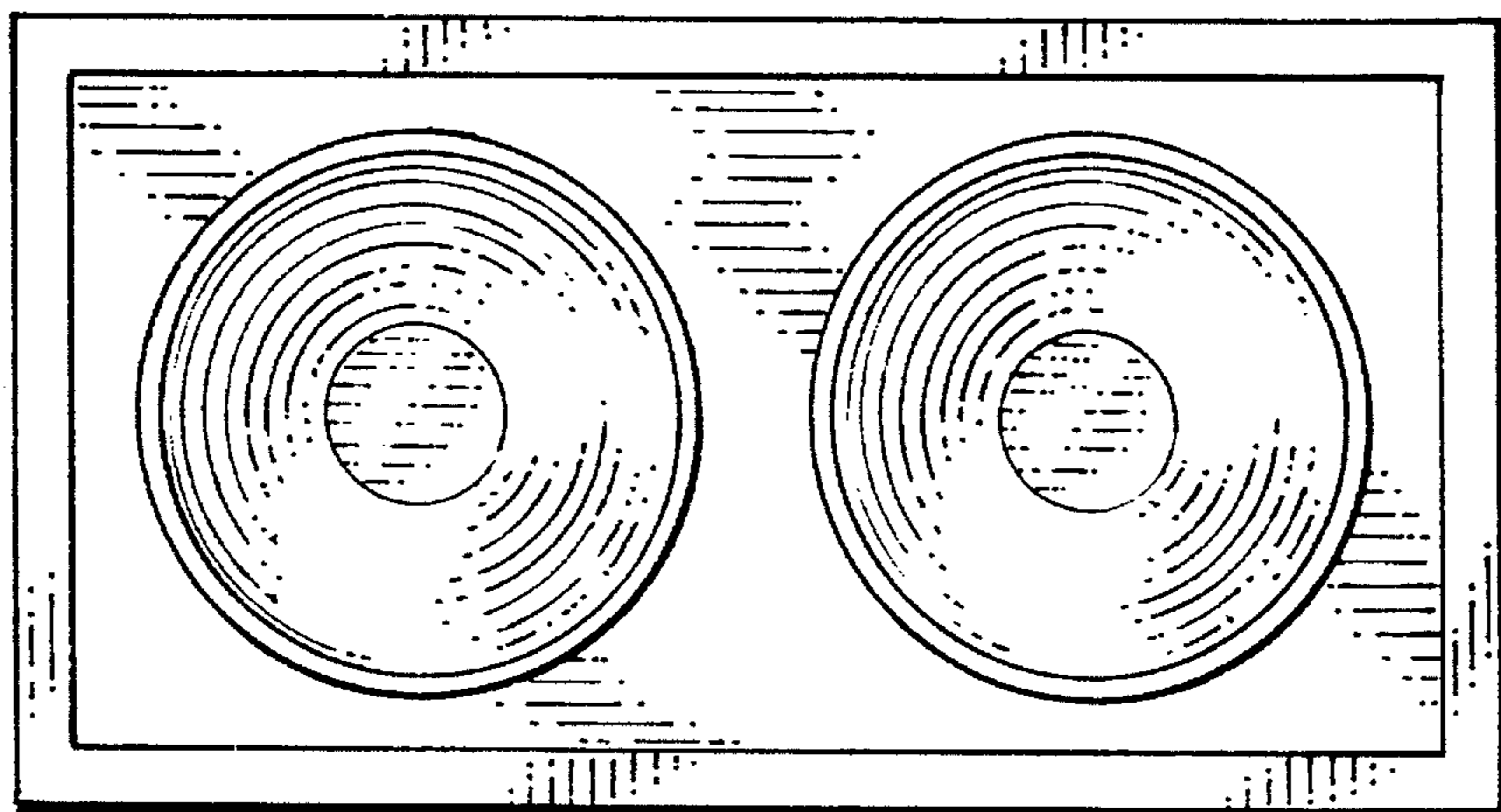


FIG. 2

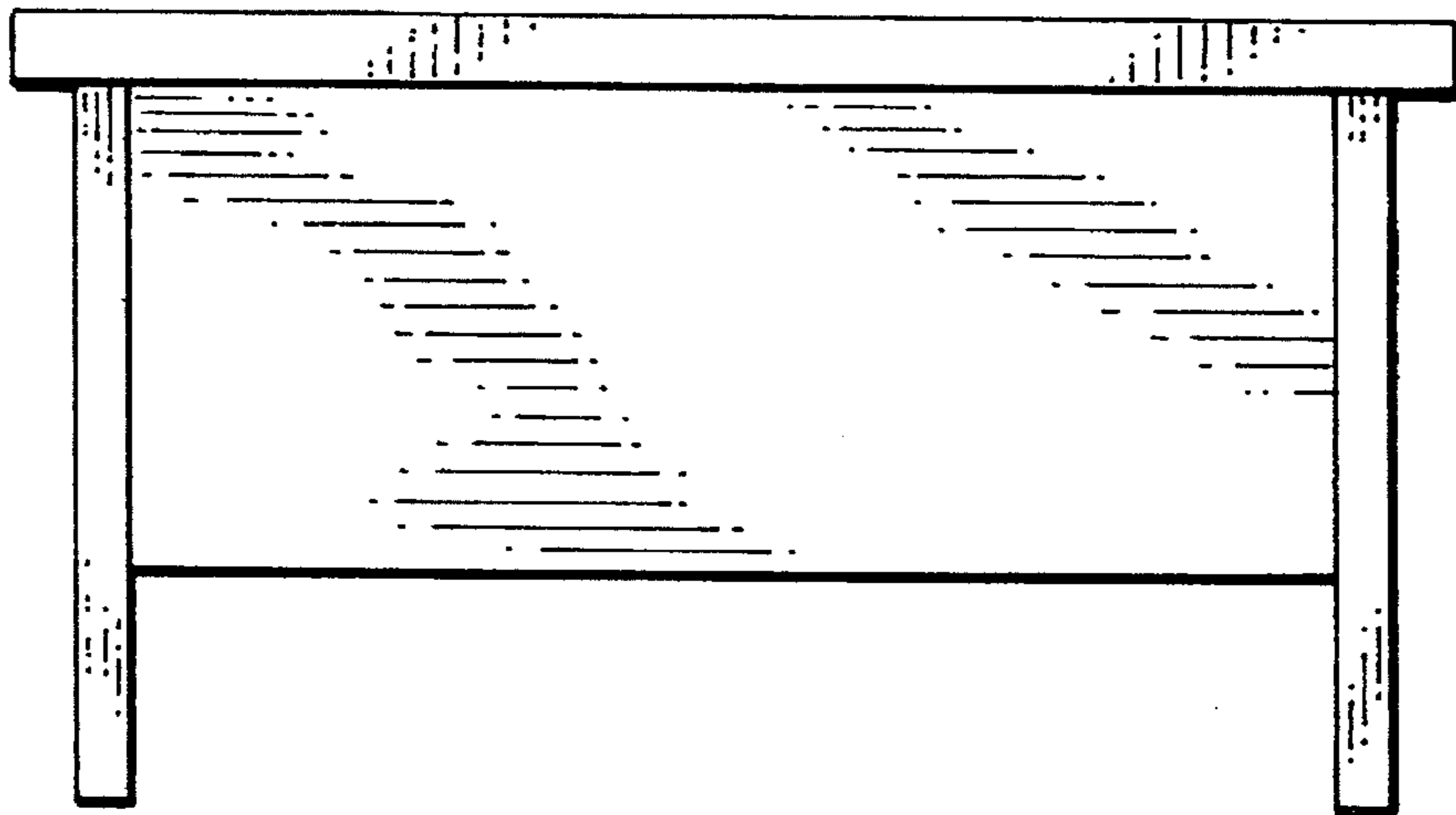


FIG. 3

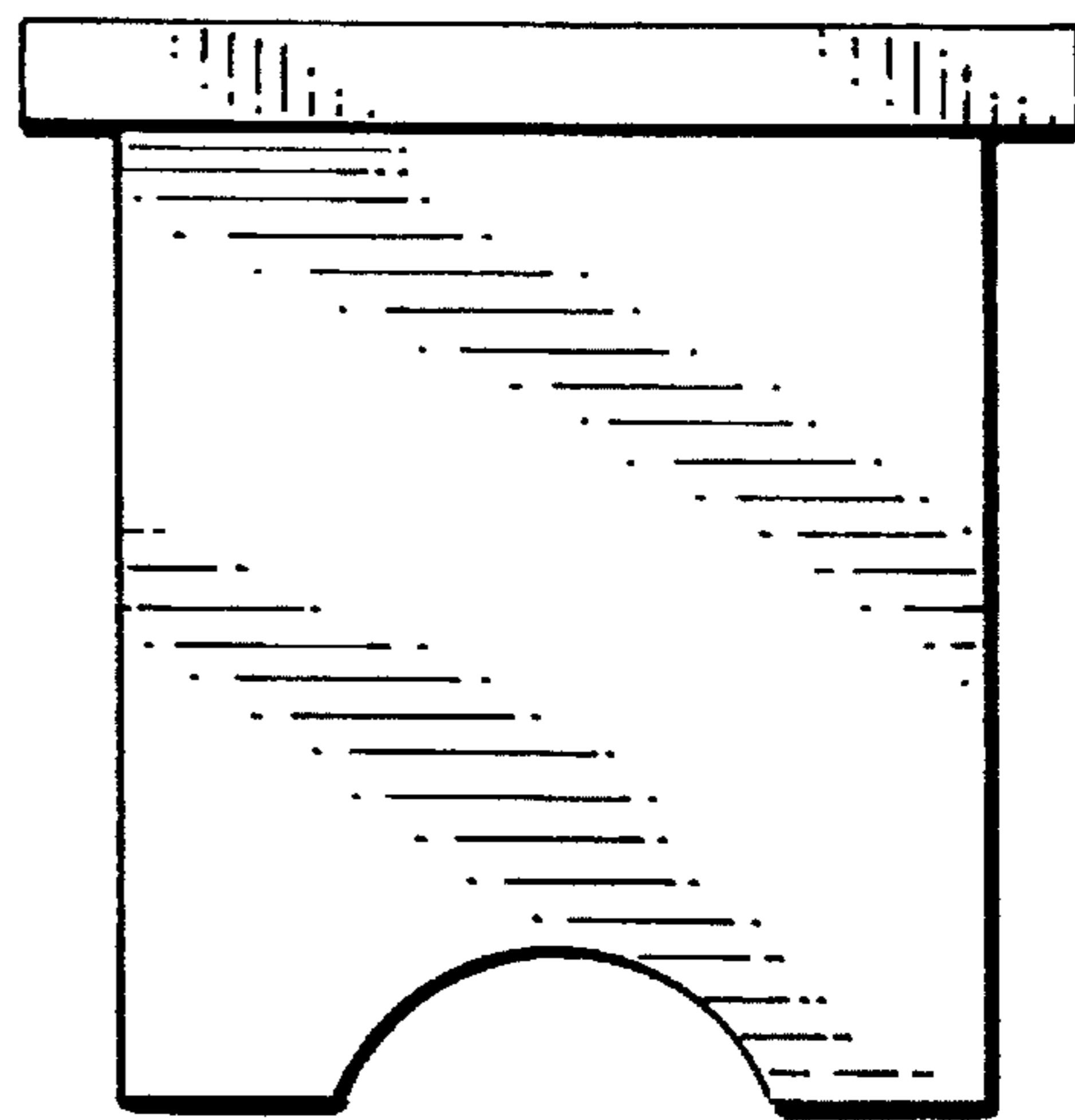


FIG. 4

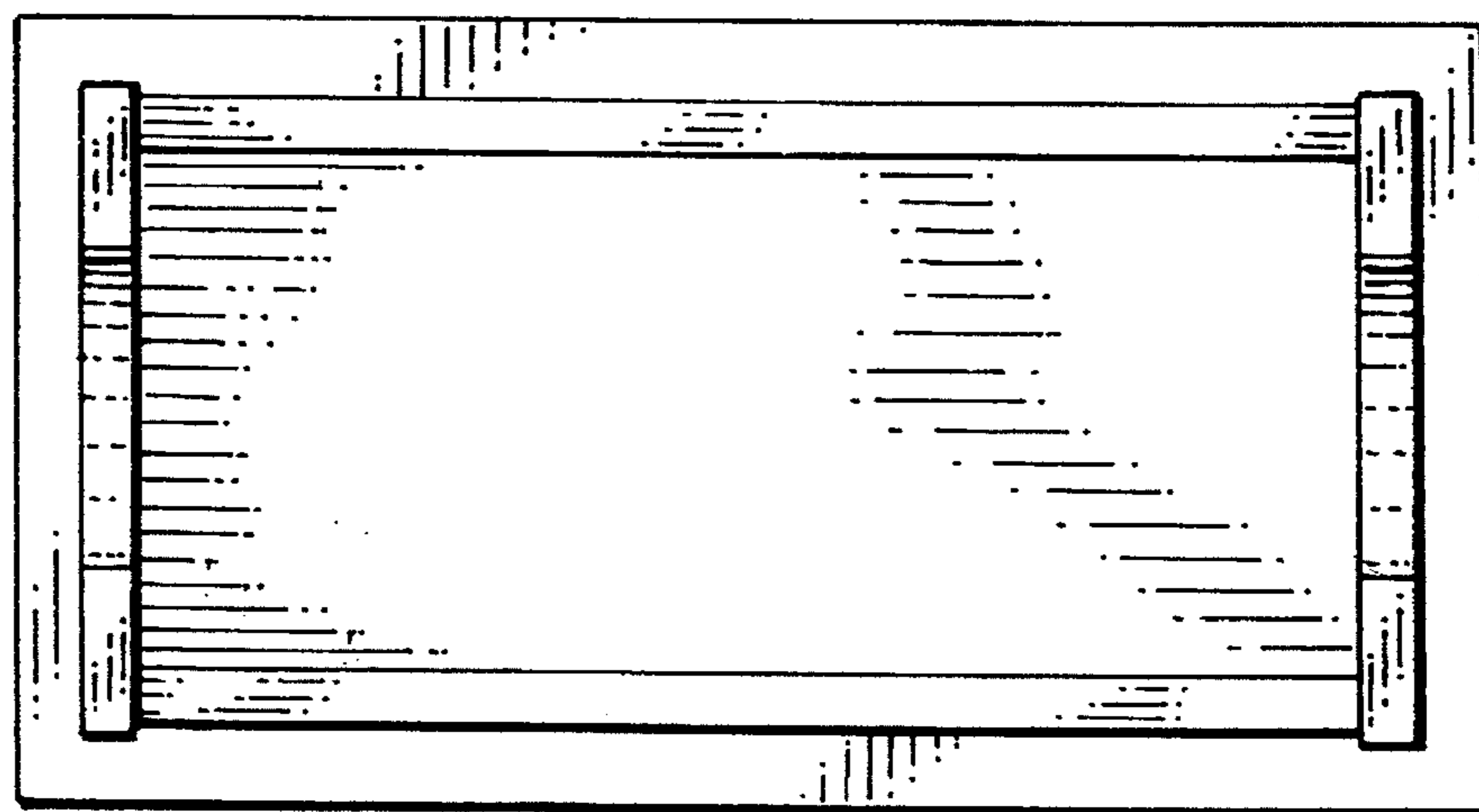


FIG. 5