



US00D377243S

**United States Patent** [19]  
**Fiveash**

[11] **Patent Number:** **Des. 377,243**  
[45] **Date of Patent:** **\*\*Jan. 7, 1997**

[54] **ANIMAL FEEDER**  
[76] **Inventor:** **Ramon A. Fiveash**, 5938 Woodway Pl.  
Ct., Houston, Tex. 77057  
[\*\*] **Term:** **14 Years**  
[21] **Appl. No.:** **39,696**  
[22] **Filed:** **Jun. 2, 1995**  
[52] **U.S. Cl.** ..... **D30/130**  
[58] **Field of Search** ..... 119/61, 51.5, 57.9,  
119/475; D30/121, 129, 130; D7/503

5,113,798 5/1992 Rera ..... 119/51.5  
5,125,363 6/1992 McGaha ..... 119/51.5  
5,165,365 11/1992 Thompson ..... 119/61  
5,205,242 4/1993 Kasselmann ..... 119/61  
5,245,948 9/1993 McClellan ..... 119/51.5  
5,253,609 10/1993 Partelow et al. .... 119/61  
5,277,149 1/1994 East ..... 119/51.5  
5,421,289 4/1995 Campellaro ..... 119/475  
5,467,738 11/1995 Cass ..... 119/61

**FOREIGN PATENT DOCUMENTS**

387564 9/1990 European Pat. Off. .... 119/61  
1133174 7/1962 Germany .  
1344267 1/1974 United Kingdom .  
2220835 1/1990 United Kingdom ..... 119/61

[56] **References Cited**

**U.S. PATENT DOCUMENTS**

D. 230,035 1/1974 Bowman ..... D30/122  
D. 273,430 4/1984 Salinas ..... D30/130  
D. 289,208 4/1987 Fanciullo ..... D30/129  
D. 296,371 6/1988 Lorenzana et al. .... D30/122  
D. 309,845 8/1990 Pozzi ..... D7/503  
D. 316,382 4/1991 Lorenzana et al. .... D30/132  
D. 332,846 1/1993 Geuvjehizian ..... D30/122  
D. 338,285 8/1993 Chrisco ..... D30/121  
D. 338,288 8/1993 Key ..... D30/129  
D. 342,352 12/1993 Embrey ..... D30/129  
2,784,520 3/1957 Johnson ..... 43/121  
2,887,988 5/1959 Cottongim ..... 119/57.9  
2,937,617 5/1960 Brody et al. .... 119/51.5  
3,441,003 4/1969 DuMond et al. .... 119/61  
4,128,080 1/1978 Haney ..... 119/51.5  
4,399,772 8/1983 Salinas ..... 119/51.5  
4,802,302 2/1989 Alnafissa ..... 43/121  
4,896,627 1/1990 Riddell ..... 119/51.5  
4,981,108 1/1991 Faeroe ..... 119/61  
5,031,575 7/1991 Phillips ..... 119/61  
5,069,166 12/1991 Ahuna ..... 119/61  
5,069,167 12/1991 Kasselmann ..... 119/61

*Primary Examiner*—Cathy Anne MacCormac  
*Attorney, Agent, or Firm*—Pravel, Hewitt, Kimball &  
Krieger

[57] **CLAIM**

The ornamental design for animal feeder, as shown and described.

**DESCRIPTION**

FIG. 1 is a top plan view of the animal feeder showing my new design;  
FIG. 2 is a front elevational view thereof;  
FIG. 3 is a left side elevational view thereof;  
FIG. 4 is a rear elevational view thereof;  
FIG. 5 is a right side elevational view thereof;  
FIG. 6 is a cross sectional view taken along line 6—6 of FIG. 1; and,  
FIG. 7 is a top plan view of the animal feeder showing the stored position of the components of the animal feeder.

**1 Claim, 2 Drawing Sheets**

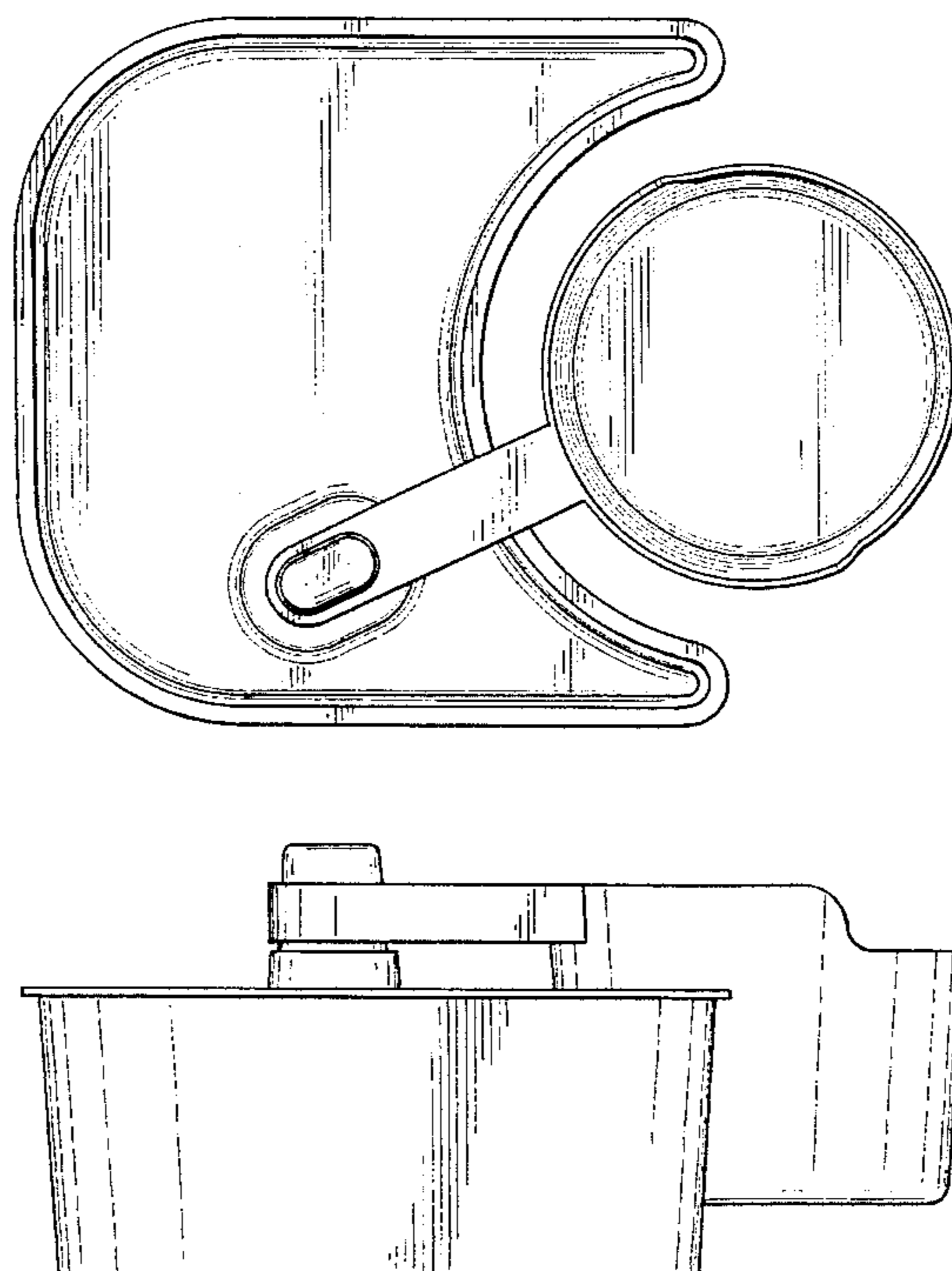


FIG. 1

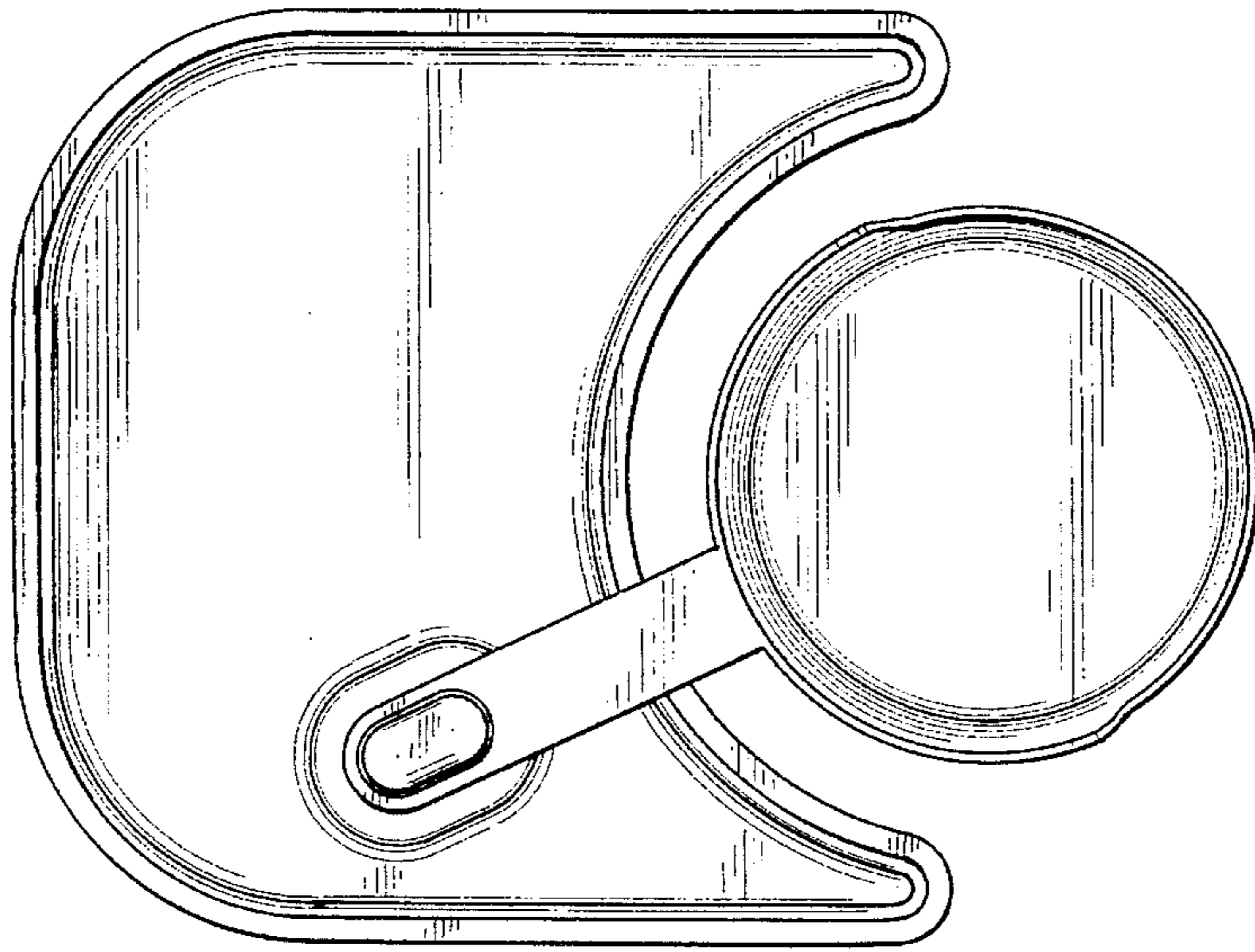
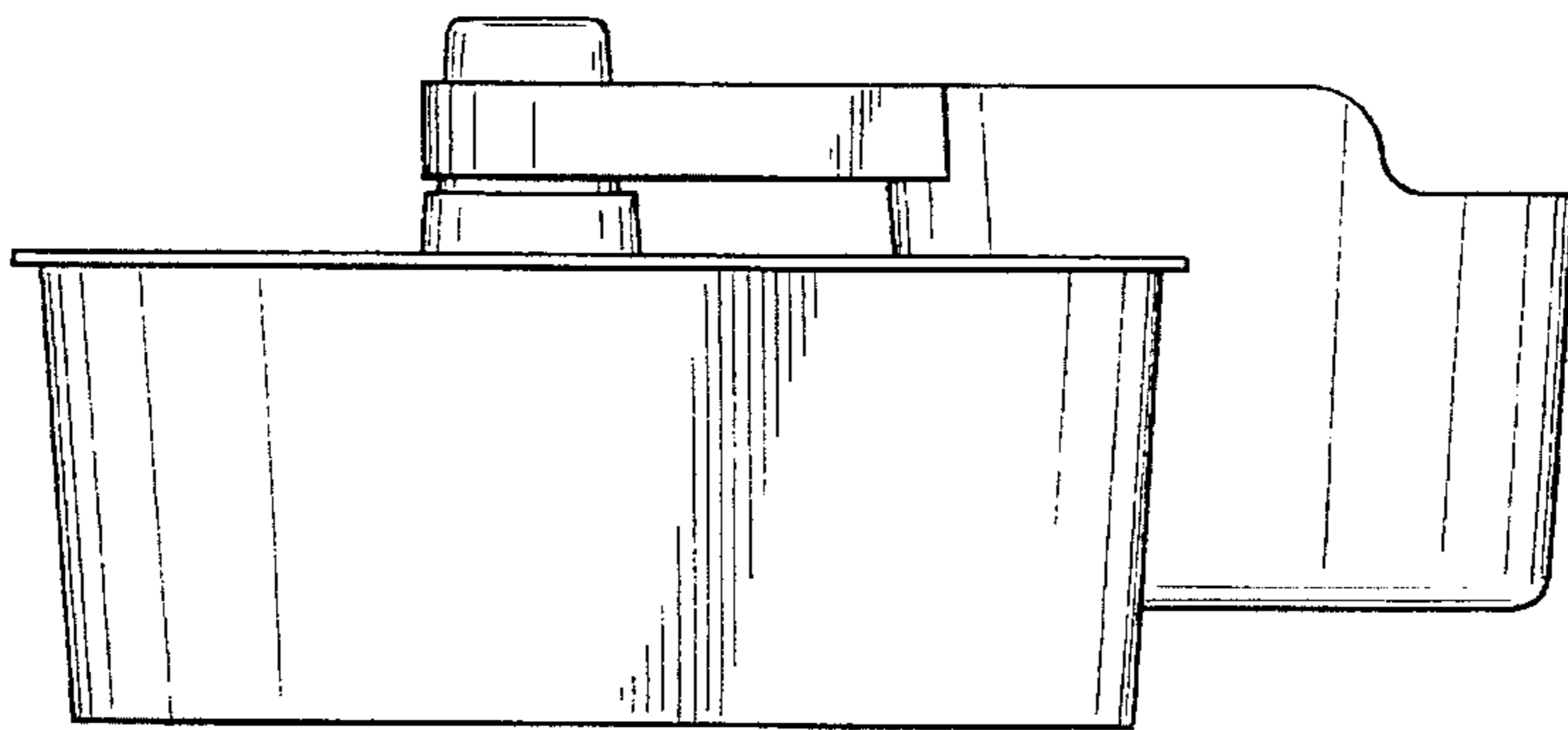
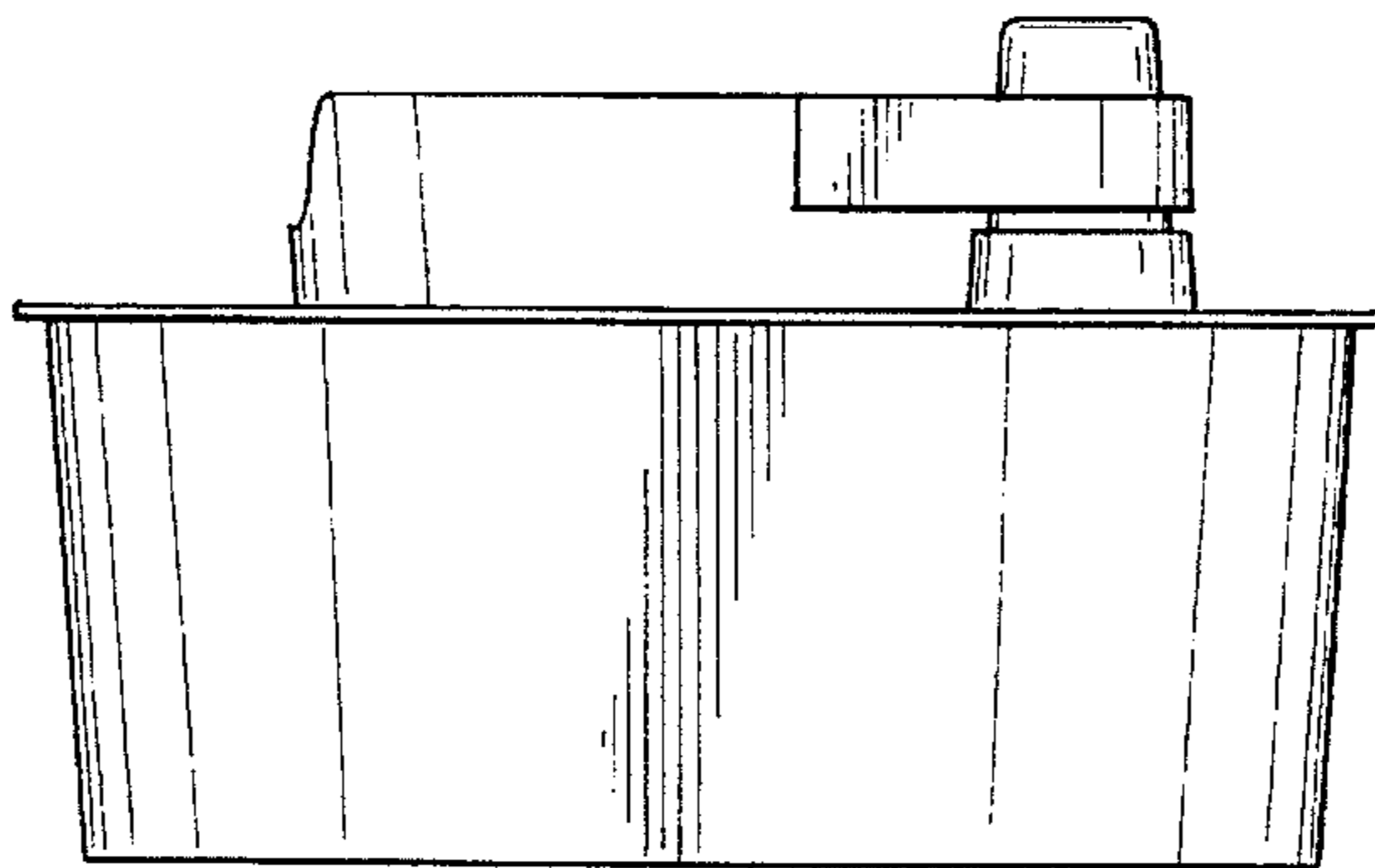


FIG. 2



6

FIG. 3



6

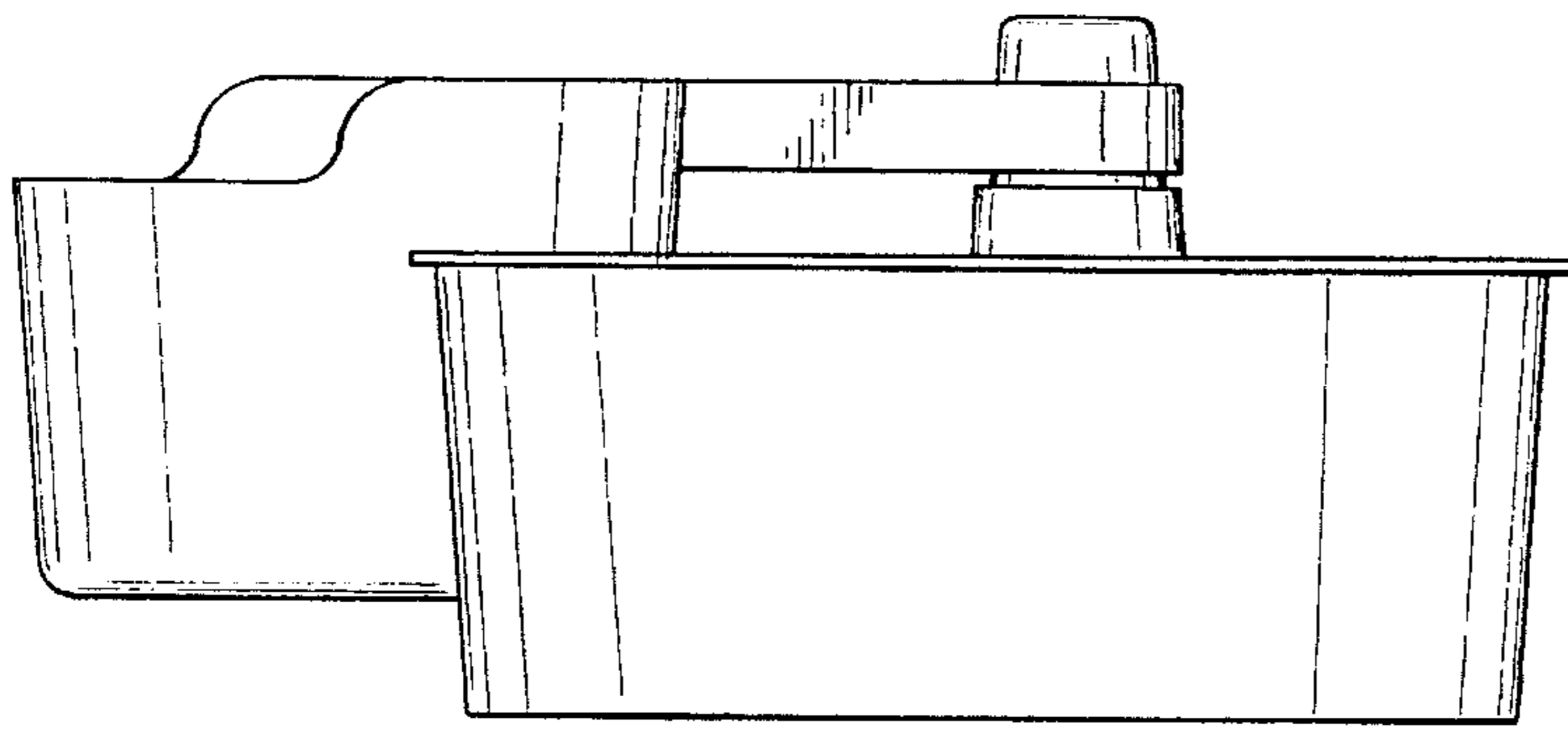


FIG. 4

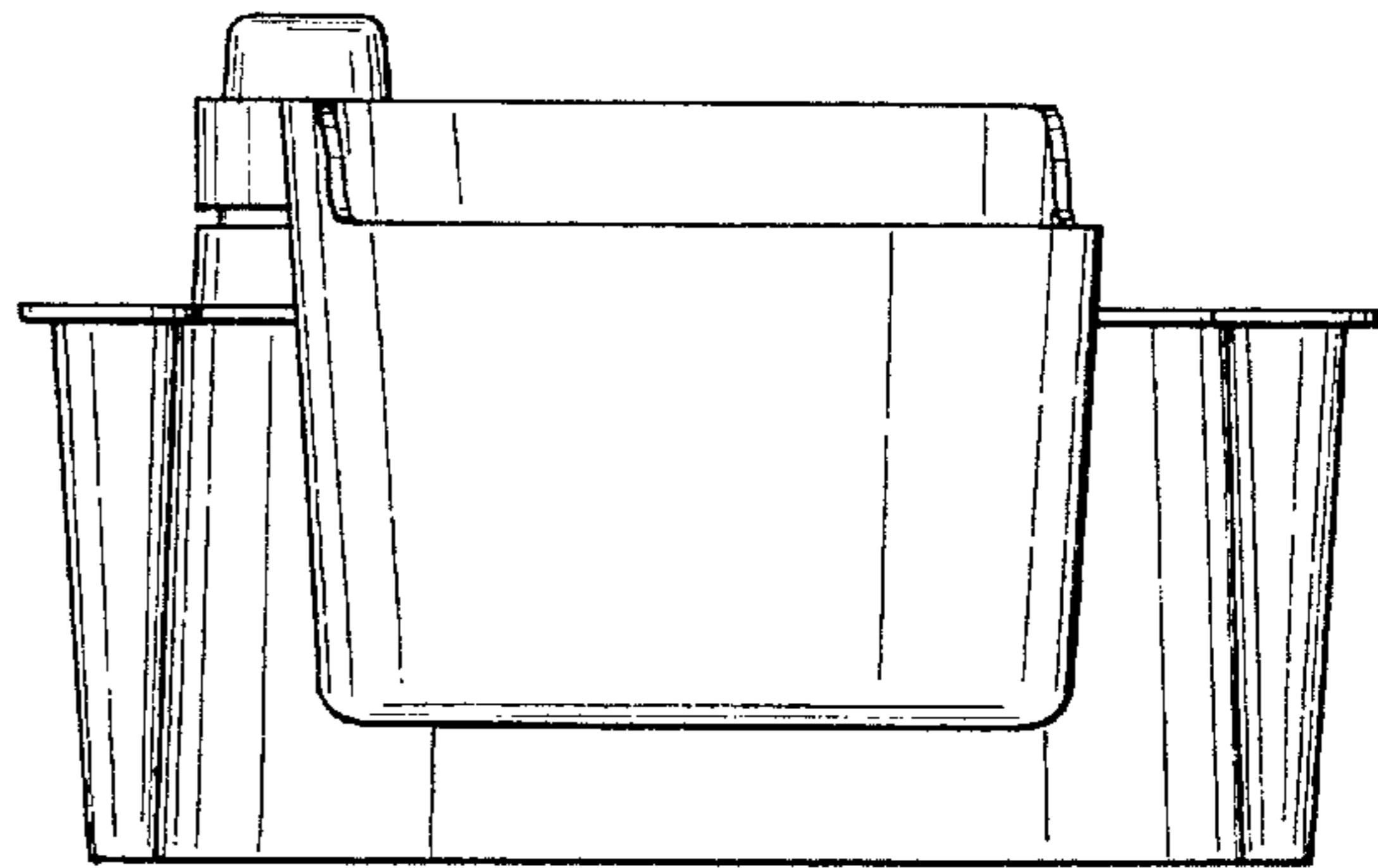


FIG. 5

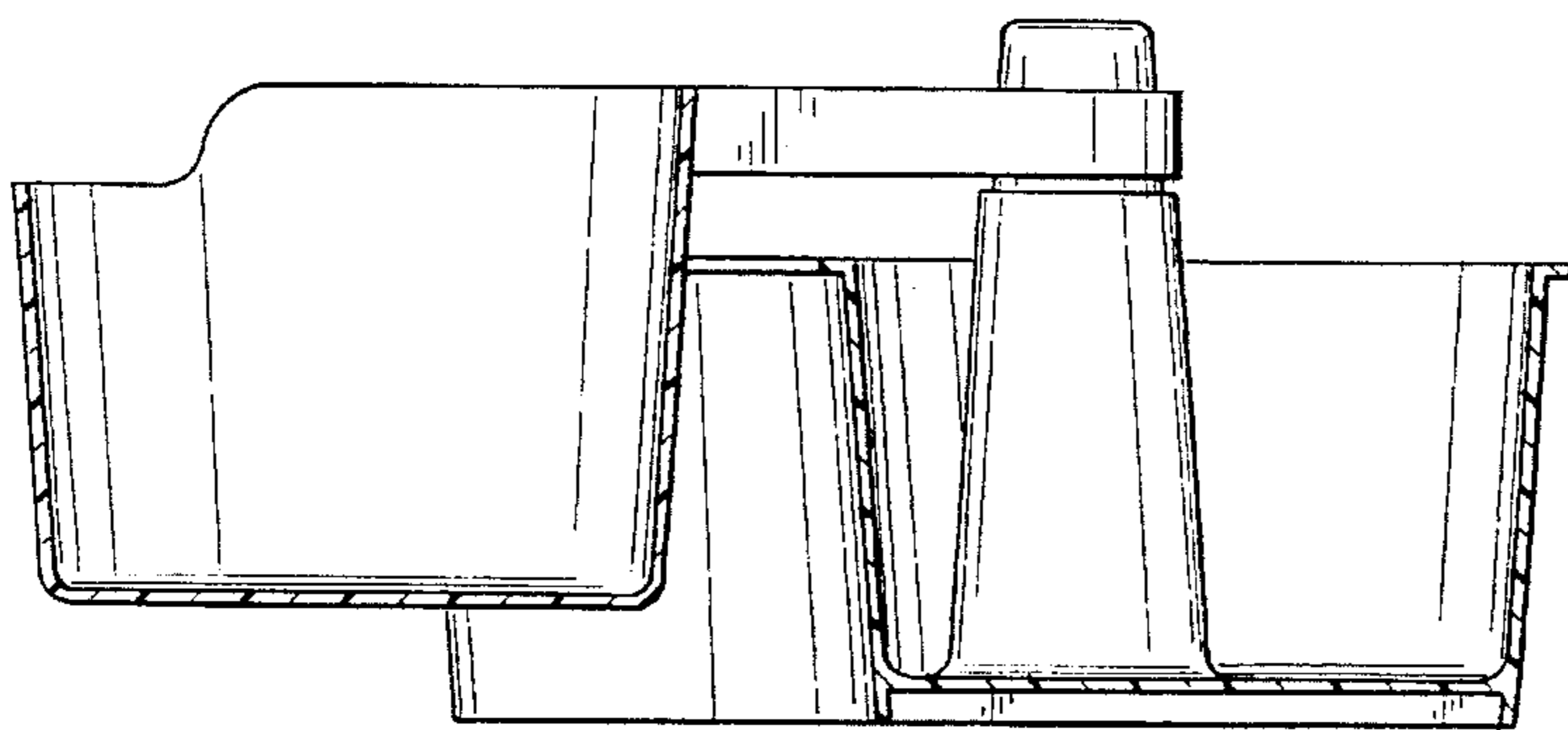


FIG. 6

FIG. 7

