



US00D377234S

United States Patent [19]

[11] Patent Number: **Des. 377,234**

Roberts et al.

[45] Date of Patent: ****Jan. 7, 1997**

[54] **LAMP HOLDER**

Primary Examiner—Susan J. Lucas

[75] Inventors: **Roy D. Roberts**, Newark; **John Kiss**, San Jose, both of Calif.

Attorney, Agent, or Firm—Law Offices of Thomas E. Schatzel

[73] Assignee: **ILC Technology, Inc.**, Sunnyvale, Calif.

[57] CLAIM

[**] Term: **14 Years**

The ornamental design for a lamp holder, as shown and described.

[21] Appl. No.: **37,452**

DESCRIPTION

[22] Filed: **Apr. 13, 1995**

FIG. 1 is a top, front and left side perspective view of a lamp holder showing my new design;

[52] U.S. Cl. **D26/138; D26/24**

FIG. 2 is a top plan view thereof;

[58] Field of Search D26/138, 24, 61, D26/63, 65; 362/362, 264, 294

FIG. 3 is a front elevational view thereof;

FIG. 4 is a left side elevational view thereof and a mirror image of a right side elevational view thereof;

[56] References Cited

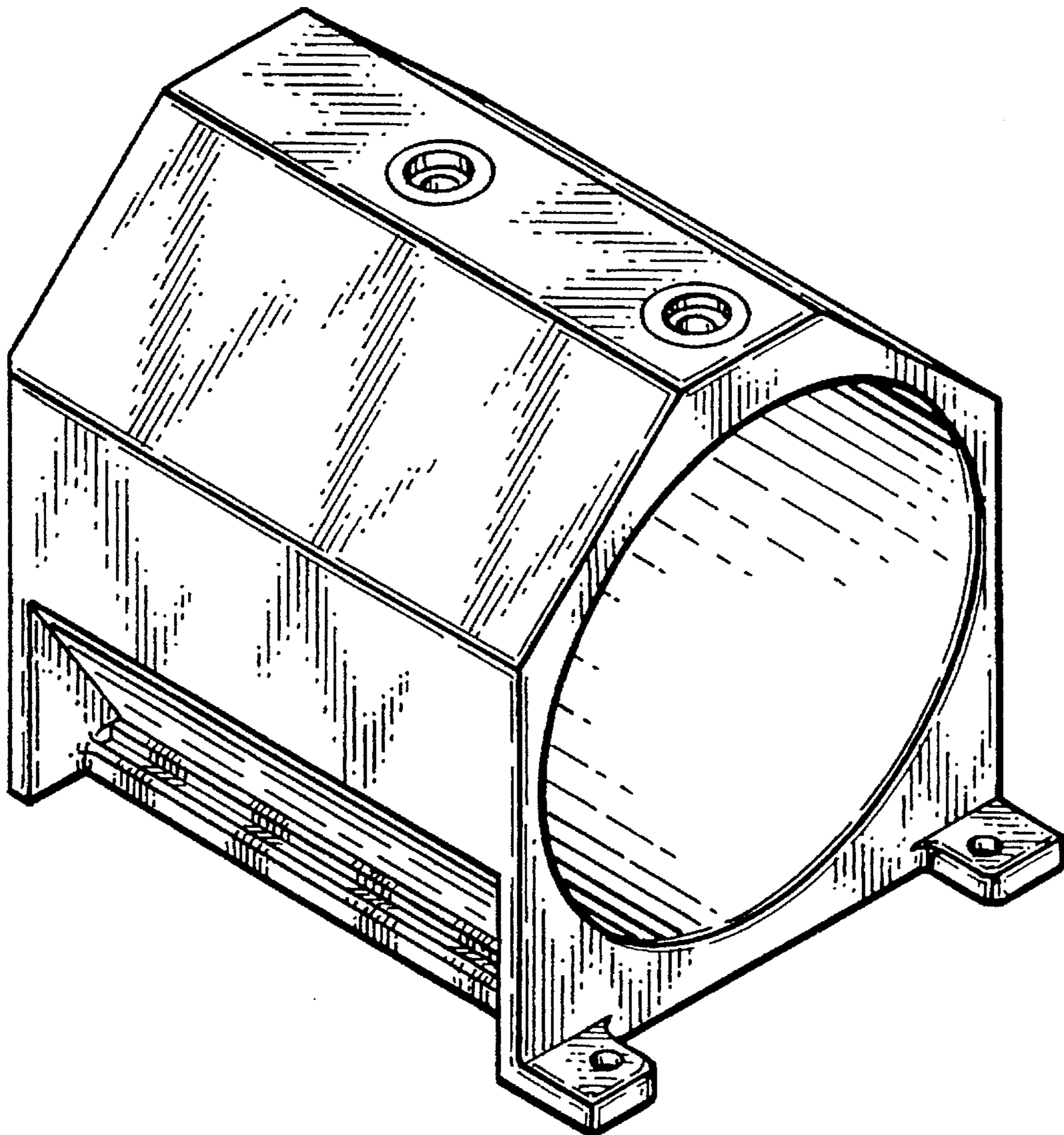
U.S. PATENT DOCUMENTS

FIG. 5 is a rear elevational view thereof; and,

FIG. 6 is a bottom plan view thereof.

1,881,262	10/1932	Conradty	362/269	X
4,882,667	11/1989	Skegin	362/371	X

1 Claim, 1 Drawing Sheet



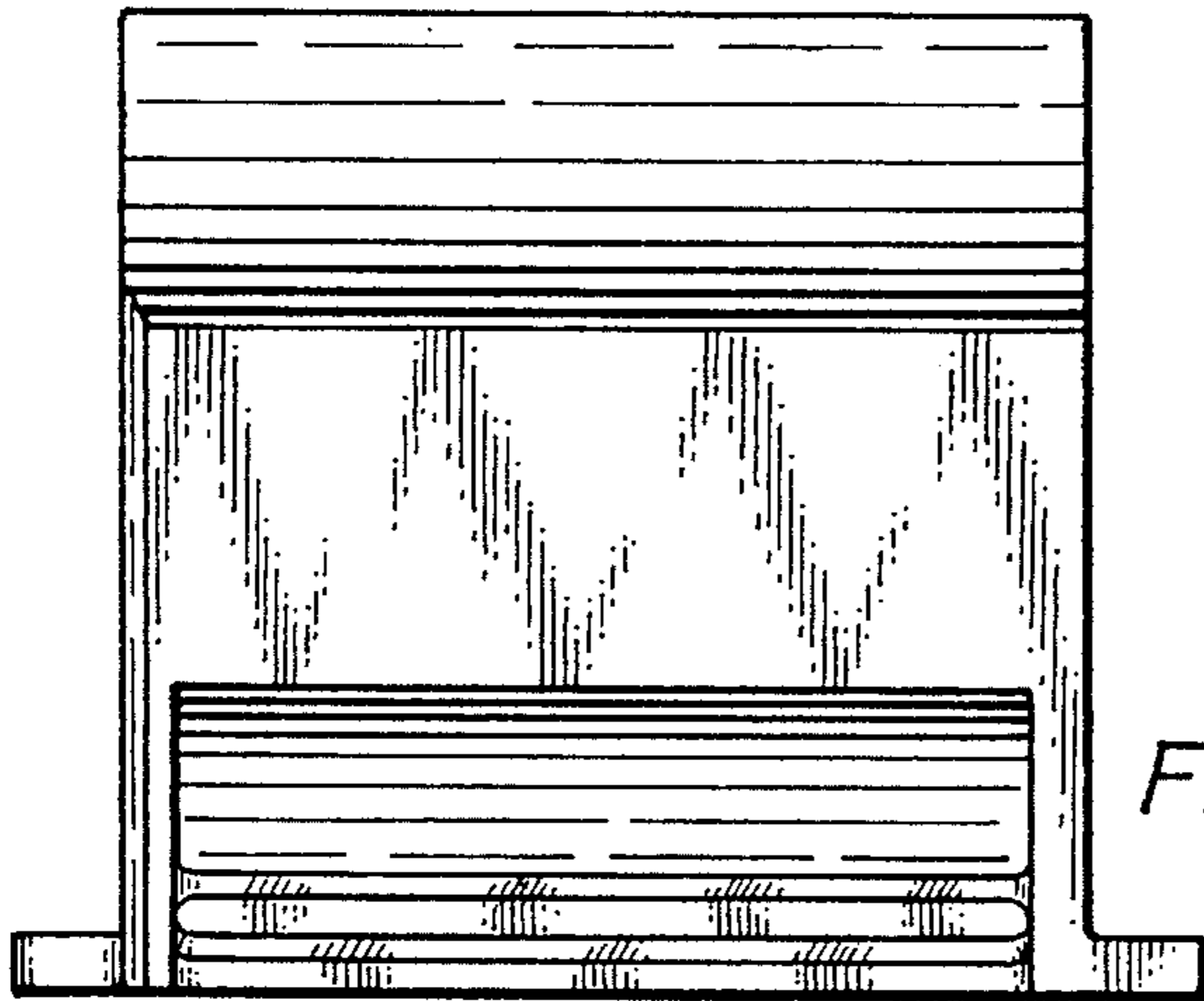
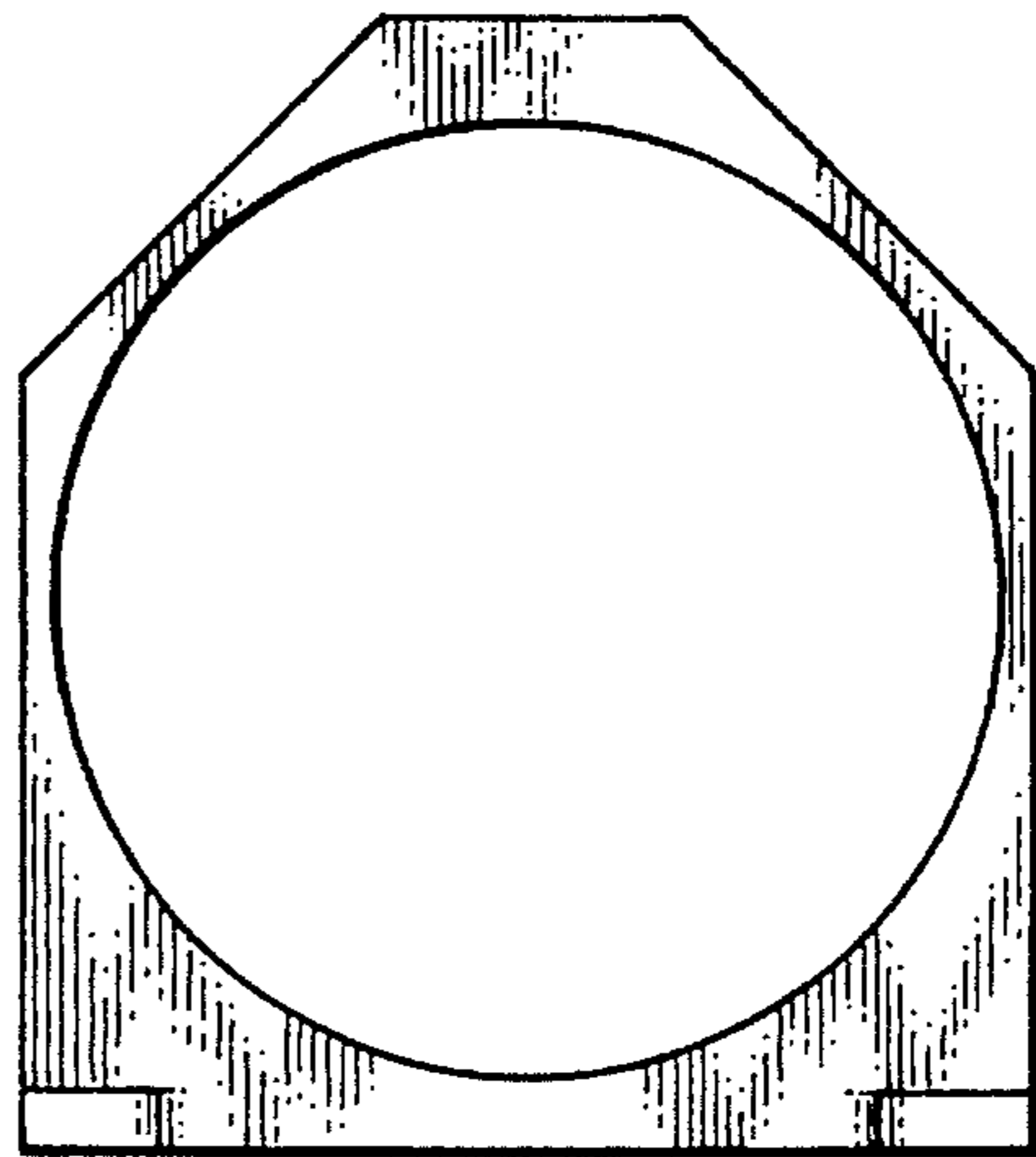
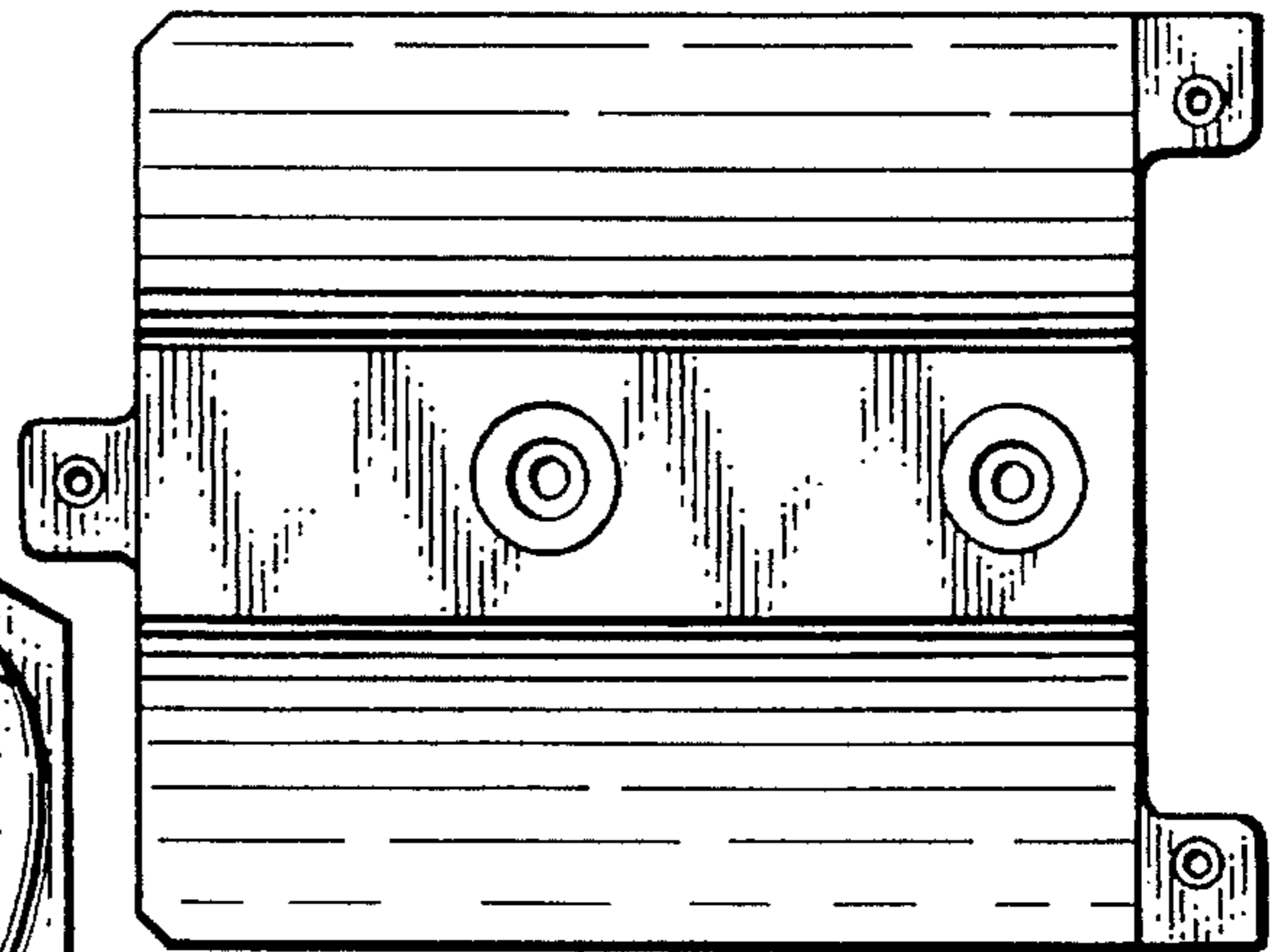
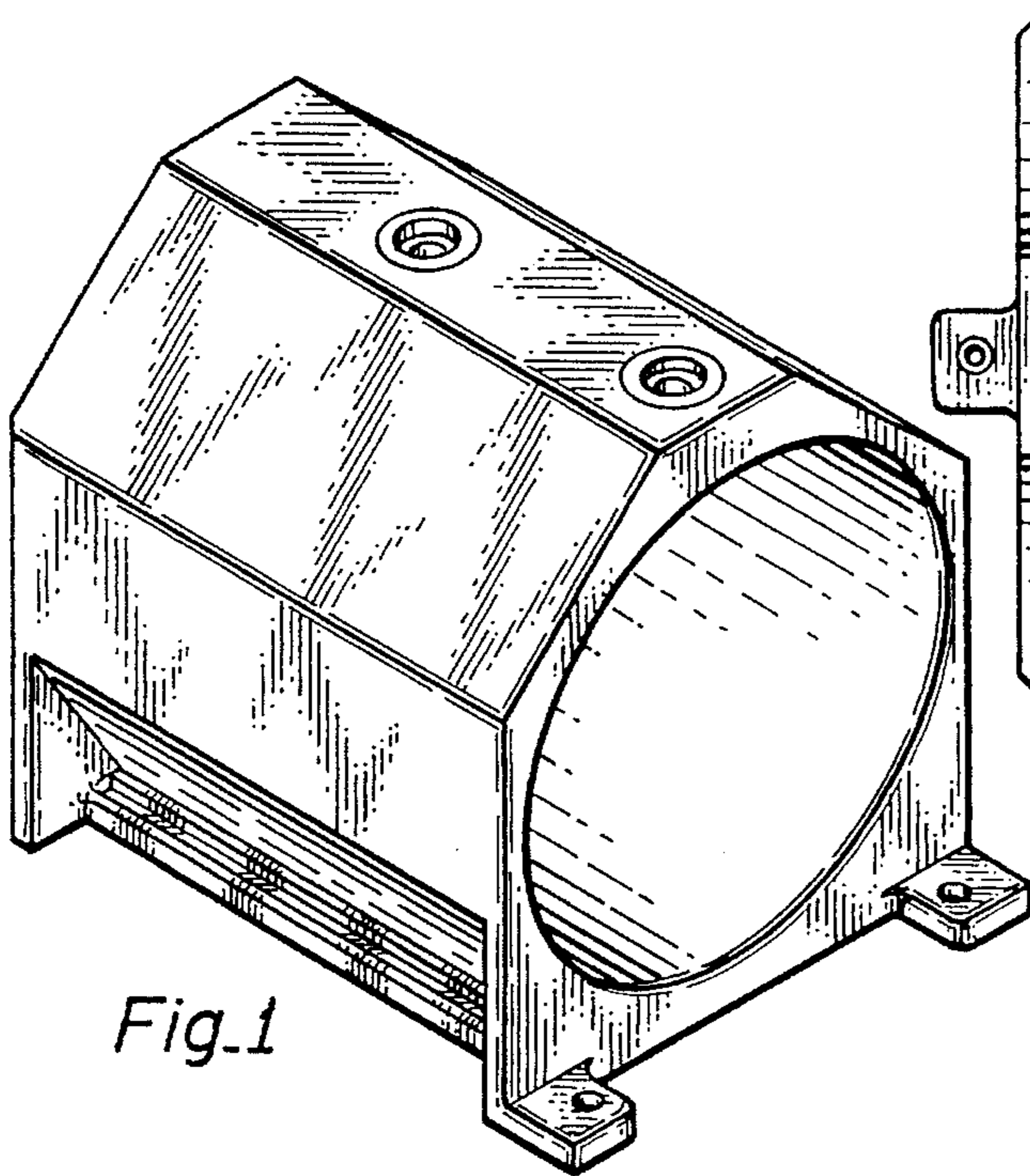


Fig. 4

Fig. 3

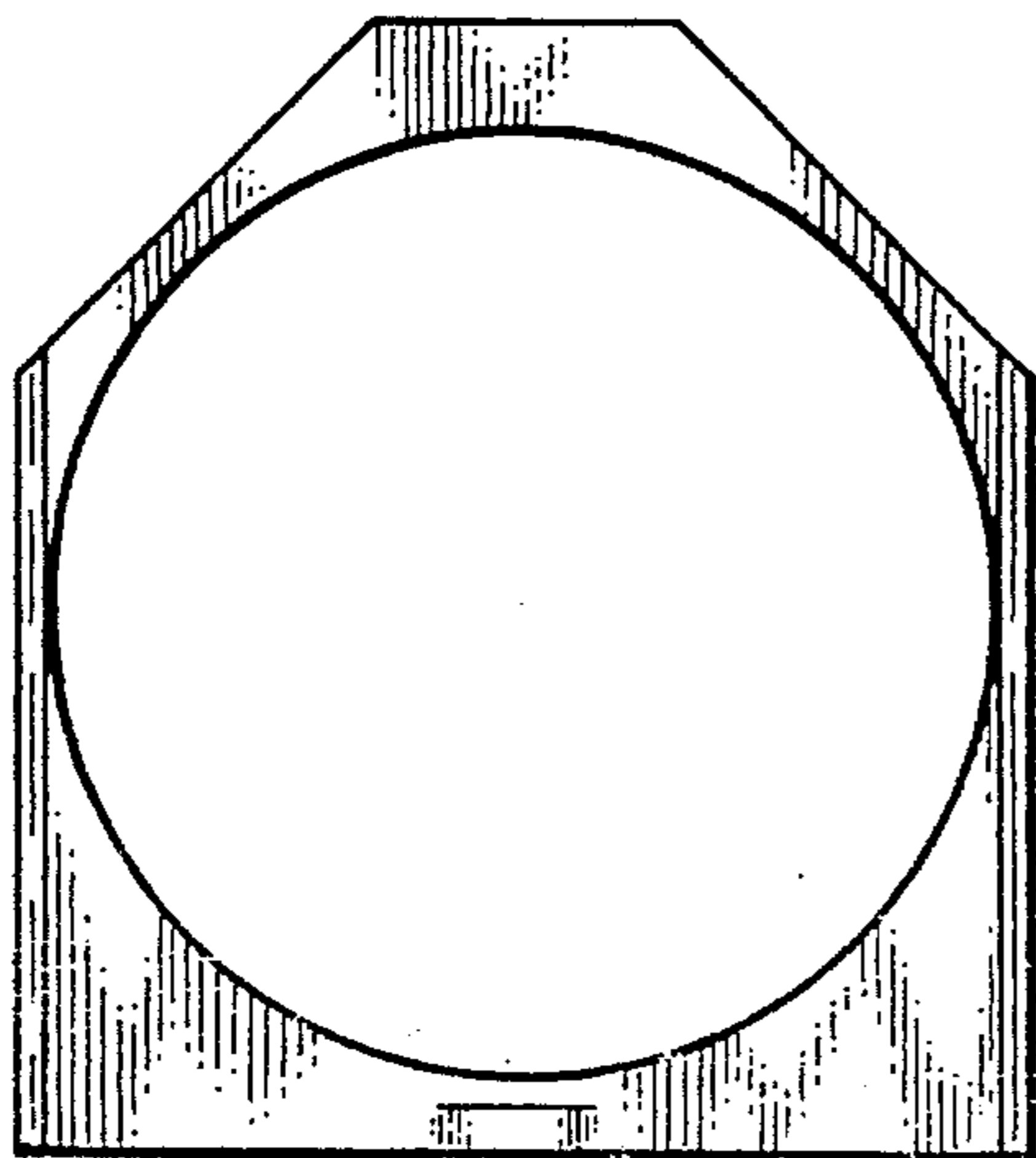


Fig. 5

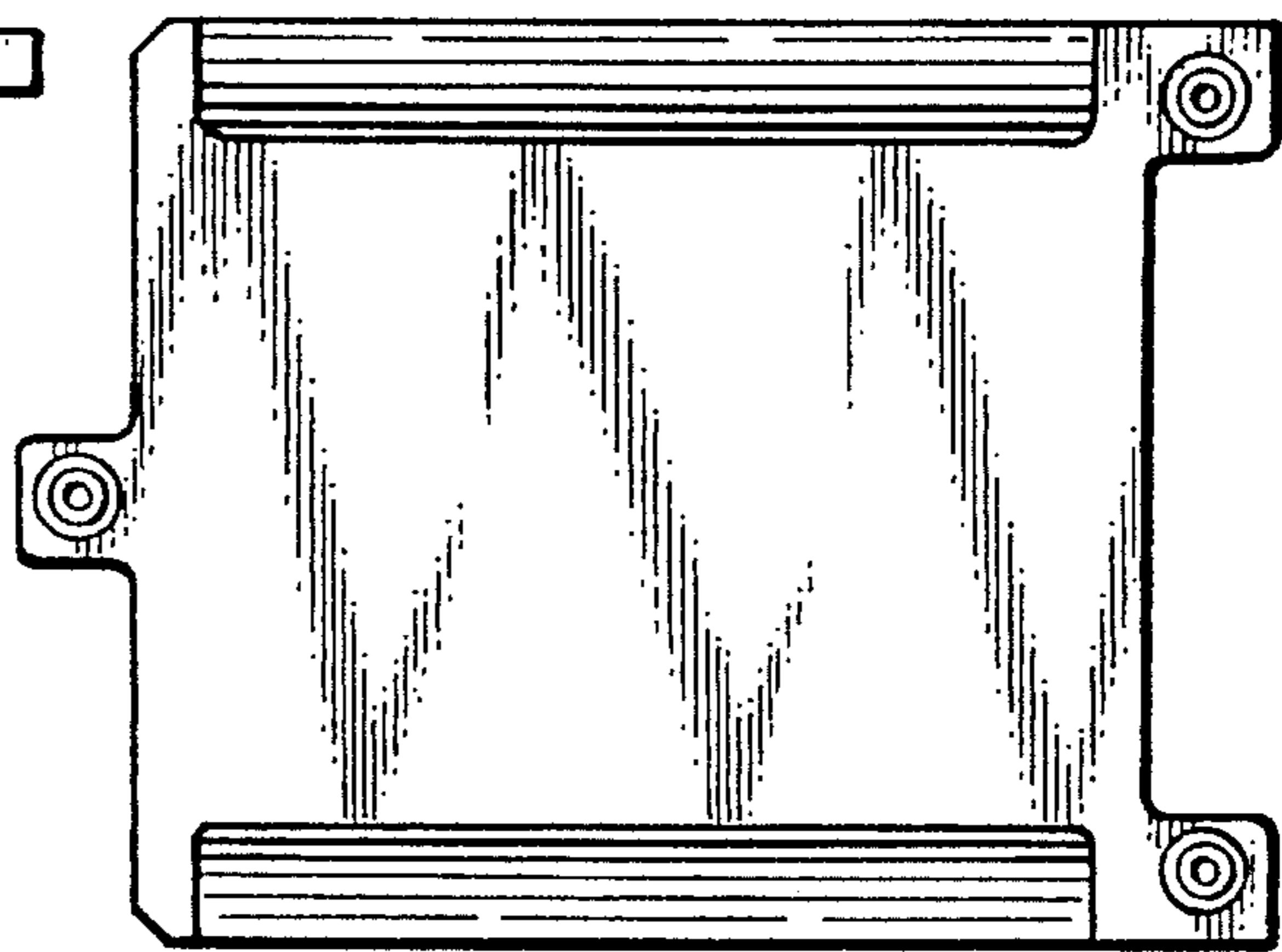


Fig. 6