



US00D377232S

United States Patent [19]

Hsu

[11] Patent Number: **Des. 377,232**

[45] Date of Patent: ****Jan. 7, 1997**

[54] LAMP SHADE

[75] Inventor: **Keen Hsu**, Taichung, Taiwan

[73] Assignee: **Bright Yin Huey Co., Ltd.**, Taichung, Taiwan

[**] Term: **14 Years**

[21] Appl. No.: **53,804**

[22] Filed: **Apr. 30, 1996**

[52] U.S. Cl. **D26/133**

[58] Field of Search D26/128-137;
362/351, 326, 334, 335, 337, 340, 353,
360, 361; D7/521, 526, 527, 528, 530

[56] References Cited

U.S. PATENT DOCUMENTS

D. 44,721 10/1913 Booth D26/133
D. 112,444 12/1938 Cunningham D7/530 X

OTHER PUBLICATIONS

Southwest Lighting Ceiling Fan Lights Catalog, Aug. 1981, p. 2, Lamp glass shade #30011.

Primary Examiner—Susan J. Lucas
Attorney, Agent, or Firm—Browdy and Neimark

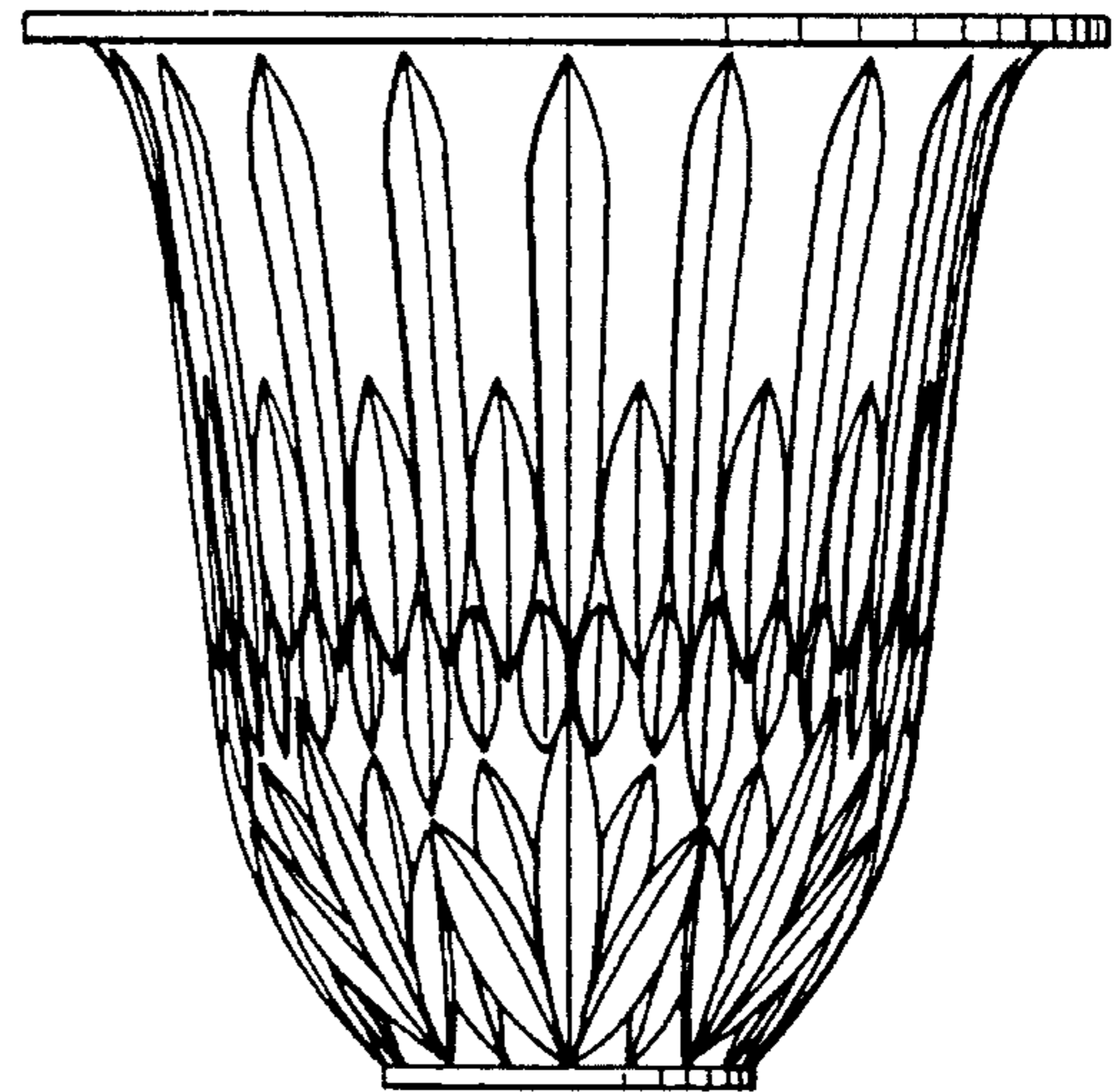
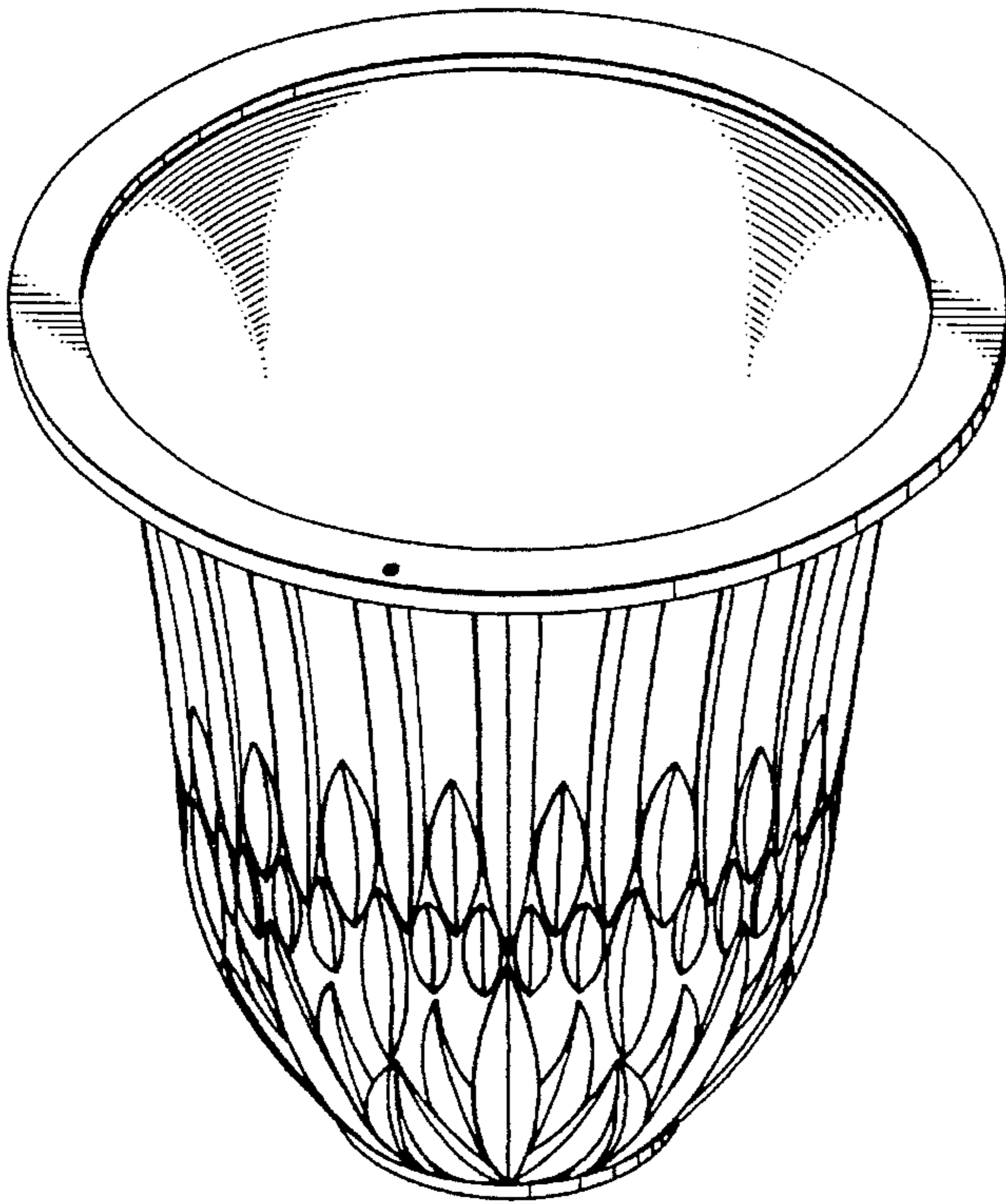
[57] CLAIM

The ornamental design for a "lamp shade", as shown and described.

DESCRIPTION

FIG. 1 is a perspective view of a lamp shade showing my new design;
FIG. 2 is a front view thereof, the rear, left and right side views are identical;
FIG. 3 is a top view thereof; and,
FIG. 4 is a bottom view thereof.

1 Claim, 3 Drawing Sheets



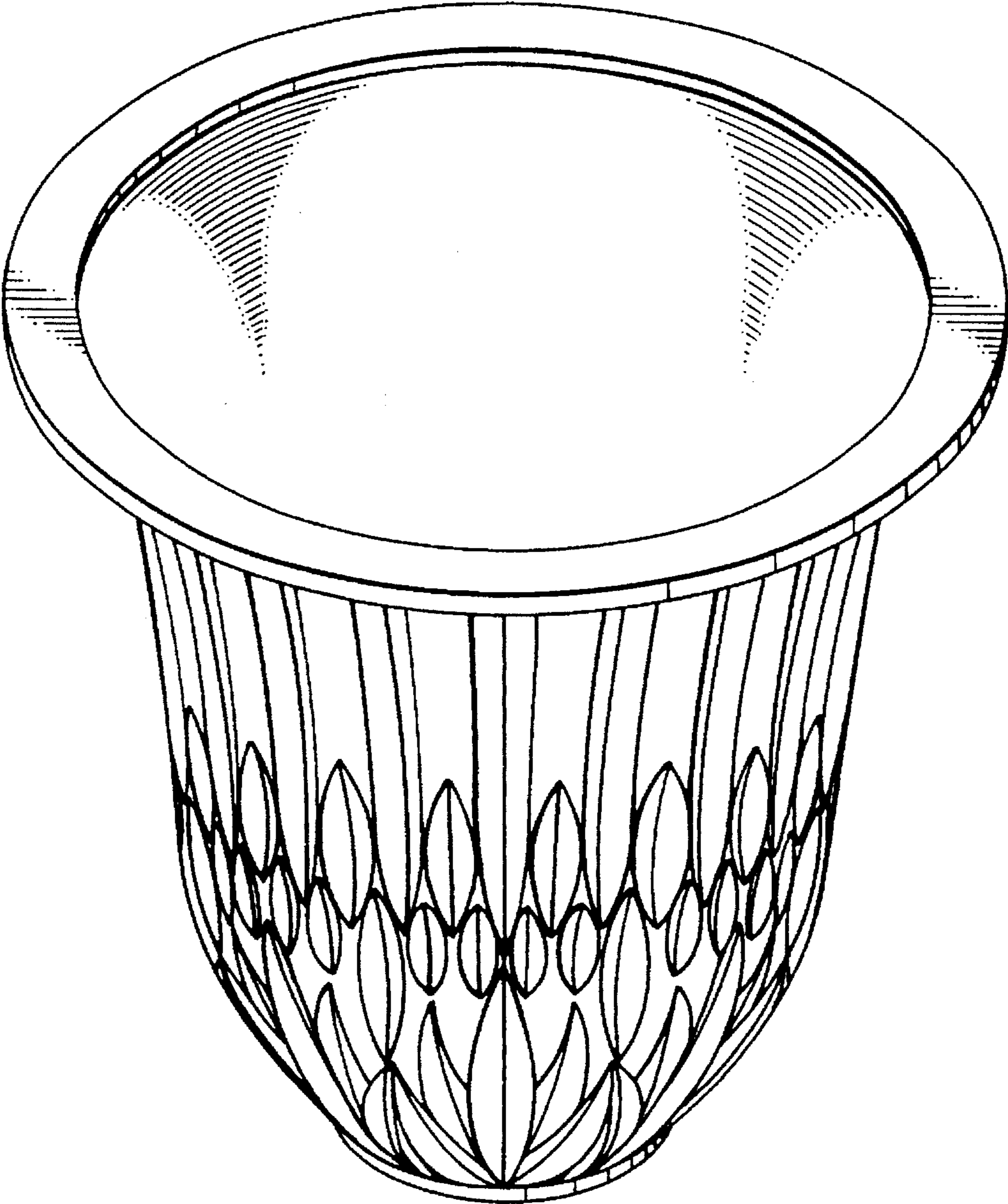


FIG. 1

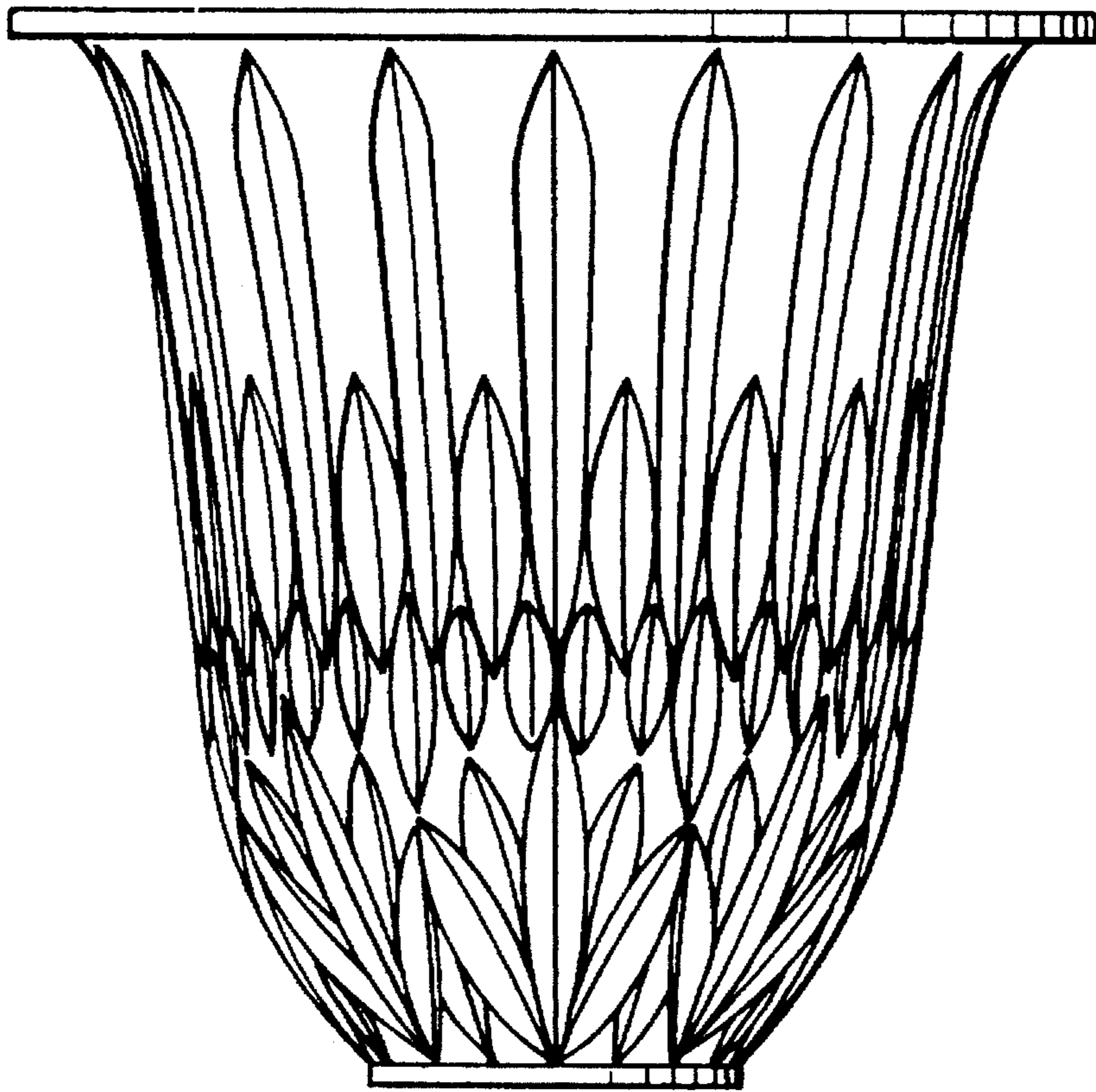


FIG. 2

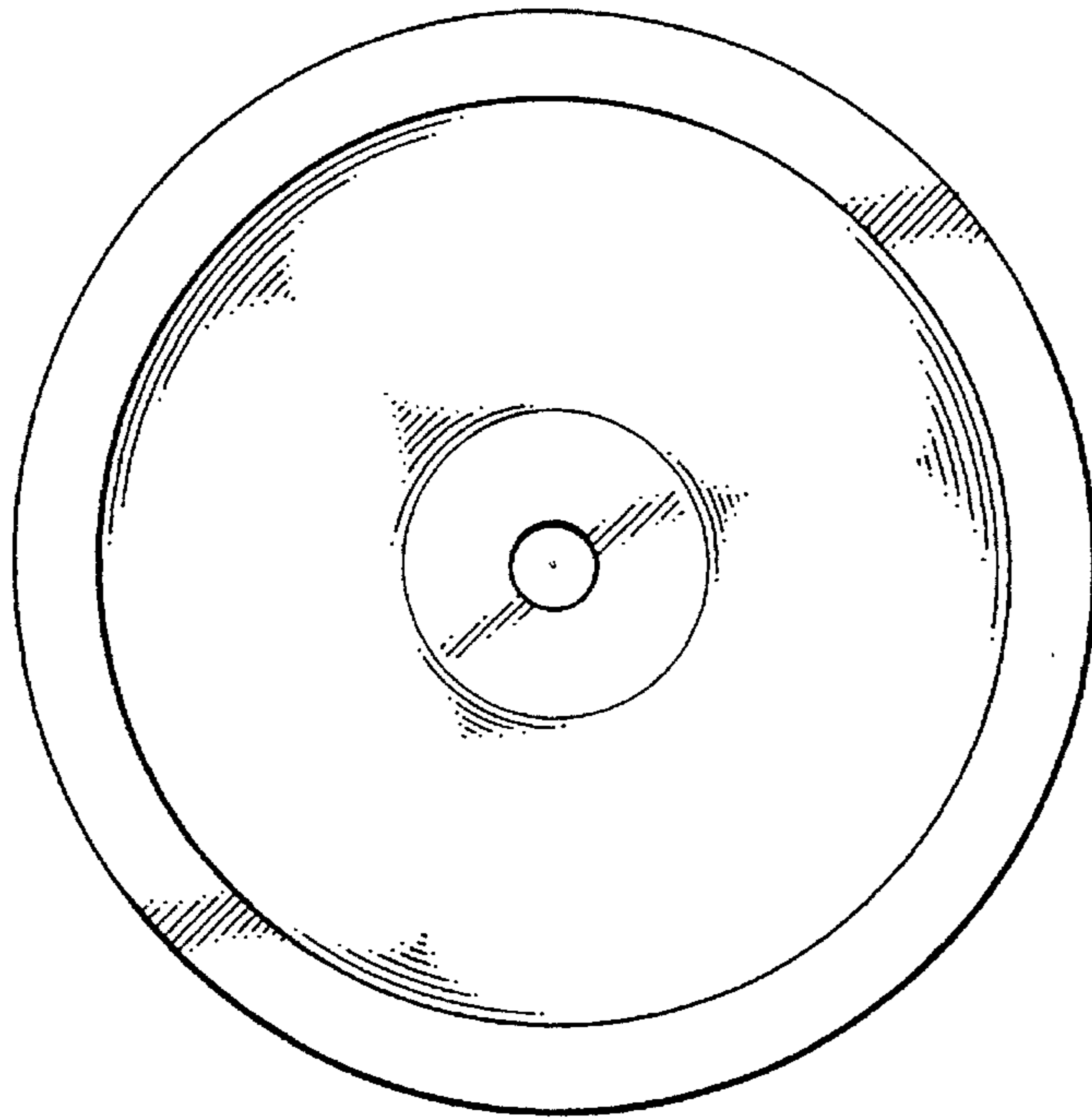


FIG. 3

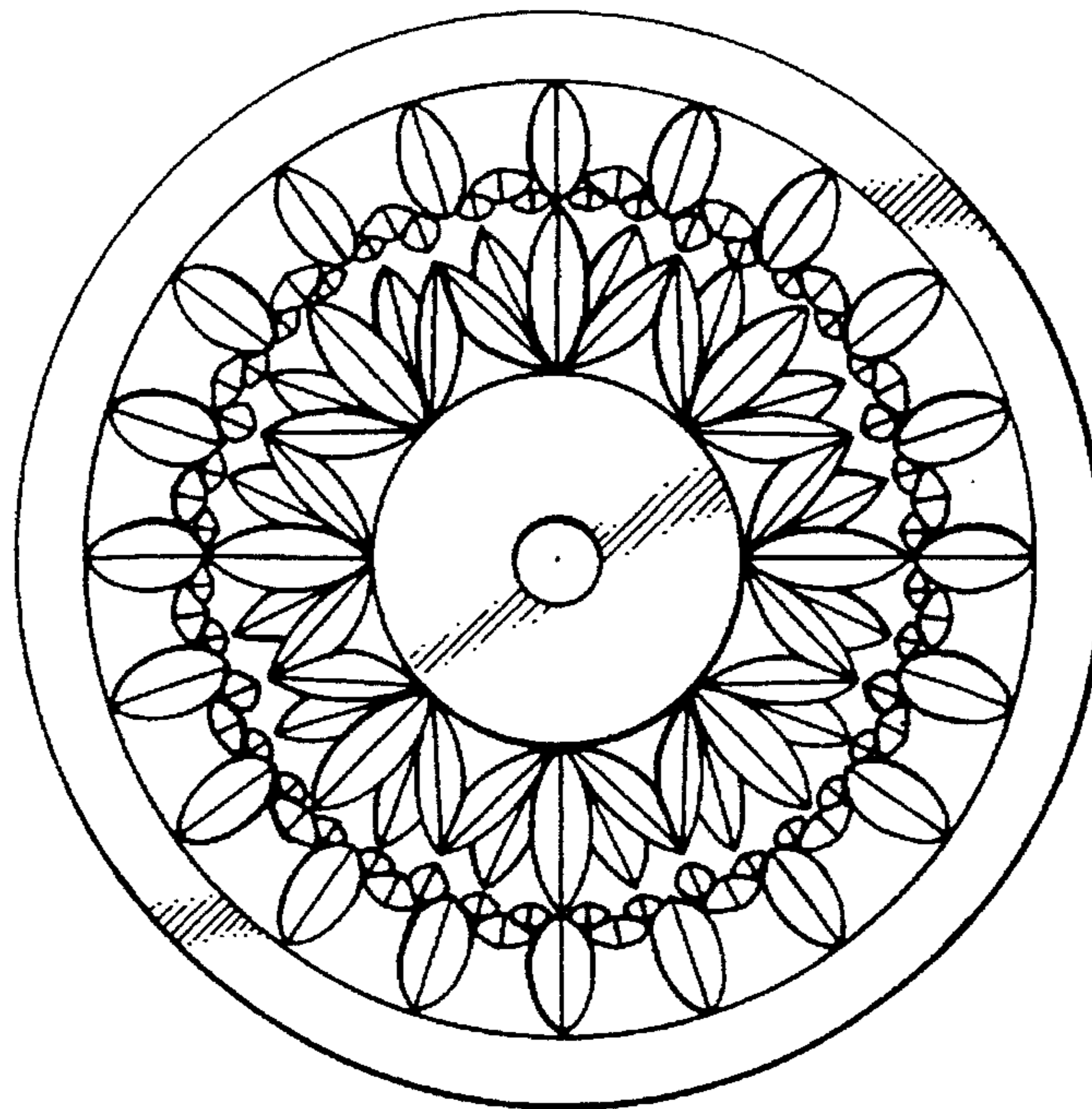


FIG. 4