



US00D377230S

United States Patent [19]

Parris

[11] Patent Number: **Des. 377,230**

[45] Date of Patent: ****Jan. 7, 1997**

[54] GARDEN LIGHT

[75] Inventor: **Lester Parris**, Weston, Canada

[73] Assignee: **167,520 Canada Inc.**, Weston, Canada

[**] Term: **14 Years**

[21] Appl. No.: **29,388**

[22] Filed: **Oct. 4, 1994**

[52] U.S. Cl. **D26/69**

[58] Field of Search D26/67, 68, 69,
D26/70, 71; 362/431; D25/126

[56] **References Cited**

U.S. PATENT DOCUMENTS

D. 174,139	3/1955	Sadler	D26/68 X
D. 179,337	12/1956	Brown	D26/68
D. 197,438	2/1964	Harling	D26/67
D. 205,719	9/1966	Pattengill	D26/69
D. 262,407	12/1981	Ball	D26/93 X
D. 332,840	1/1993	Cohn	D26/93
3,012,801	12/1961	Cole	.	
3,031,041	4/1962	Pfaff, Jr.	D26/68 X

OTHER PUBLICATIONS

Sternberg Catalogue, 1989, p. 26, Railroad Station Lite.

Primary Examiner—Susan J. Lucas

Assistant Examiner—Cynthia E. Ramirez

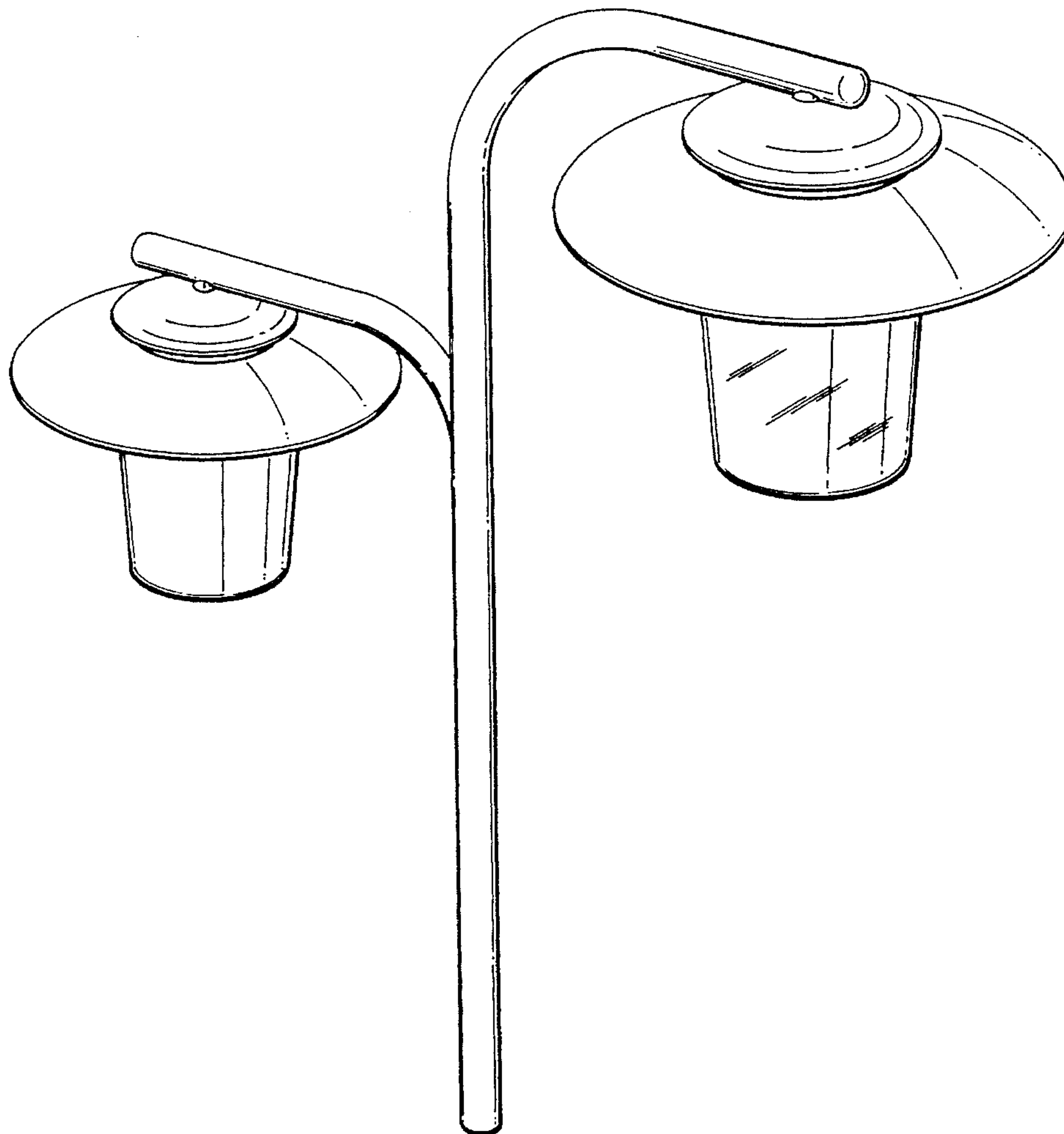
[57] **CLAIM**

An ornamental design for a garden light, as shown.

DESCRIPTION

FIG. 1 is a front elevation view of a garden light to which the design of the present invention has been applied; FIG. 2 is a side elevation view of the garden light of FIG. 1; FIG. 3 is a back elevation view of the garden light of FIG. 1; FIG. 4 is a further side elevation view of the garden light of FIG. 1; FIG. 5 is a top plan view of the garden light of FIG. 1; FIG. 6 is a bottom plan view of the garden light of FIG. 1; and, FIG. 7 is a perspective view of the garden light of FIG. 1.

1 Claim, 4 Drawing Sheets



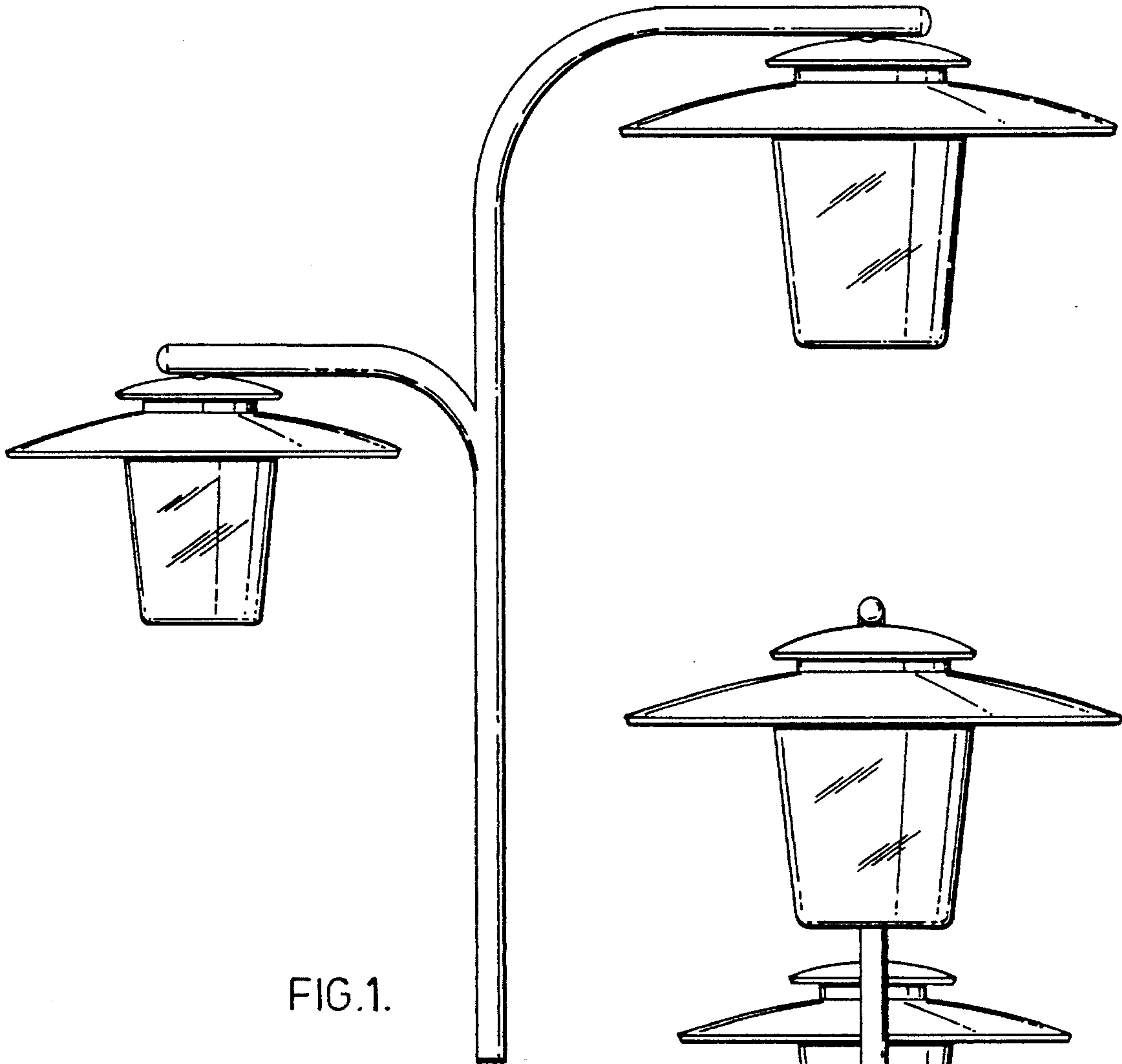


FIG.1.

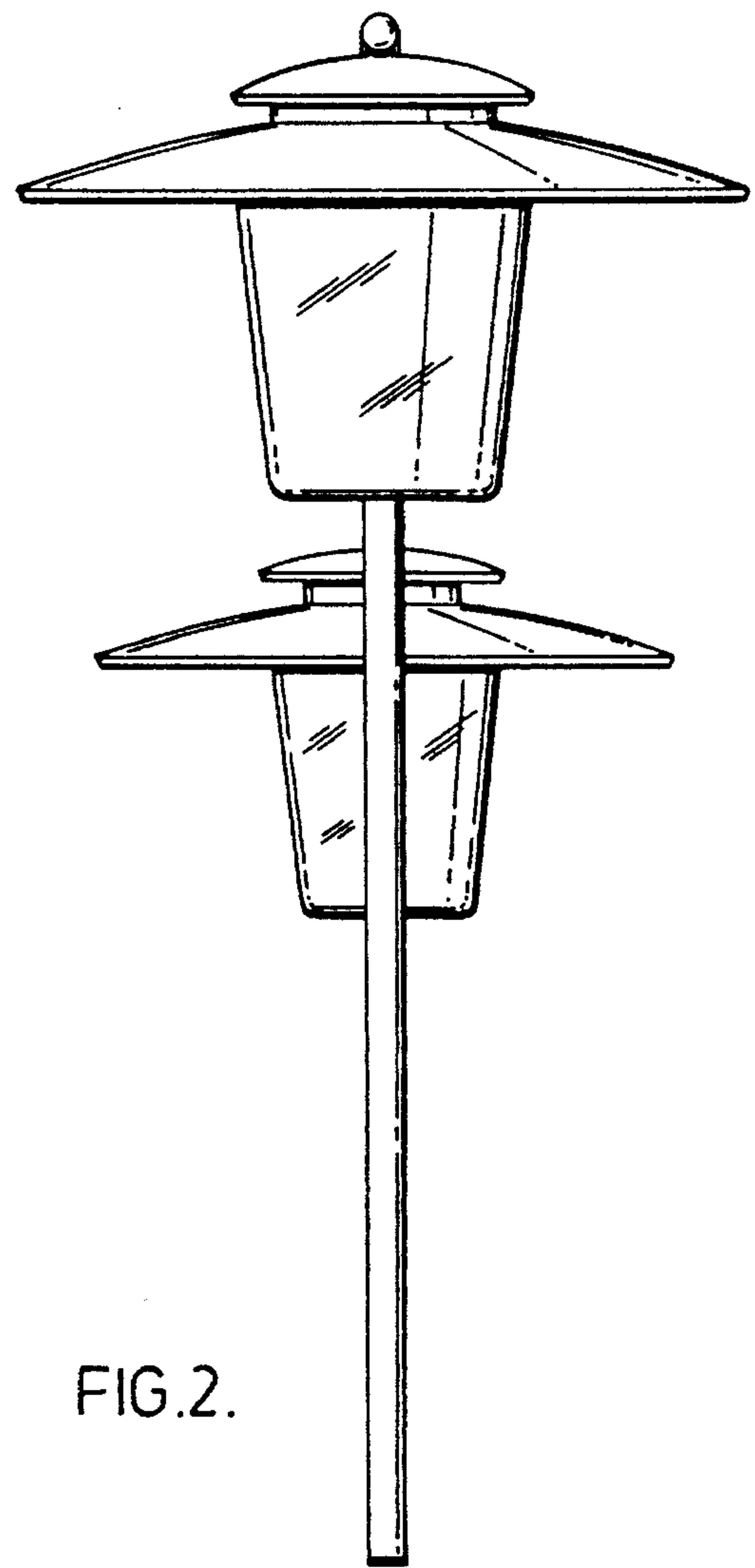


FIG.2.

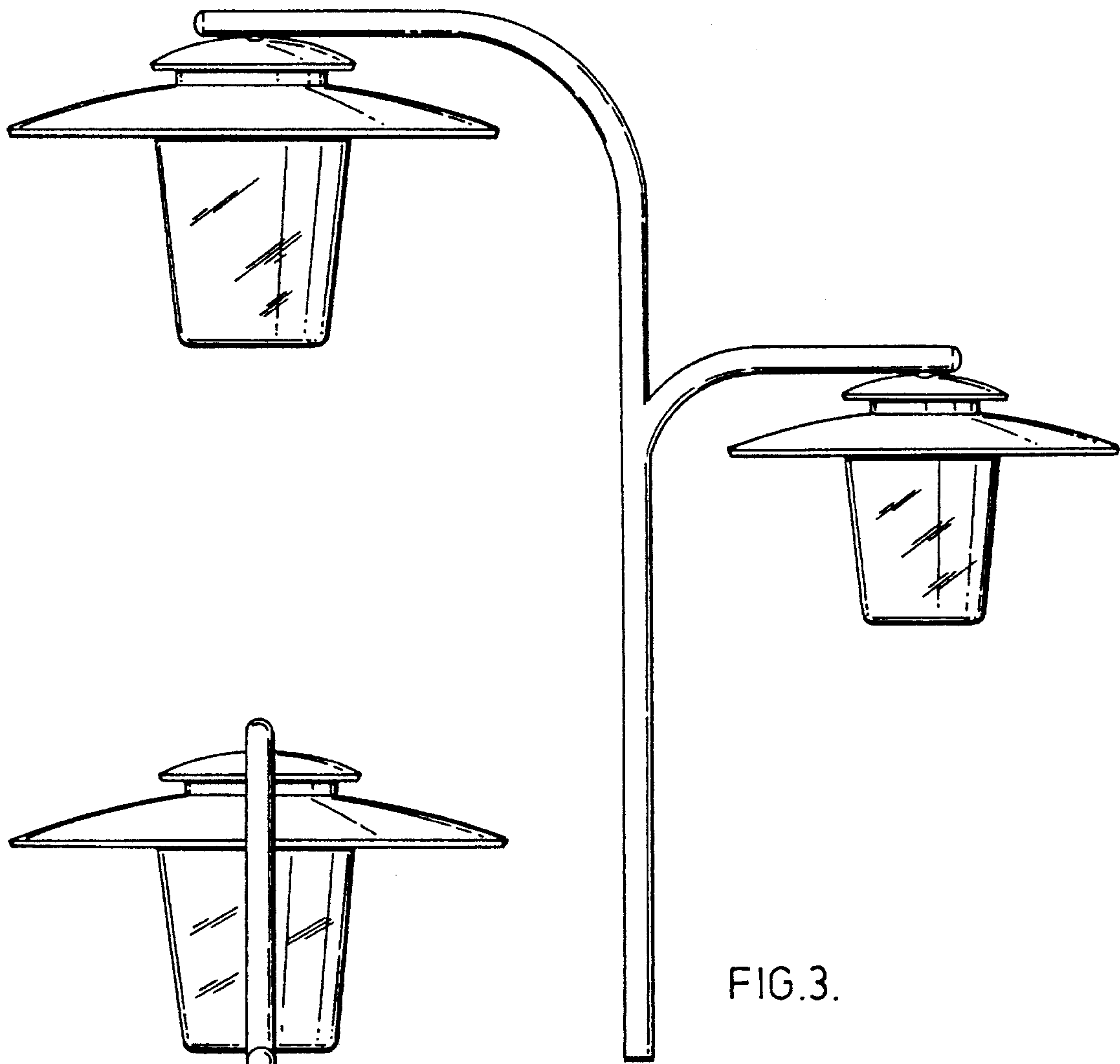


FIG. 3.

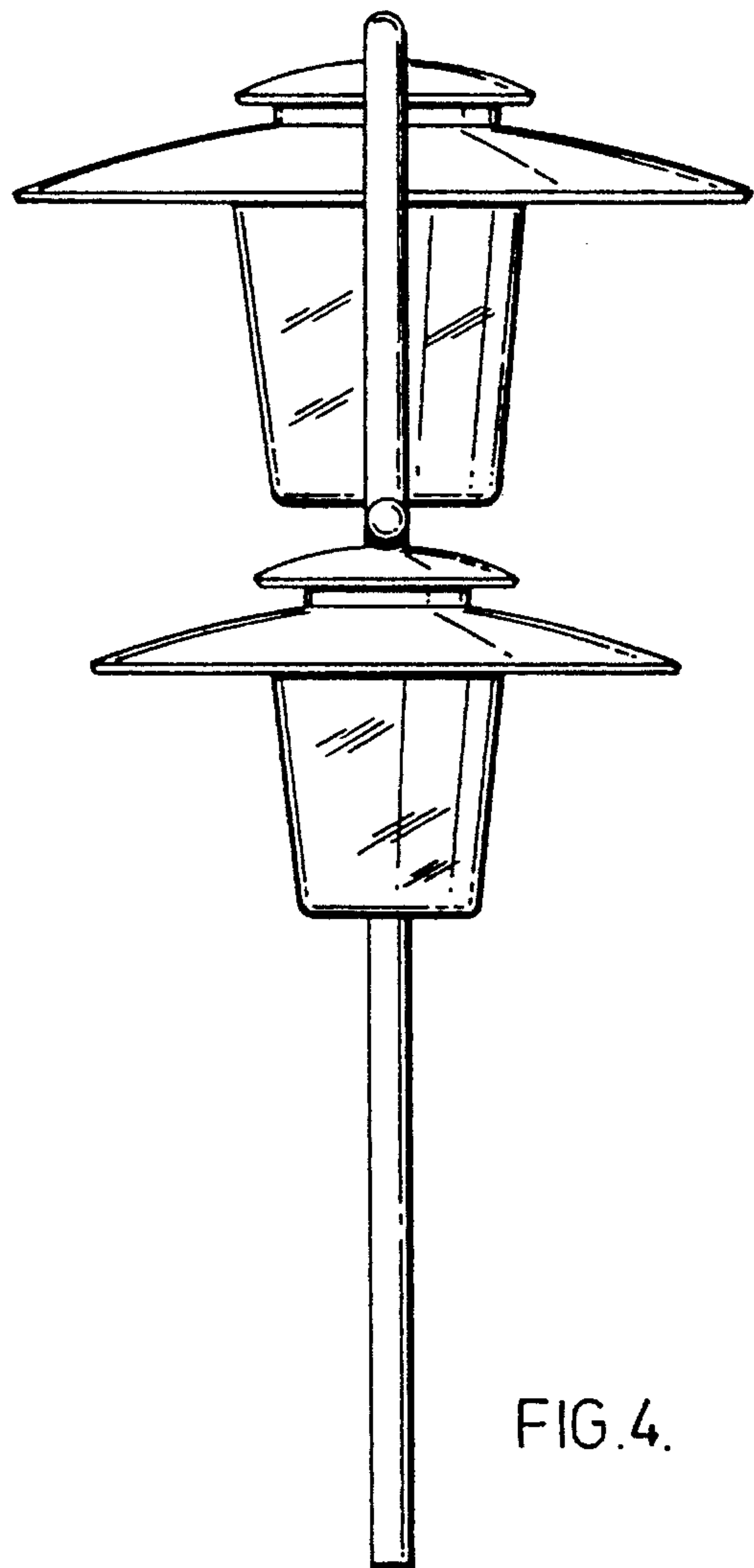


FIG. 4.

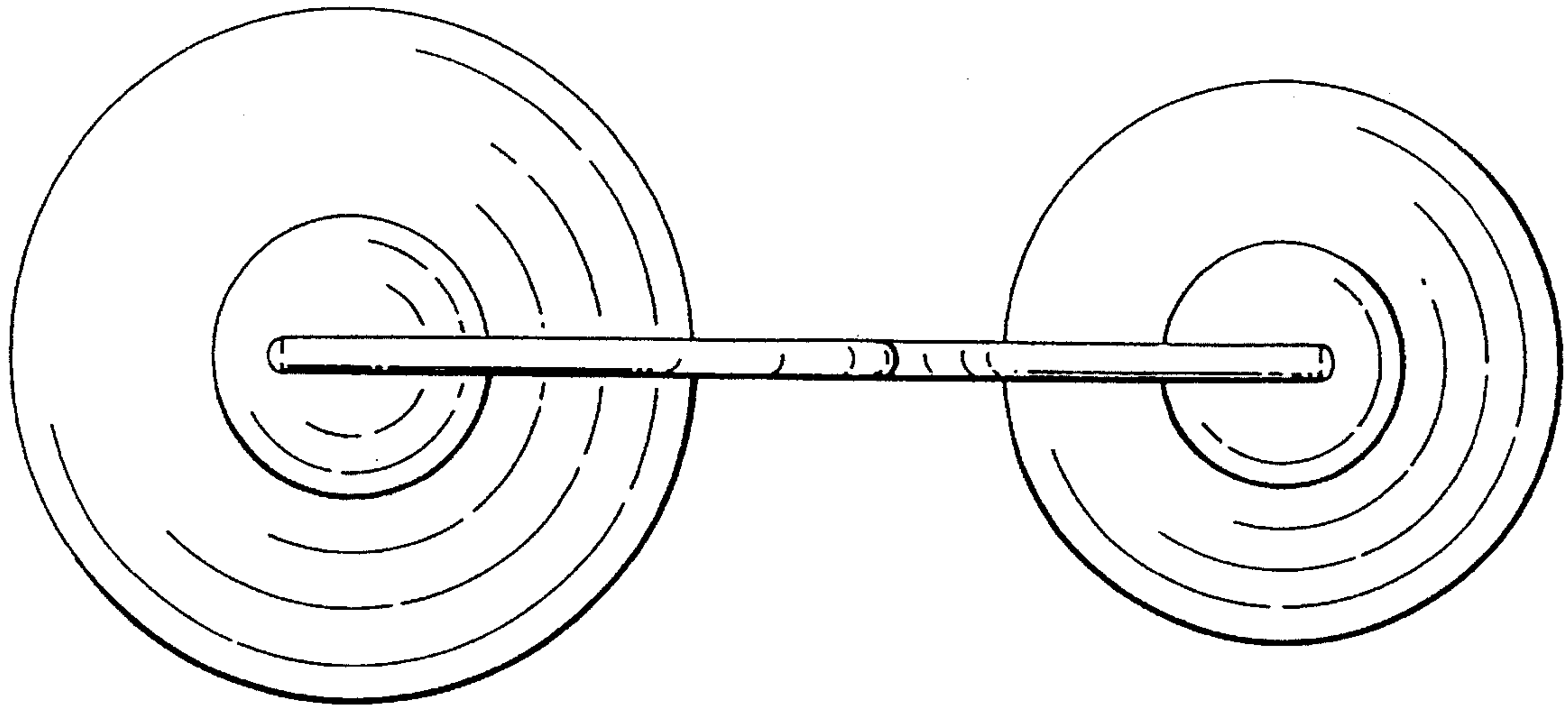


FIG. 5.

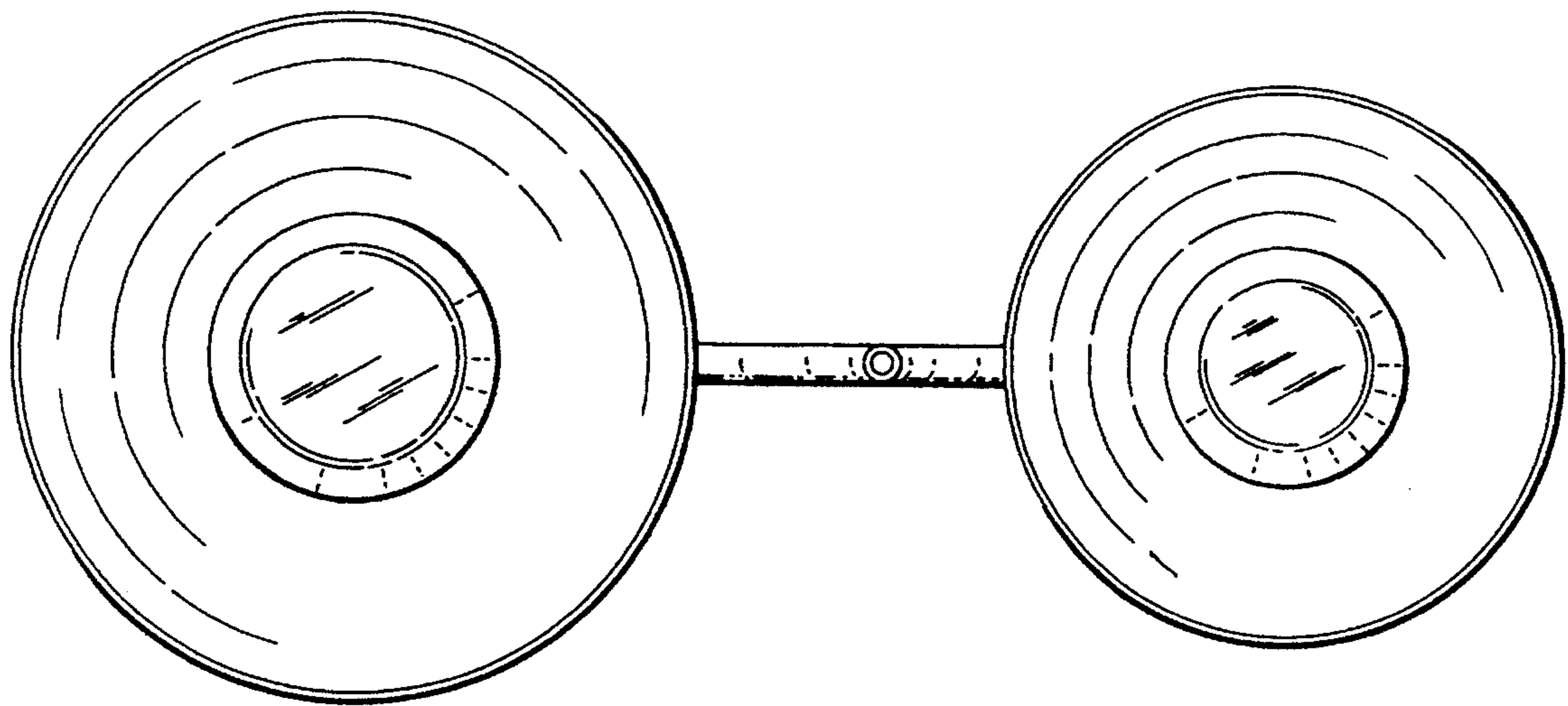


FIG. 6.

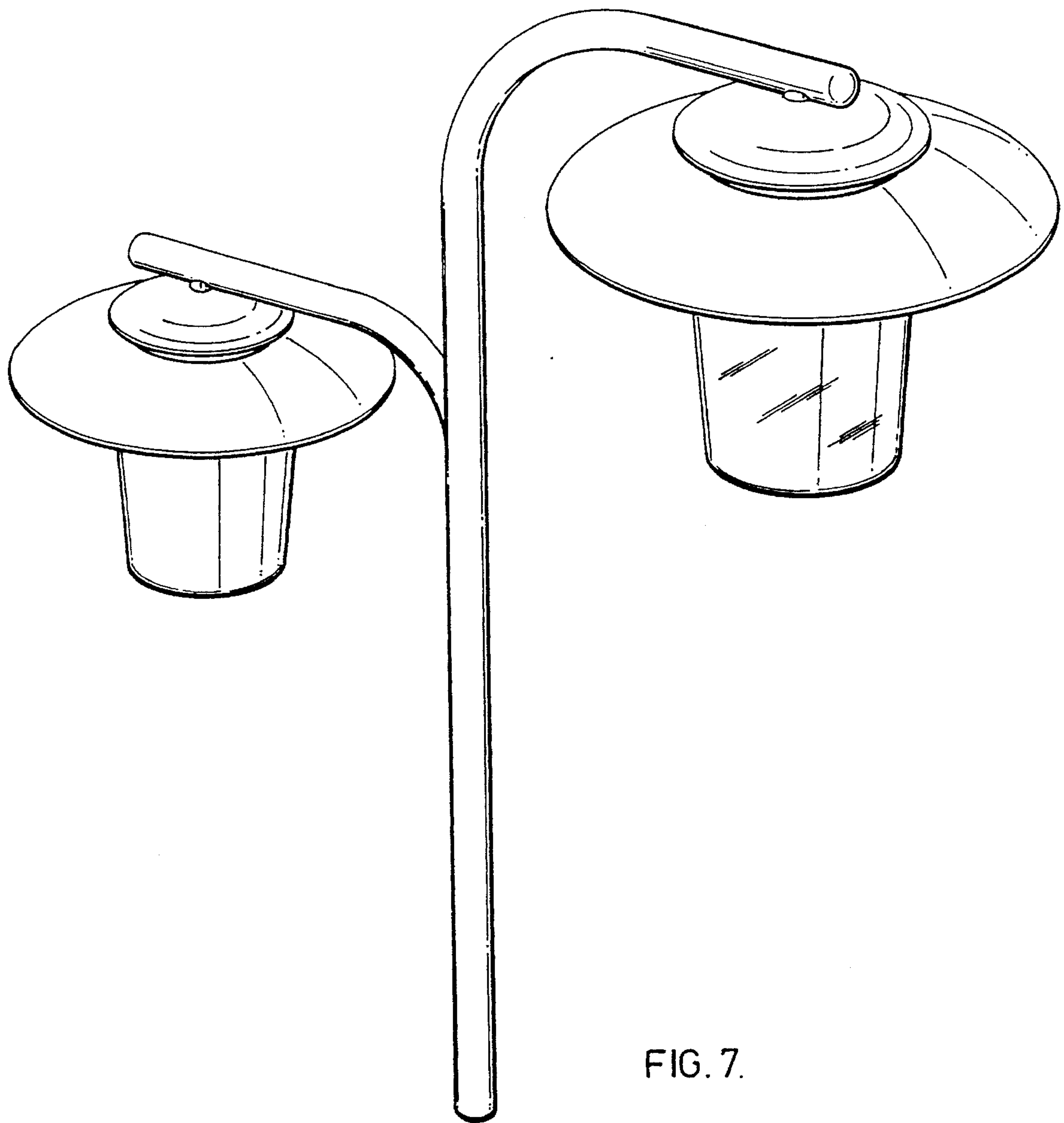


FIG. 7.