



US00D377228S

United States Patent [19]

Shalvi

[11] Patent Number: **Des. 377,228**

[45] Date of Patent: ****Jan. 7, 1997**

[54] **EXTERIOR LIGHT**

[75] Inventor: **Ram Shalvi, Hong Kong, Hong Kong**

[73] Assignee: **Solar Wide Industrial Ltd., Hong Kong, Hong Kong**

[**] Term: **14 Years**

[21] Appl. No.: **45,407**

[22] Filed: **Oct. 18, 1995**

[30] **Foreign Application Priority Data**

Apr. 26, 1995 [GB] United Kingdom 2046991

[52] U.S. Cl. **D26/68**

[58] Field of Search D26/67, 68, 69,
D26/70, 71; 362/153, 153.1, 431

[56] **References Cited**

U.S. PATENT DOCUMENTS

D. 305,156 12/1989 Maddock D26/67
4,999,749 3/1991 Dormand 362/153.1

OTHER PUBLICATIONS

Intermatic® Malibu® Lighting Catalog, ©1988, Deck Light A. Tier.

Primary Examiner—Susan J. Lucas
Attorney, Agent, or Firm—Ostrolenk, Faber, Gerb & Soffen, LLP

[57] **CLAIM**

The ornamental design for exterior light, as shown and described.

DESCRIPTION

FIG. 1 is a front, top and right side perspective view of exterior light showing my new design;

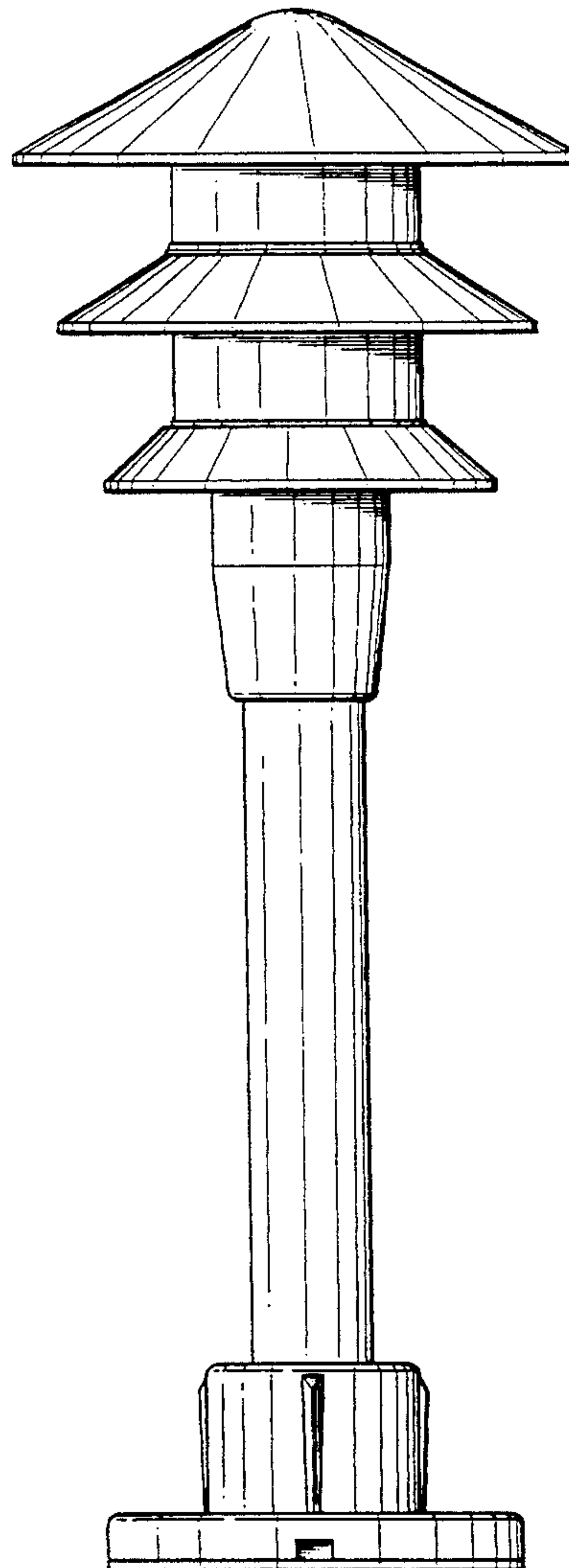
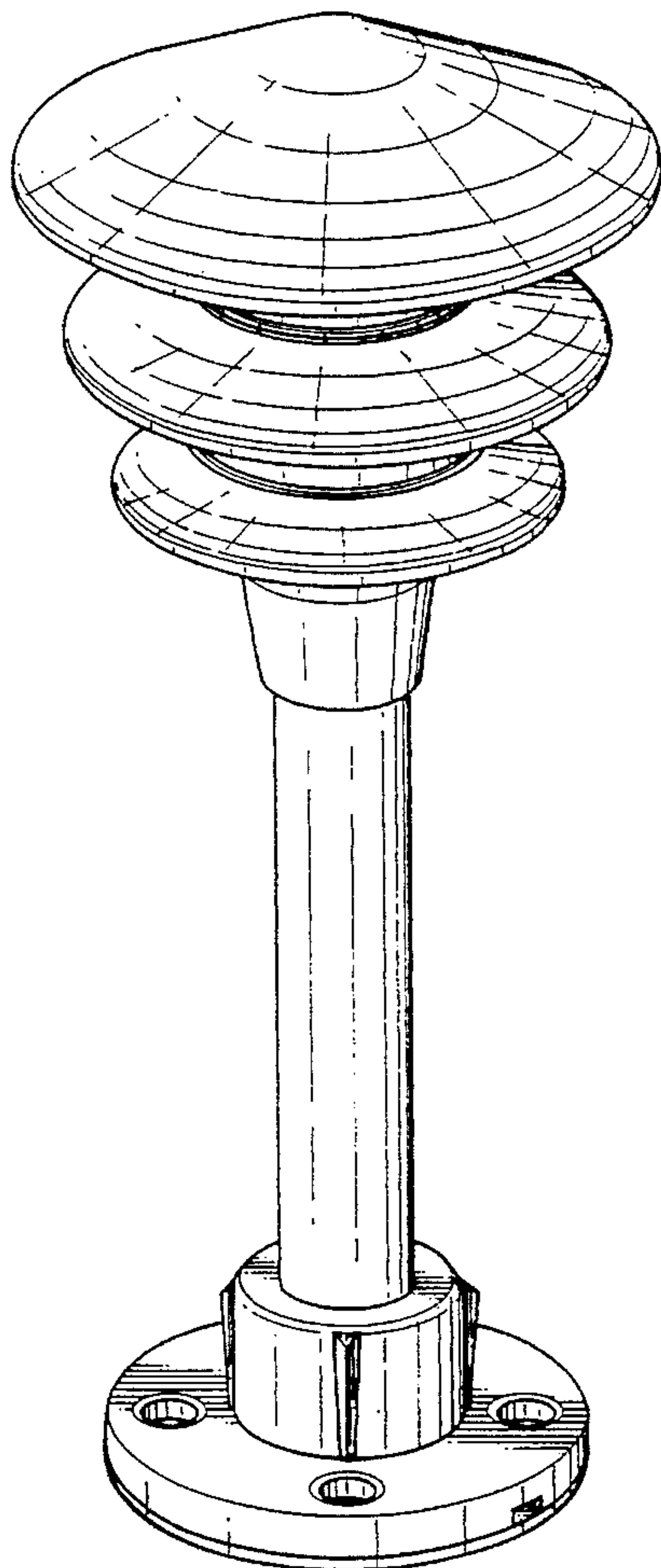
FIG. 2 is a front elevational view thereof (rear side corresponds);

FIG. 3 is a right side elevational view thereof (left side corresponds);

FIG. 4 is a top plan view thereof; and,

FIG. 5 is a bottom plan view thereof.

1 Claim, 3 Drawing Sheets



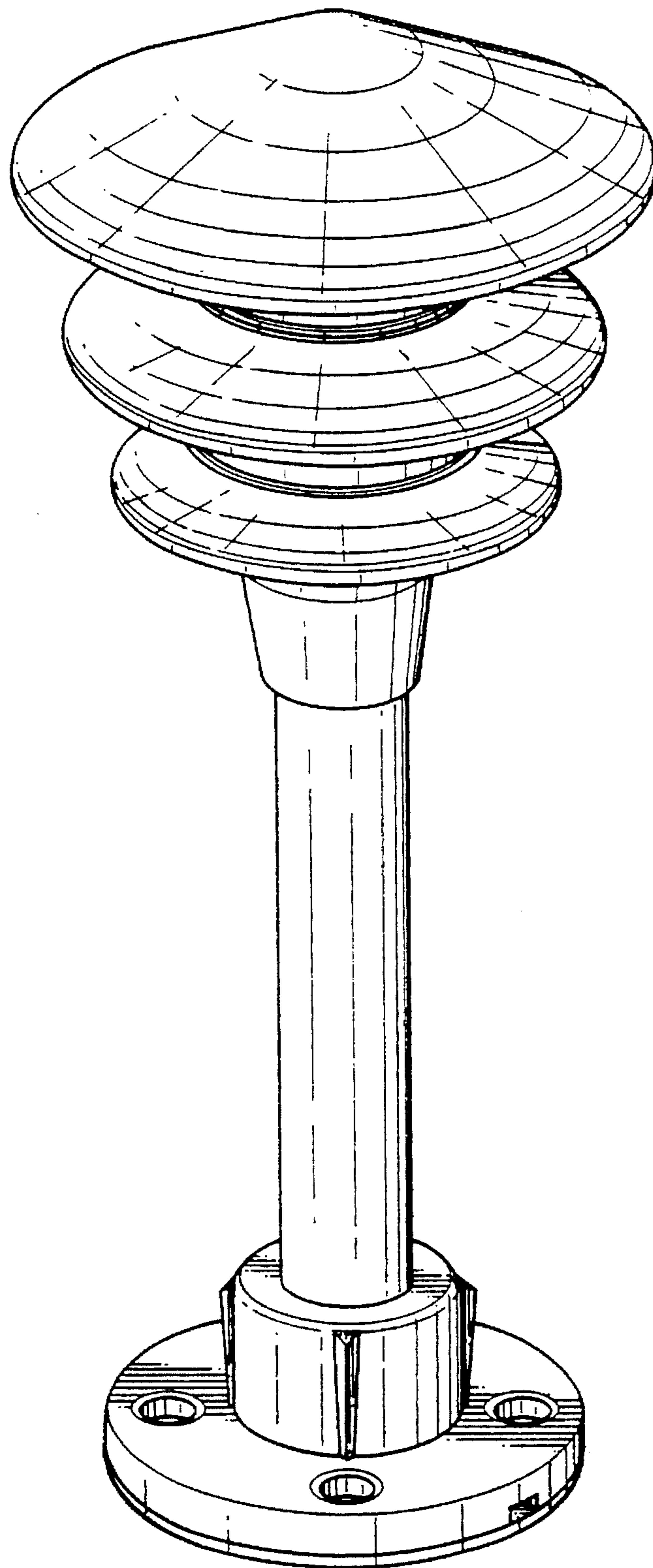


FIG. 1

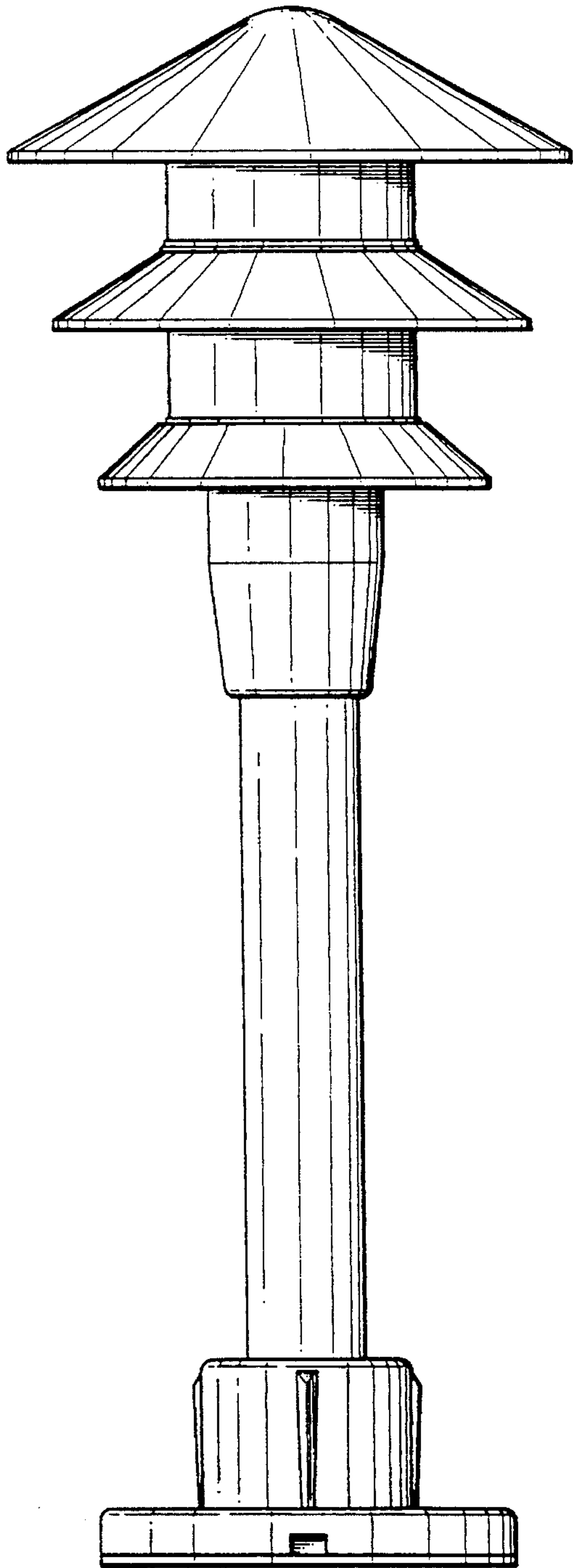


FIG. 2

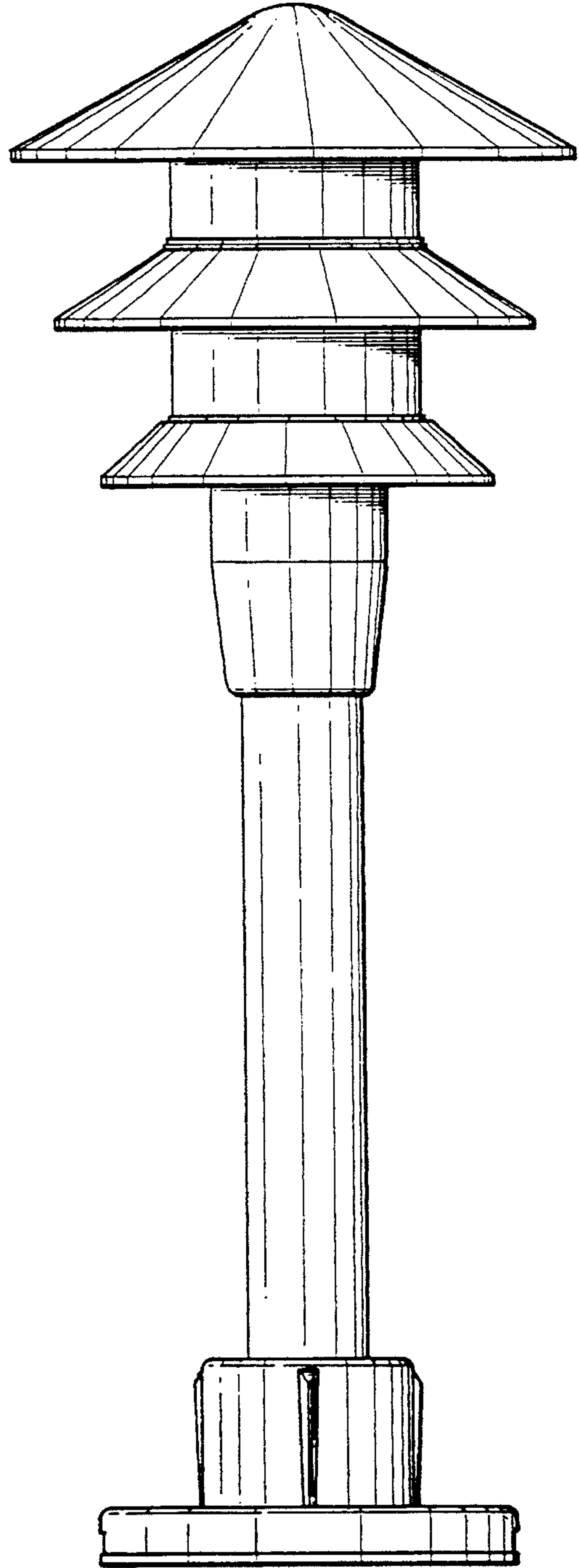


FIG. 3

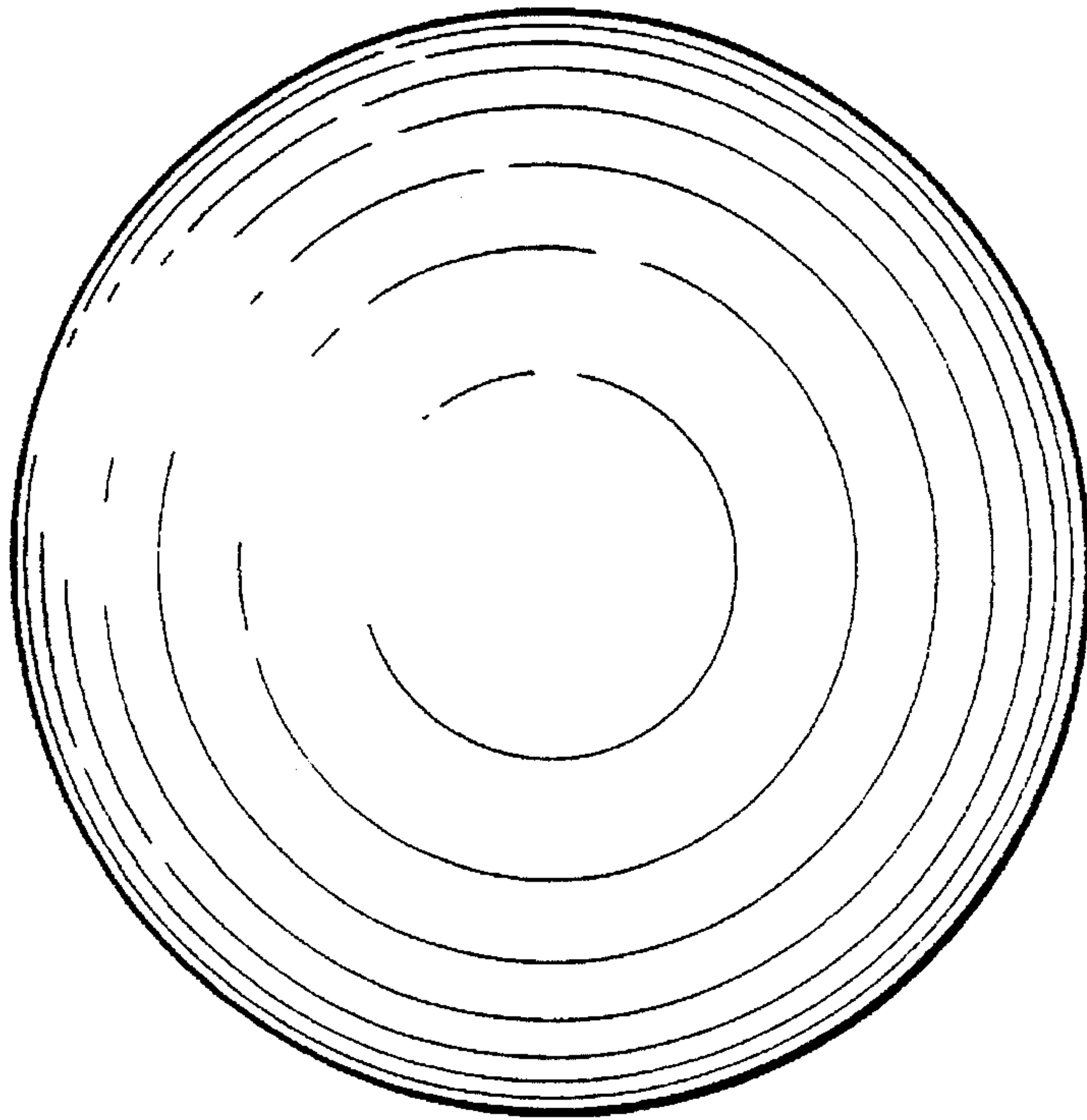


FIG. 4

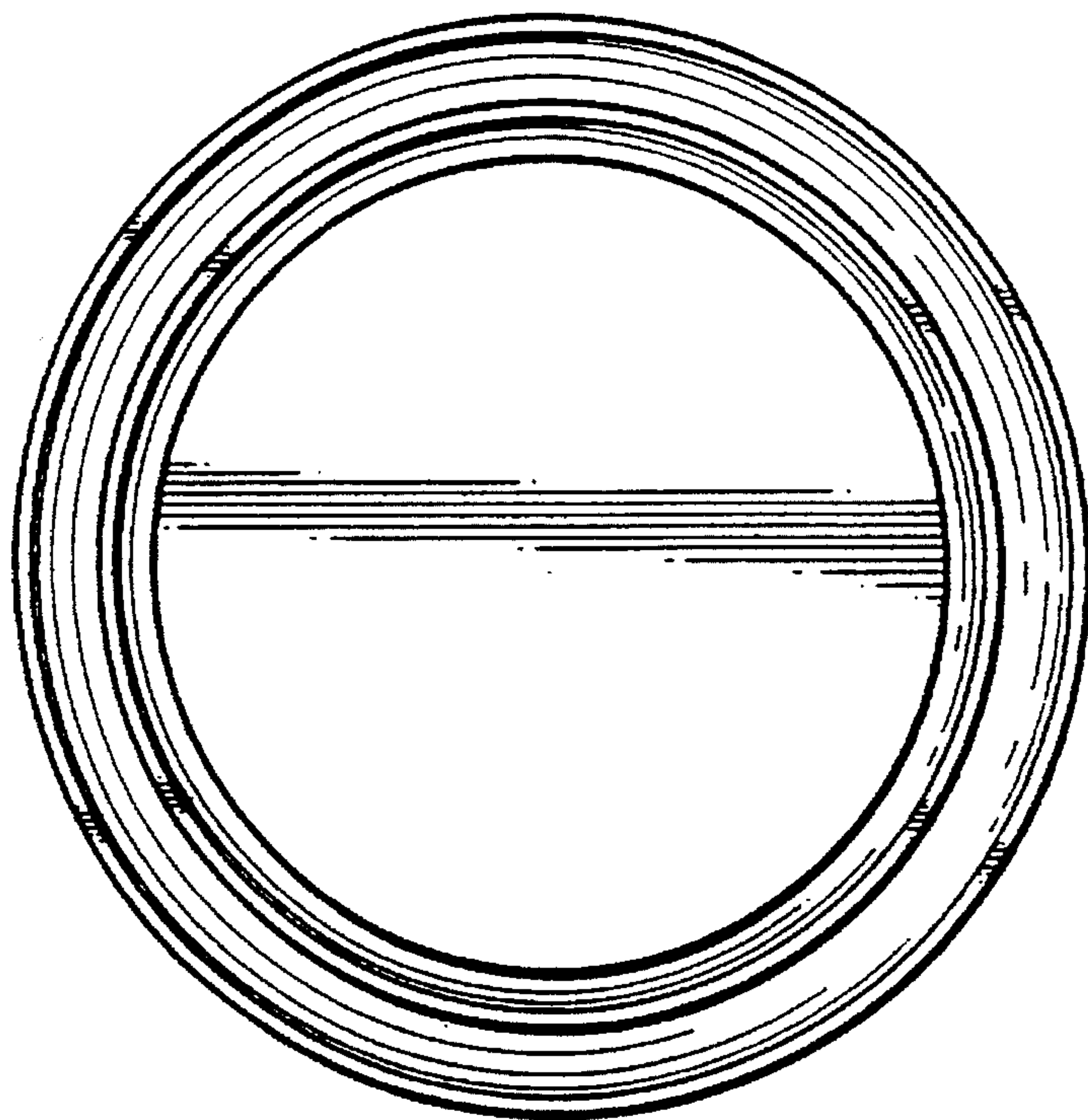


FIG. 5