



US00D377227S

**United States Patent** [19]

[11] **Patent Number:** **Des. 377,227**

**Nordstrom et al.**

[45] **Date of Patent:** **\*\*Jan. 7, 1997**

[54] **ADJUSTABLE DENTAL LAMP**

*Primary Examiner*—Susan J. Lucas

[75] Inventors: **Carl G. Nordstrom**, Lake Oswego;  
**Stephen N. Weiler**, Tualatin, both of  
Oreg.

*Attorney, Agent, or Firm*—Klarquist Sparkman Campbell  
Leigh & Winston, LLP

[73] Assignee: **A-Dec, Inc.**, Newberg, Oreg.

[57] **CLAIM**

[\*\*] Term: **14 Years**

The ornamental design for a adjustable dental lamp, as  
shown and described.

[21] Appl. No.: **44,803**

**DESCRIPTION**

[22] Filed: **Sep. 27, 1995**

FIG. 1 is a perspective view of a adjustable dental lamp  
showing our new design;

[52] U.S. Cl. .... **D26/65**

FIG. 2 is a left-side elevational view;

[58] **Field of Search** ..... D26/24, 61, 63,  
D26/65; 362/362, 269, 275, 418, 419, 421,  
427, 804

FIG. 3 is a right-side elevational view;

FIG. 4 is a top plan view;

[56] **References Cited**

**U.S. PATENT DOCUMENTS**

4,837,668 6/1989 Koehler ..... 362/804 X

FIG. 5 is a bottom plan view;

FIG. 6 is a front elevational view; and,

FIG. 7 is a rear elevational view.

**OTHER PUBLICATIONS**

Specification for A-Dec Light, pp. 89-94 in *A-Dec Equip-  
ment Catalog*, Sep. 1991.

**1 Claim, 3 Drawing Sheets**

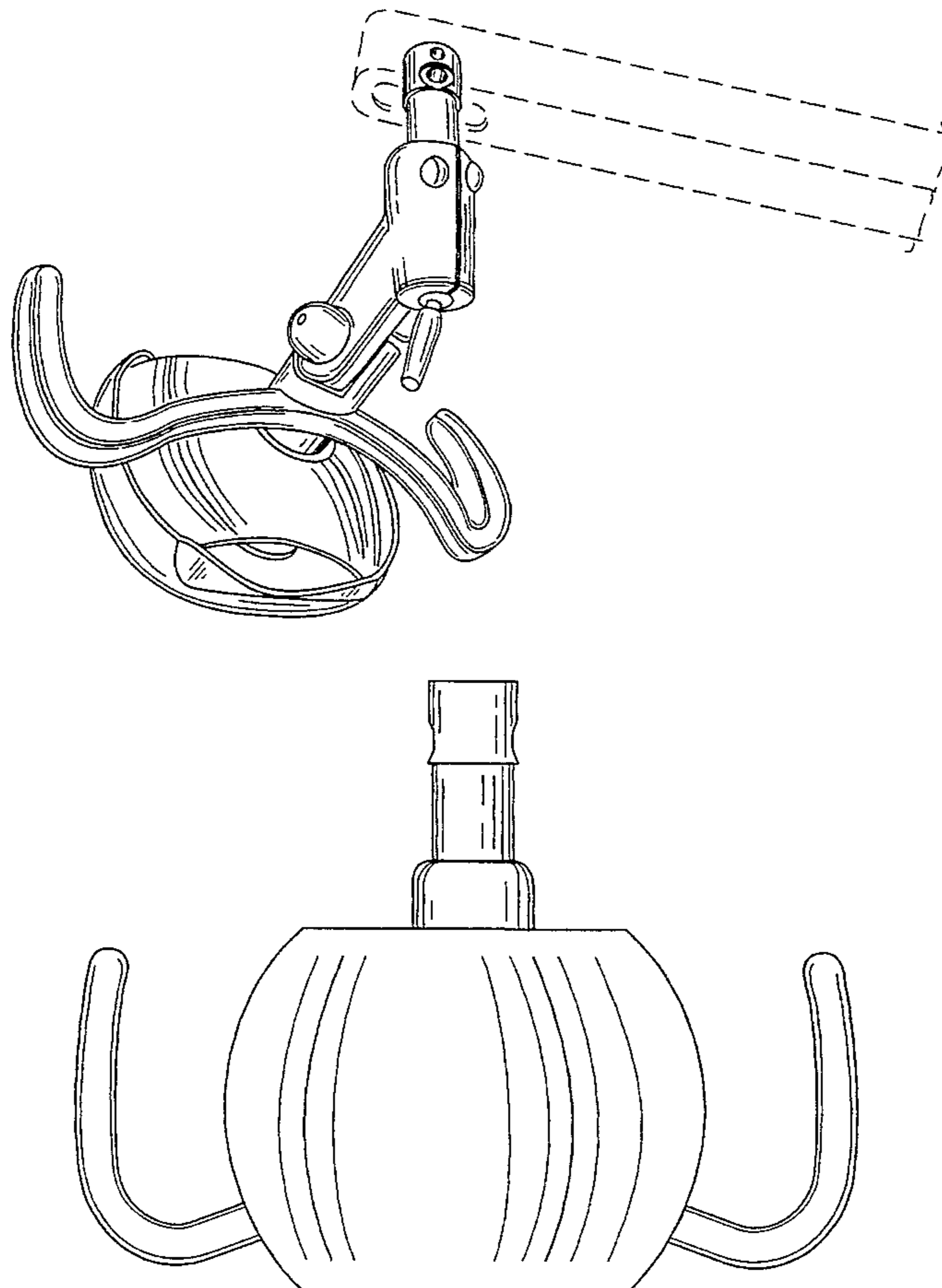


FIG. 1

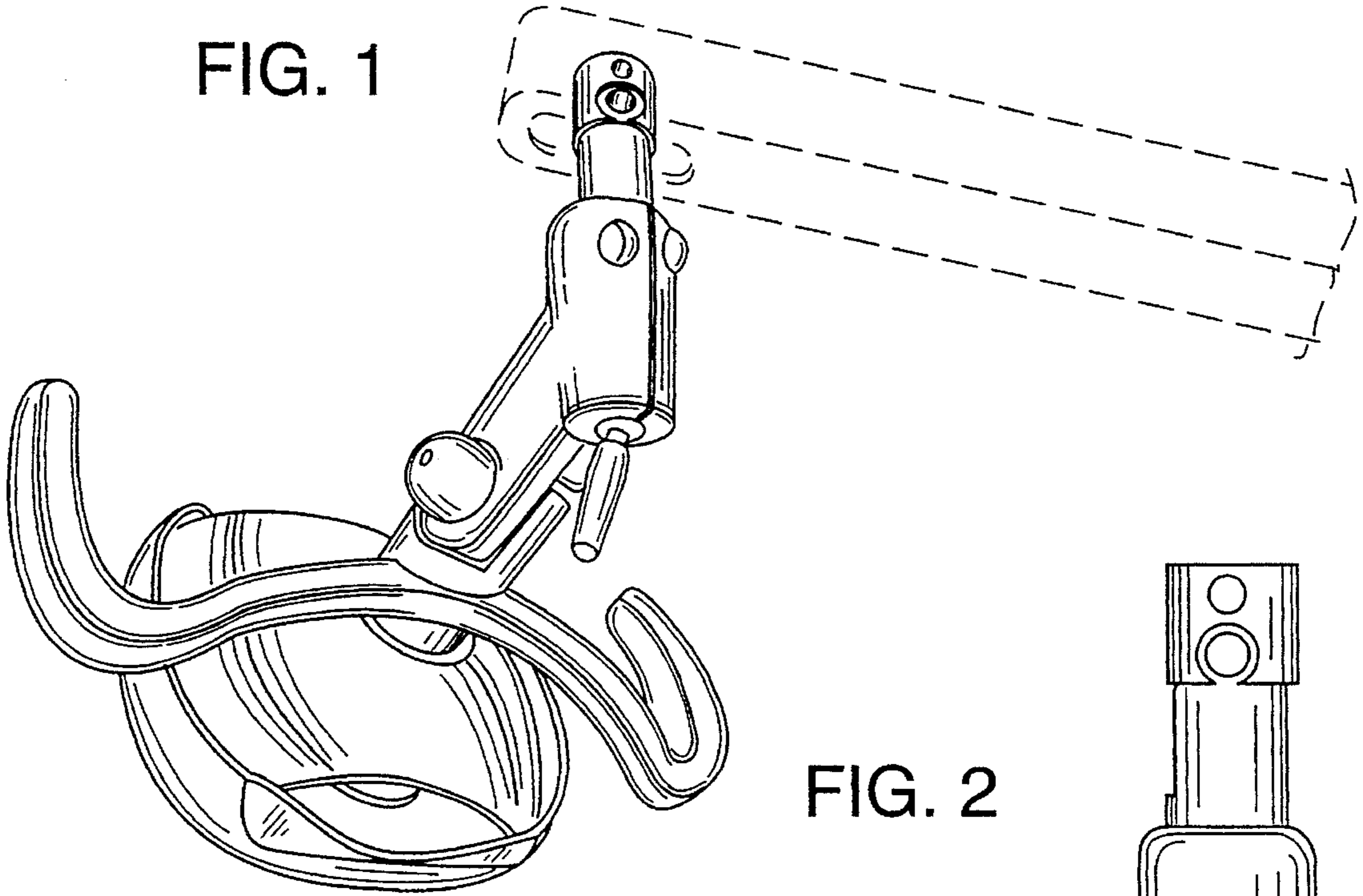


FIG. 2

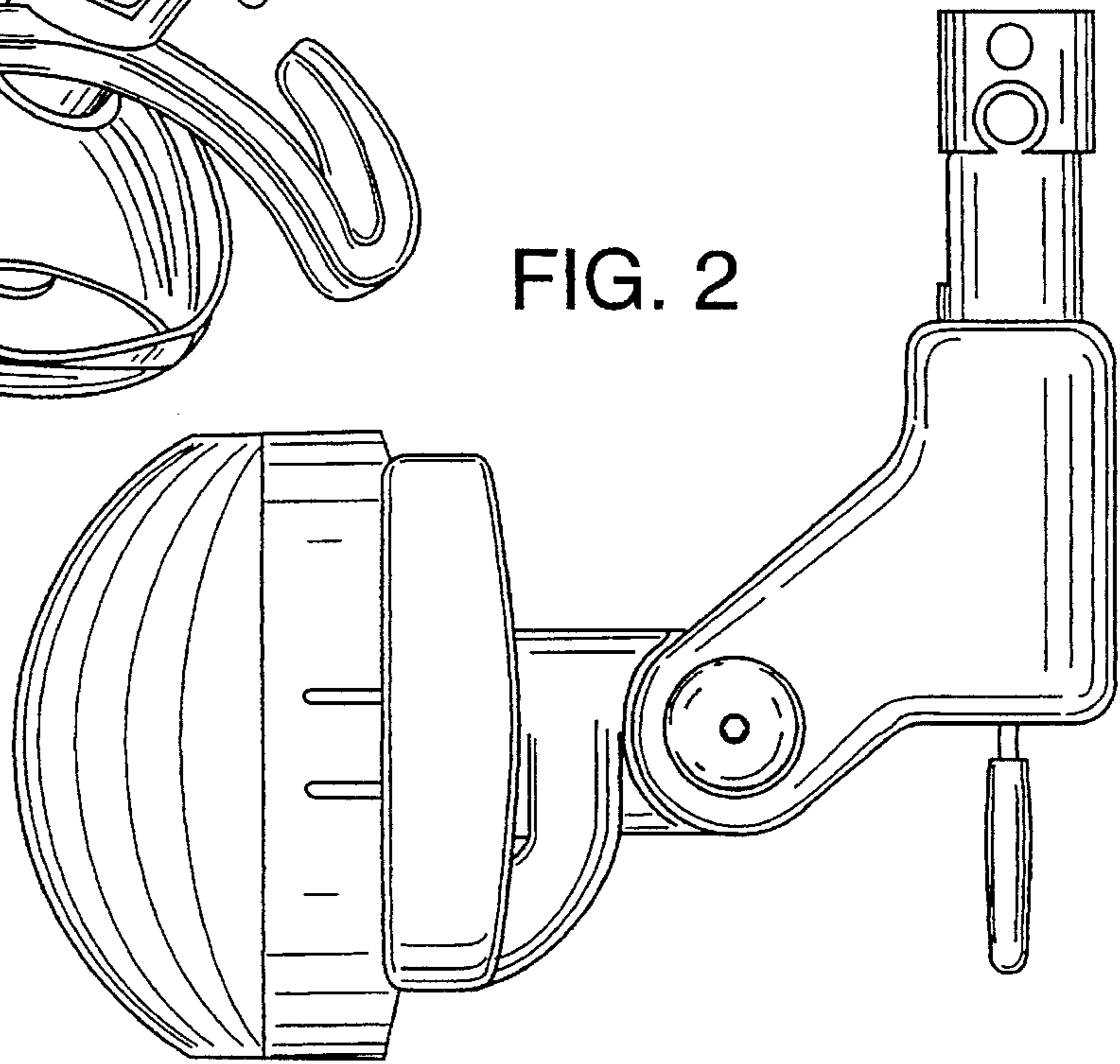


FIG. 3

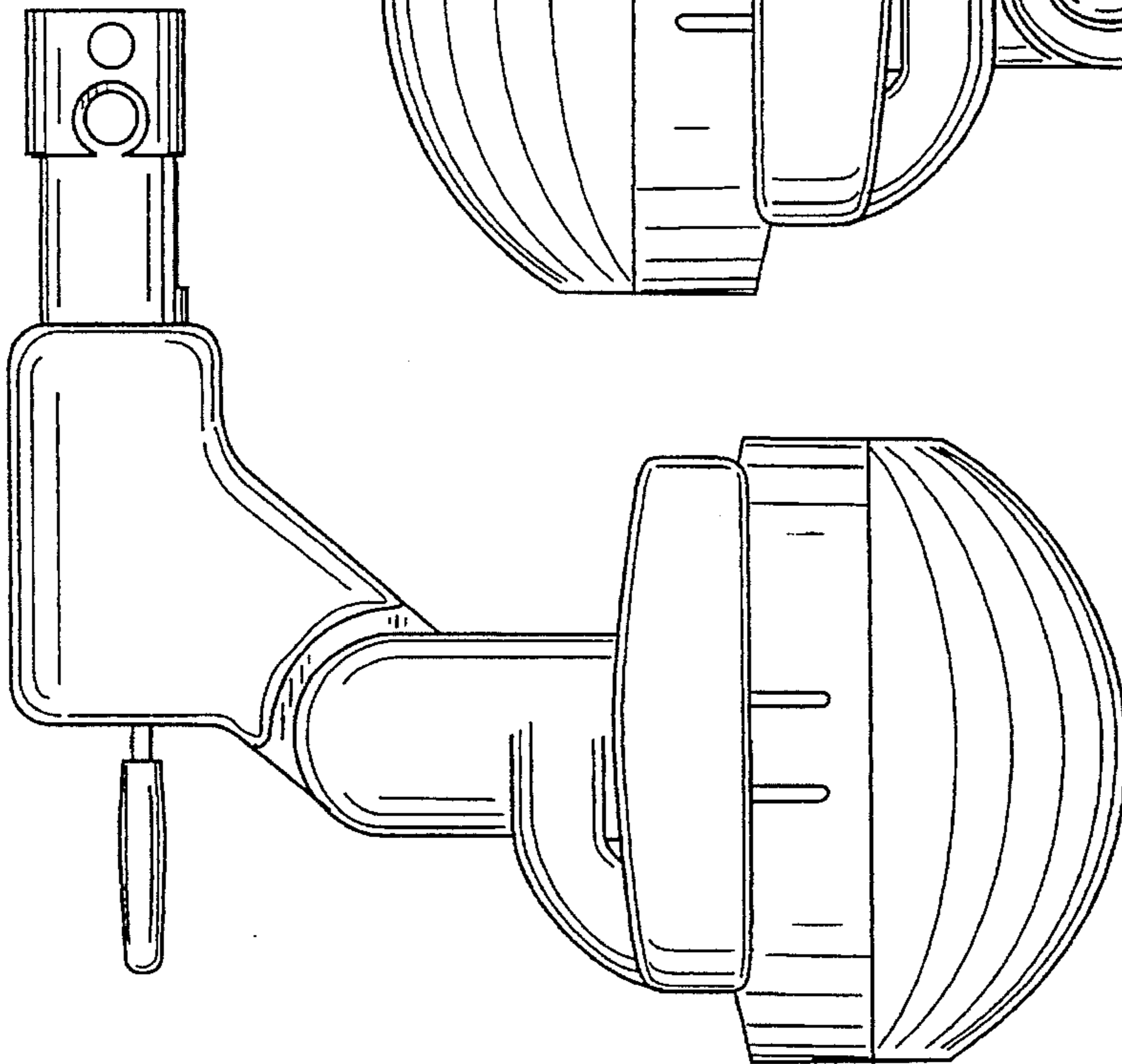


FIG. 4

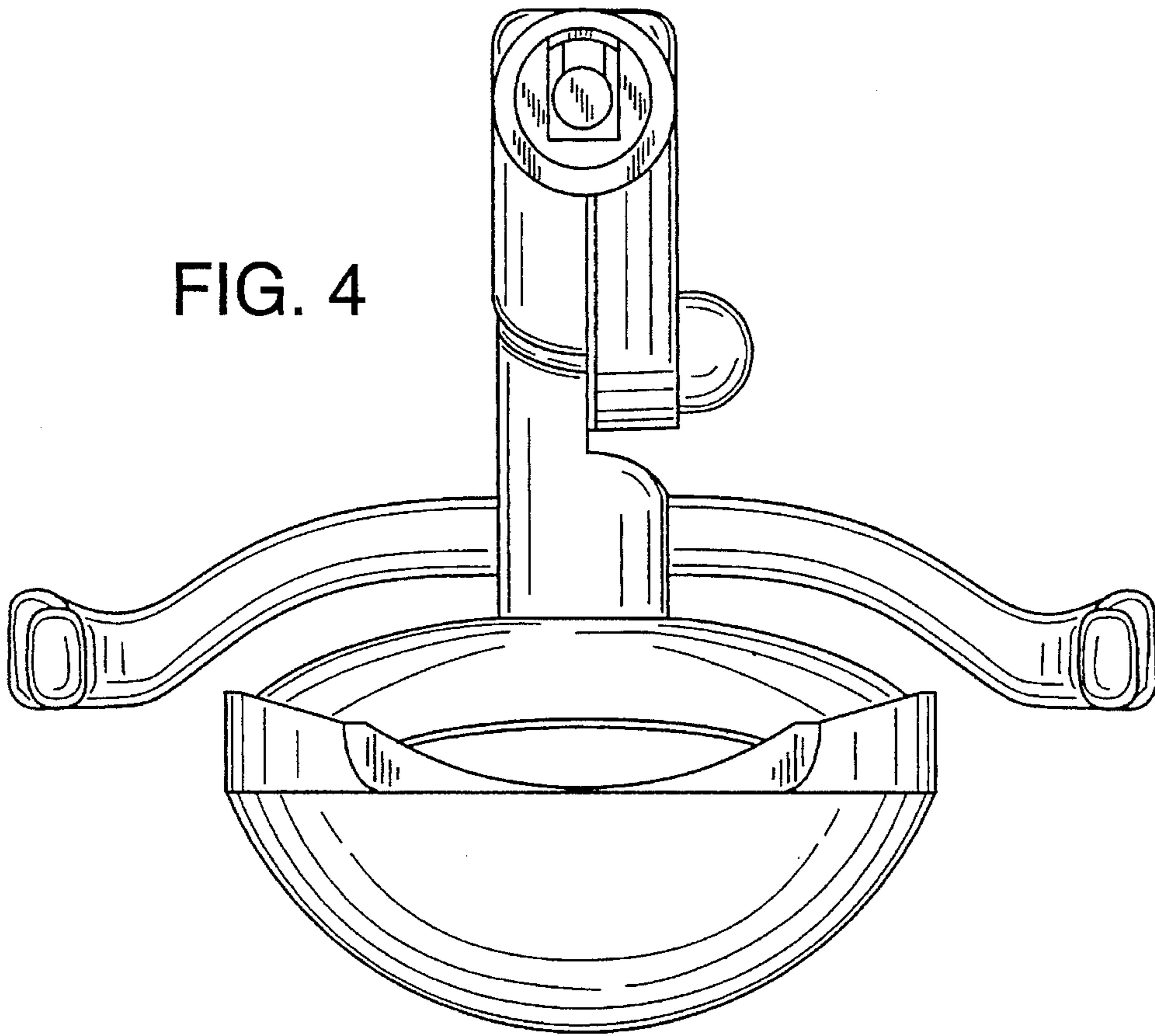


FIG. 5

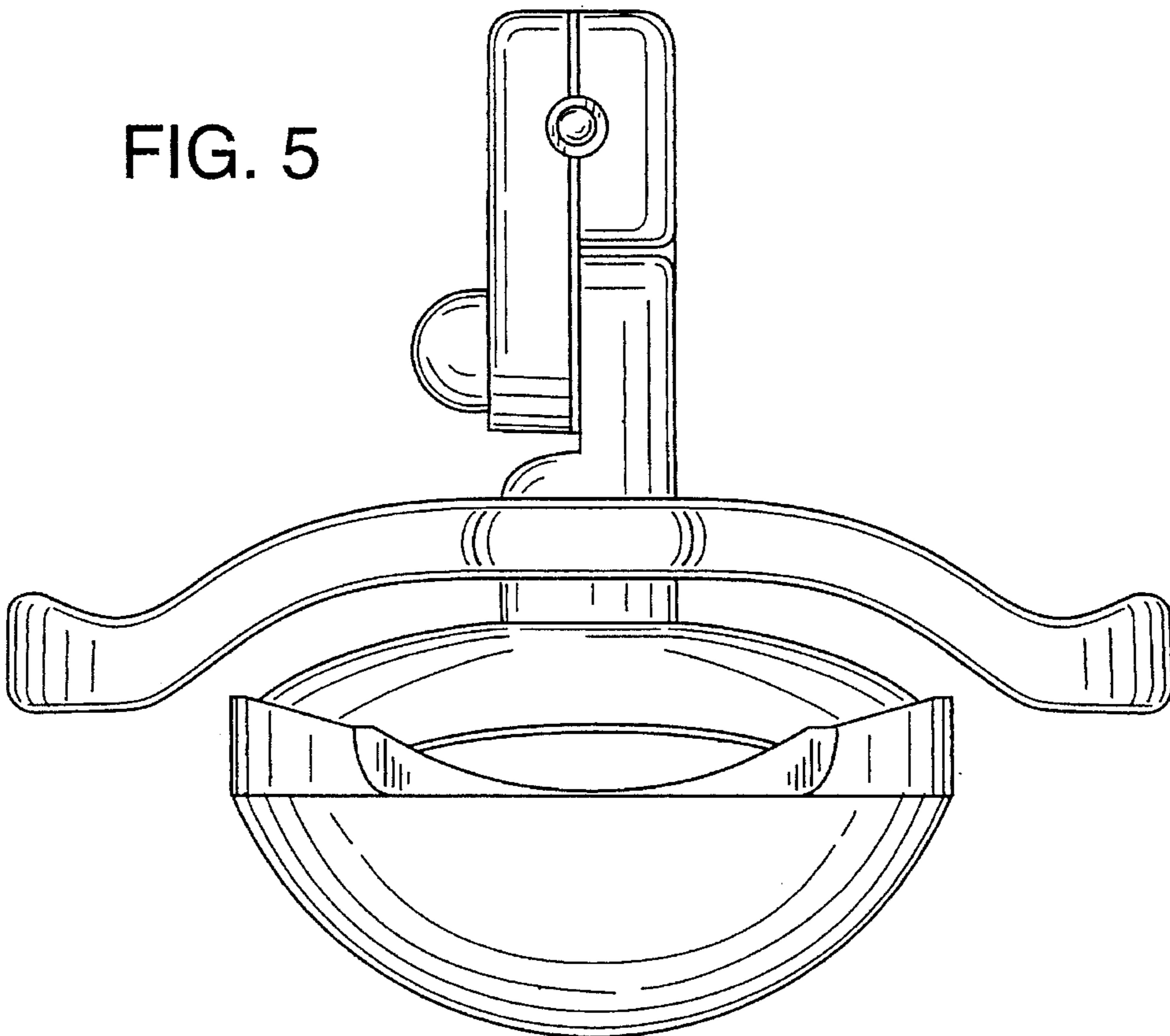


FIG. 6

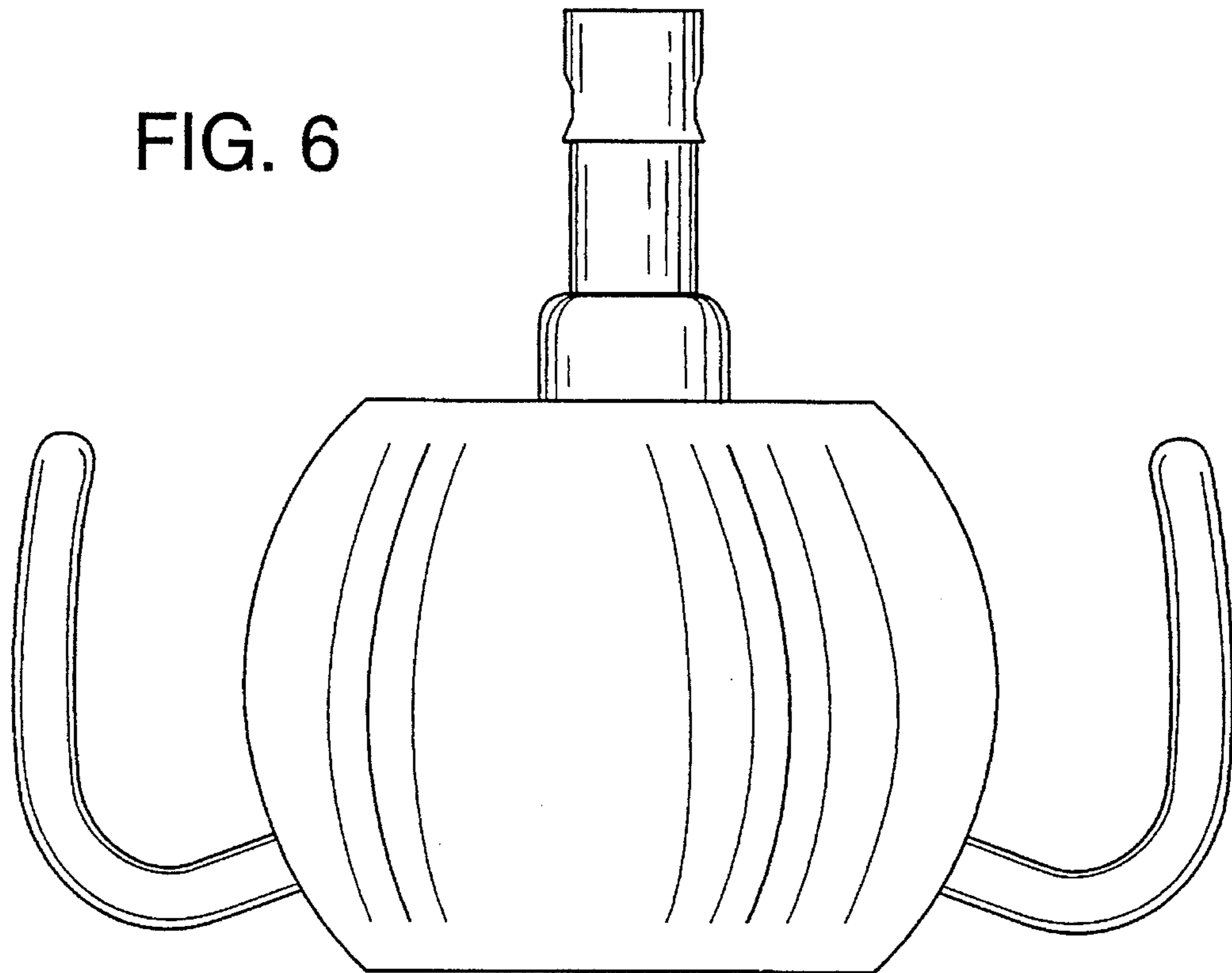


FIG. 7

