



US00D377225S

# United States Patent [19]

Bedrosian et al.

[11] Patent Number: **Des. 377,225**

[45] Date of Patent: **\*\*Jan. 7, 1997**

[54] **LIGHT FIXTURE FOR A MOTORCYCLE**

[76] Inventors: **Yerchanik Bedrosian**, 9618 Tajunga Canyon Blvd., Tajunga, Calif. 91042; **Ara Bedrosian; Shant Bedrosian**, both of 12670 Pierce St., Pacoima, Calif. 91331

[\*\*] Term: **14 Years**

[21] Appl. No.: **50,161**

[22] Filed: **Feb. 12, 1996**

[52] U.S. Cl. .... **D26/28**

[58] **Field of Search** ..... D10/114, 115; D26/28-36; 362/82, 83, 83.3, 61, 72, 80, 80.1, 157, 158, 297, 183-202, 311; D8/349, 373

[56] **References Cited**

**U.S. PATENT DOCUMENTS**

D. 354,361 1/1995 Nadramia ..... D26/28

D. 360,957 8/1995 Zerner ..... D26/28  
D. 366,128 1/1996 Tessing ..... D26/28  
D. 369,223 4/1996 Happer, Jr. et al. .... D26/28

*Primary Examiner*—Marcus A. Jackson  
*Attorney, Agent, or Firm*—Kelly, Bauersfeld & Lowry

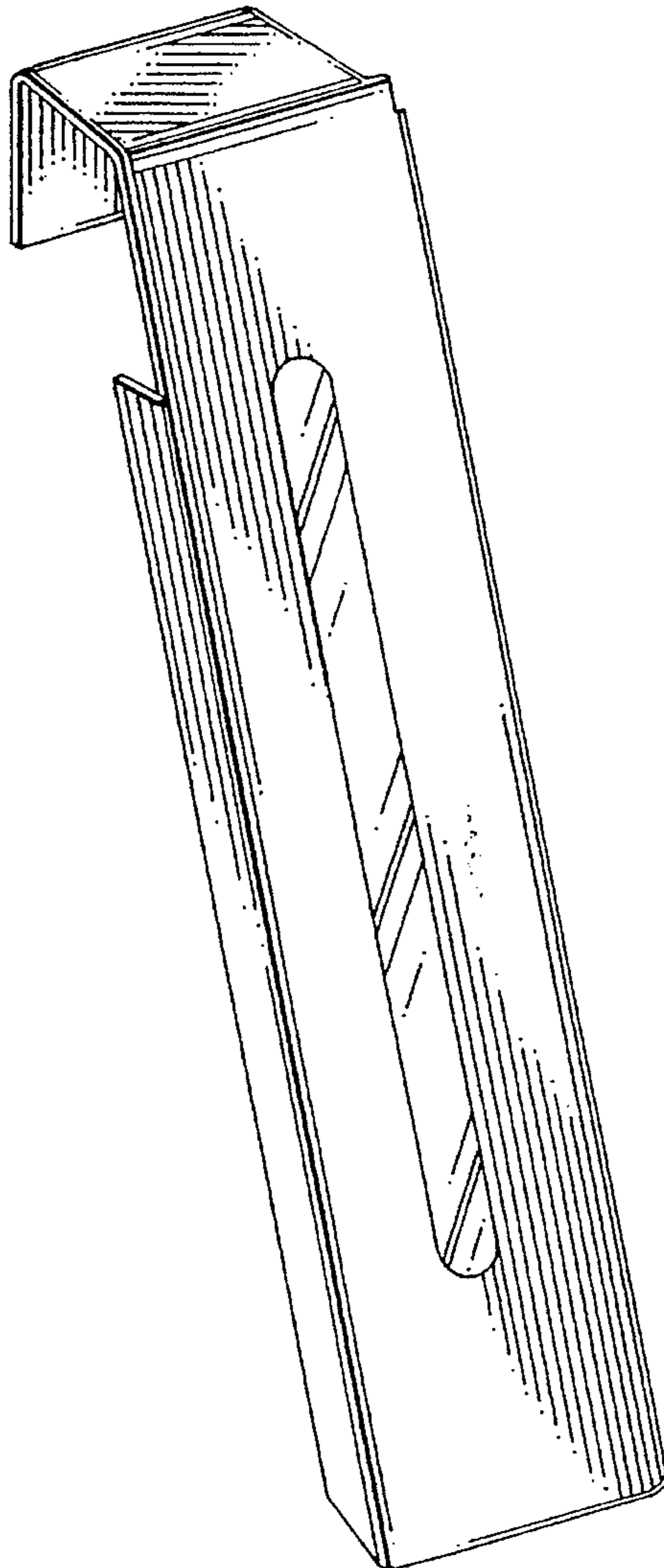
[57] **CLAIM**

The ornamental design for a light fixture for a motorcycle, as shown.

**DESCRIPTION**

FIG. 1 is a top, front and right side perspective view of a light fixture for a motorcycle embodying our new design; FIG. 2 is a right side elevational view thereof; FIG. 3 is a left side elevational view thereof; FIG. 4 is a top plan view thereof; FIG. 5 is a bottom plan view thereof; FIG. 6 is a front elevational view thereof; and, FIG. 7 is a rear elevational view thereof.

**1 Claim, 1 Drawing Sheet**



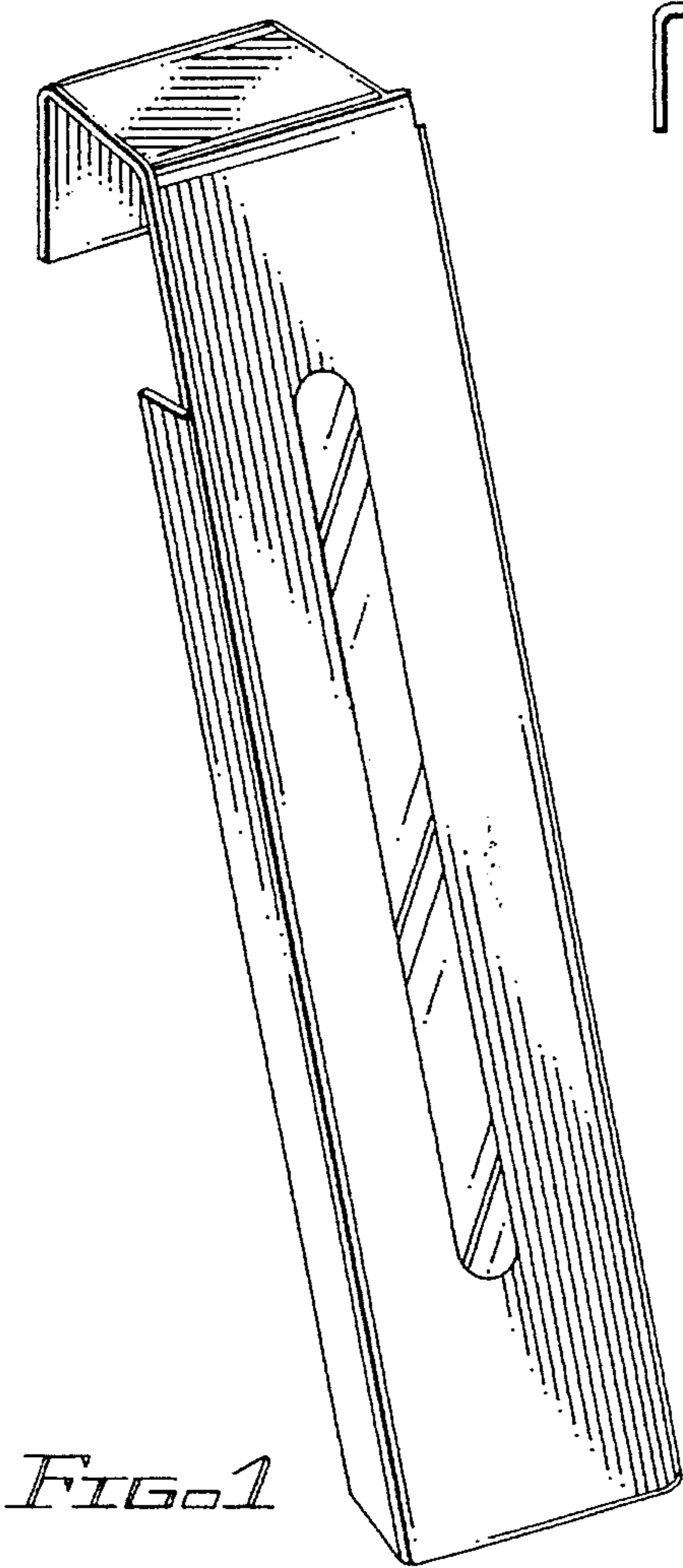


FIG. 1

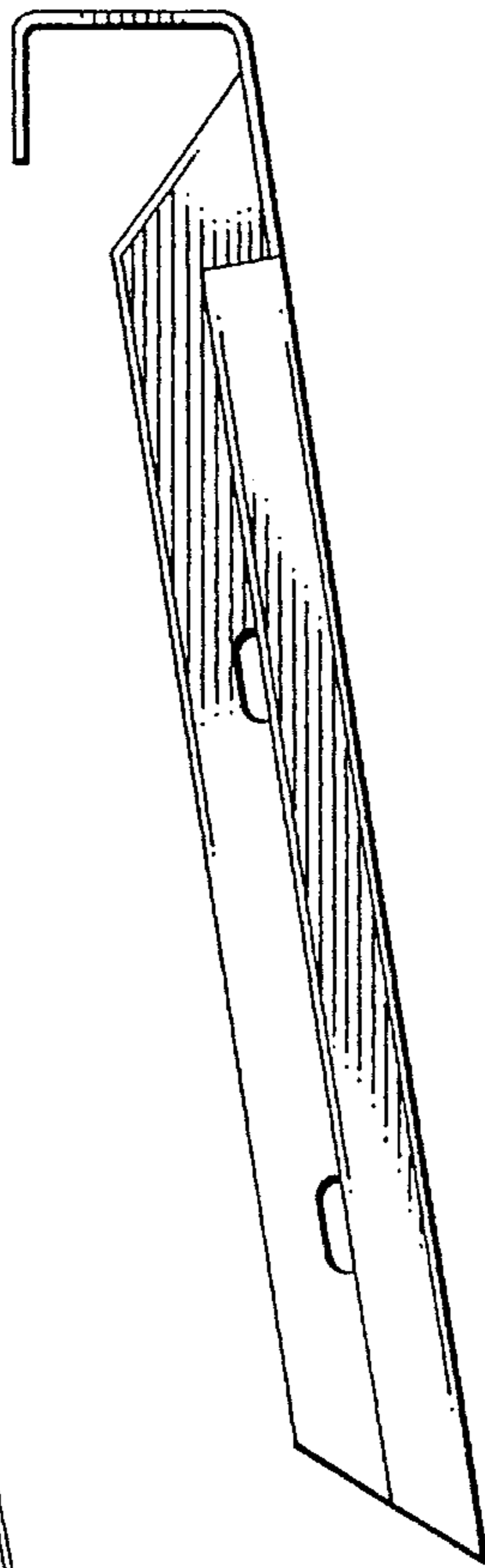


FIG. 2

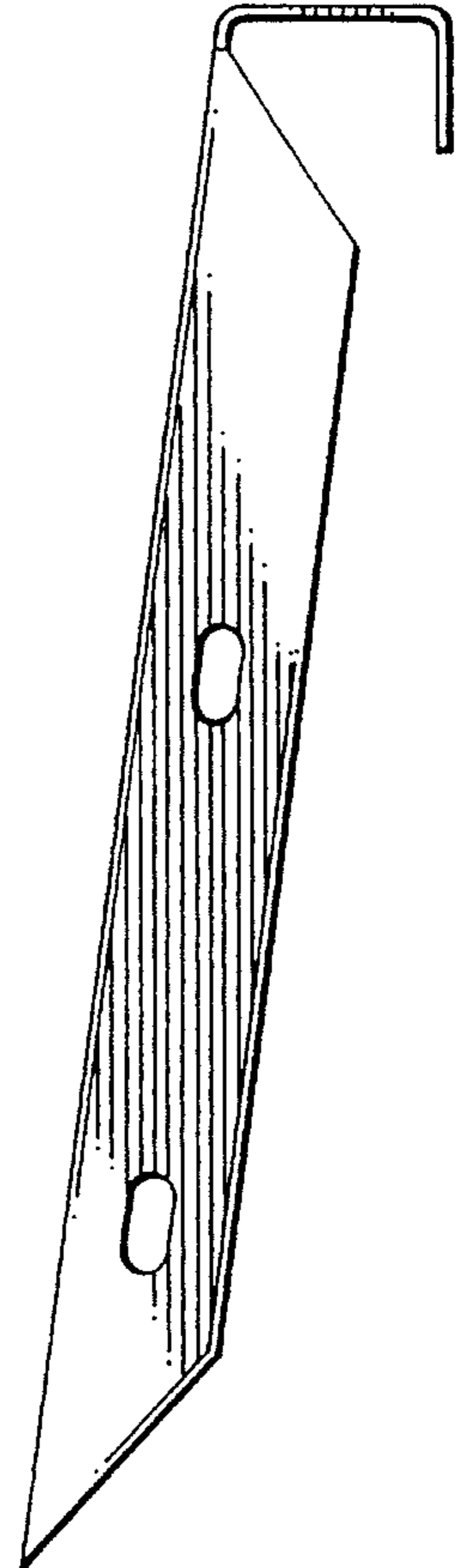


FIG. 3

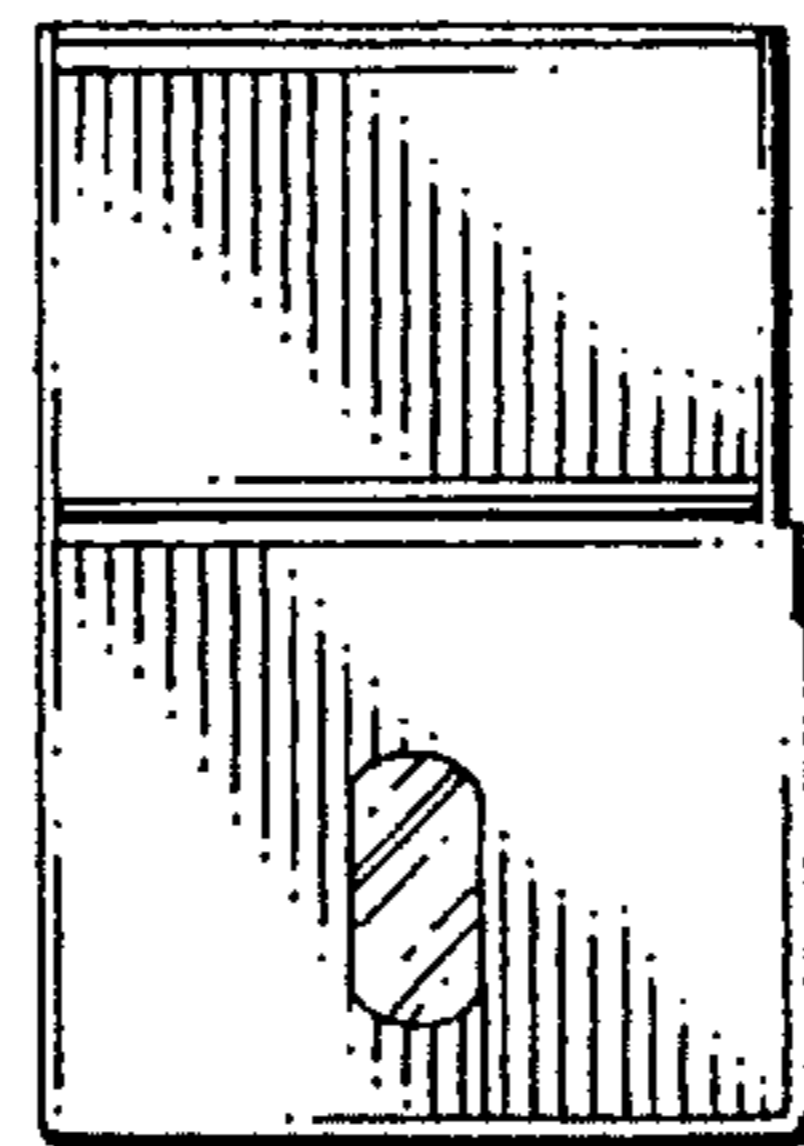


FIG. 4

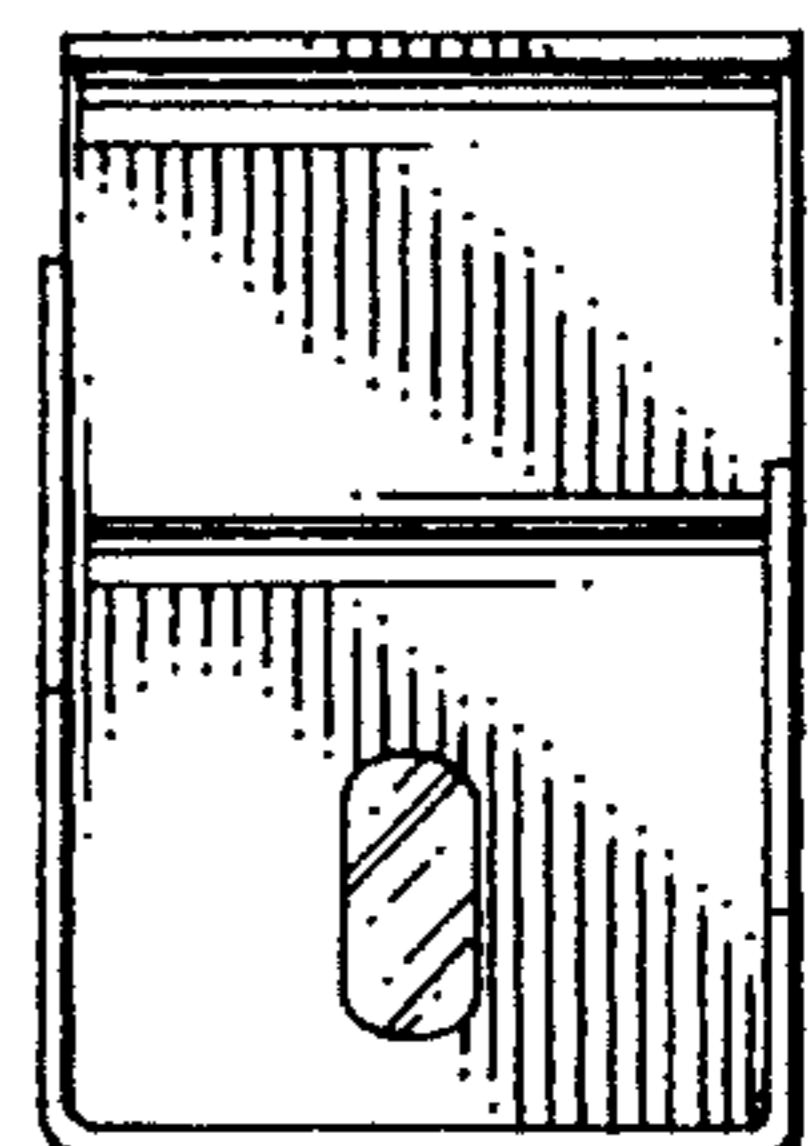


FIG. 5

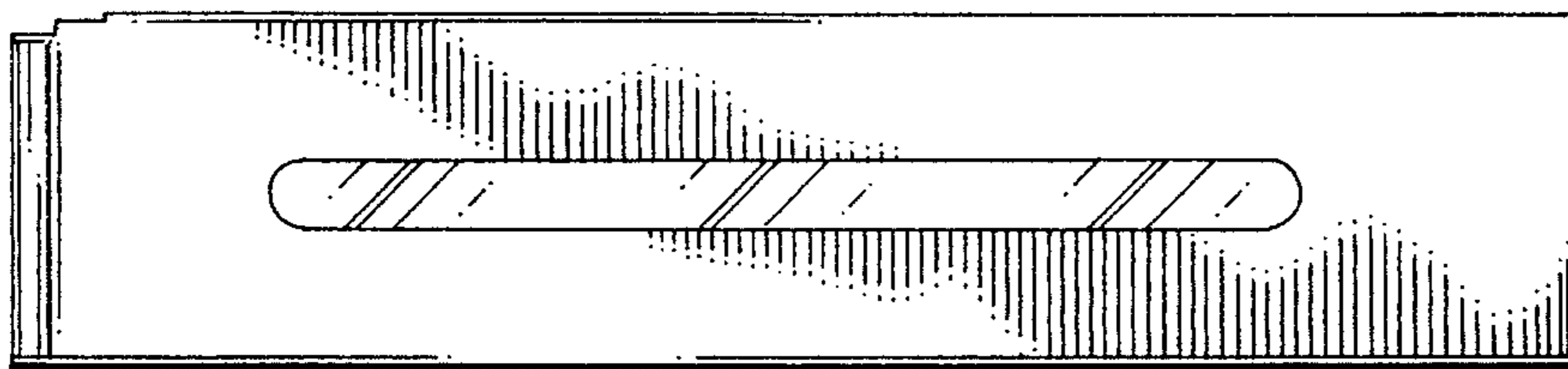


FIG. 6

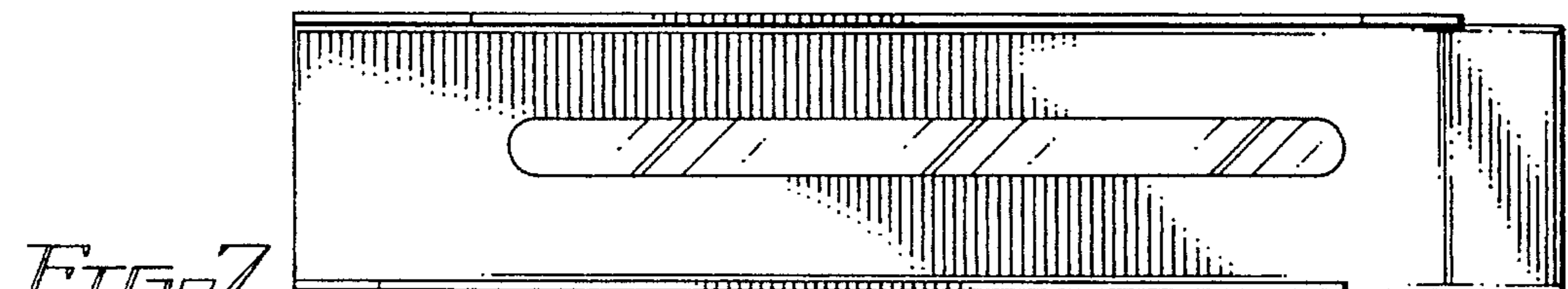


FIG. 7