



US00D377223S

**United States Patent** [19]  
**Macri**

[11] **Patent Number:** **Des. 377,223**

[45] **Date of Patent:** **\*\*Jan. 7, 1997**

[54] **SIDE LIGHT FRAME**

[75] **Inventor:** **Pablo Macri**, Brampton, Canada

[73] **Assignee:** **Yorkview Plastics Limited**, Concord,  
Canada

[\*\*] **Term:** **14 Years**

[21] **Appl. No.:** **46,194**

[22] **Filed:** **Nov. 9, 1995**

[52] **U.S. Cl.** ..... **D25/124**

[58] **Field of Search** ..... D25/60, 52, 119-125,  
D25/48; 49/501, 504, DIG. 2, 402-408;  
52/204.5, 455

[56] **References Cited**

**U.S. PATENT DOCUMENTS**

D. 301,173 5/1989 Daliare et al. .... D25/124  
5,081,793 1/1992 Mauro ..... 49/504

*Primary Examiner*—Doris Clark

[57] **CLAIM**

The ornamental design for a side light frame, as shown.

**DESCRIPTION**

FIG. 1 is a perspective view of the side light frame; and,  
FIG. 2 is an end view of the side light frame.

**1 Claim, 1 Drawing Sheet**

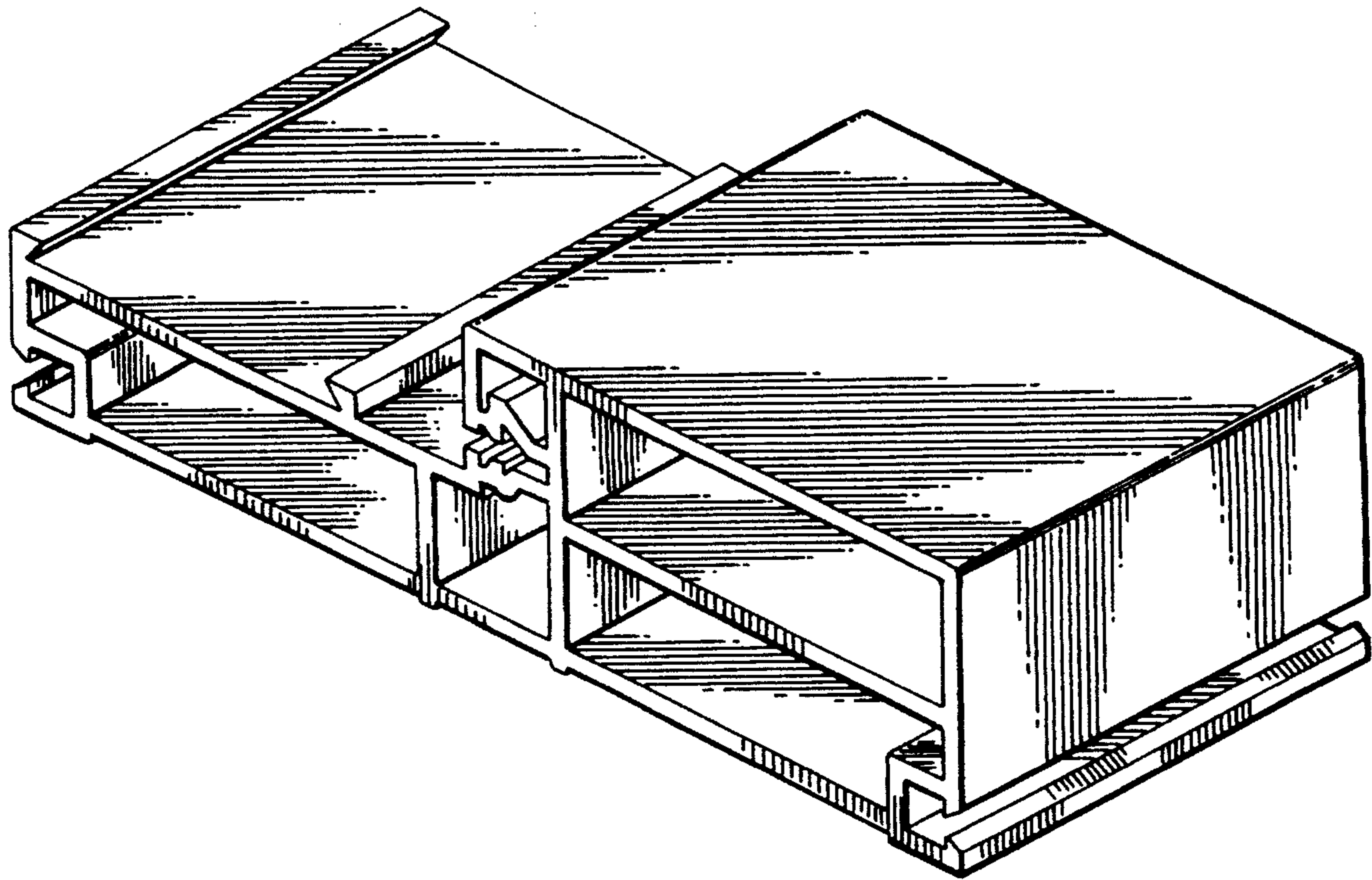


FIG. 1.

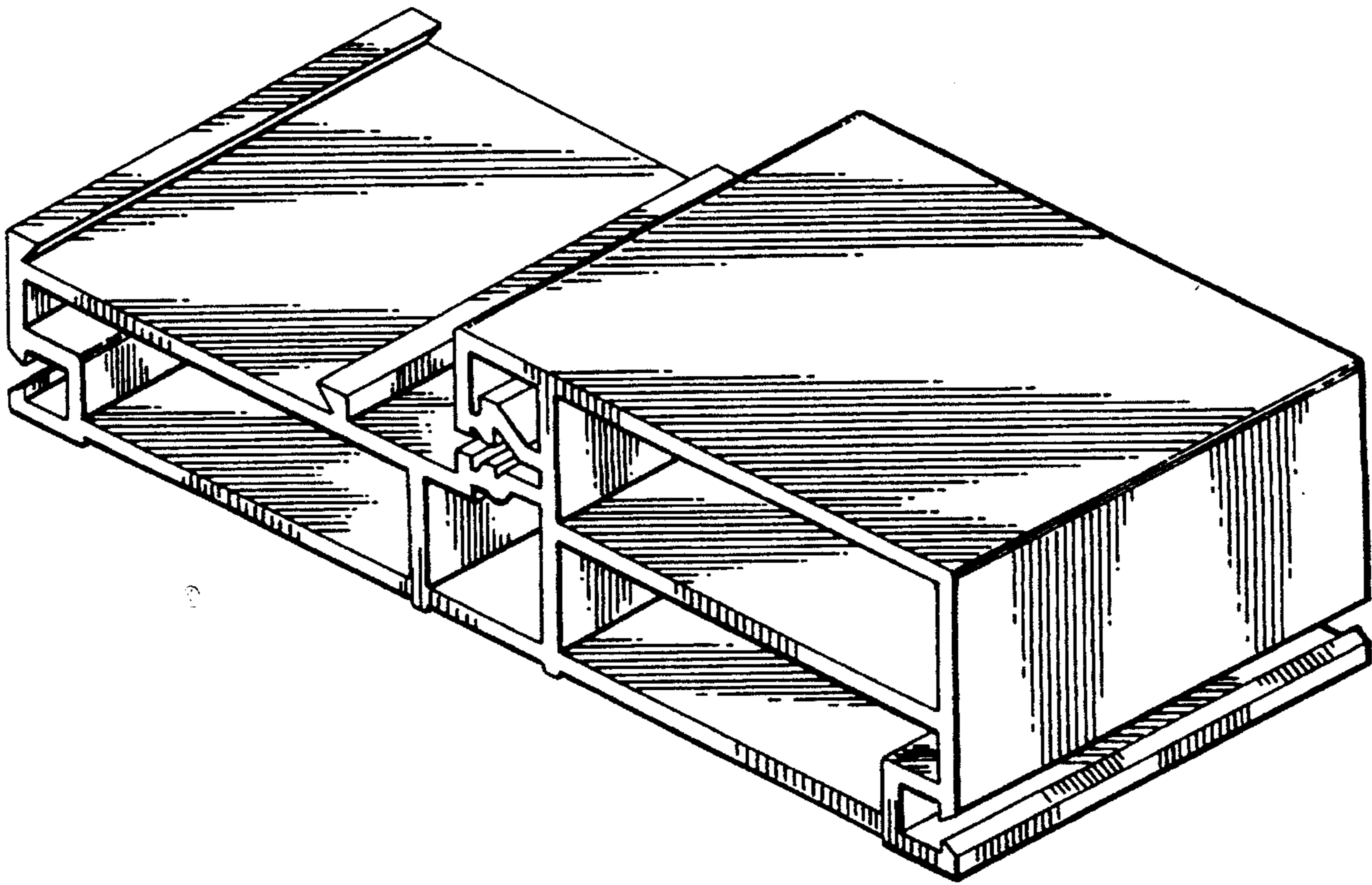


FIG. 2.

