



US00D377222S

**United States Patent** [19]  
**Pemberton**

[11] **Patent Number:** **Des. 377,222**  
[45] **Date of Patent:** **\*\*Jan. 7, 1997**

[54] **MASSAGER HEAD**

[76] Inventor: **Tom C. Pemberton**, P.O. Box 916,  
Friday Harbor, Wash. 98250

[\*\*] Term: **14 Years**

[21] Appl. No.: **49,675**

[22] Filed: **Jan. 29, 1996**

[52] U.S. Cl. .... **D24/215**

[58] Field of Search ..... D24/215; 601/118,  
601/119, 126-131

[56] **References Cited**

**U.S. PATENT DOCUMENTS**

2,038,846	4/1936	Matson .....	601/133
3,060,928	10/1962	Lowe .....	601/128
3,385,290	5/1968	Schmidt .....	601/130

*Primary Examiner*—Stella Reid  
*Attorney, Agent, or Firm*—Christensen O'Connor Johnson  
& Kindness PLLC

[57] **CLAIM**

The ornamental design for a massager head, as shown and described.

**DESCRIPTION**

FIG. 1 is a front perspective view of a massager head, showing my new design, the broken line showing is for

illustrative purposes only and forms no part of the claimed design;

FIG. 2 is a front view in elevation of the massager head of FIG. 1;

FIG. 3 is a rear view in elevation of the massager head of FIG. 1;

FIG. 4 is a side view in elevation as seen from the right-hand side of the massager head of FIG. 1;

FIG. 5 is a side view in elevation as seen from the left-hand side of the massager head of FIG. 1;

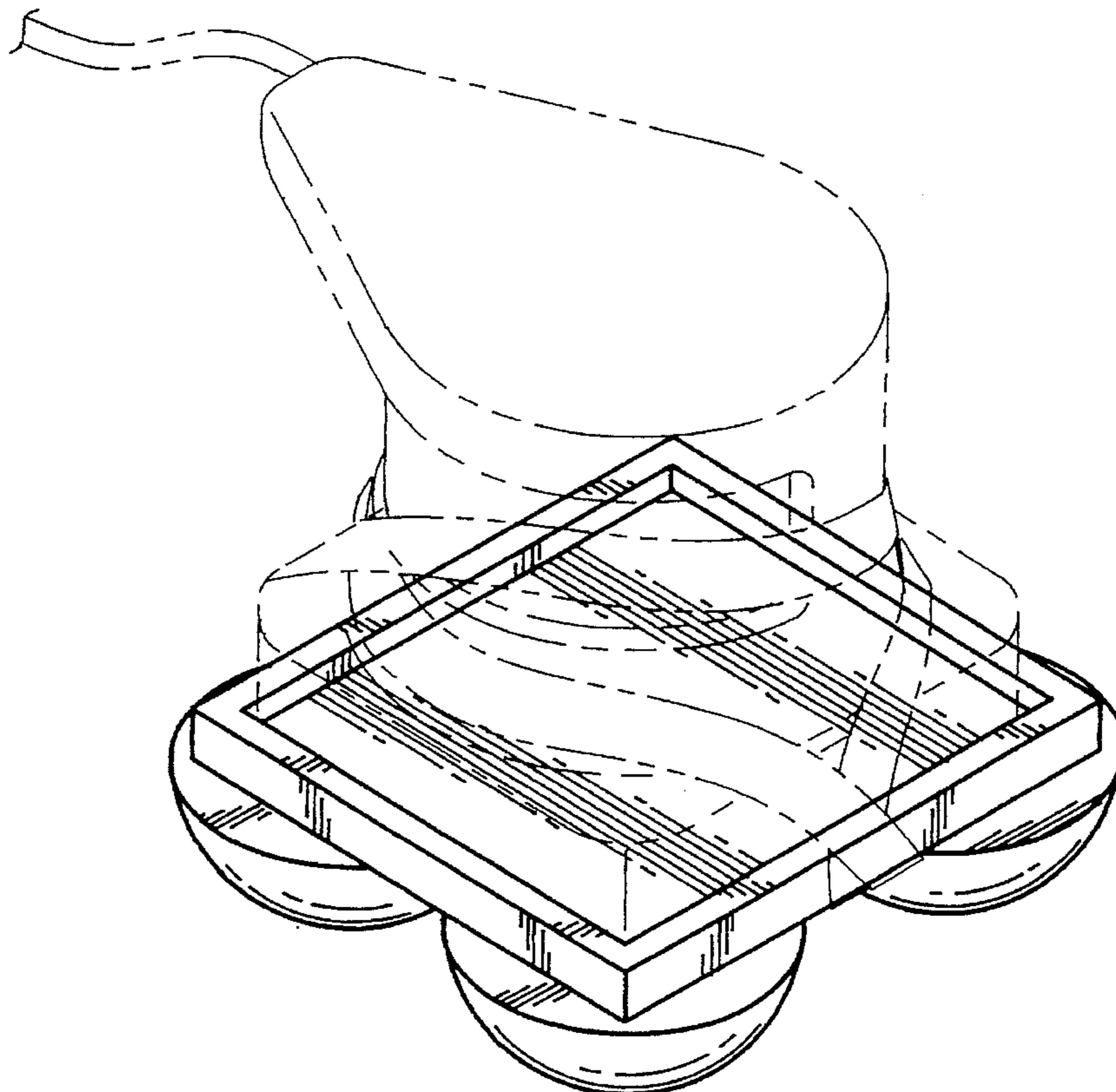
FIG. 6 is a top plan view of the massager head of FIG. 1 showing the solid embodiment of my design;

FIG. 7 is a bottom plan view of the massager head of FIG. 1;

FIG. 8 is a perspective view of a second embodiment of the massager head with the only difference residing in the hollow appearance; all other portions being identical to that shown in FIGS. 2-5 and 7; and,

FIG. 9 is a top plan view of the massager head of FIG. 8 showing the hollow embodiment of my design.

**1 Claim, 4 Drawing Sheets**



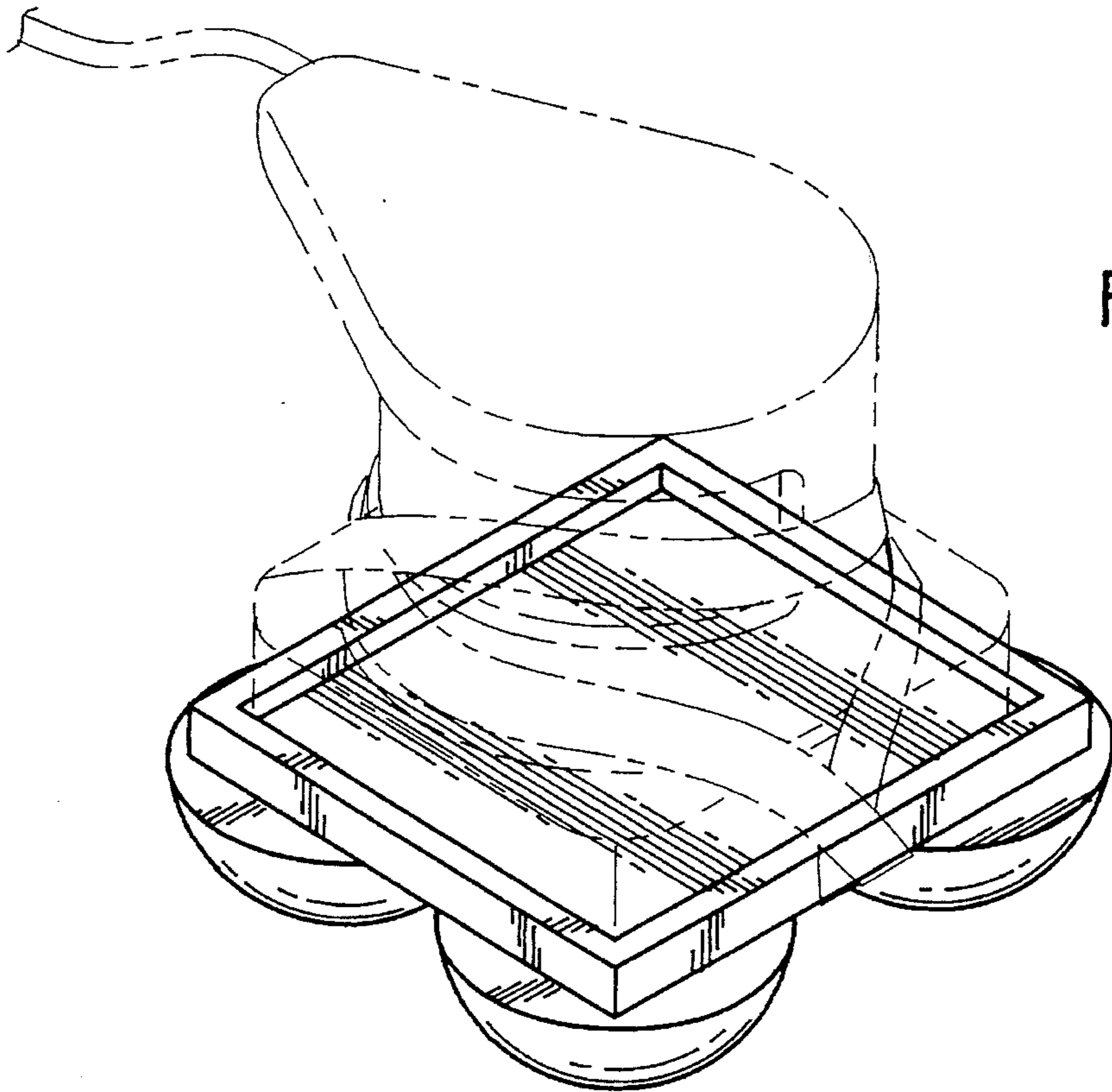


FIG. 1

FIG. 2

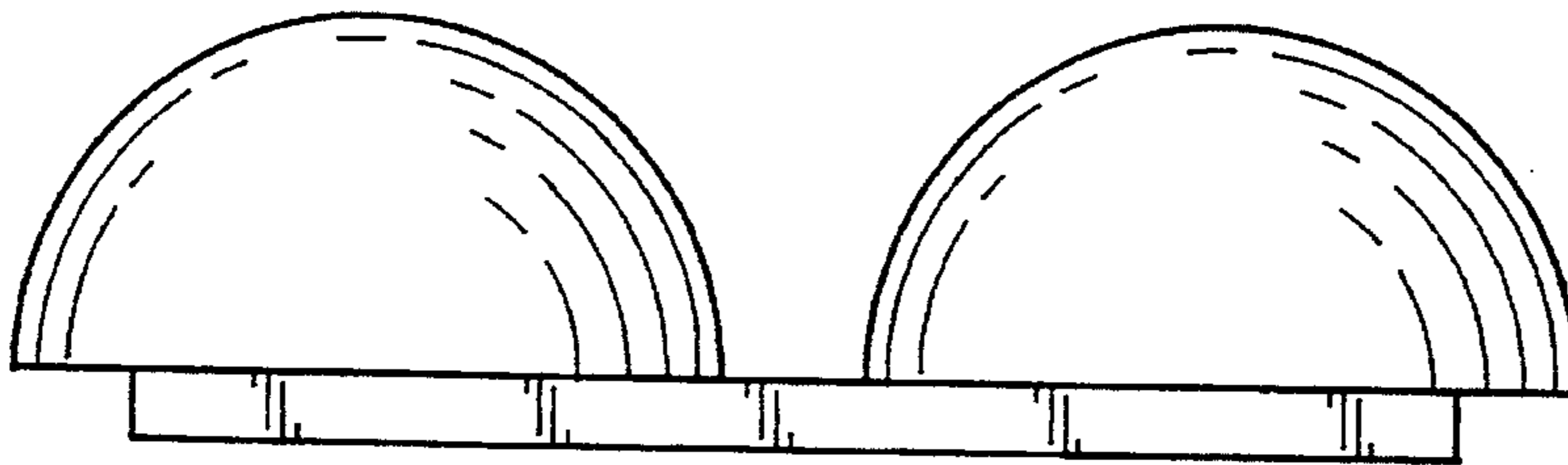


FIG. 3

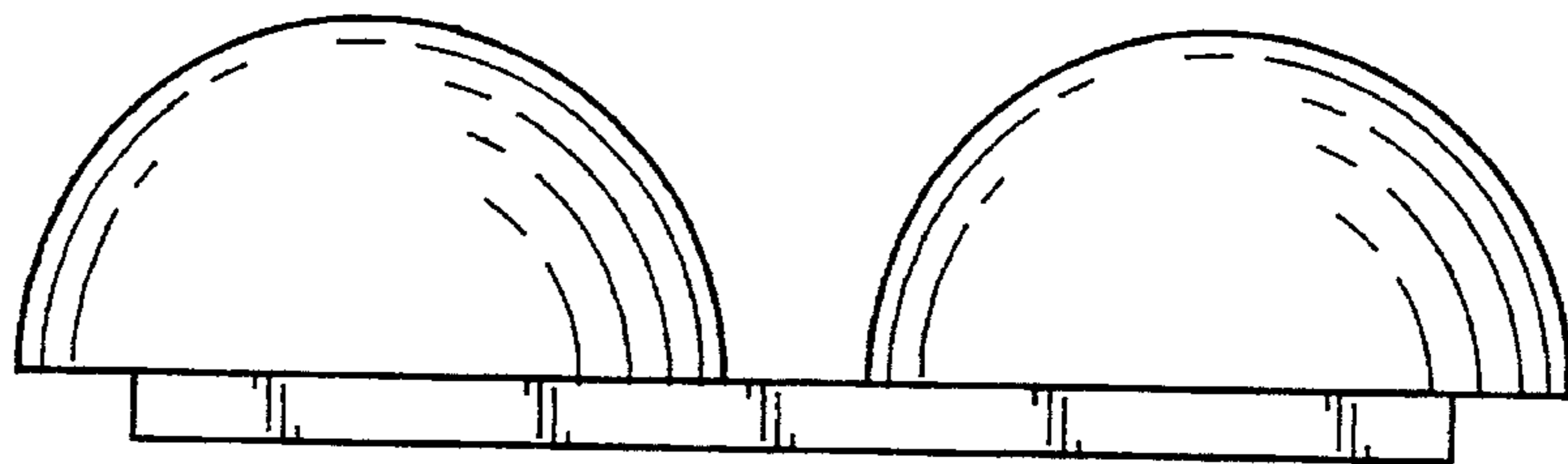


FIG. 4

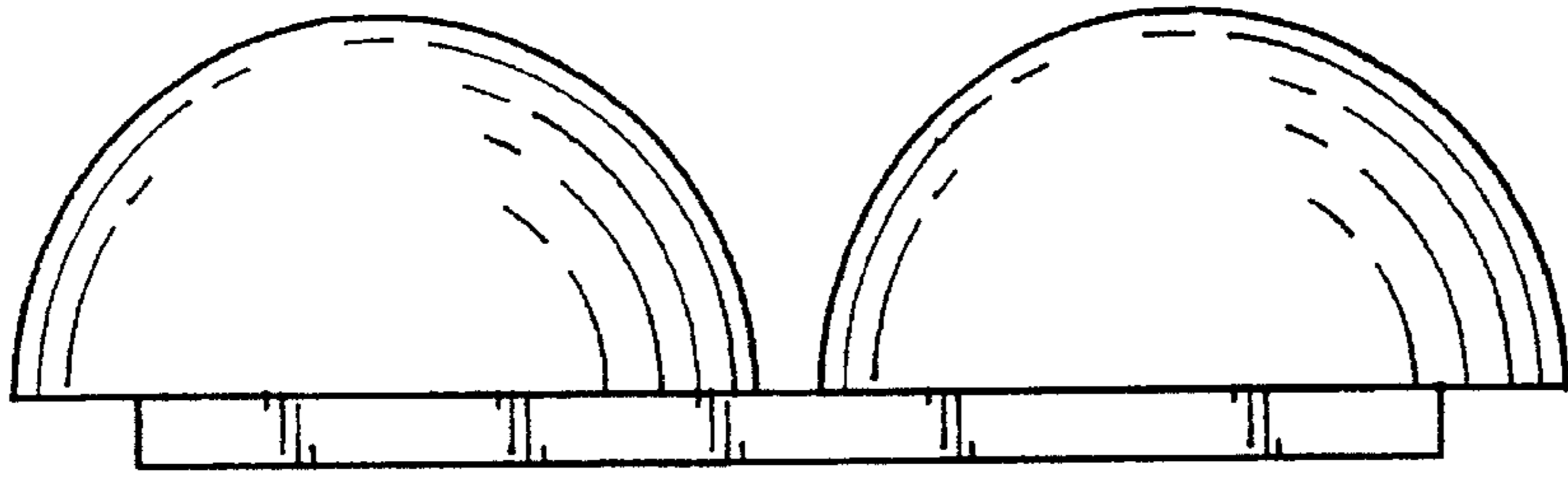


FIG. 5

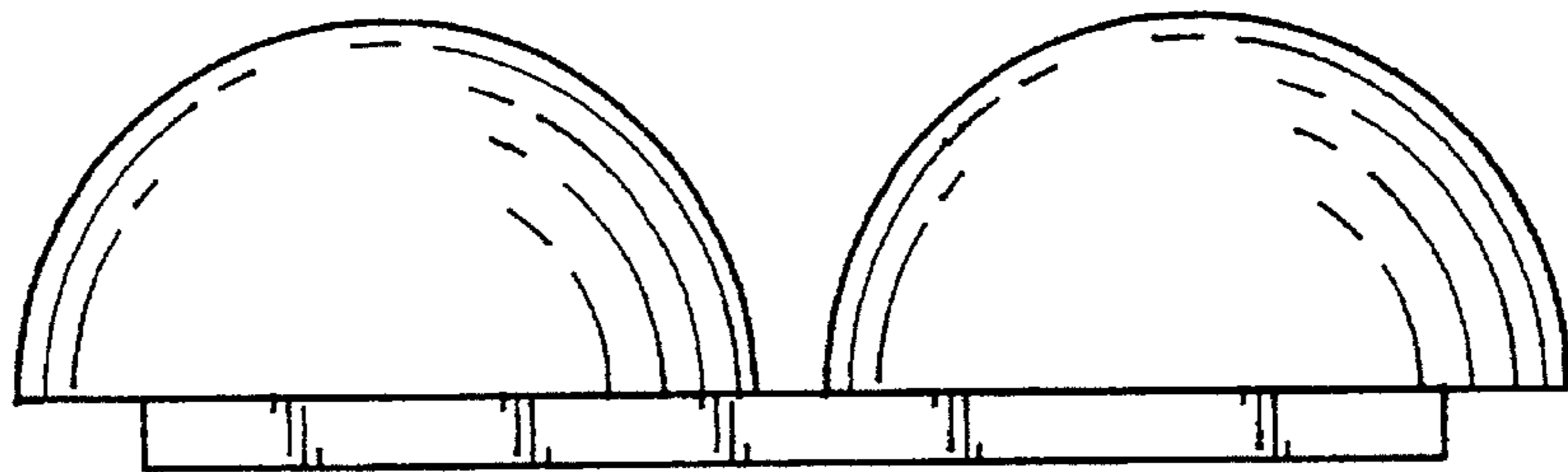


FIG. 6

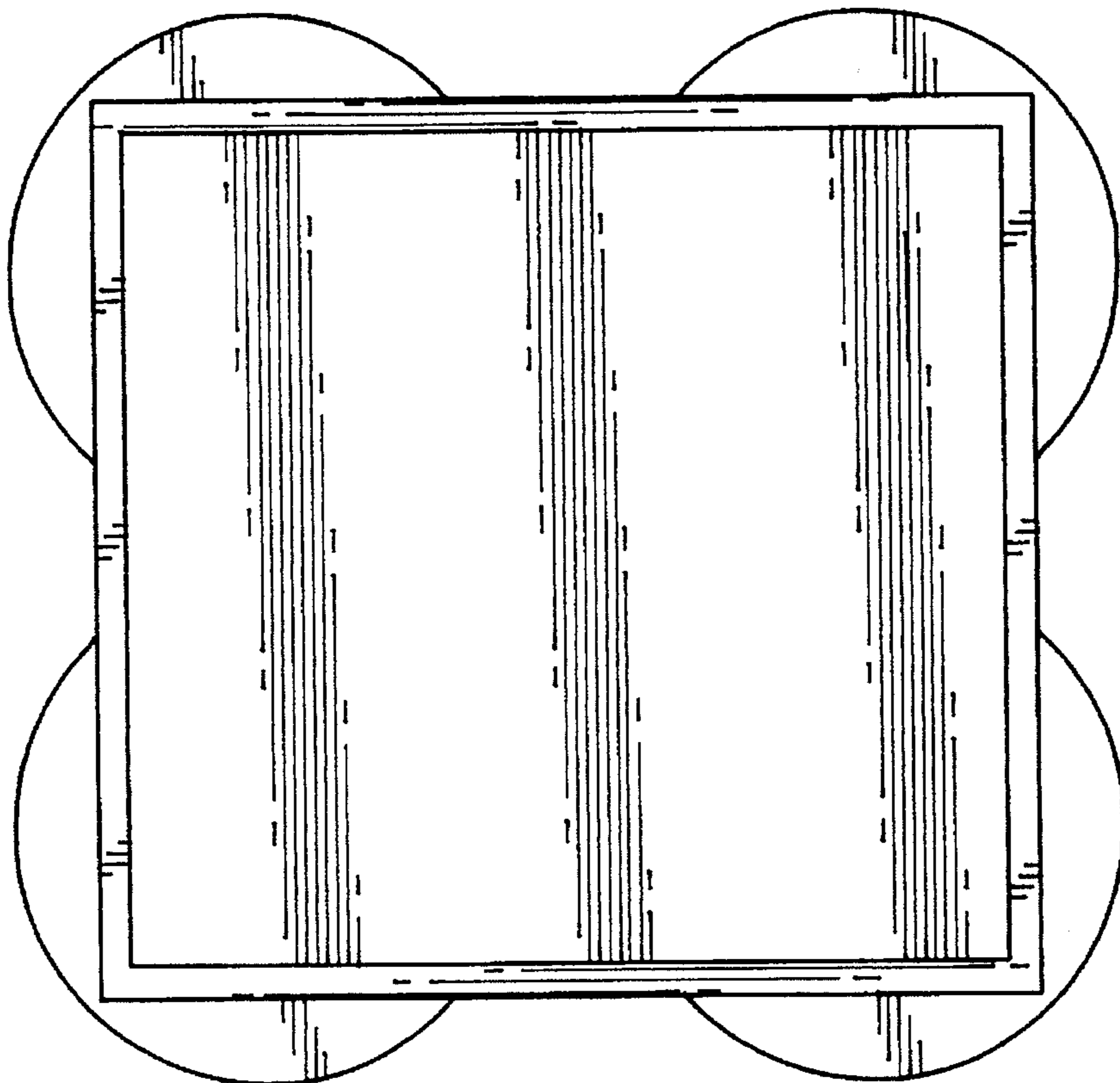


FIG. 7

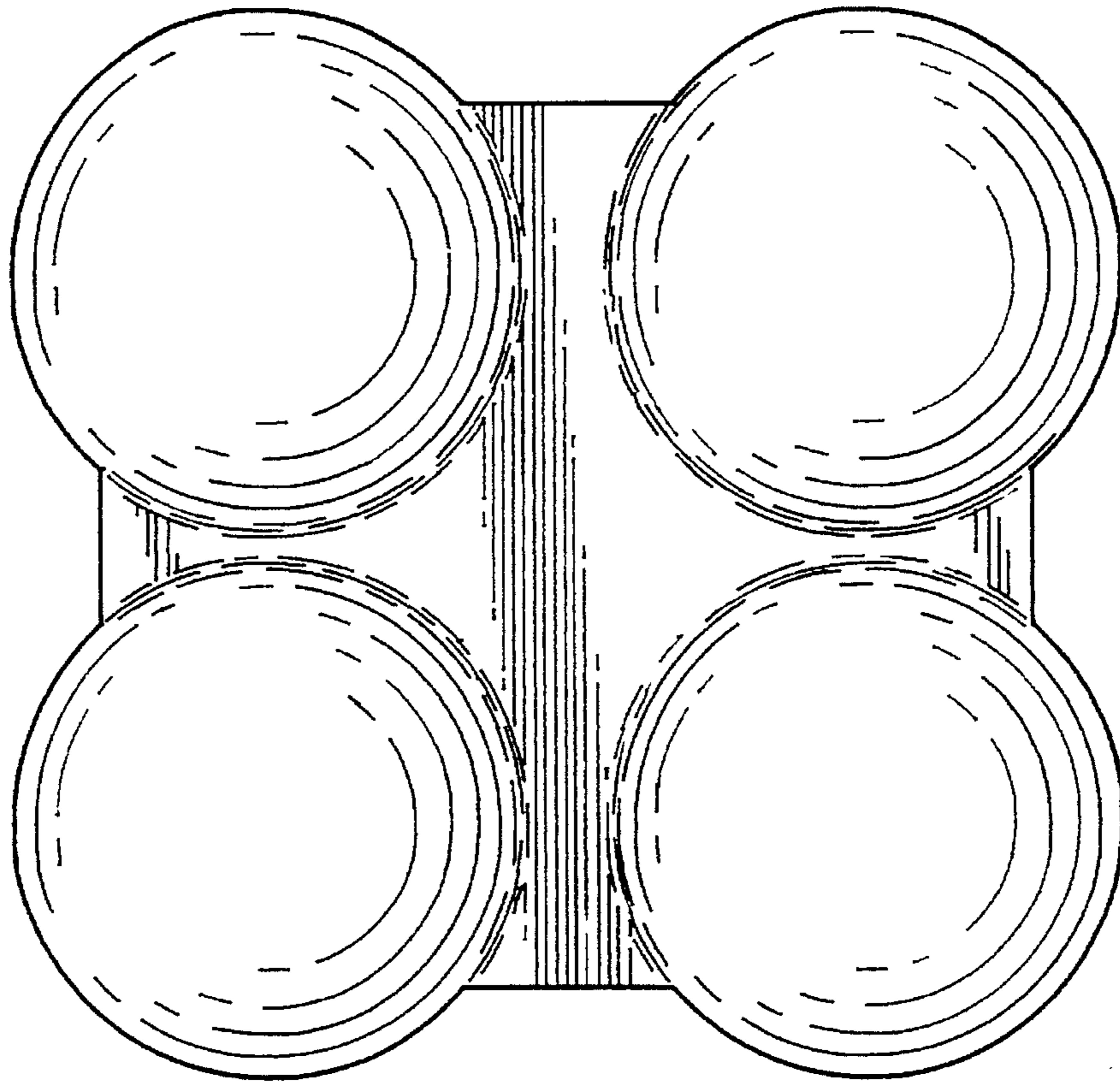


FIG. 8

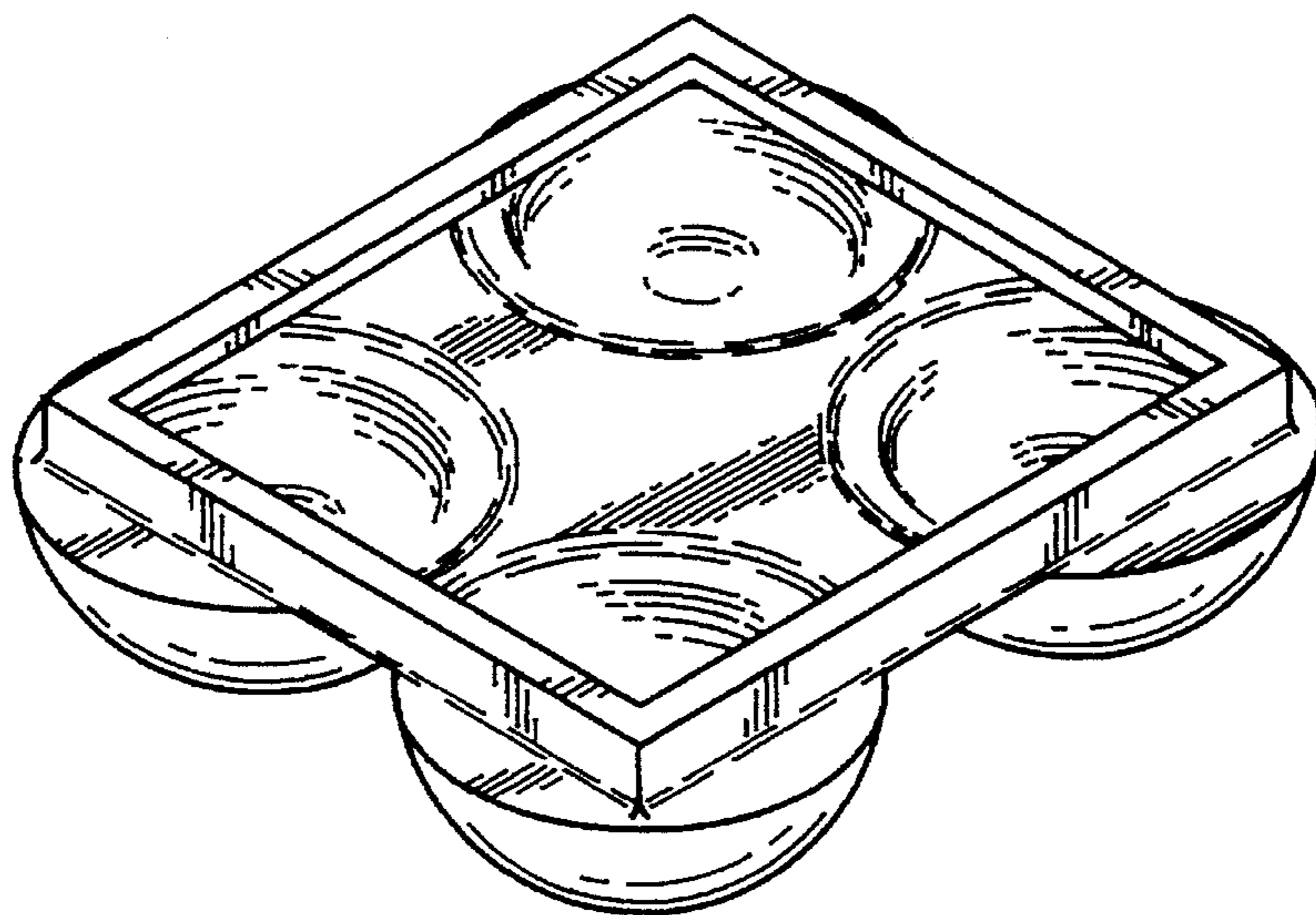


FIG. 9

