



US00D377218S

United States Patent [19]

[11] **Patent Number: Des. 377,218**

Cohen et al.

[45] **Date of Patent: **Jan. 7, 1997**

[54] **ENDO-BLOCK**

Primary Examiner—Kay H. Chin
Attorney, Agent, or Firm—Gpttlieb, Rackman & Reisman, P.C.

[75] Inventors: **Brett I. Cohen**, Nanuet; **Barry L. Musikant**, New York, both of N.Y.

[57] **CLAIM**

[73] Assignee: **Essential Dental Systems, Inc.**, South Hackensack, N.J.

The ornamental design for an endo-block, as shown and described.

[**] Term: **14 Years**

DESCRIPTION

[21] Appl. No.: **45,631**

FIG. 1 is a perspective view thereof;

[22] Filed: **Oct. 25, 1995**

FIG. 2 is a side elevational view thereof;

[52] U.S. Cl. **D24/176; D19/59**

FIG. 3 is a top plan view thereof;

[58] Field of Search D24/152-156,
D24/176-182; 434/263, 262

FIG. 4 is a side elevational view of one of the two block elements thereof;

[56] **References Cited**

FIG. 5 is a cross-sectional view taken along line 5-5 of FIG. 4; and,

U.S. PATENT DOCUMENTS

FIG. 6 is a cross-sectional view taken along line 6-6 of FIG. 4.

5,320,529 6/1994 Pompa 434/263
5,503,562 4/1996 Mays 434/263

FOREIGN PATENT DOCUMENTS

1439666 11/1988 U.S.S.R. 434/263

1 Claim, 2 Drawing Sheets

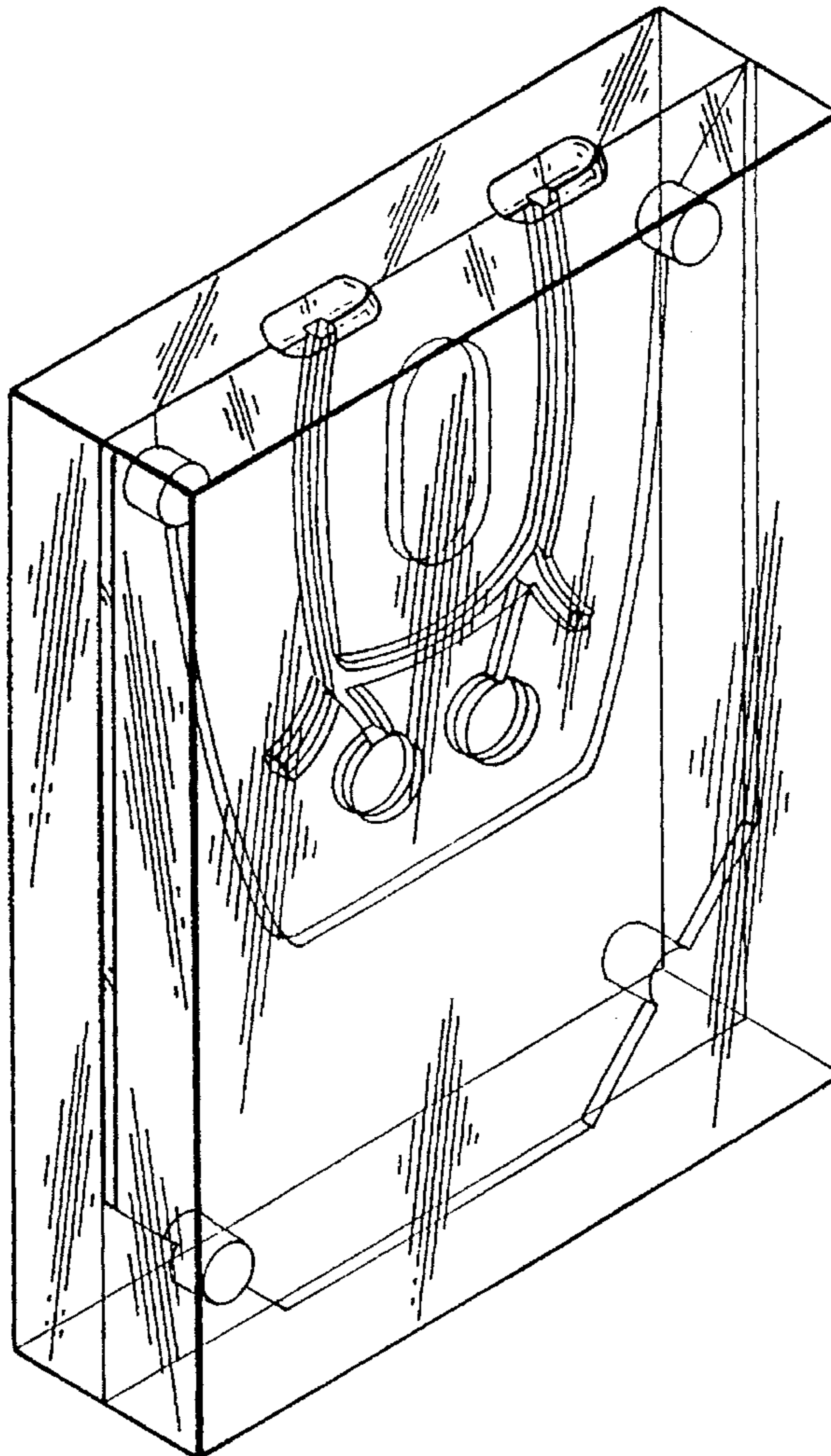


FIG. 1

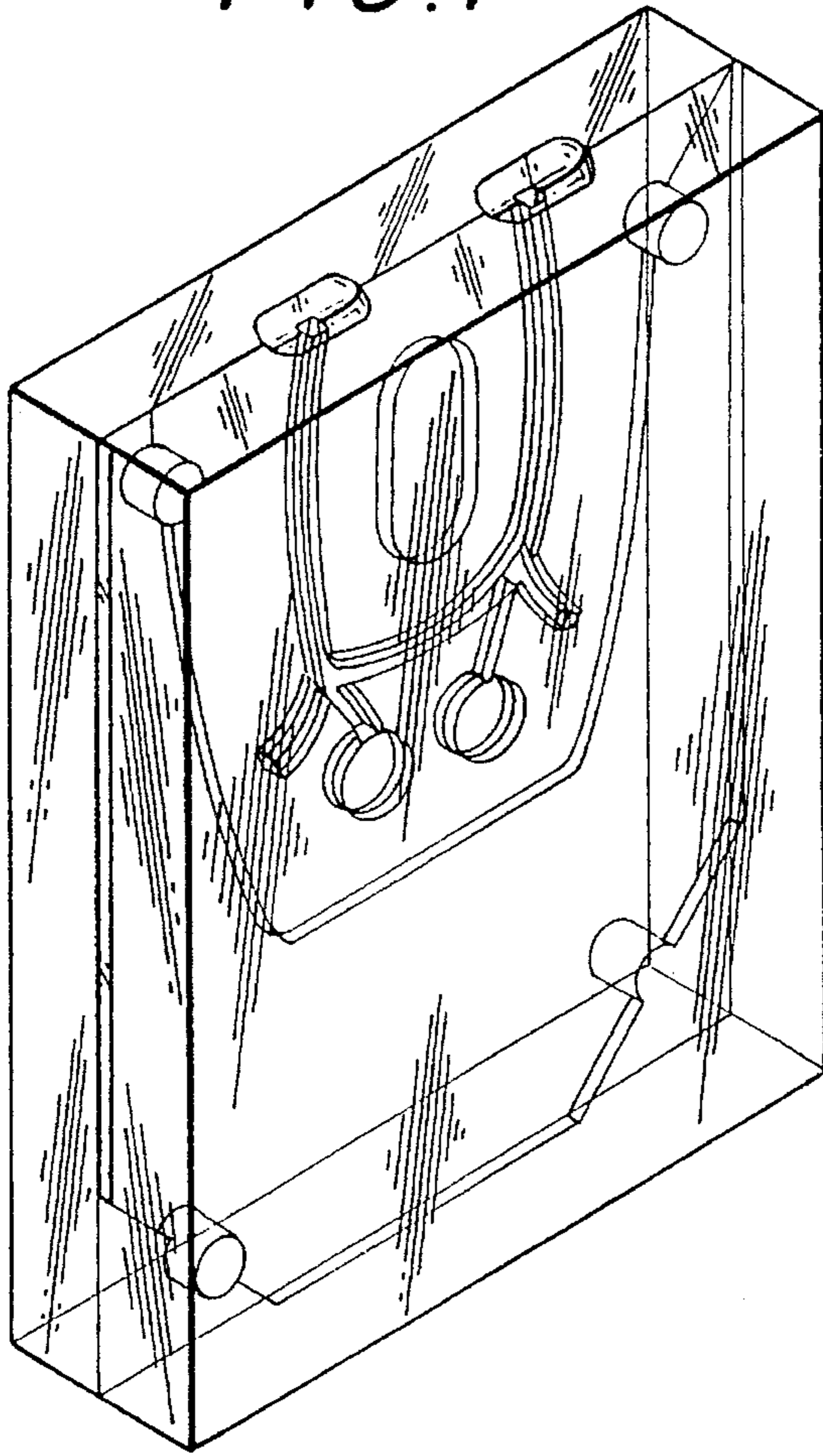


FIG. 2

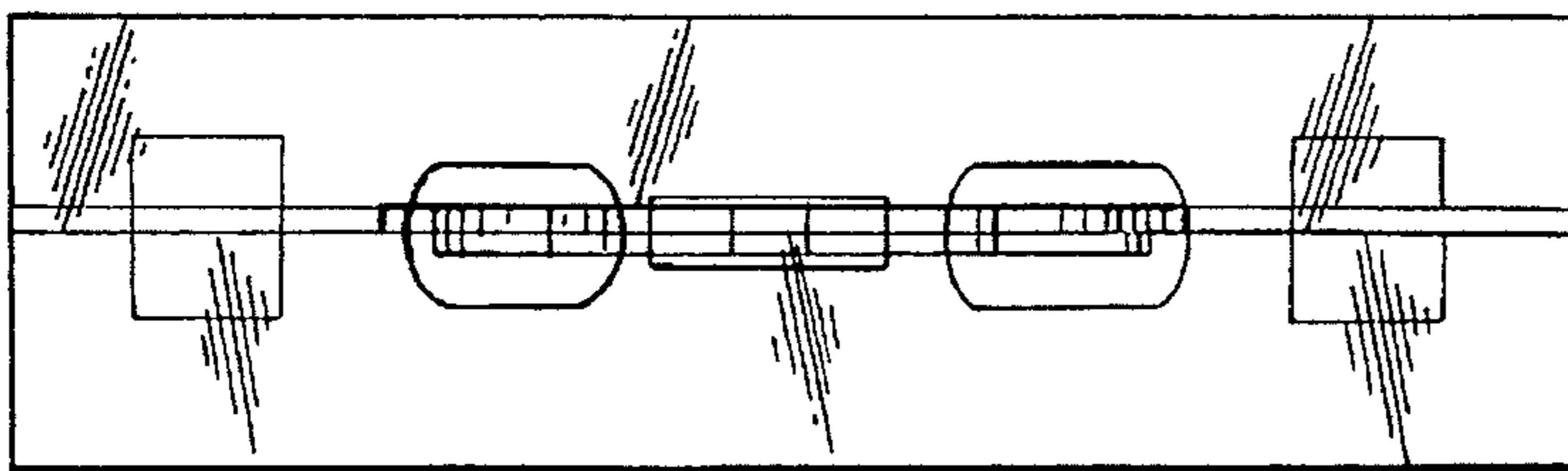
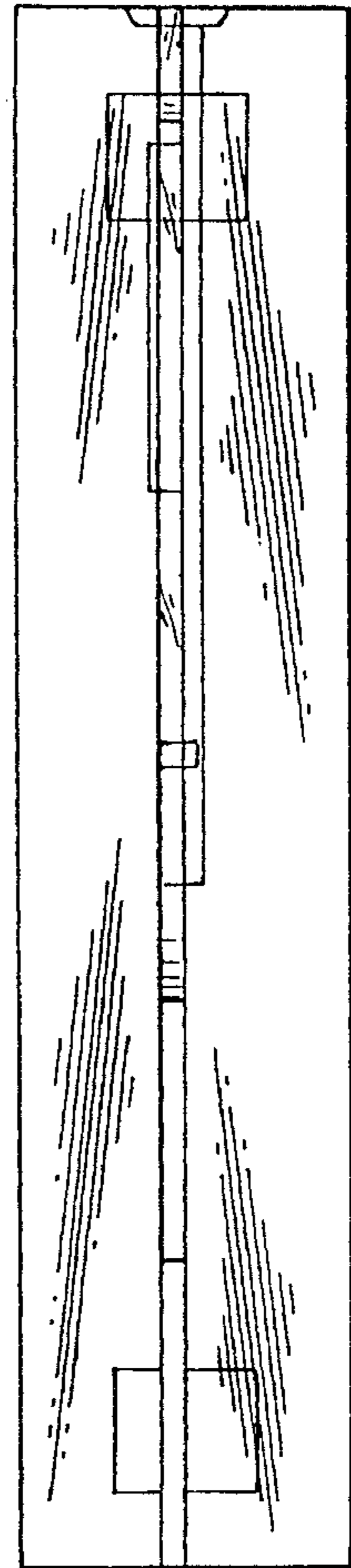


FIG. 3

FIG. 4

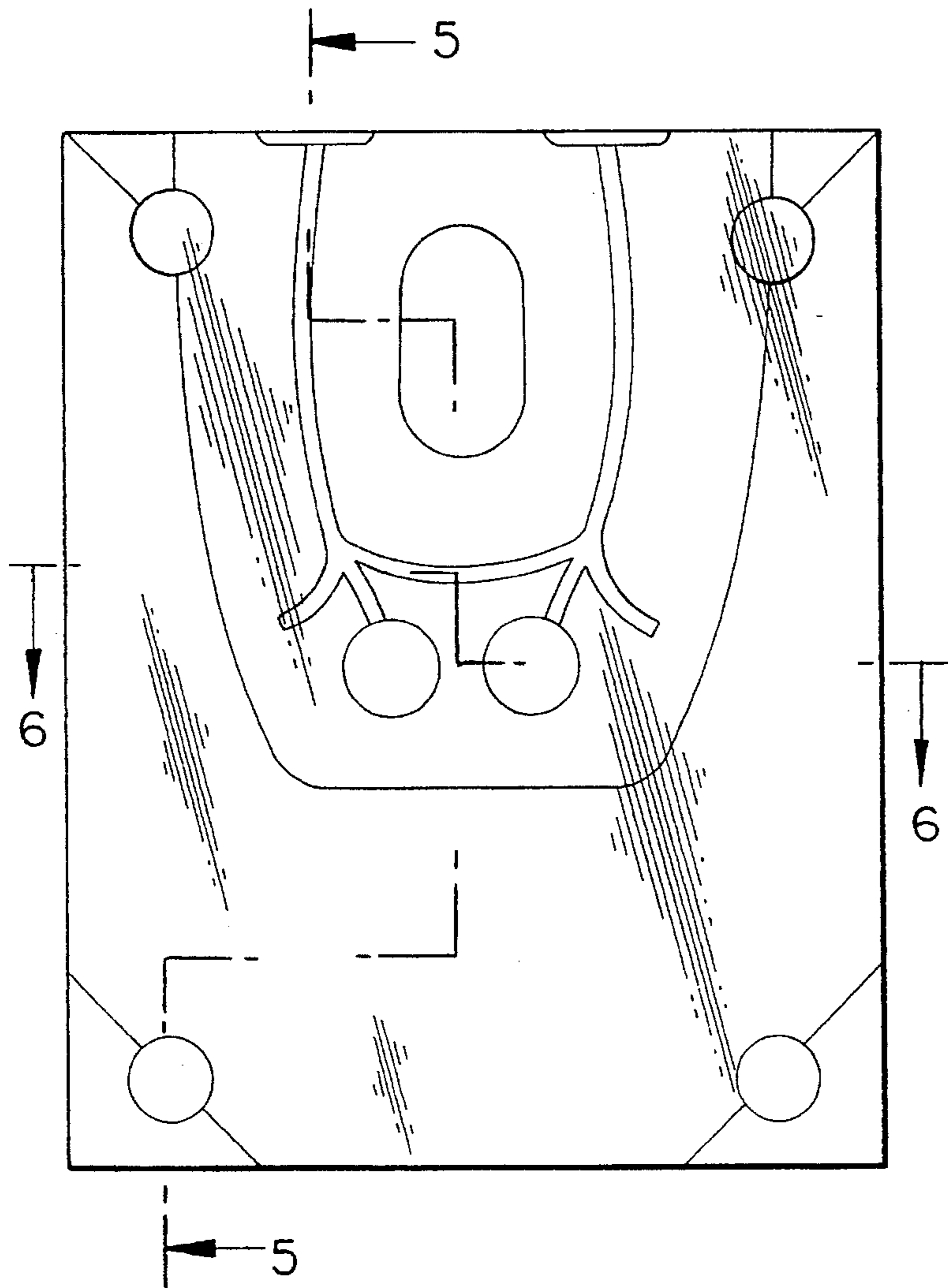


FIG. 5

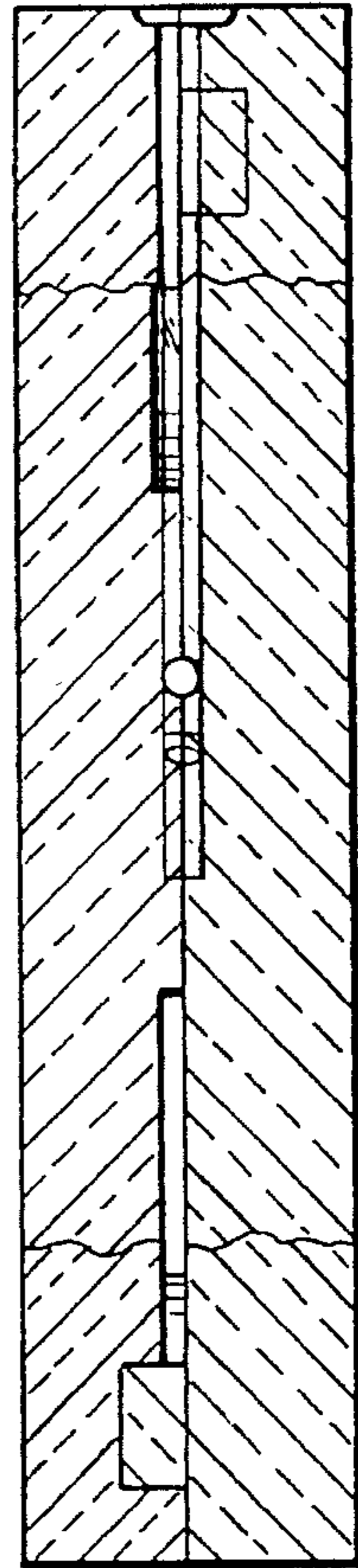


FIG. 6

