



US00D377216S

United States Patent [19]
Mark

[11] **Patent Number: Des. 377,216**

[45] **Date of Patent: **Jan. 7, 1997**

[54] **FLUID APPLICATOR SHORT HANDLED
KNOB BRUSH**

3,068,571 12/1962 Thompson 433/141
4,780,083 10/1988 Croll 433/142 X
5,516,287 5/1996 Zdarsky 433/141 X

[76] Inventor: **Phillip Mark**, 6417 Marlberry Dr.,
Orlando, Fla. 32819

Primary Examiner—Kay H. Chin
Attorney, Agent, or Firm—Eric P. Schellin

[**] Term: **14 Years**

[57] **CLAIM**

[21] Appl. No.: **49,802**

The ornamental design of a fluid applicator short handled knob brush, as shown and described.

[22] Filed: **Jan. 31, 1996**

[52] U.S. Cl. **D24/152**

DESCRIPTION

[58] **Field of Search** D24/176-182,
D24/152-156, 140; 433/141, 142, 143,
102; 15/244.1, 244.4; D4/104, 111, 114

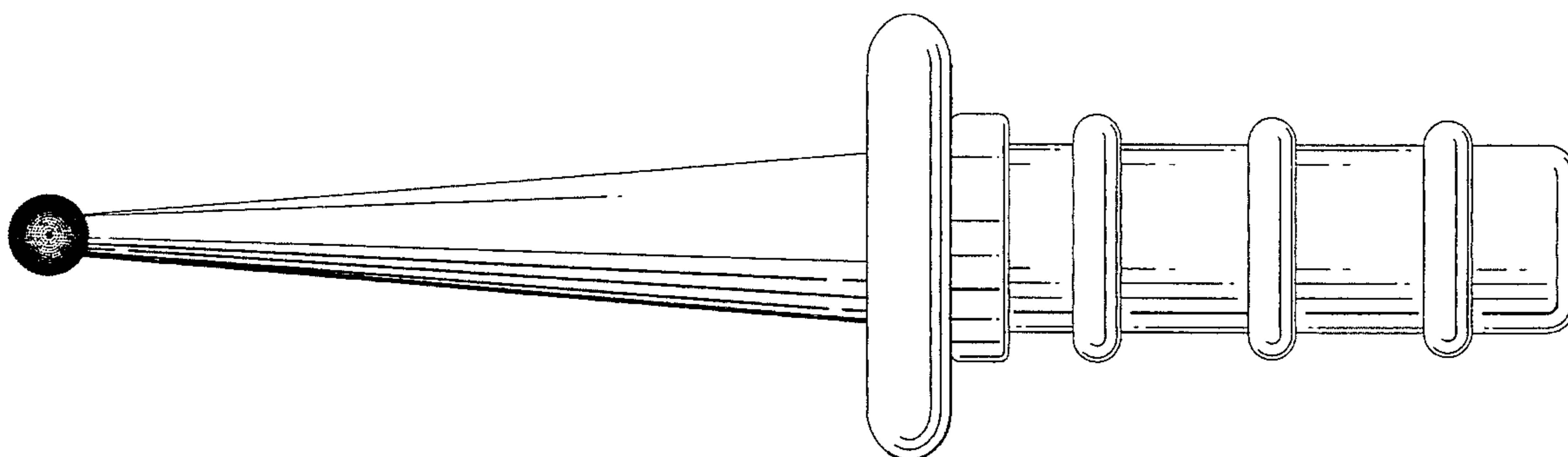
FIG. 1 is a side view of the fluid applicator knob brush, the opposite side thereof is identical;
FIG. 2 is a similar side view of the fluid applicator knob brush after being rotated 90°, the opposite side is identical;
FIG. 3 is an end view from the right of FIG. 1; and,
FIG. 4 is a view from the end opposite to the end of FIG. 3.

[56] **References Cited**

U.S. PATENT DOCUMENTS

102,351 4/1870 Wood 15/244.1
1,245,153 11/1917 Evslin 15/244.1 X

1 Claim, 2 Drawing Sheets



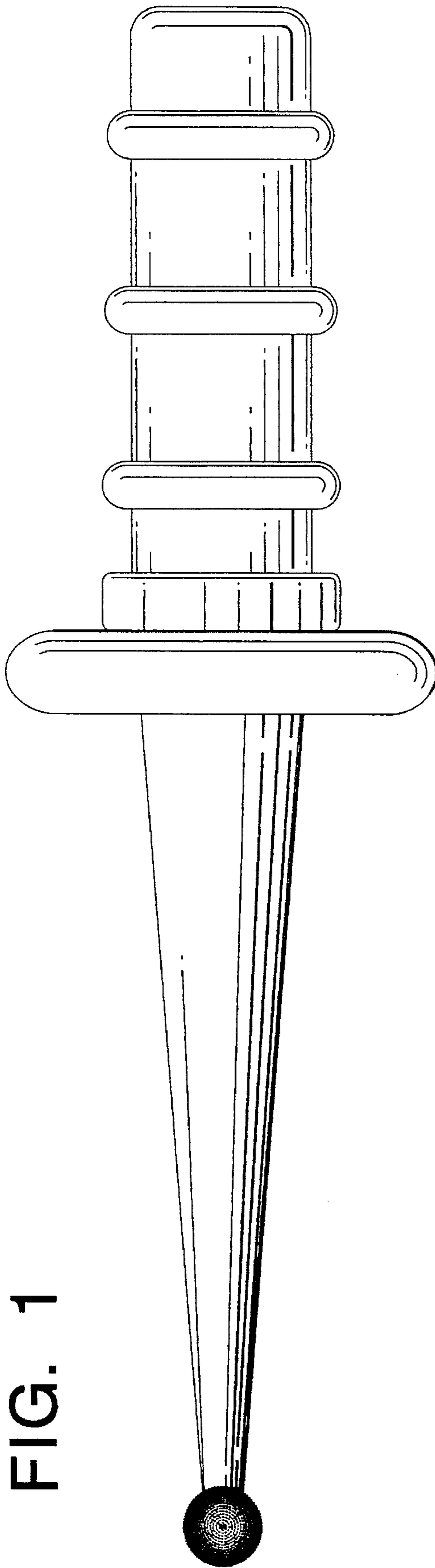


FIG. 1

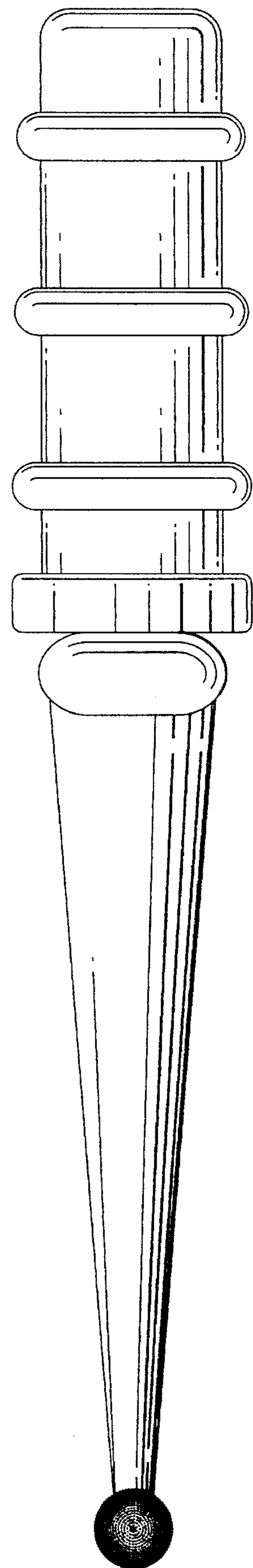


FIG. 2

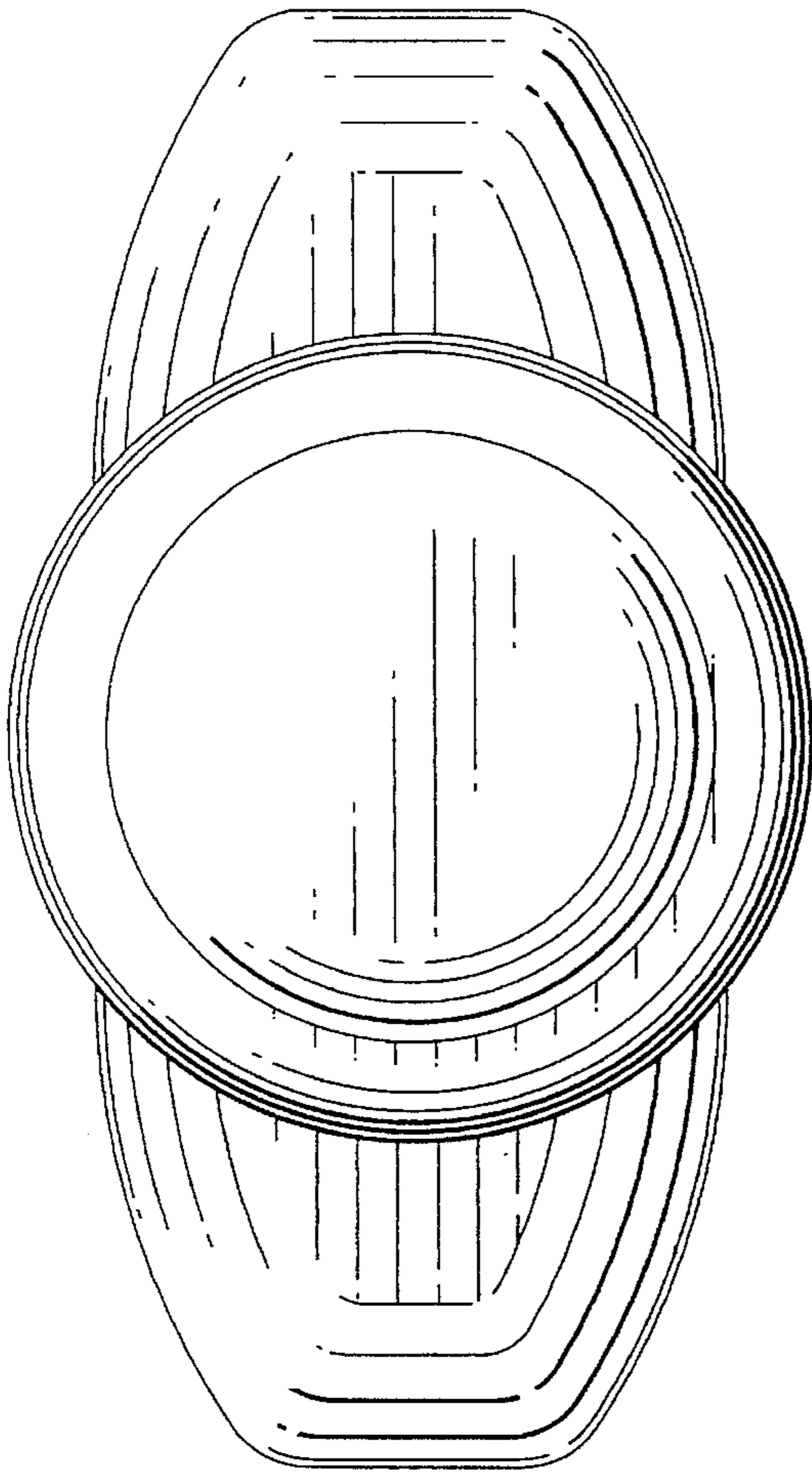


FIG. 3

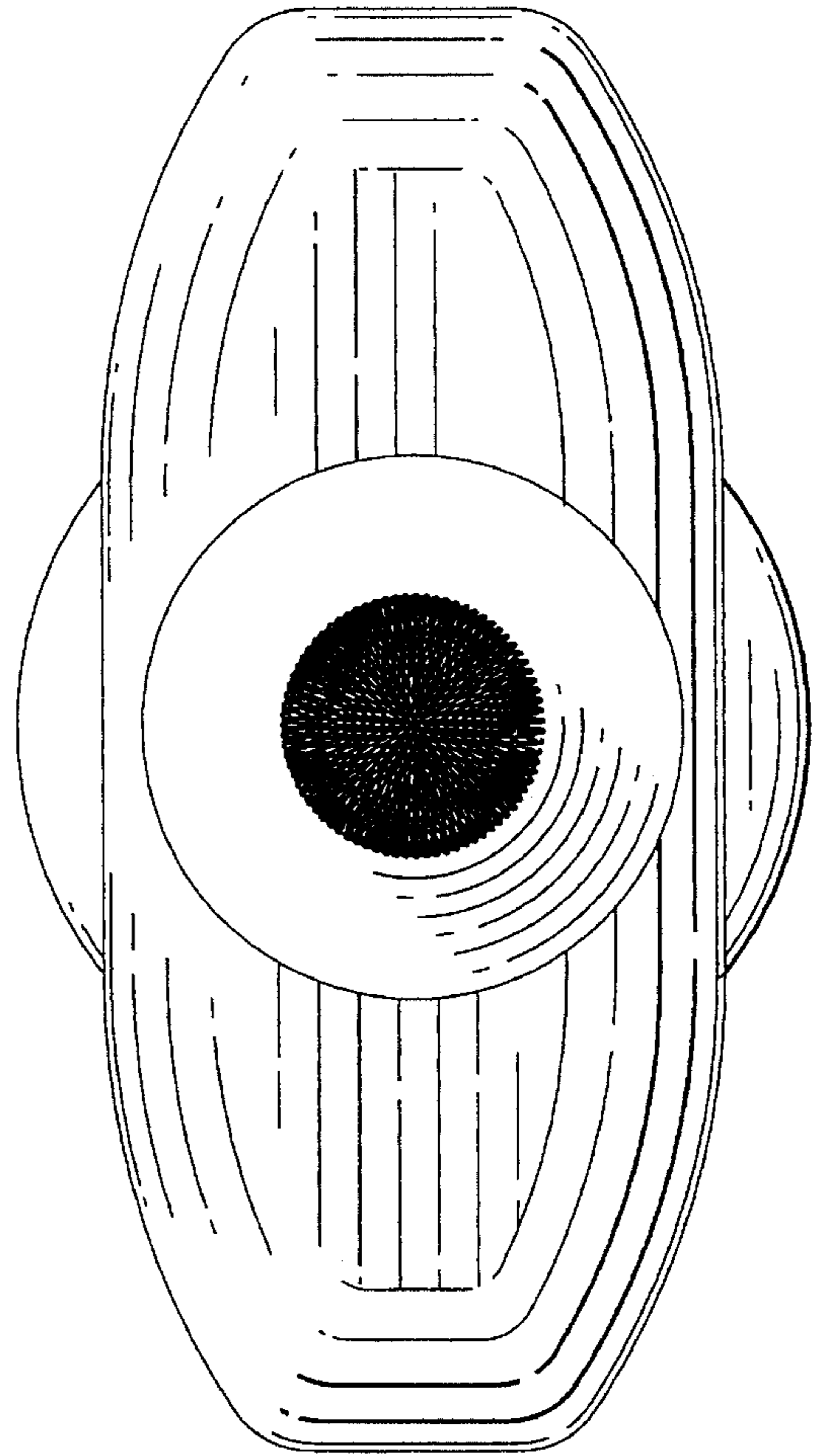


FIG. 4