



US00D377215S

United States Patent [19] Rand

[11] Patent Number: **Des. 377,215**

[45] Date of Patent: ****Jan. 7, 1997**

[54] **INHALER**

[75] Inventor: **Paul K. Rand**, Ware, Great Britain

[73] Assignee: **Glaxo Group Limited**, London, England

[**] Term: **14 Years**

[21] Appl. No.: **45,153**

[22] Filed: **Oct. 11, 1995**

[30] Foreign Application Priority Data

Apr. 13, 1995 [GB] United Kingdom 2046732

[52] U.S. Cl. **D24/110**

[58] Field of Search D24/110; 128/203.15, 128/200.14, 205.13, 200.23, 202.22, 205.23

[56] References Cited

U.S. PATENT DOCUMENTS

D. 355,029	1/1995	Kinneir et al.	D24/110
D. 365,876	1/1996	Chawla	D24/110
5,363,842	11/1994	Mishelevich et al.	128/200.23 X
5,394,866	3/1995	Ritson et al.	128/200.23 X
5,505,192	4/1996	Samiutes et al.	128/200.23 X
5,505,195	4/1996	Wulf et al.	128/200.23 X

FOREIGN PATENT DOCUMENTS

2195544 4/1988 United Kingdom 128/200.23

Primary Examiner—Louis S. Zarfes

Assistant Examiner—I. Simmons

Attorney, Agent, or Firm—Bacon & Thomas

[57] CLAIM

The ornamental design for an inhaler, as shown and described.

DESCRIPTION

FIG. 1 is a perspective view illustrating the front, left side and top of my new design for an inhaler;

FIG. 2 is a perspective view similar to FIG. 1 illustrating the front, left side and top with the cover in an open position rotated from its position in FIG. 1;

FIG. 3 is a right side elevational view;

FIG. 4 is a front elevational view;

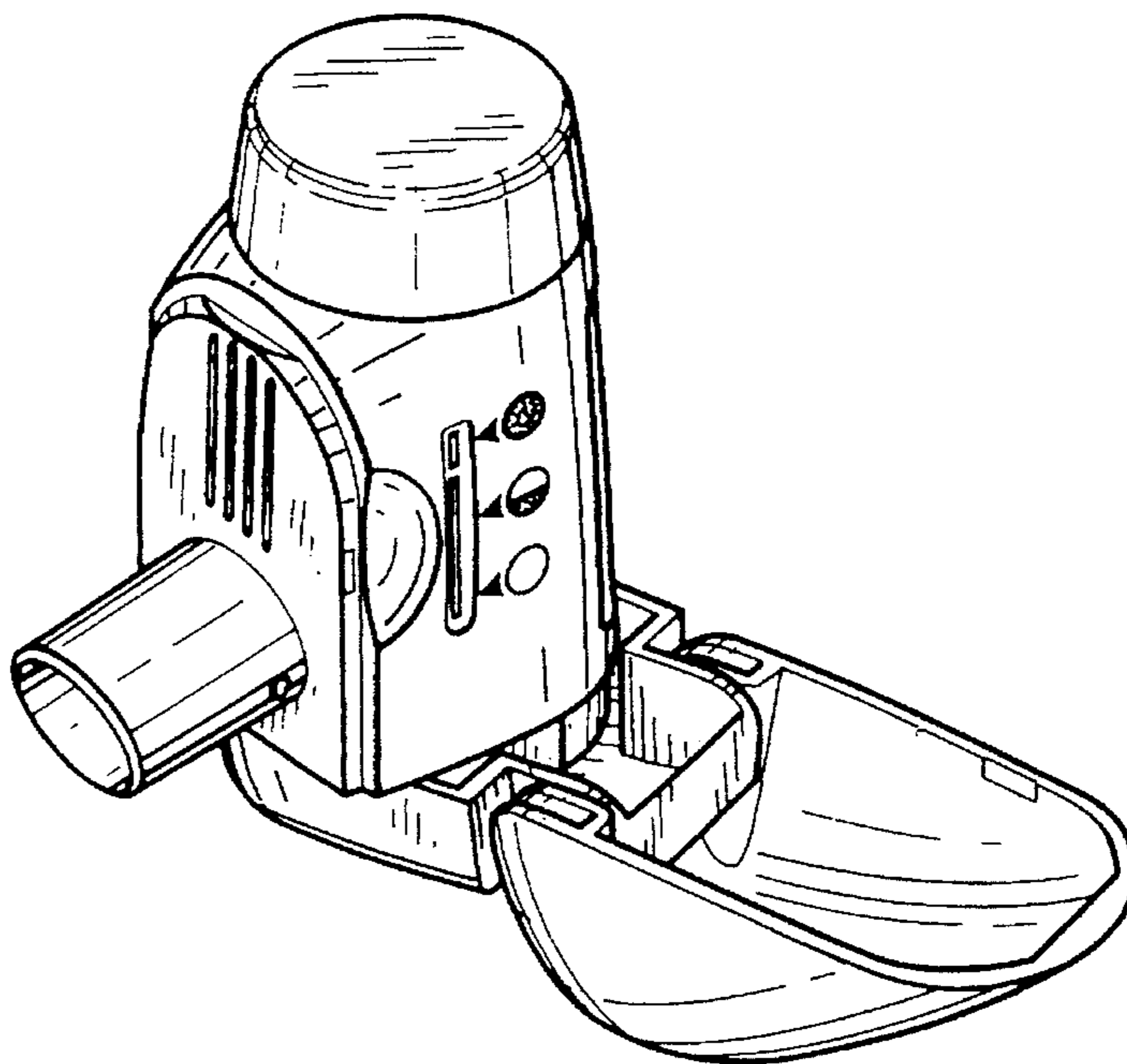
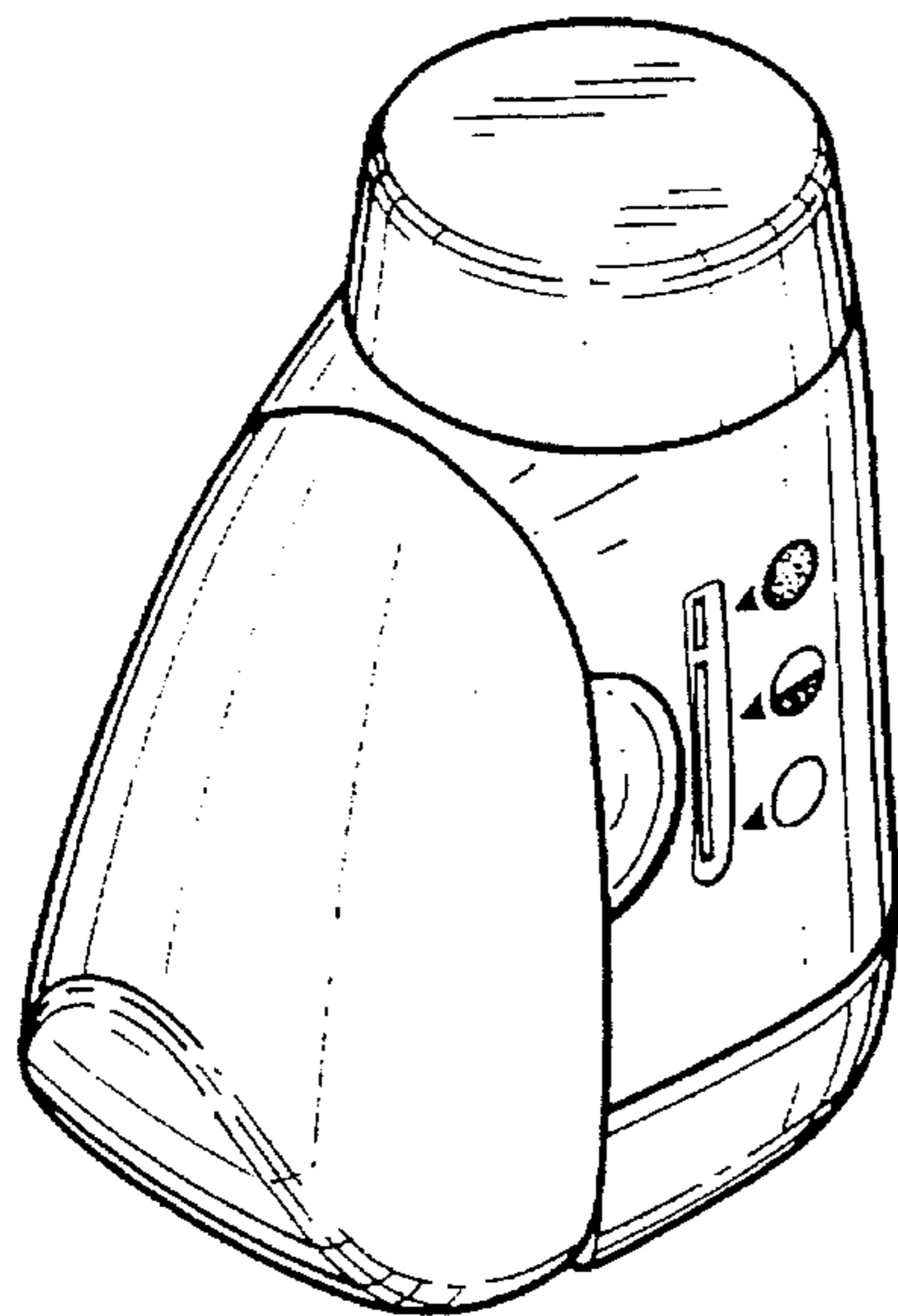
FIG. 5 is a top plan view of my device;

FIG. 6 is a left side elevational view;

FIG. 7 is a rear elevational view; and,

FIG. 8 is a bottom plan view of my new design.

1 Claim, 2 Drawing Sheets



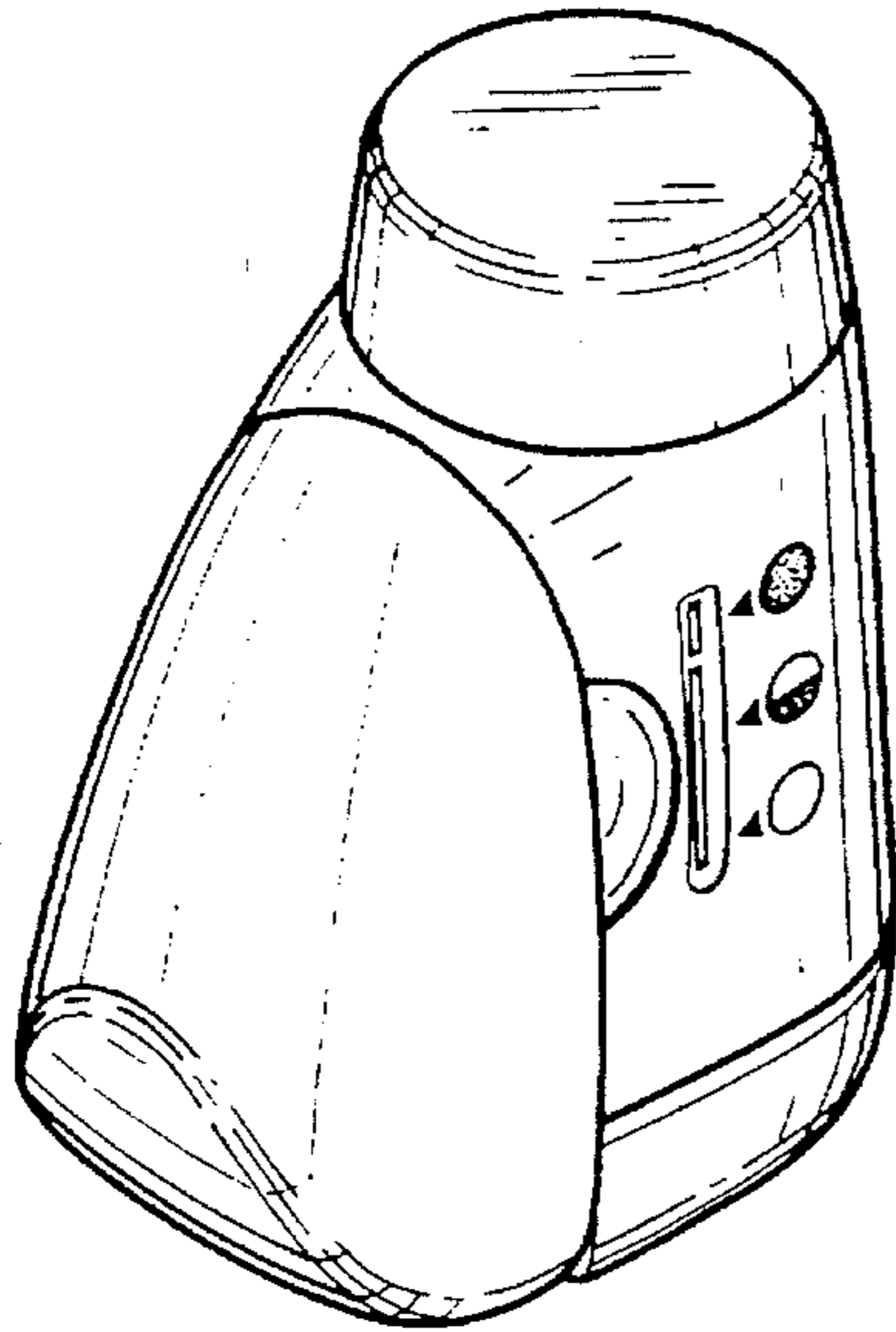


FIG. 1.

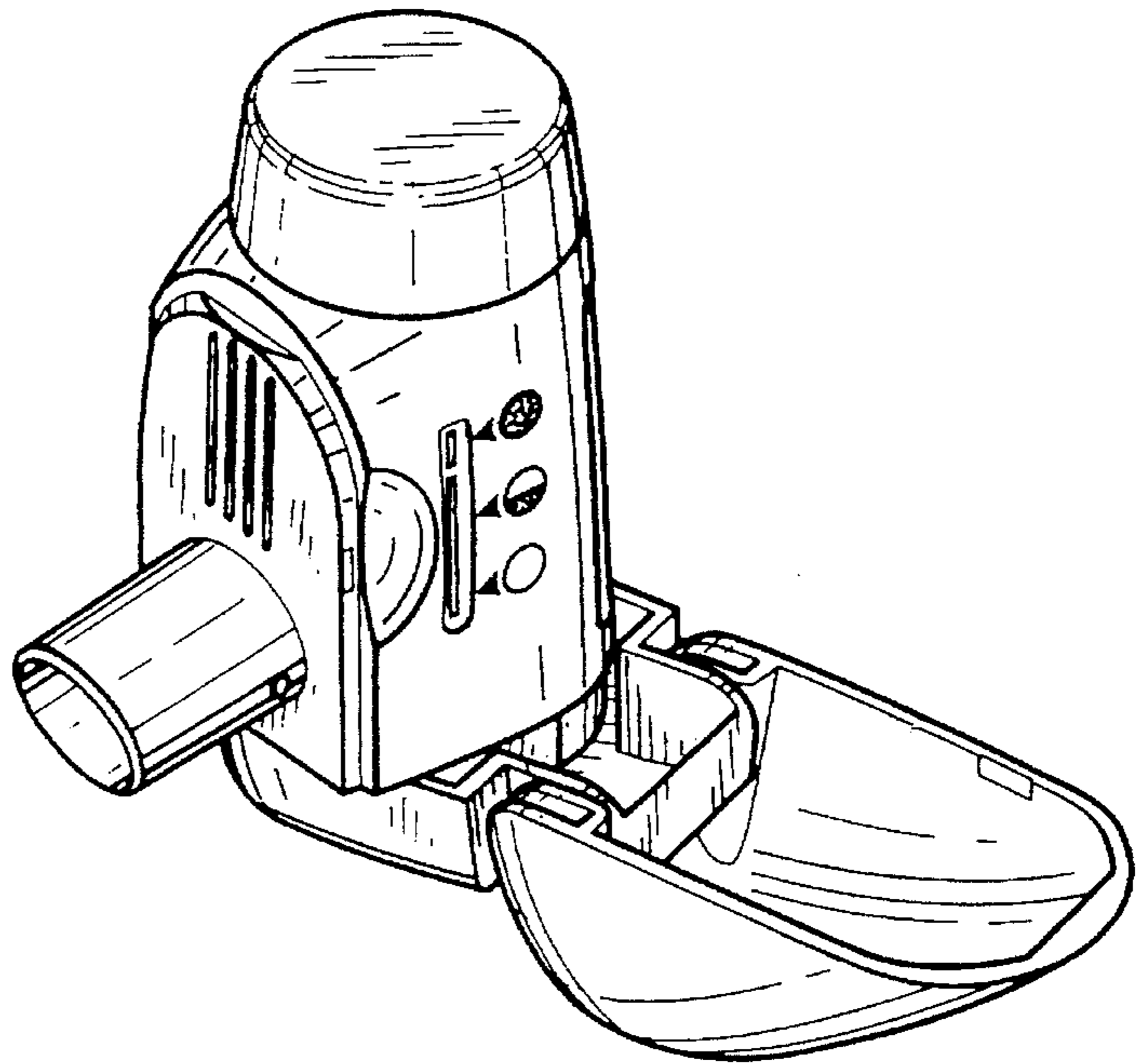


FIG. 2.

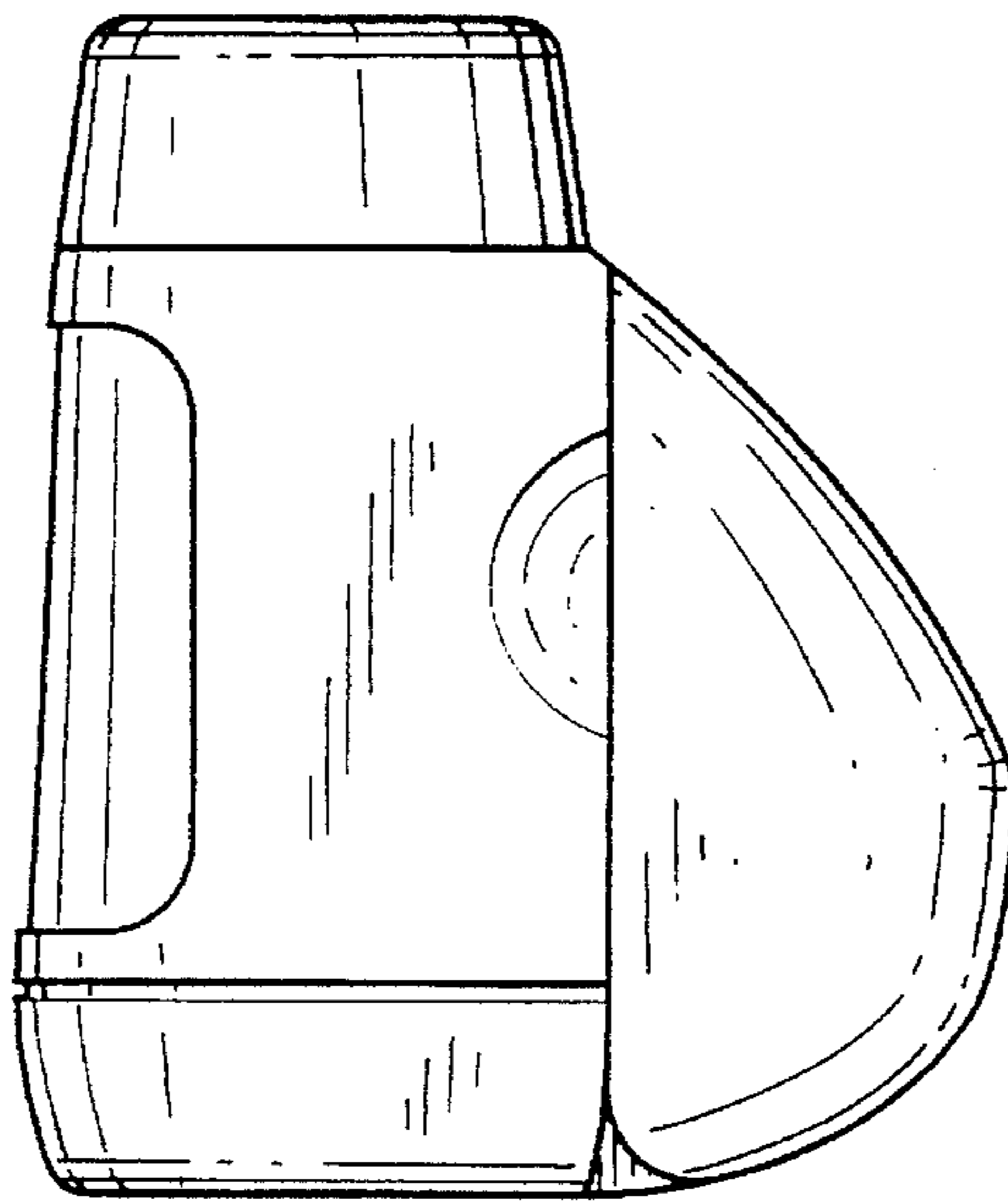


FIG. 3.

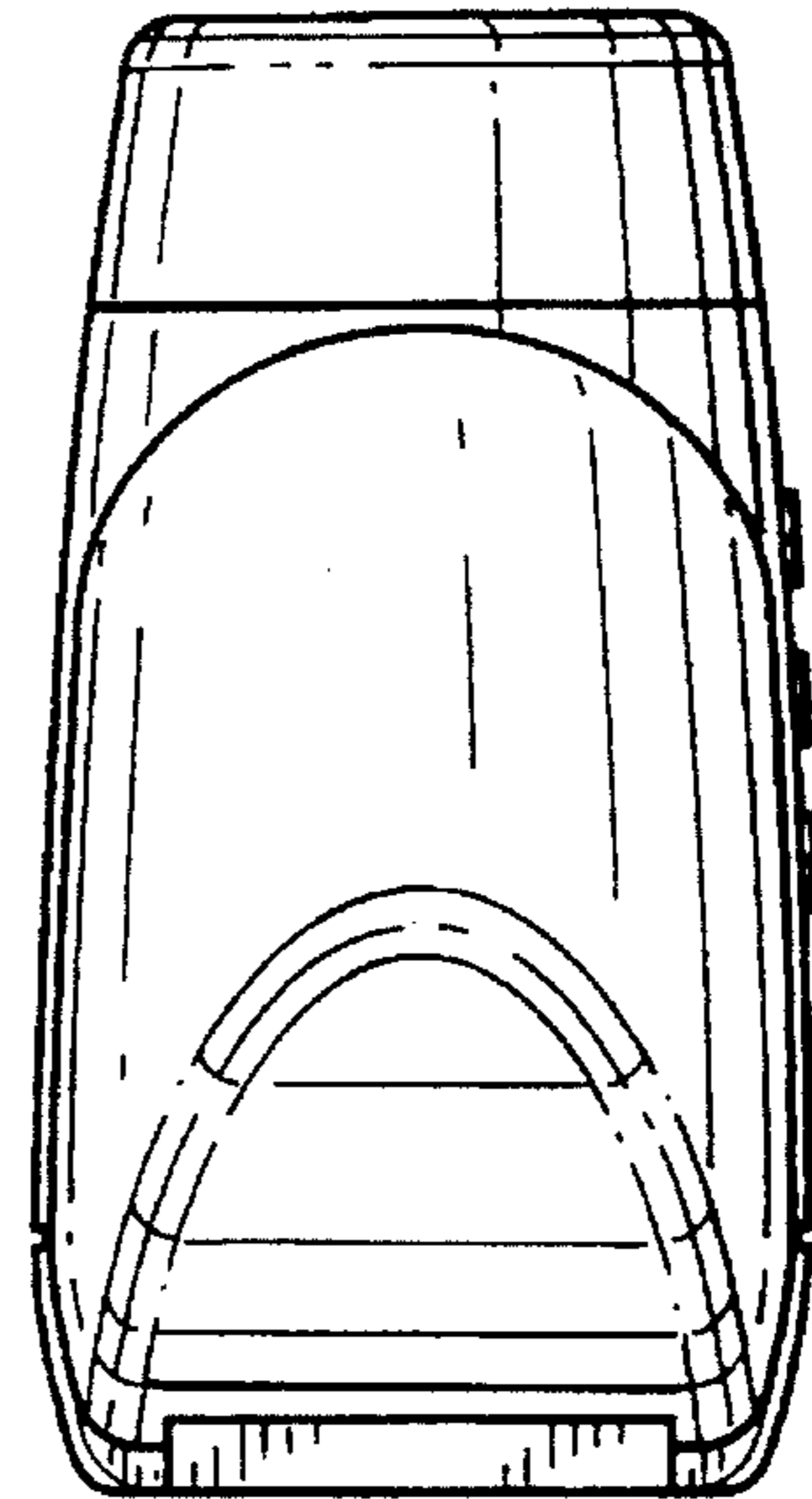


FIG. 4.

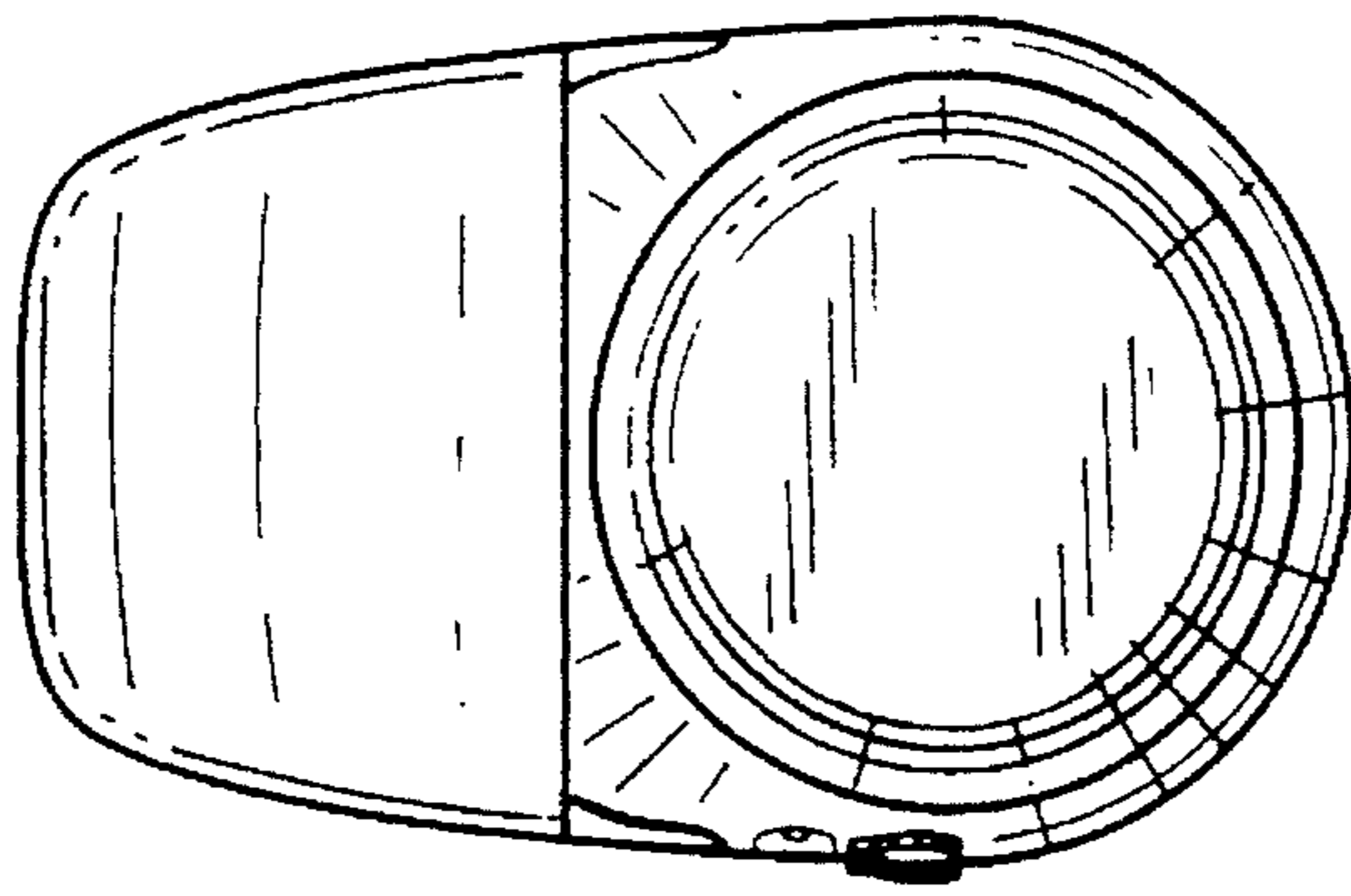


FIG. 5.

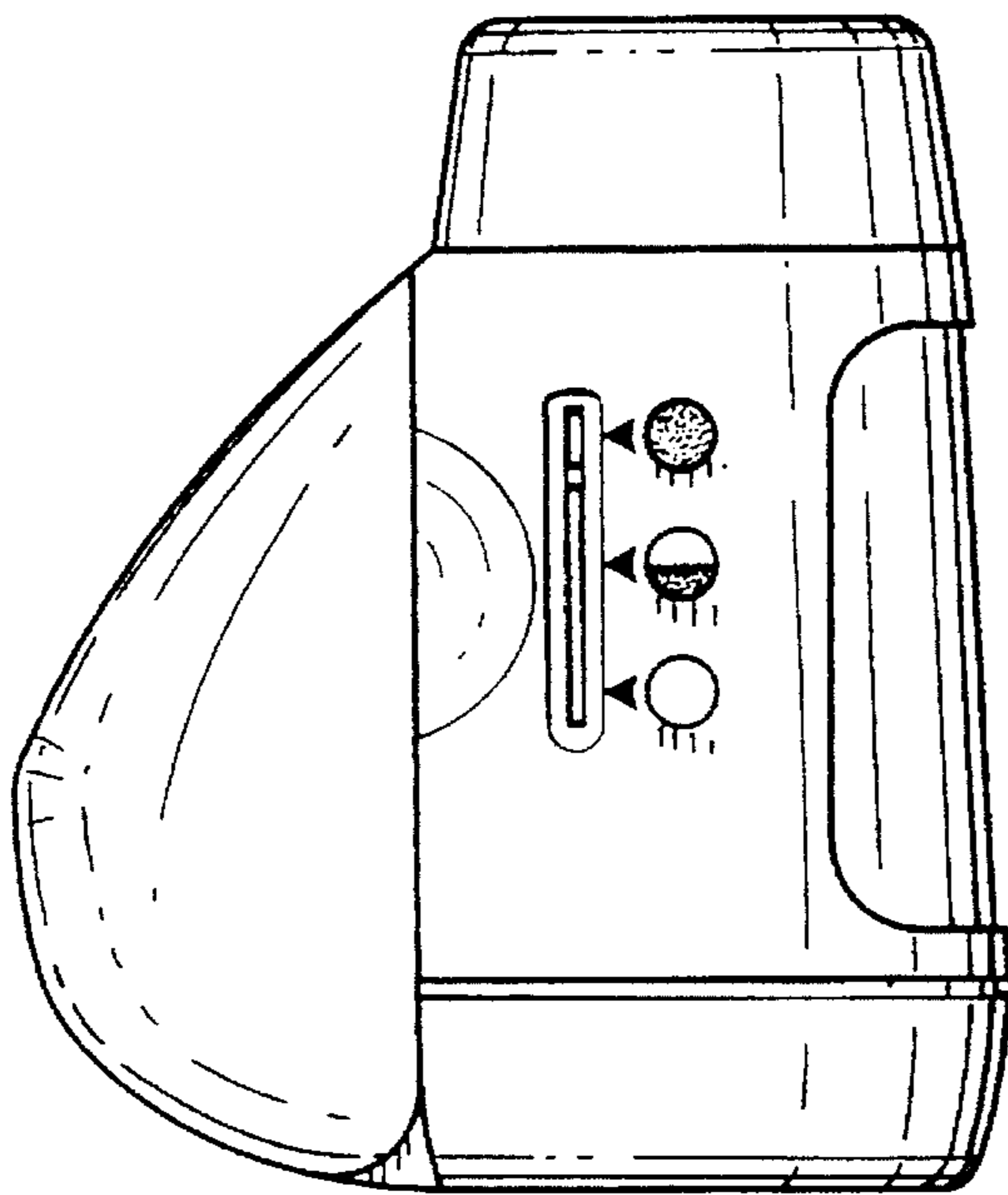


FIG. 6.

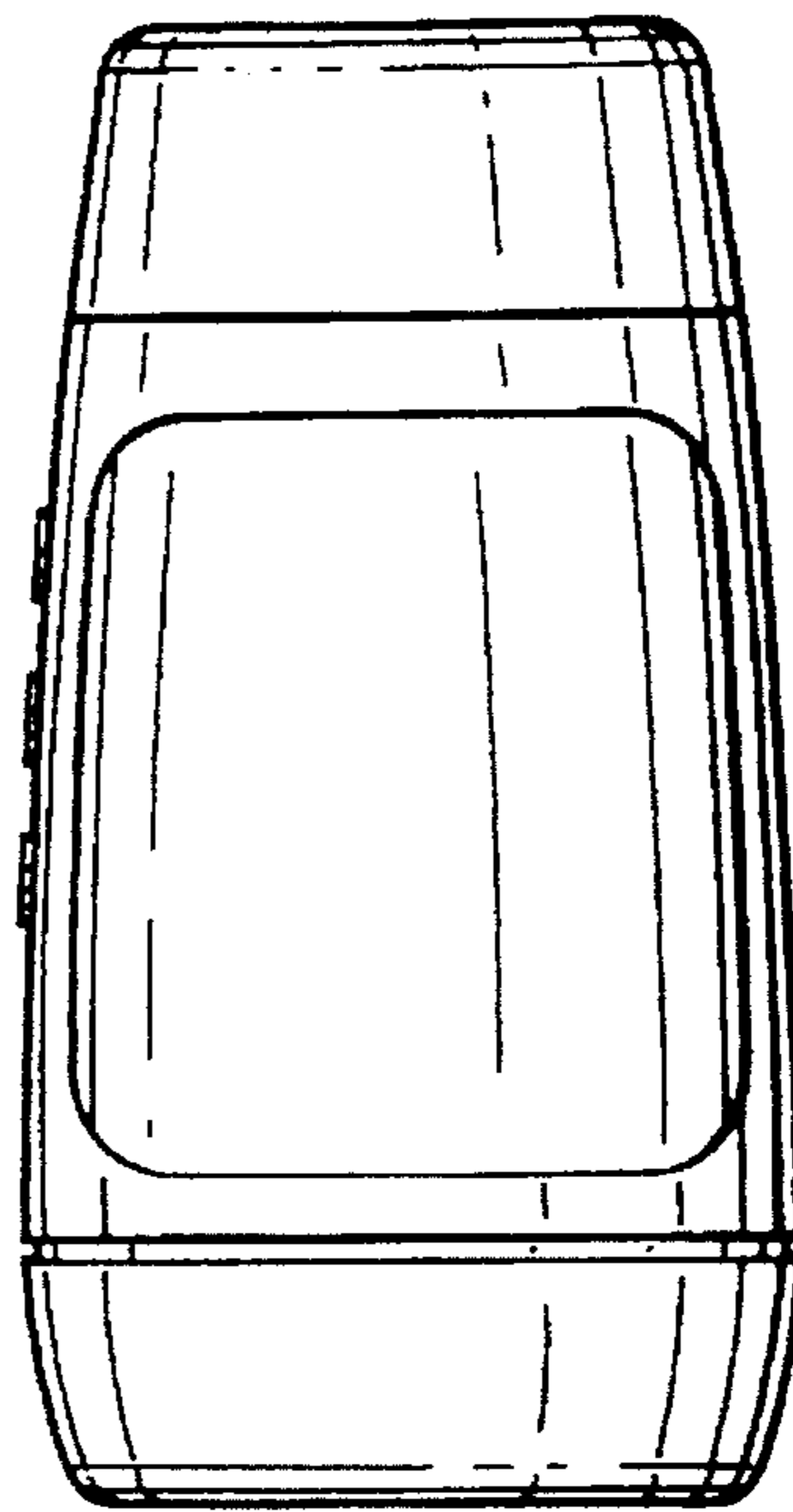


FIG. 7.

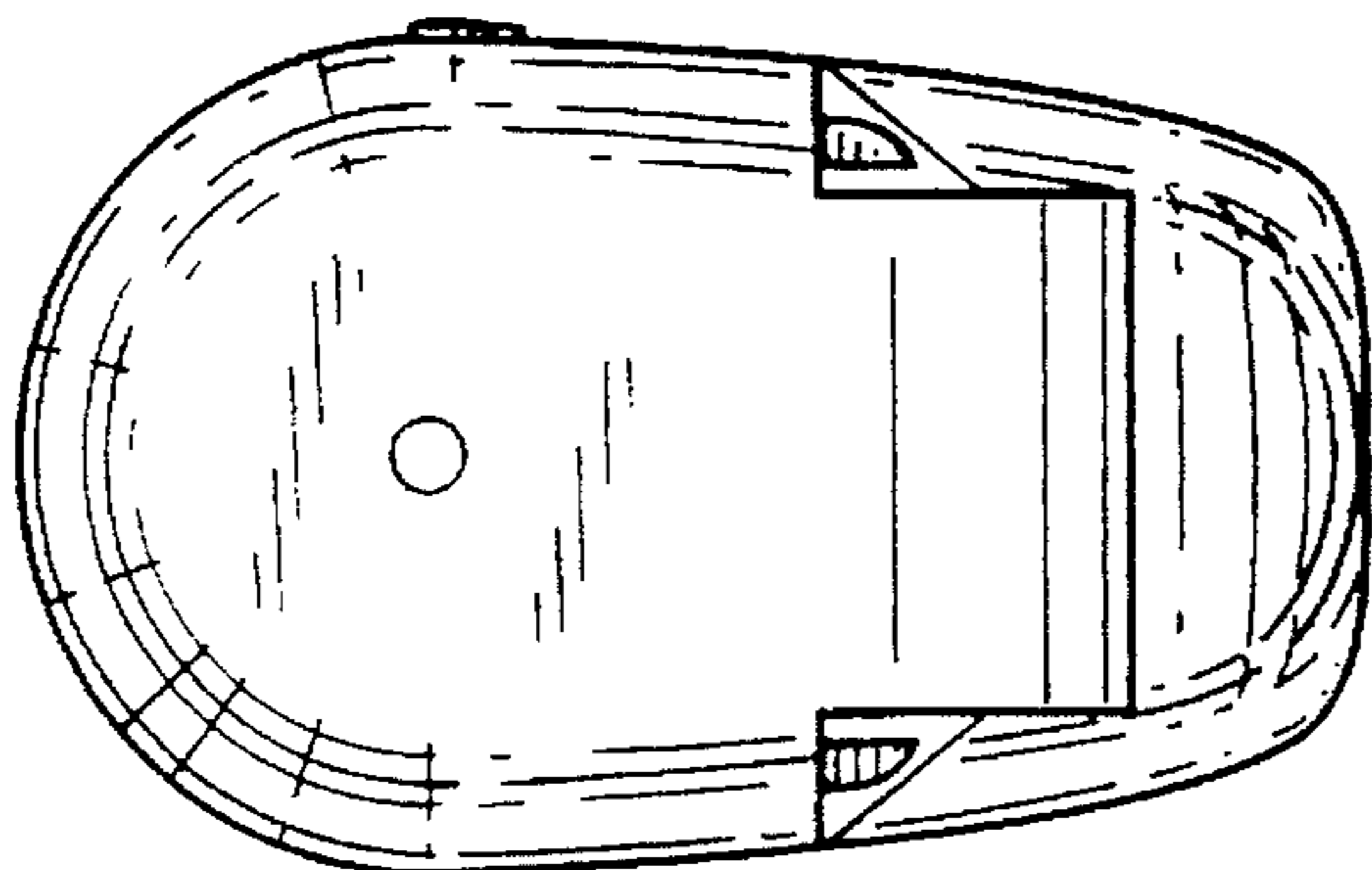


FIG. 8.