



US00D377214S

**United States Patent** [19]  
**Seeley**

[11] **Patent Number: Des. 377,214**  
[45] **Date of Patent: \*\*Jan. 7, 1997**

[54] **PORTABLE AIR FILTER**

[76] Inventor: **Larry E. Seeley**, 7925 Evies Way, Port Richey, Fla. 34668

[\*\*] Term: **14 Years**

[21] Appl. No.: **45,733**

[22] Filed: **Oct. 27, 1995**

[52] U.S. Cl. .... **D23/365**

[58] Field of Search ..... **D23/364, 365; 55/356; 422/120, 121, 4**

[56] **References Cited**

**U.S. PATENT DOCUMENTS**

5,484,472 1/1996 Weinberg ..... 55/356

*Primary Examiner*—Lisa P. Lichtenstein  
*Attorney, Agent, or Firm*—Donald C. Casey

[57] **CLAIM**

The ornamental design for a portable air filter, as shown.

**DESCRIPTION**

FIG. 1 is a perspective view of the portable air filter of this invention;  
FIG. 2 is a front view of the device of FIG. 1;  
FIG. 3 is a top view of the device of FIG. 1;  
FIG. 4 is a bottom view of the device of FIG. 1;  
FIG. 5 is a back view of the device of this invention;  
FIG. 6 is a right side view of the device of FIG. 1; and,  
FIG. 7 is a left side view of the device of FIG. 1.

**1 Claim, 3 Drawing Sheets**

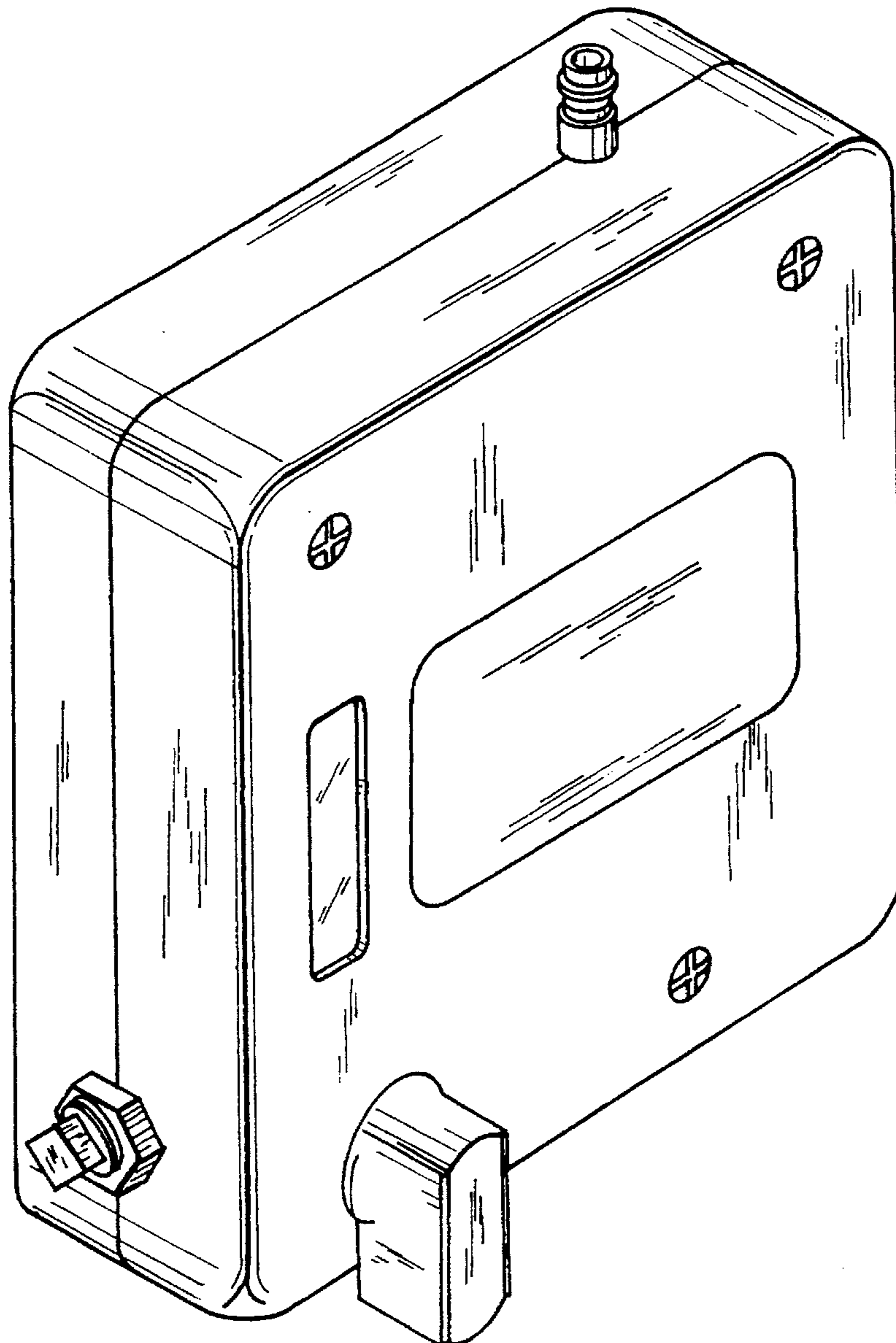


FIG. 1

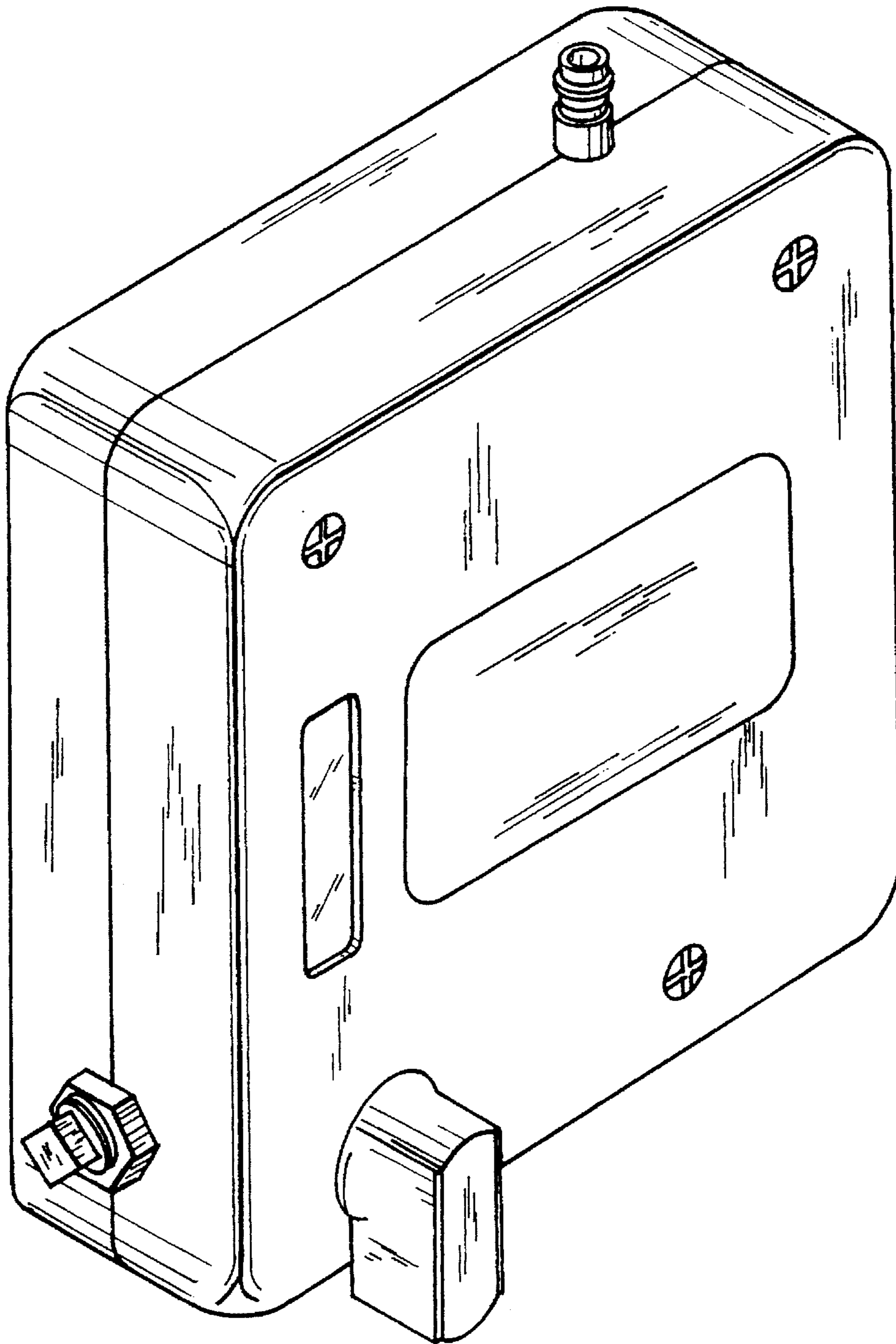


FIG. 2

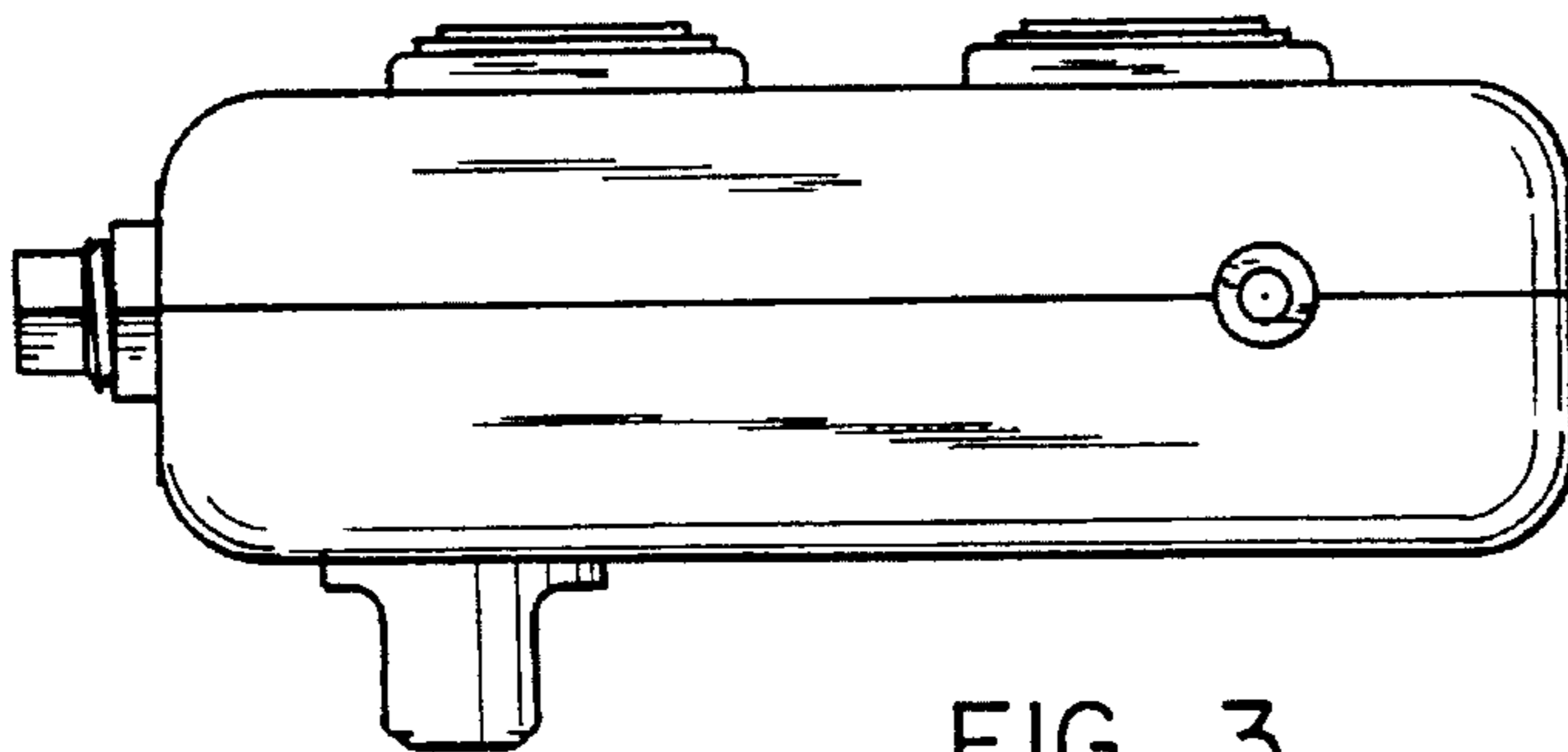
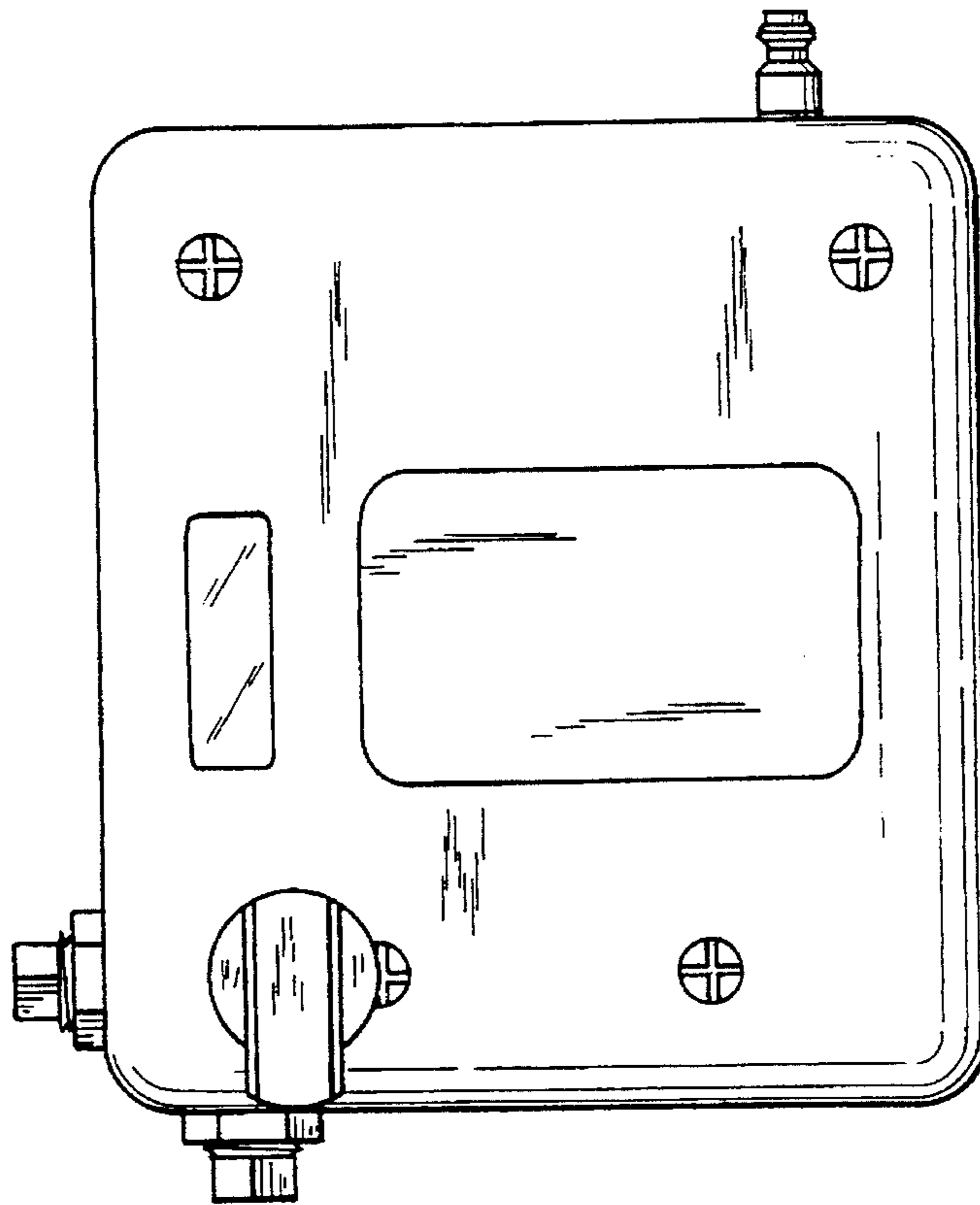


FIG. 3

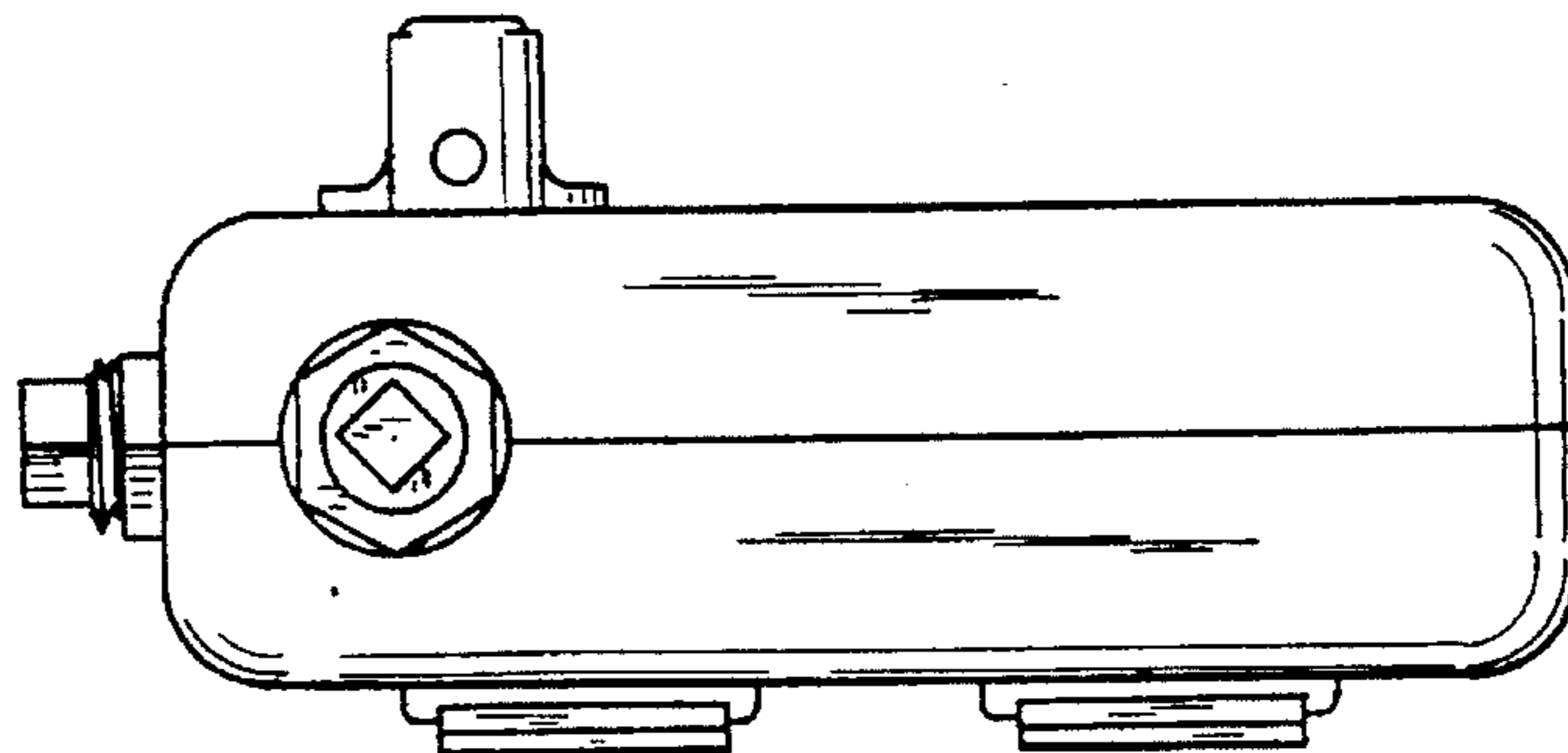


FIG. 4

FIG. 5

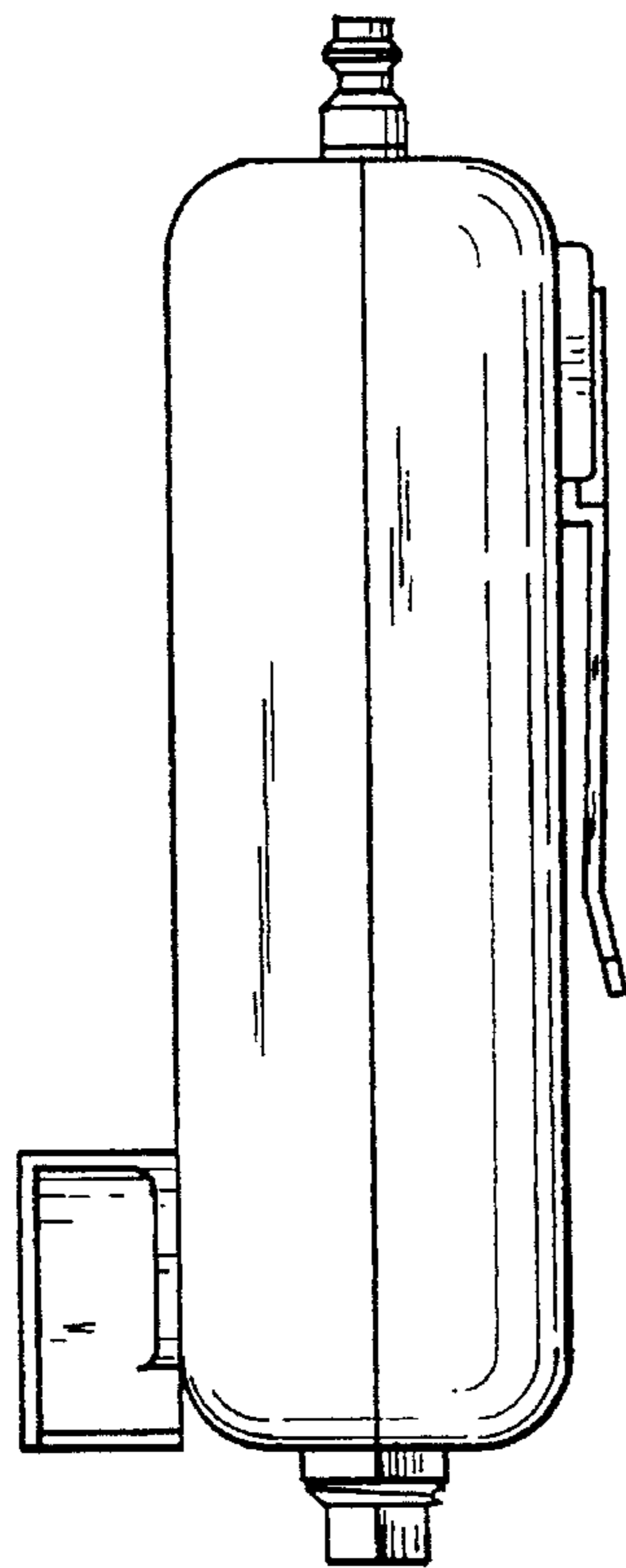
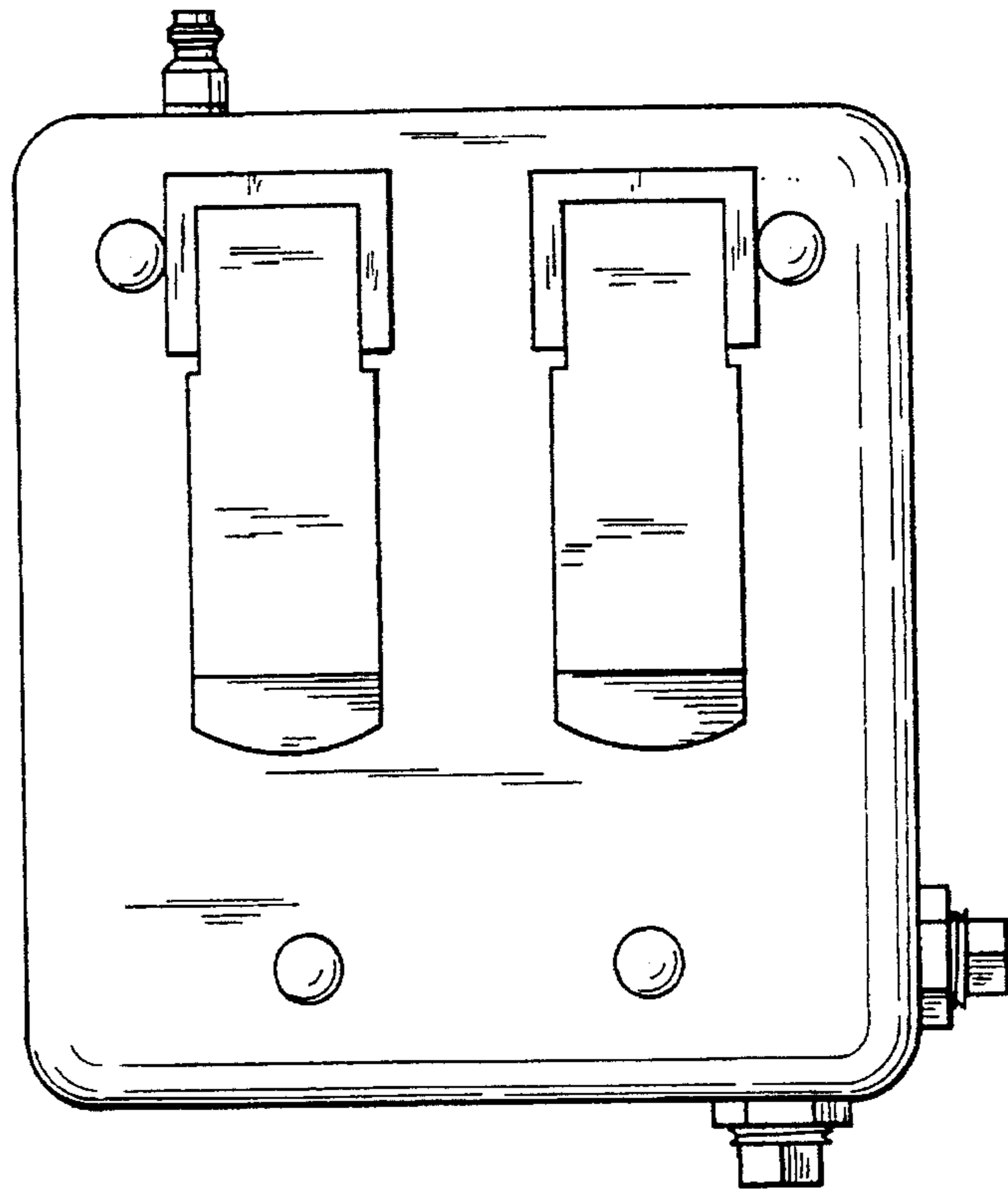


FIG. 6

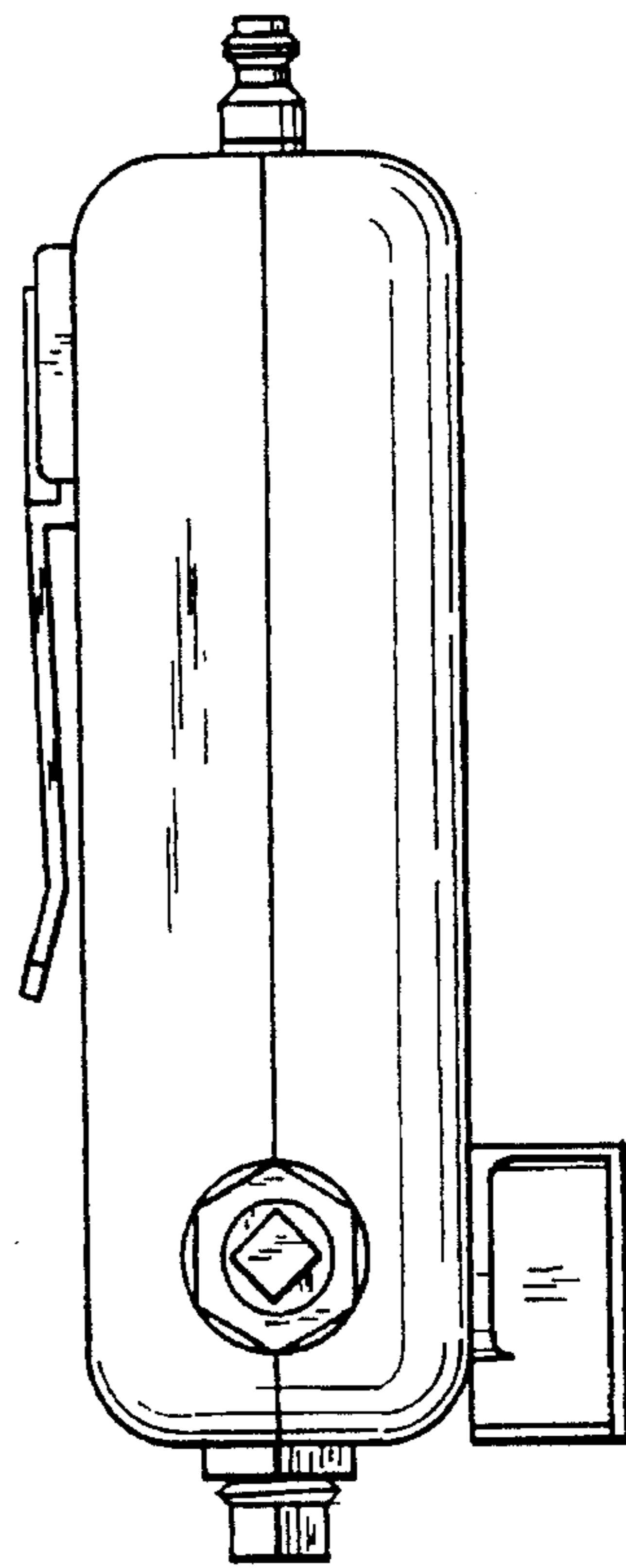


FIG. 7