



US00D377211S

# United States Patent [19]

[11] Patent Number: **Des. 377,211**

Jane et al.

[45] Date of Patent: **\*\*Jan. 7, 1997**

- [54] **HUMIDIFIER TANK**
- [75] Inventors: **Rodney Jane**, Westboro, Mass.;  
**Jui-Shang Wang**, Taipei, Taiwan;  
**Stanley Gresens**, Homewood; **Gregory Holderfield**, Palatine, both of Ill.
- [73] Assignee: **Duracraft Corp.**, Southborough, Mass.
- [\*\*] Term: **14 Years**
- [21] Appl. No.: **44,158**
- [22] Filed: **Sep. 19, 1995**
- [52] U.S. Cl. .... **D23/358; D23/356**
- [58] Field of Search ..... 223/356-363;  
261/91, 81, DIG. 48; 392/403-406, 394;  
422/120, 123

- D. 320,440 10/1991 Chiu ..... D23/356
- D. 321,048 10/1991 Chiu ..... D23/356
- D. 322,121 12/1991 Chiu ..... D23/356
- D. 328,342 7/1992 Pasch et al. .... D23/356
- D. 330,074 10/1992 Wang et al. .... D23/356
- D. 335,339 5/1993 Glucksman et al. .... D23/356
- D. 335,340 5/1993 Marvin, Jr. .... D23/356
- D. 335,341 5/1993 O'Grady ..... D23/360
- D. 336,511 6/1993 Chiu et al. .... D23/356
- D. 336,761 6/1993 Chan ..... D23/356
- D. 337,634 7/1993 Copland et al. .... D23/356
- D. 342,989 1/1994 Wallen ..... D23/357
- D. 344,790 3/1994 Glucksman et al. .... D23/356
- D. 349,334 8/1994 O'Grady et al. .... D23/360
- D. 357,310 4/1995 Chiu et al. .... D23/356
- D. 358,461 5/1995 Barker et al. .... D23/356
- D. 358,874 5/1995 Cunning ..... D23/356
- D. 359,552 6/1995 Chiu et al. .... D23/356

### OTHER PUBLICATIONS

1994-95 Owner's Guide for Holmes Products Corp.'s HM-2060 FP Cool Mist Humidifier.  
1994 Promotional Literature For Duracraft Corporation's Natural Cool Moisture™ Humidifier Model No. DH-836.

*Primary Examiner*—Lisa P. Lichtenstein  
*Attorney, Agent, or Firm*—Morgan & Finnegan

### [57] CLAIM

The ornamental design for a humidifier tank, as shown.

### DESCRIPTION

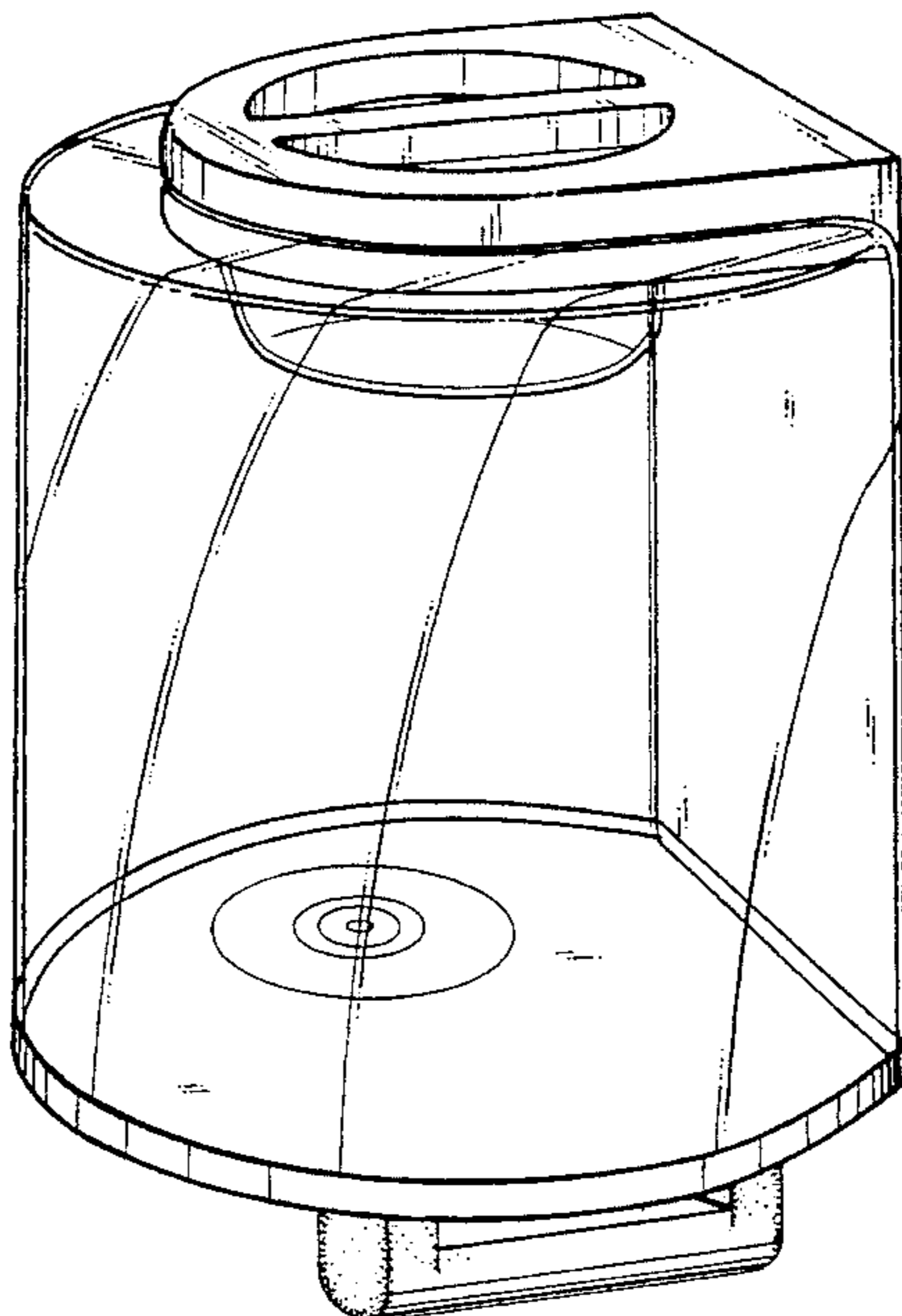
FIG. 1 is a front elevational view of the design for a humidifier tank in accordance with the present invention; FIG. 2 is a rear elevational view thereof; FIG. 3 is a left side elevational view thereof; FIG. 4 is a bottom plan view thereof; FIG. 5 is a top plan view thereof; FIG. 6 is a right side elevational view thereof; and, FIG. 7 is a perspective view thereof.

1 Claim, 7 Drawing Sheets

### [56] References Cited

#### U.S. PATENT DOCUMENTS

- D. 255,712 7/1980 Chihara ..... D23/146
- D. 279,215 6/1985 Mango et al. .... D23/146
- D. 287,274 12/1986 Crowley et al. .... D23/146
- D. 287,275 12/1986 Uchida ..... D23/146
- D. 287,755 1/1987 Imai et al. .... D23/146
- D. 288,596 3/1987 Young Se ..... D23/146
- D. 288,597 3/1987 Young Se ..... D23/146
- D. 289,325 4/1987 Nishikawa ..... D23/146
- D. 290,168 6/1987 Watanabe et al. .... D23/146
- D. 294,292 2/1988 Suzuki ..... D23/356
- D. 298,351 11/1988 Ihlenfeld et al. .... D23/356
- D. 304,366 10/1989 Meyers ..... D23/356
- D. 305,358 1/1990 Martinez ..... D23/356
- D. 305,562 1/1990 Martinez ..... D23/356
- D. 306,063 2/1990 Chiu et al. .... D23/356
- D. 307,653 5/1990 Weirsmann et al. .... D32/1
- D. 308,413 6/1990 Wong ..... D23/356
- D. 309,009 7/1990 Herritz ..... D23/362
- D. 309,656 7/1990 Lee ..... D23/356
- D. 316,598 4/1991 Morooka ..... D23/356
- D. 320,071 9/1991 Cook ..... D23/356



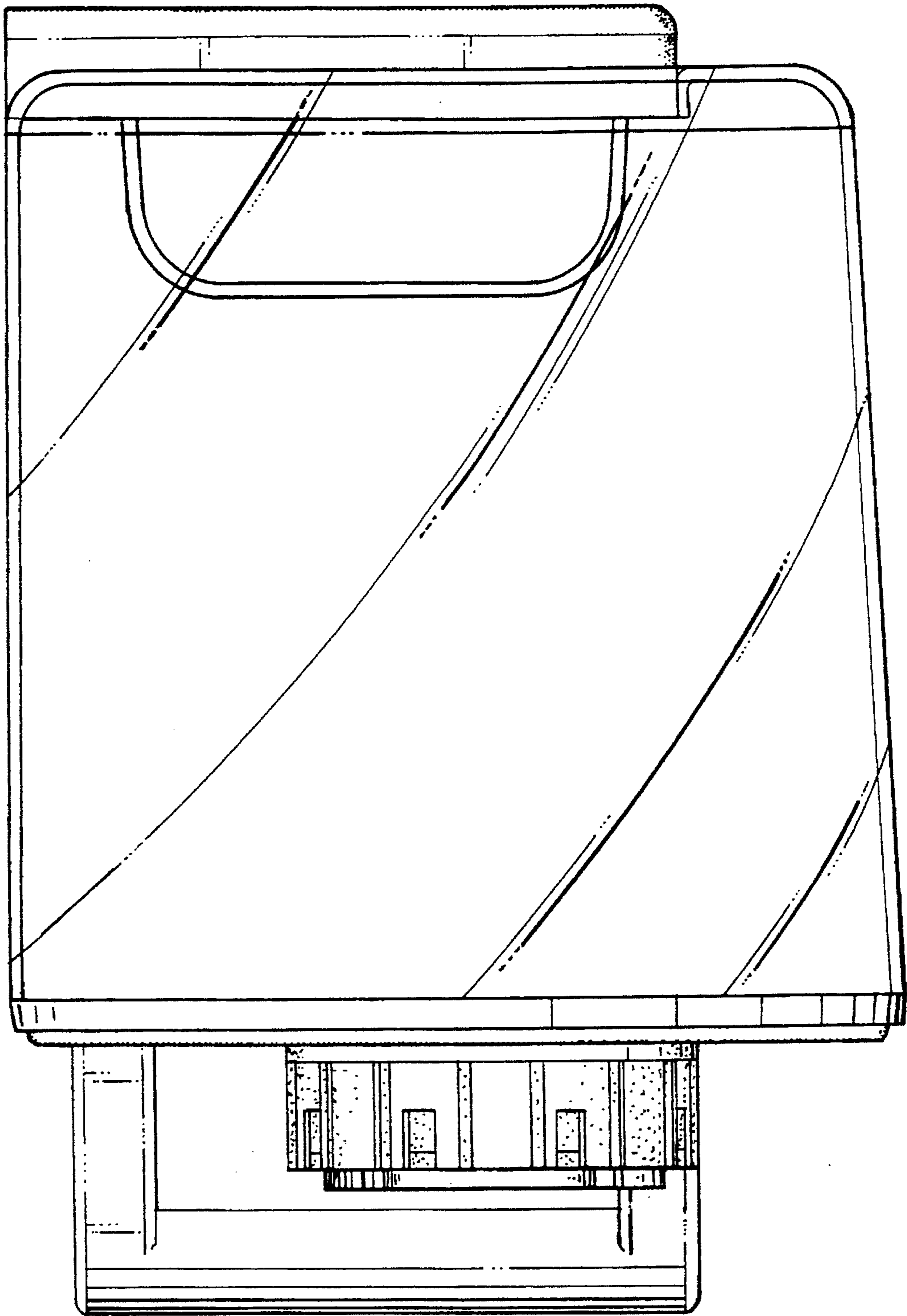


FIG. 1

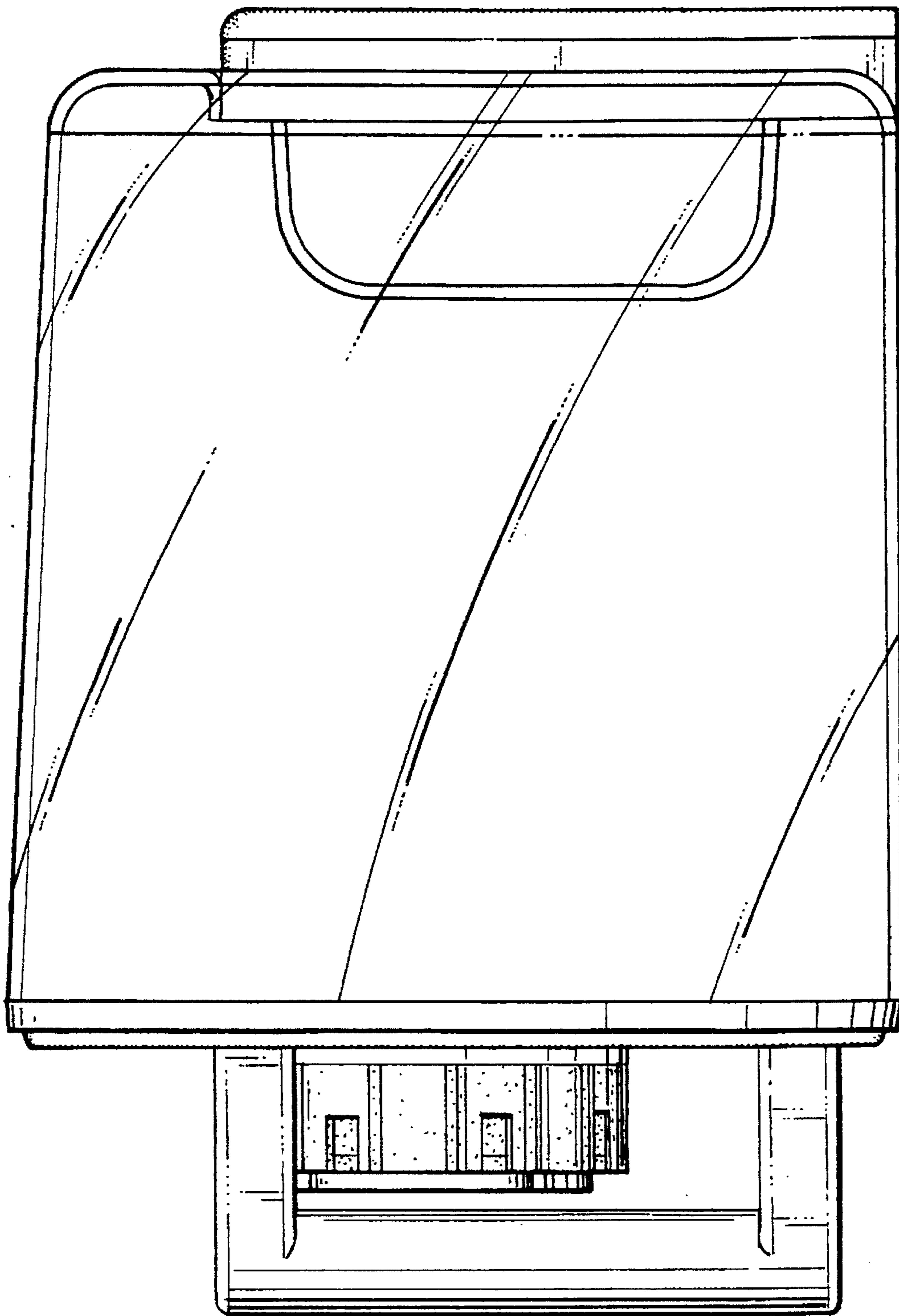


FIG. 2

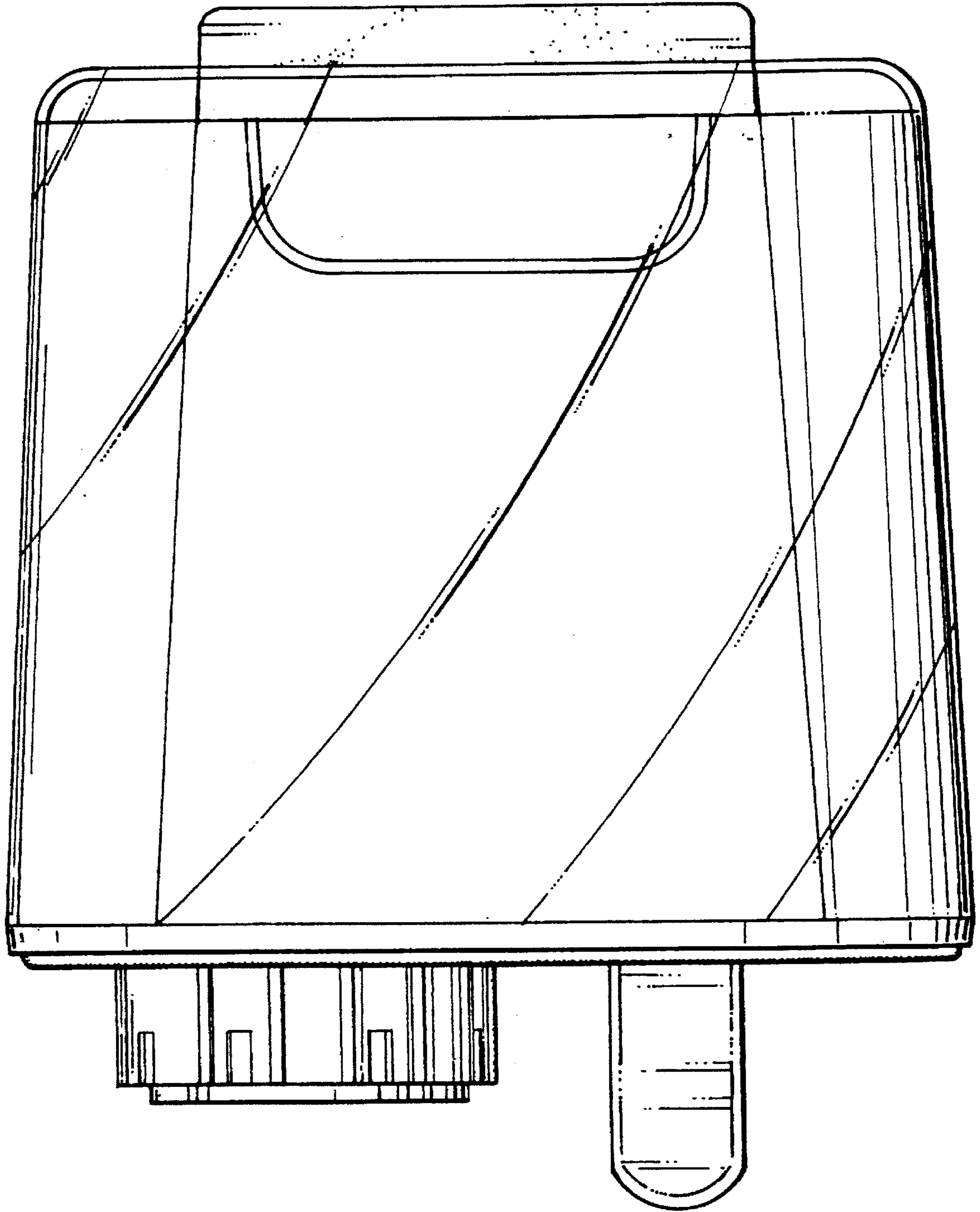


FIG. 3

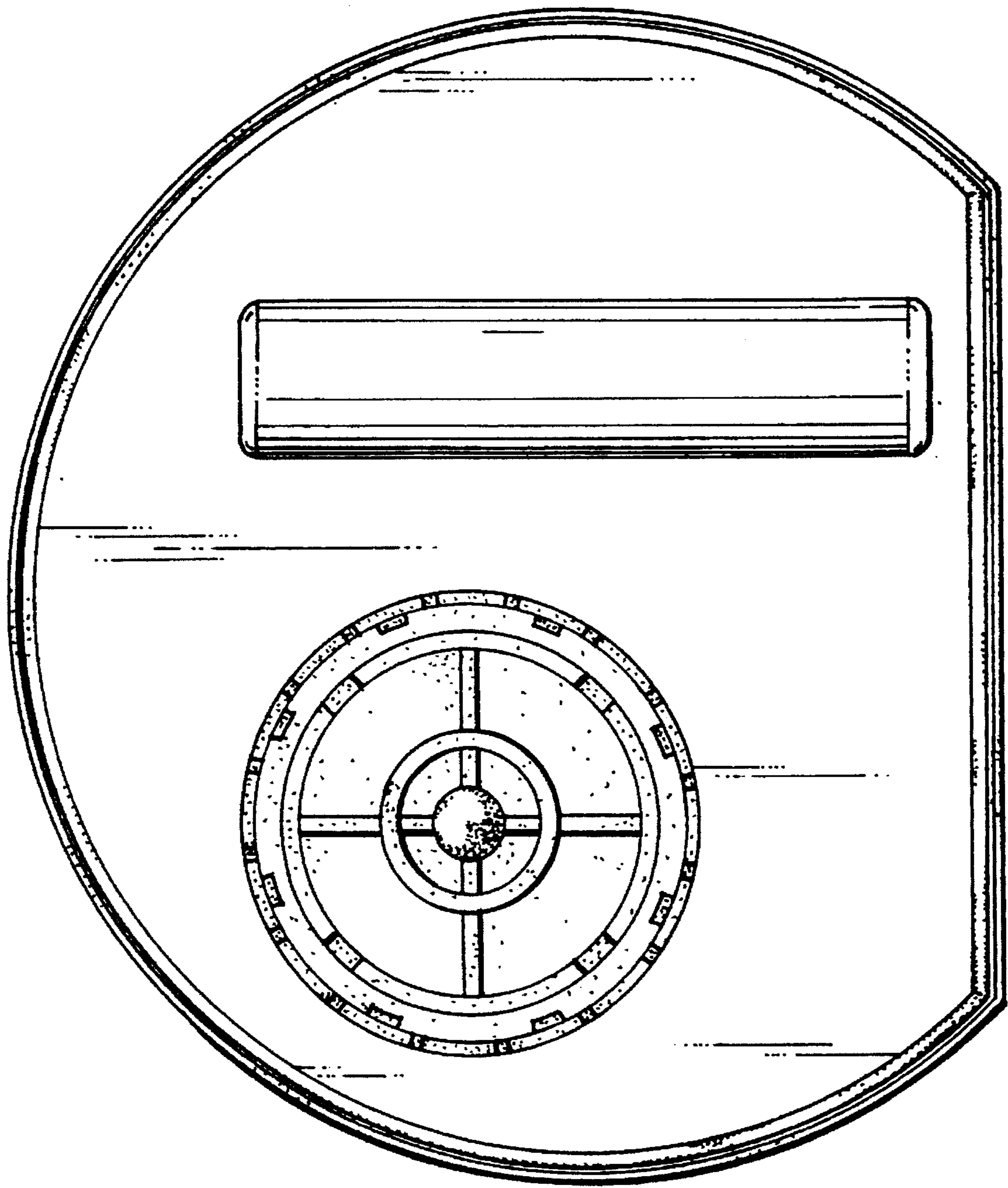


FIG. 4

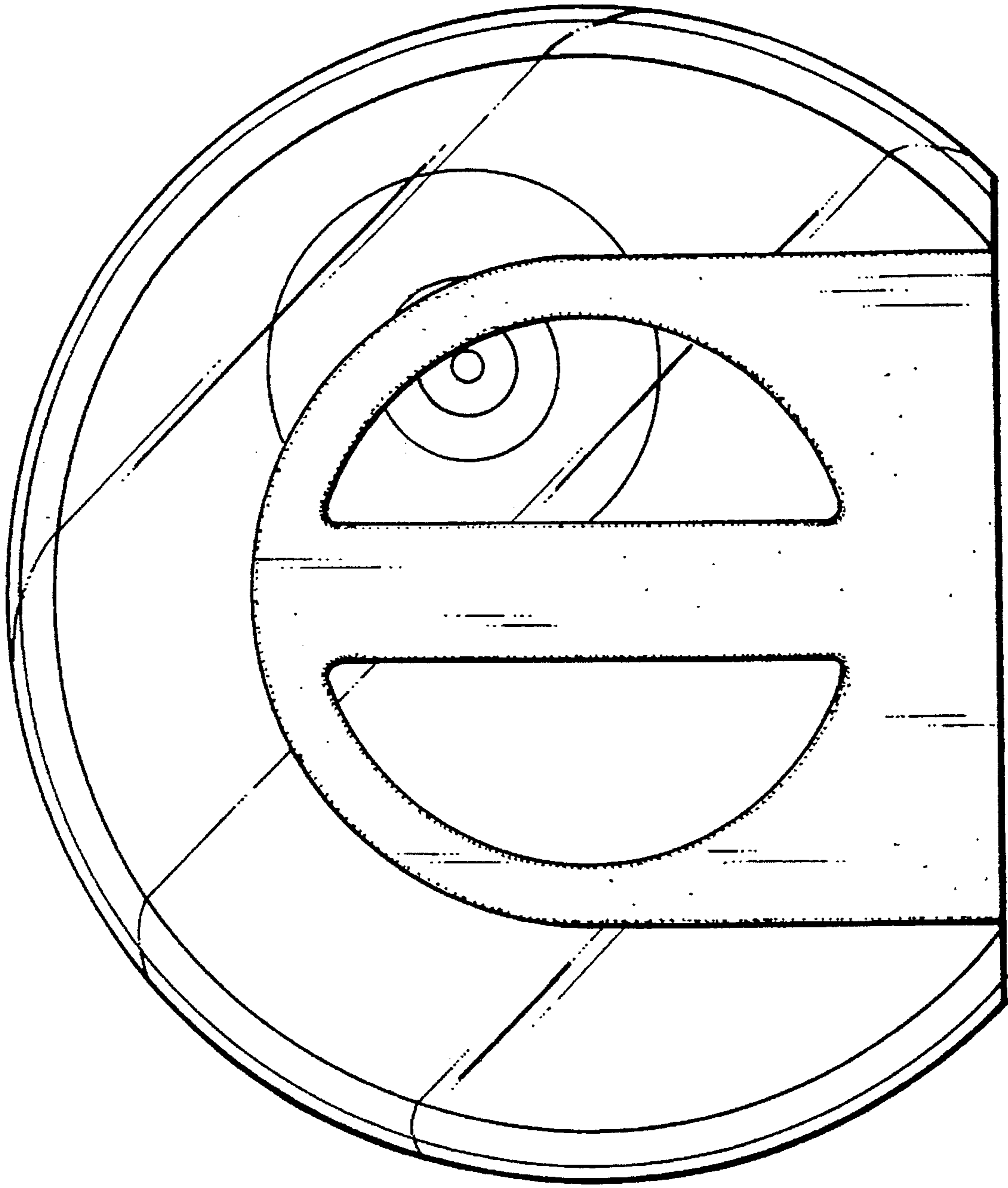


FIG. 5

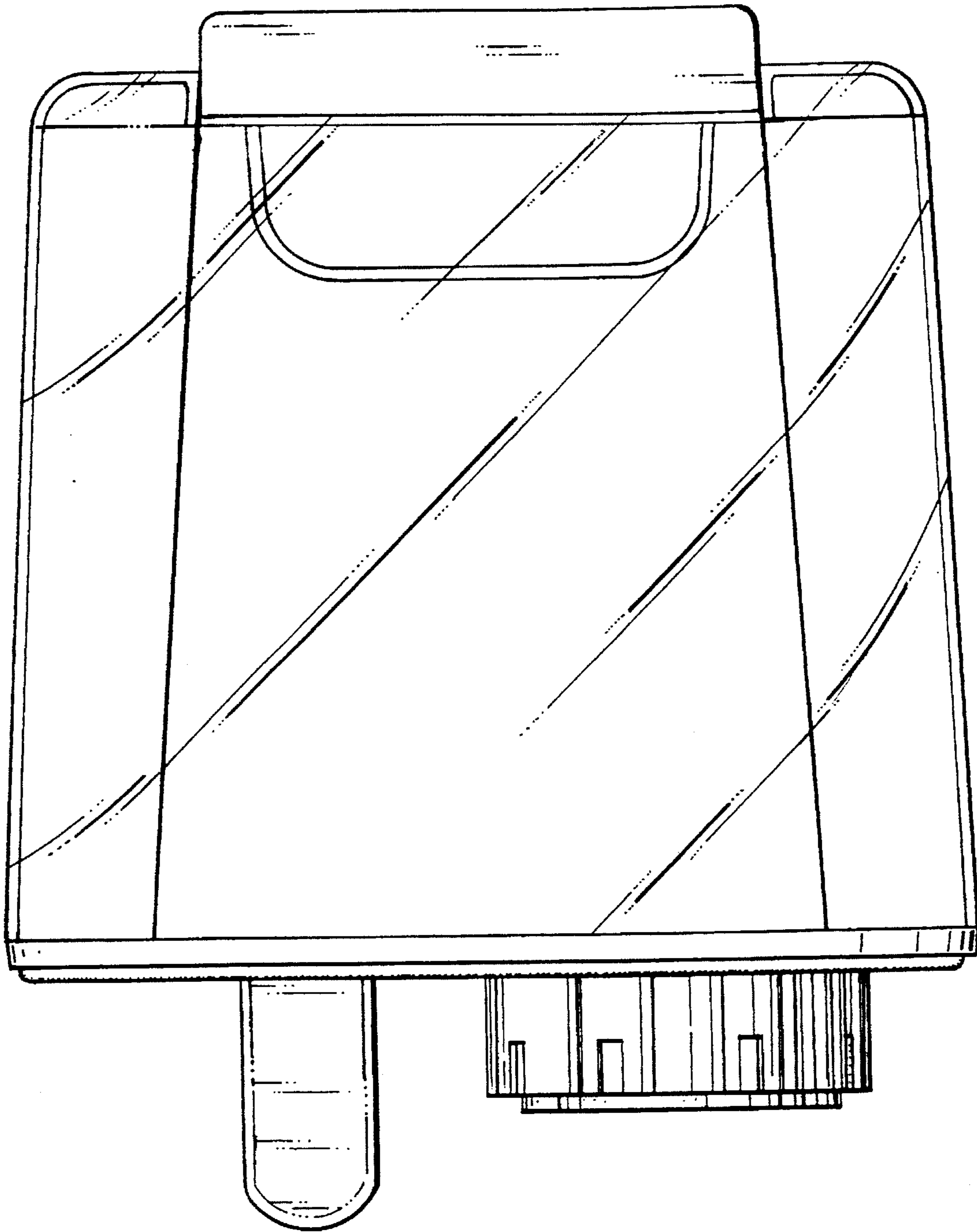


FIG. 6

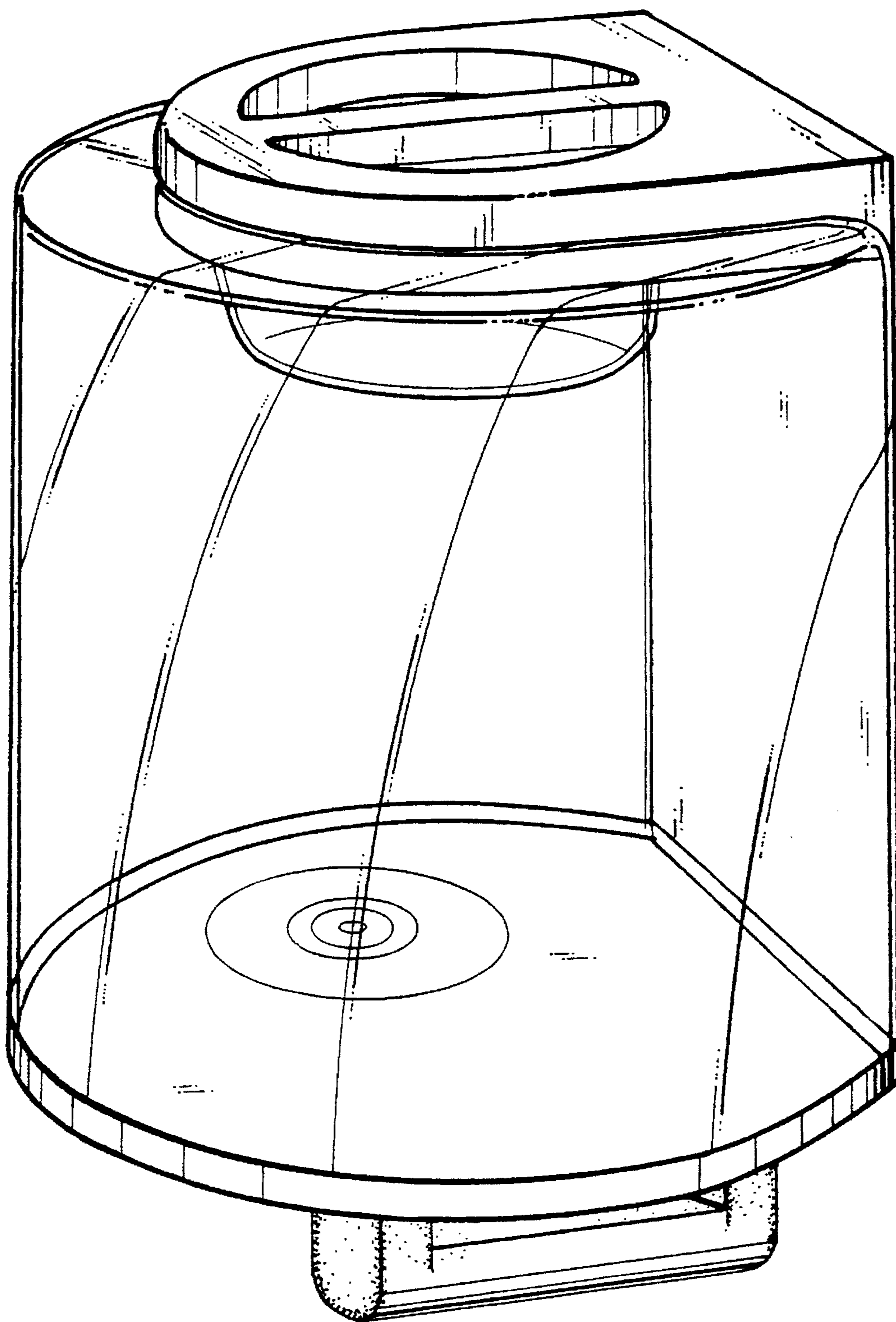


FIG. 7