



US00D377205S

United States Patent [19]
Roman

[11] **Patent Number:** **Des. 377,205**
[45] **Date of Patent:** ****Jan. 7, 1997**

[54] **END HOUSING FOR AN OSCILLATING IRRIGATOR**

3,647,140	3/1972	Perrot et al.	239/242
3,829,018	8/1974	Oberto	239/242
4,457,471	7/1984	Roman	239/242
4,721,248	1/1988	Chow	239/242

[75] Inventor: **Gianfranco Roman**, Pasiano, Italy

[73] Assignee: **Claber S.p.A.**, Fiume Veneto, Italy

[**] Term: **14 Years**

Primary Examiner—A. Hugo Word
Assistant Examiner—Robin V. Taylor
Attorney, Agent, or Firm—Nixon & Vanderhye, P.C.

[21] Appl. No.: **40,623**

[57] **CLAIM**

[22] Filed: **Jun. 22, 1995**

The ornamental design for an end housing for an oscillating irrigator, as shown and described.

[30] **Foreign Application Priority Data**

DESCRIPTION

Jan. 3, 1995 [IT] Italy MI95/00008

[52] U.S. Cl. **D23/216**

[58] Field of Search D23/213, 214,
D23/215, 216, 223-230; 239/288, 288.3,
288.5, 240, 241, 242, 222.13, 222.21

FIG. 1 shows in frontal view my new sidewall;
FIG. 2 shows the sidewall in rear view;
FIG. 3 shows the sidewall in top view;
FIG. 4 shows the sidewall in bottom view;
FIG. 5 shows the sidewall in left-hand lateral view with respect to FIG. 1;
FIG. 6 shows the sidewall in right-hand lateral view with respect to FIG. 1; and,
FIG. 7 is a front, left perspective view.

[56] **References Cited**

U.S. PATENT DOCUMENTS

D. 229,179	11/1973	Rodgers	D23/214
D. 245,915	9/1977	Pearson	D23/214
3,578,248	5/1971	Congdon	239/242

1 Claim, 4 Drawing Sheets

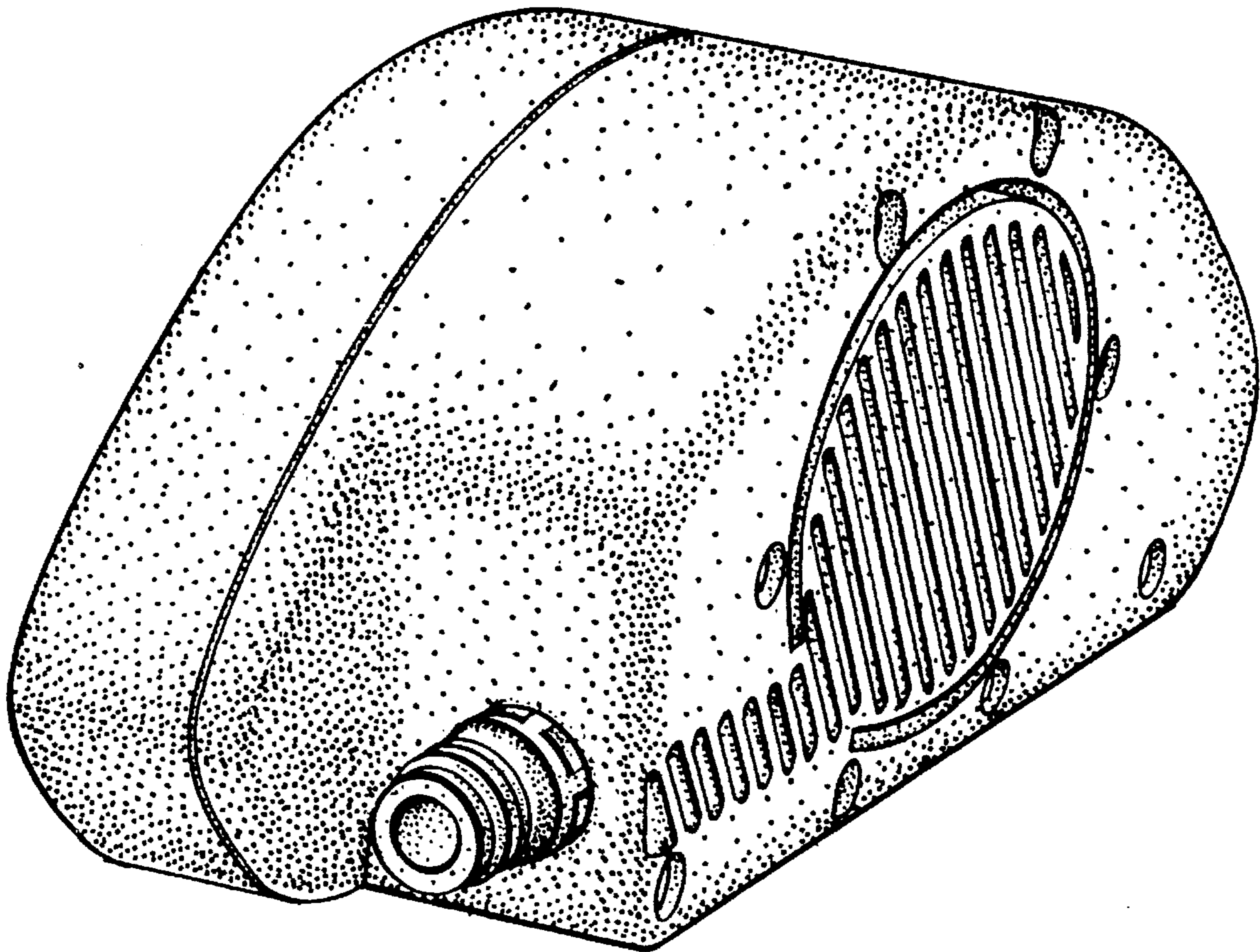


Fig. 1

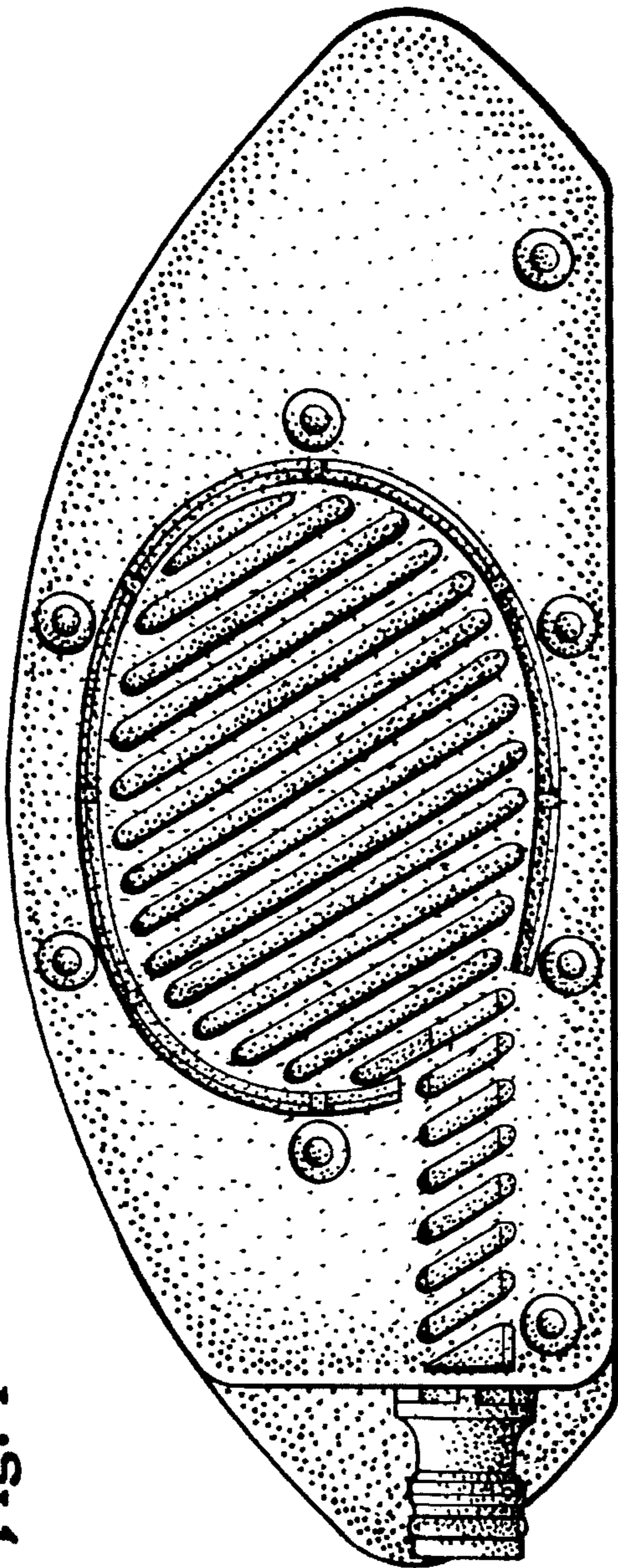
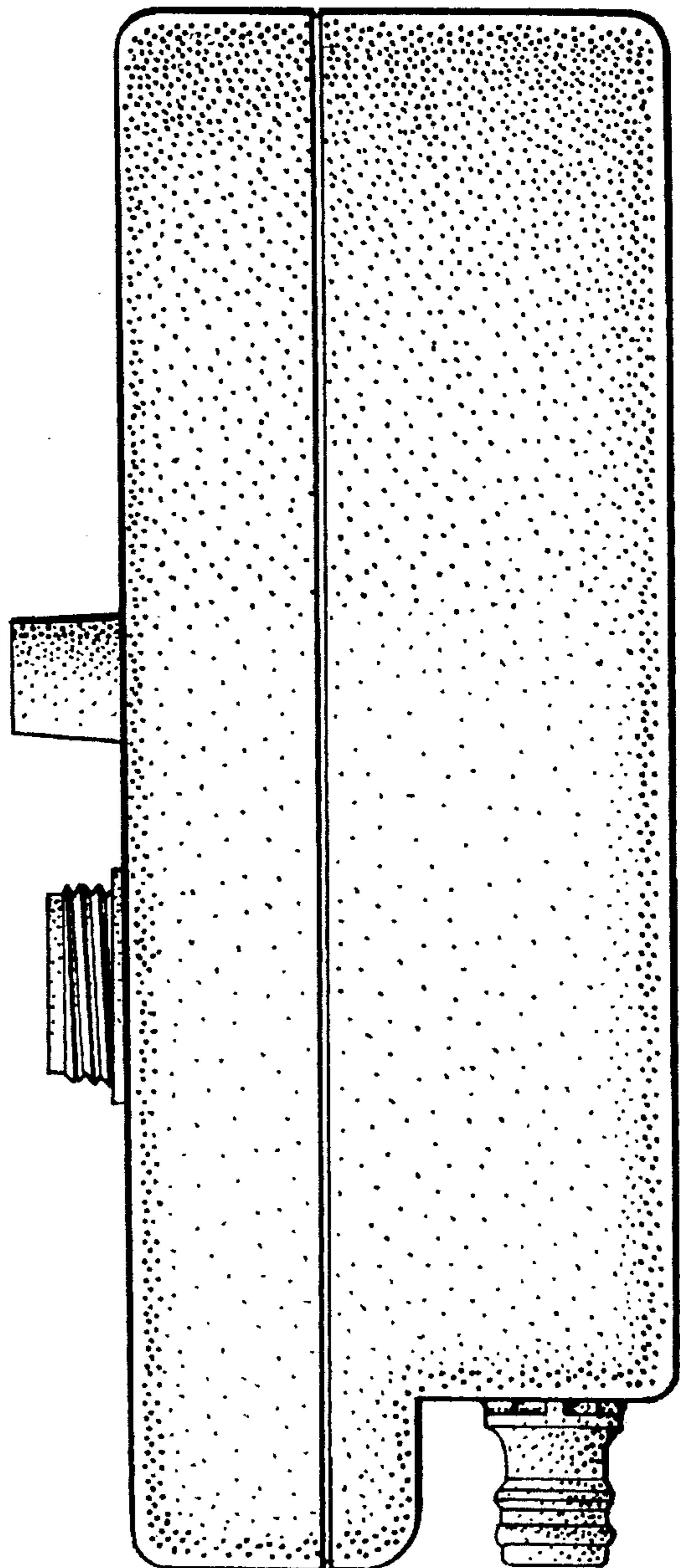


Fig. 3



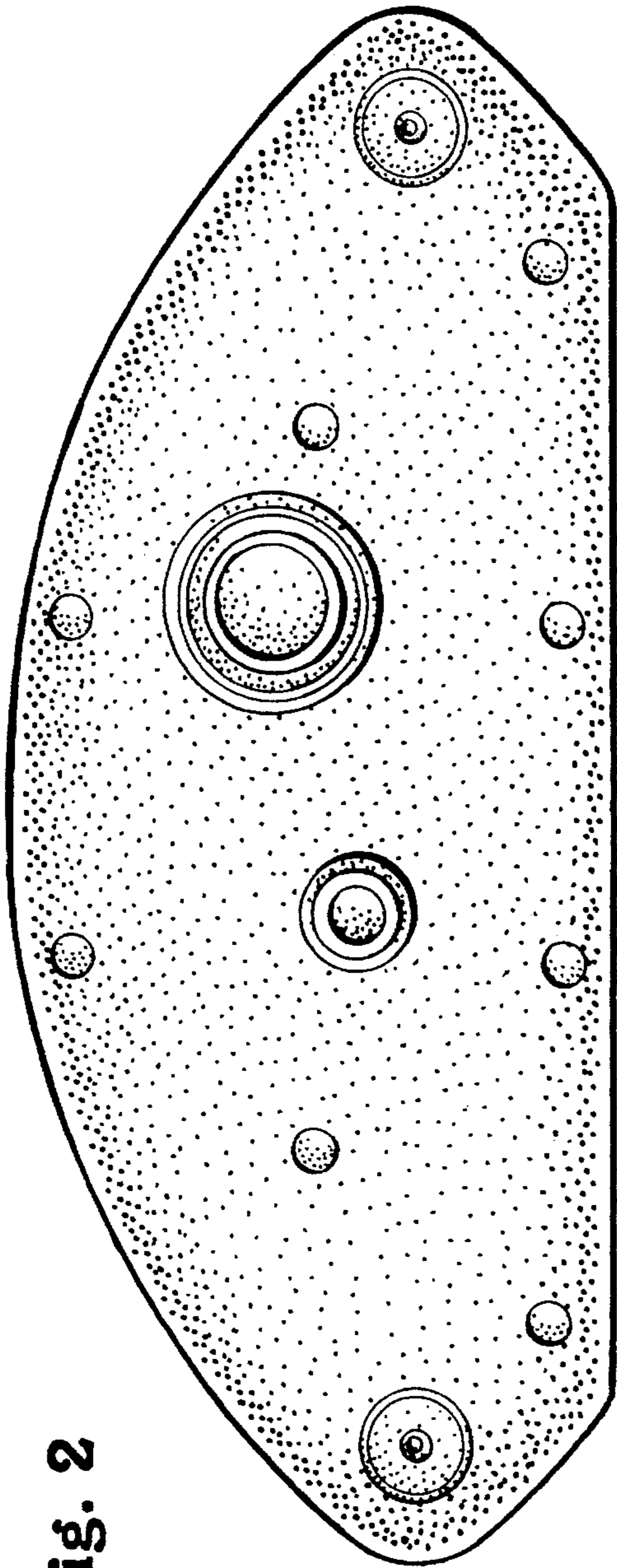


Fig. 2

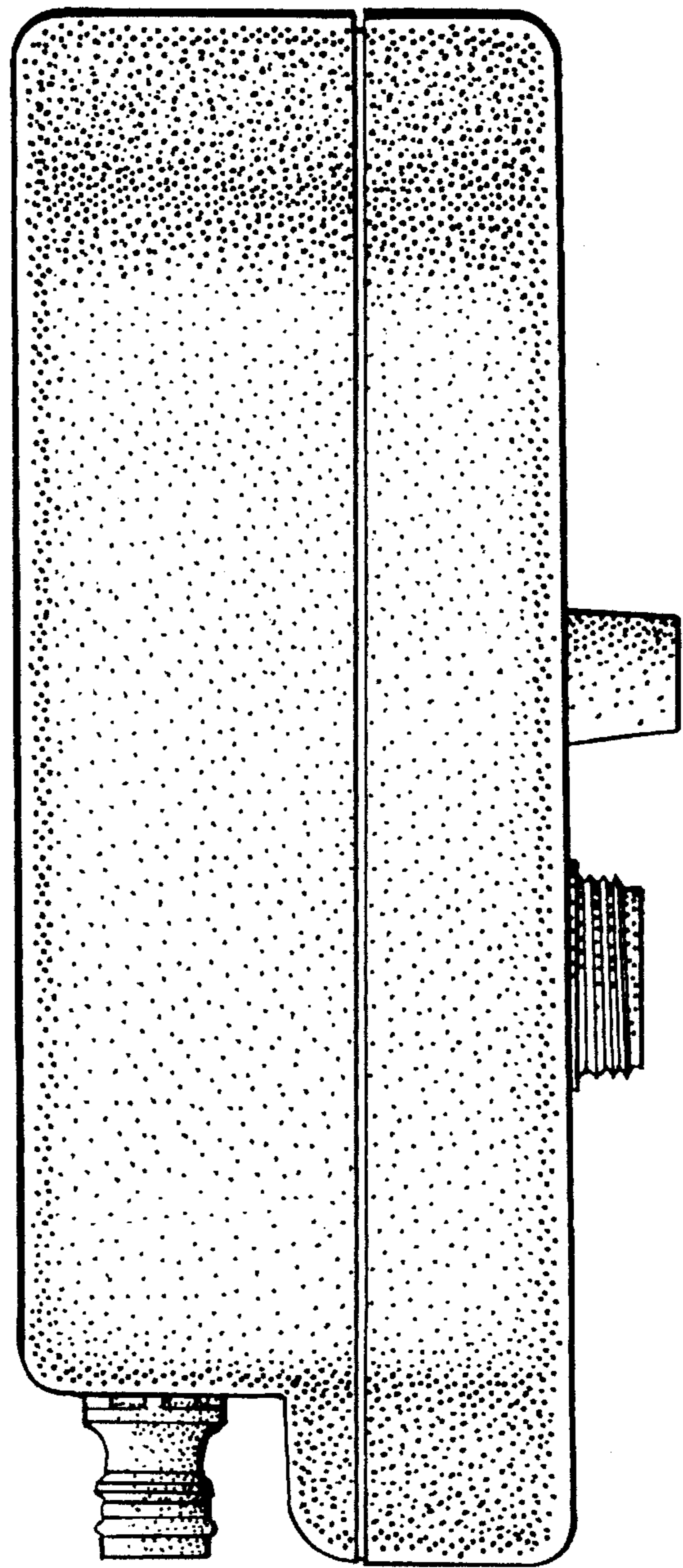


Fig. 4

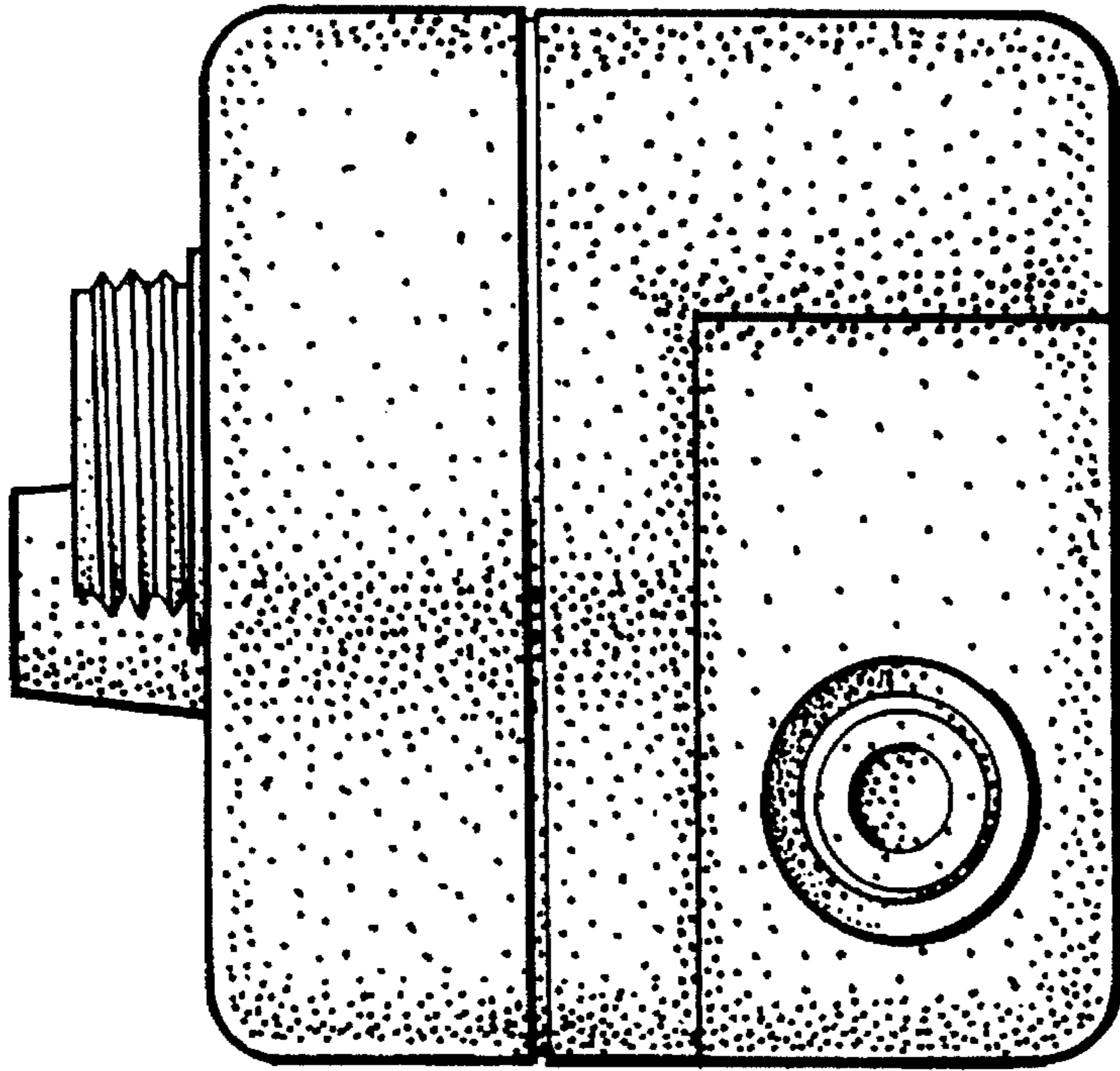


Fig. 5

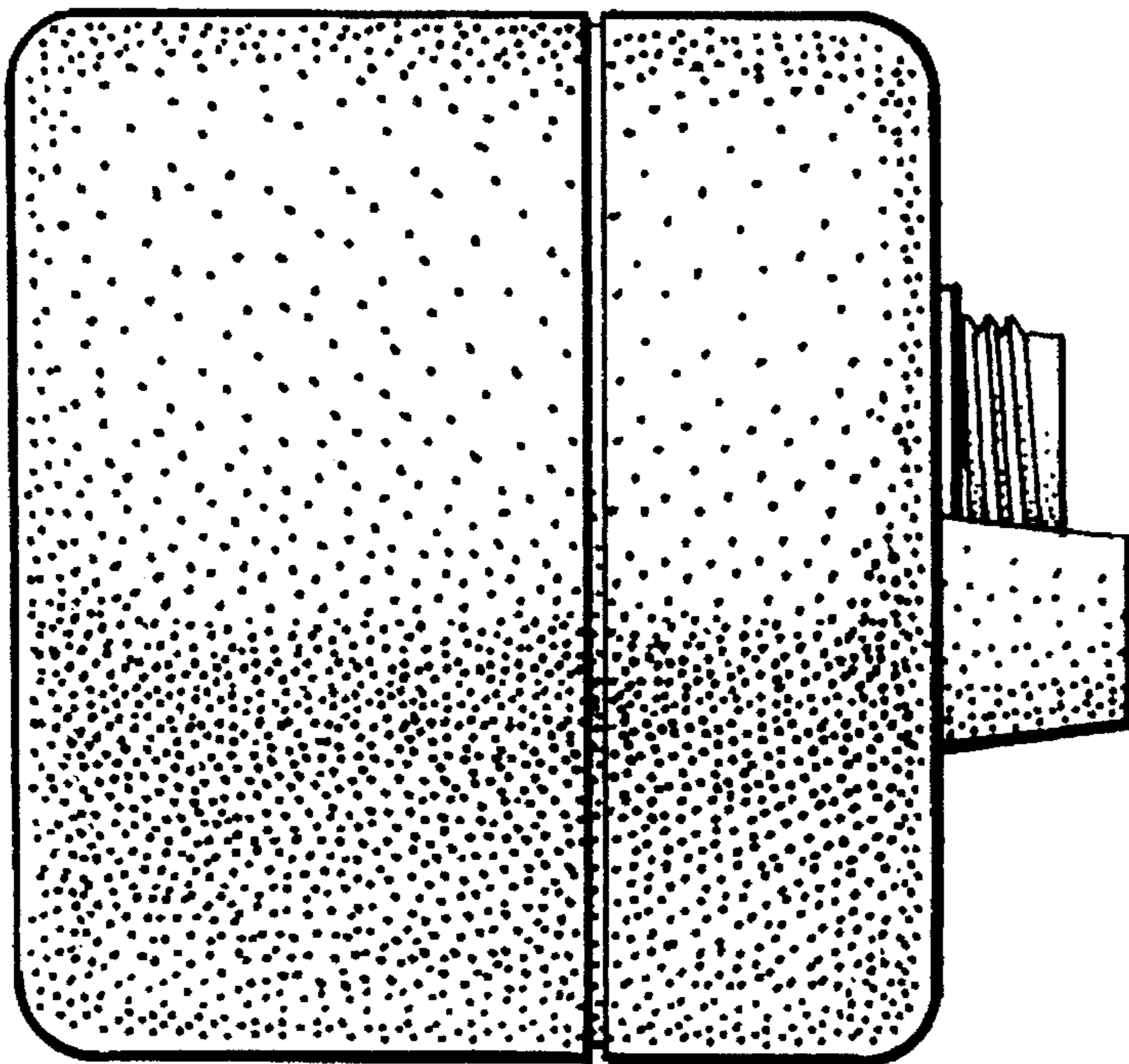


Fig. 6

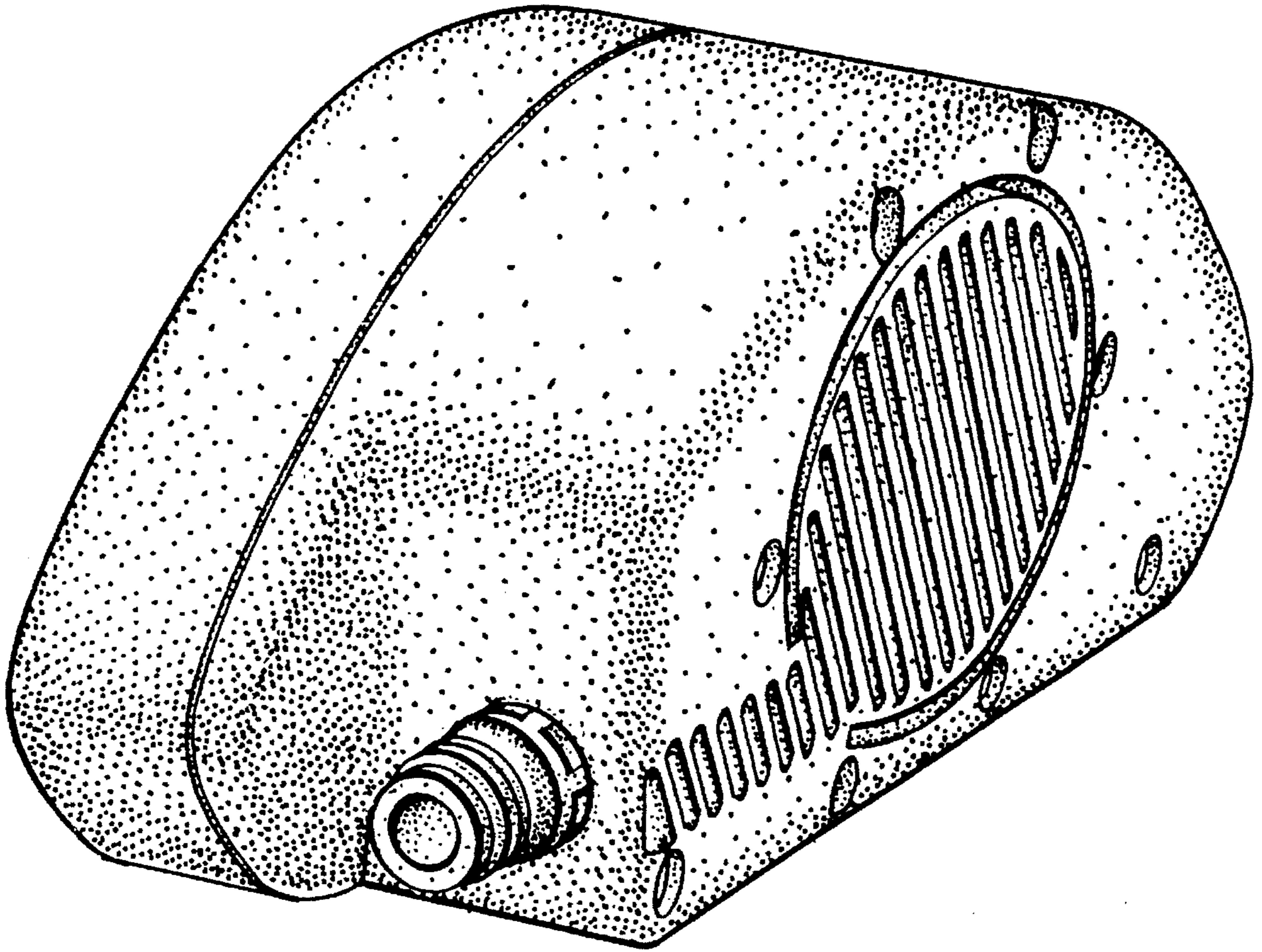


Fig. 7