



US00D377203S

United States Patent [19]
Jaeb

[11] **Patent Number: Des. 377,203**
[45] **Date of Patent: **Jan. 7, 1997**

[54] **CLIMB AND SLIDE STRUCTURE**

[75] Inventor: **Michael S. Jaeb**, Hiram, Ohio

[73] Assignee: **The Little Tikes Company**, Hudson, Ohio

[**] Term: **14 Years**

[21] Appl. No.: **41,029**

[22] Filed: **Jul. 3, 1995**

[52] **U.S. Cl.** **D21/244**

[58] **Field of Search** **D21/240-246,**
D21/109; 472/116, 117; 482/35, 36

[56] **References Cited**

U.S. PATENT DOCUMENTS

D. 224,243	7/1972	Hock et al.	D34/5
D. 224,247	7/1972	Jamison	D21/243
D. 249,403	9/1978	Lamb	D21/244 X
D. 250,723	1/1979	Dieter et al.	D21/3
D. 251,262	3/1979	Barrett et al.	D21/3
D. 262,818	1/1982	Works	D21/3
D. 271,037	10/1983	Gordon	D31/3
D. 281,985	12/1985	Spirk et al.	D21/109
D. 303,826	10/1989	Aker	D21/244
D. 333,328	2/1993	Aker et al.	D21/114
D. 334,610	4/1993	Aker	D21/244
D. 340,098	10/1993	Petersheim	D21/242
D. 340,099	10/1993	Warren et al.	D21/243
D. 340,273	10/1993	Ezell	D21/244
D. 343,438	1/1994	Fish	D21/244
D. 344,773	3/1994	Aker et al.	D21/244
D. 347,458	5/1994	Cunard et al.	D21/243
D. 355,693	2/1995	Aker et al.	D21/244
D. 358,860	5/1995	Pipik	D21/245
D. 361,614	8/1995	Aker et al.	D21/244
4,262,900	4/1981	Vinson	272/113
4,447,055	5/1984	Ahrens	472/116 X
4,796,884	1/1989	Ely et al.	272/113
4,941,658	7/1990	Poo	482/35

FOREIGN PATENT DOCUMENTS

0534058 6/1992 European Pat. Off. .

OTHER PUBLICATIONS

Catalog page, Climber; Step 2 Corporation, 2200 Highland Road, P.O. Box 444, Twinsburg, Ohio 44087. Publication date 1993.

Pp. 4, 12 and 18, Play structures; ChildLife Inc., 55 Whitney Street, Holliston, Massachusetts 01746. Publication date 1995.

Catalog page, Play structure; Rainbow Play Systems, Inc., address unknown. Publication date Spring, 1990.

Line art page, Play structure; Hedstrom Corporation, P.O. Box 432, Sunnyside Road, Bedford, Pennsylvania 15522. Publication date 1991.

Pp. 4, 5, 6, 7, 20 and 21, Play structures; Swing-n-Slide Corp., 1212 Barberry Drive, Janesville, Wisconsin 53545. Publication date Nov., 1993.

Catalog page, Play structures; Play Designs, address unknown. Publication date 1991.

P. 43, Play structure; Playthings; address unknown. Publication date Sep., 1985.

P. 24, Play structures; Educational Media Incorporated, 3191 Westover Drive, Southeast, Washington, DC 20020. Publication date 1980.

(List continued on next page.)

Primary Examiner—Philip S. Hyder

Assistant Examiner—Mitchell I. Siegel

Attorney, Agent, or Firm—Richard B. O'Planick; Lisa B. Riedesel

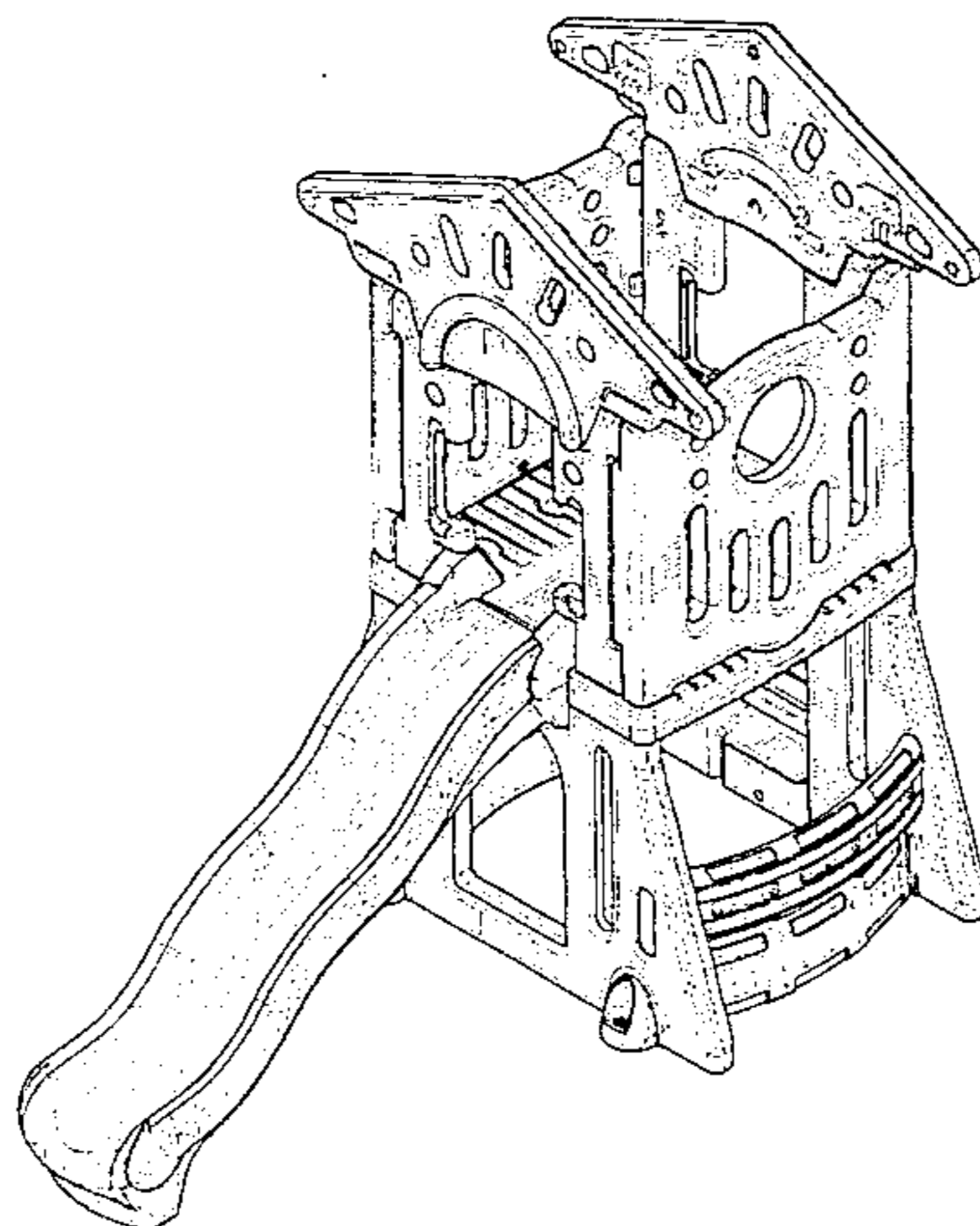
[57] **CLAIM**

The ornamental design for a climb and slide structure, as shown and described.

DESCRIPTION

FIG. 1 is a top right front perspective view of a climb and slide structure showing my new design;
FIG. 2 is a front elevational view thereof;
FIG. 3 is a rear elevational view thereof;
FIG. 4 is a right side elevational view thereof, the left side elevational view being a mirror image;
FIG. 5 is a top plan view thereof; and,
FIG. 6 is a bottom plan view thereof.

1 Claim, 6 Drawing Sheets



OTHER PUBLICATIONS

P. 49, Climber; Mexico Forge, address unknown. Publication date 1984.

Pp. 2 and 3, Play structures; Fisher-Price, 620 Girard Avenue, East Aurora, New York 14052-1879. Publication date Spring, 1995.

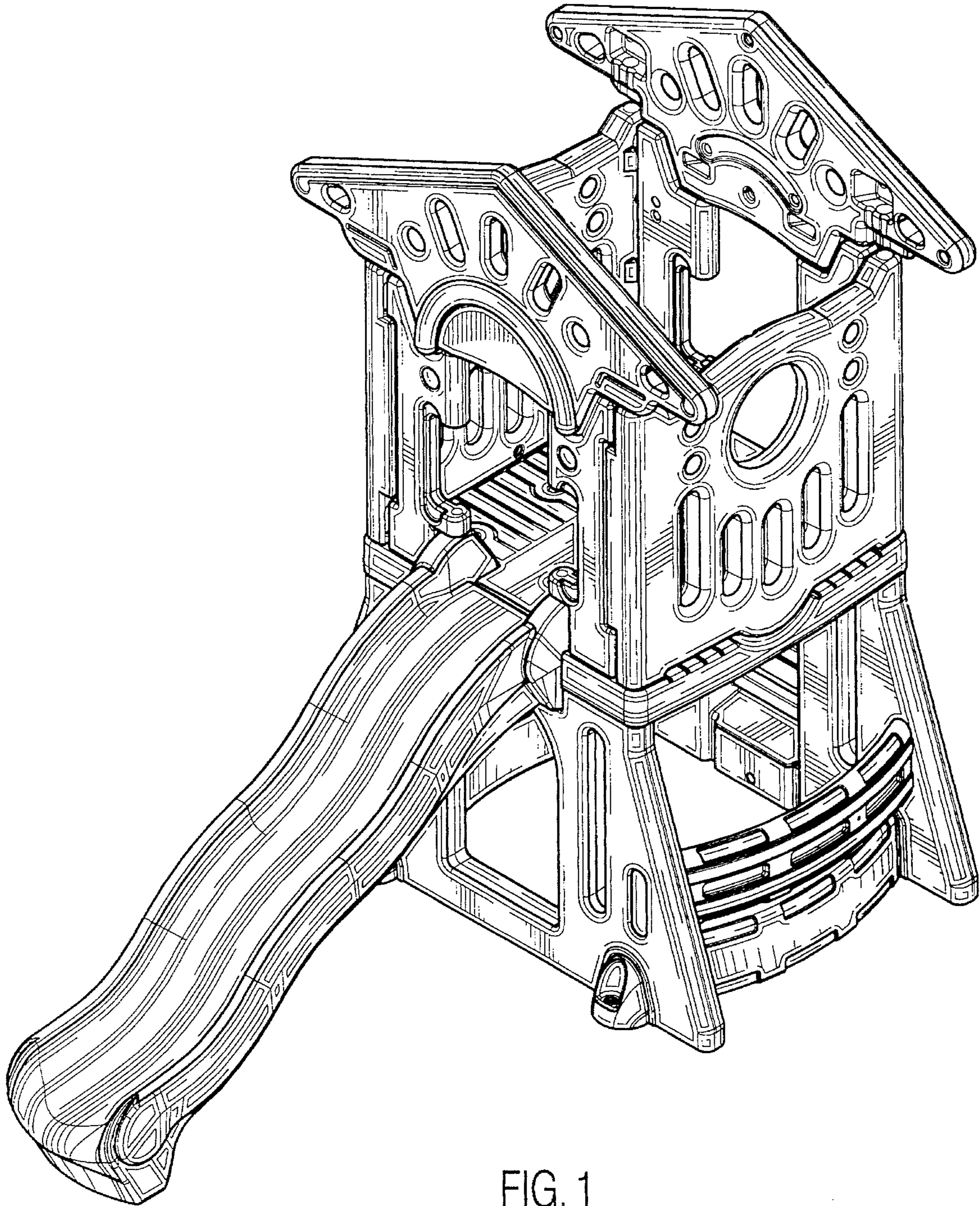


FIG. 1

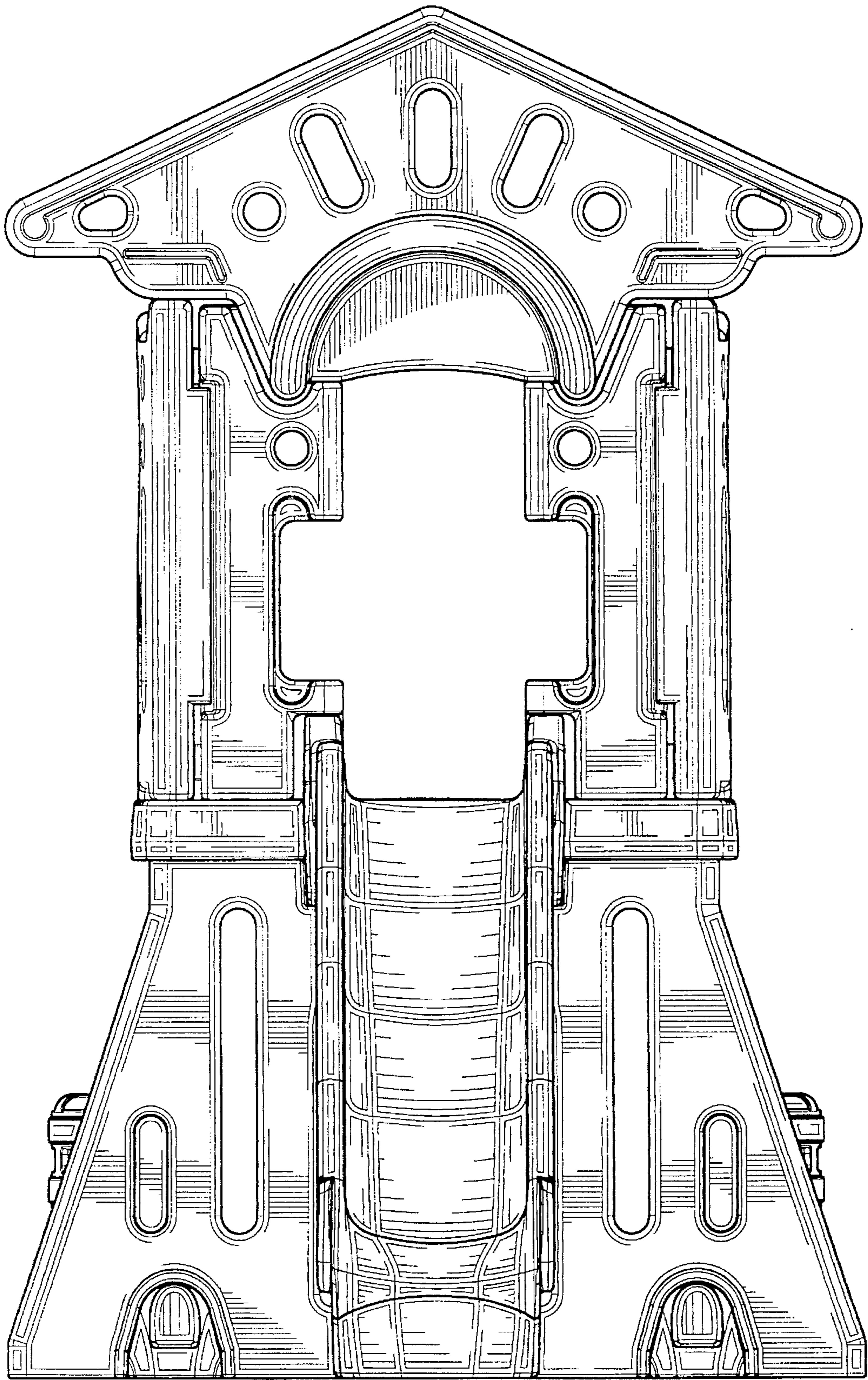


FIG. 2

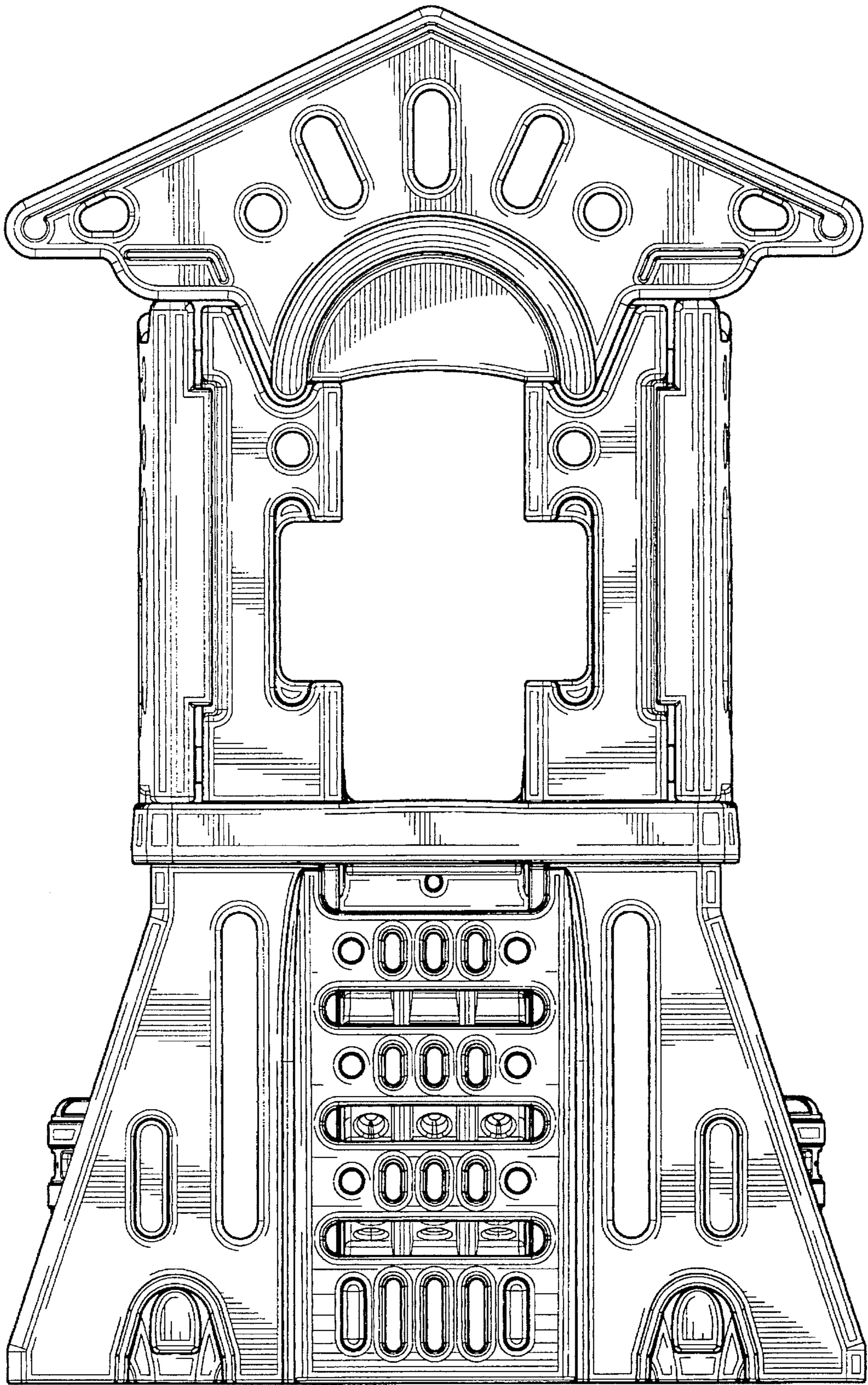


FIG. 3

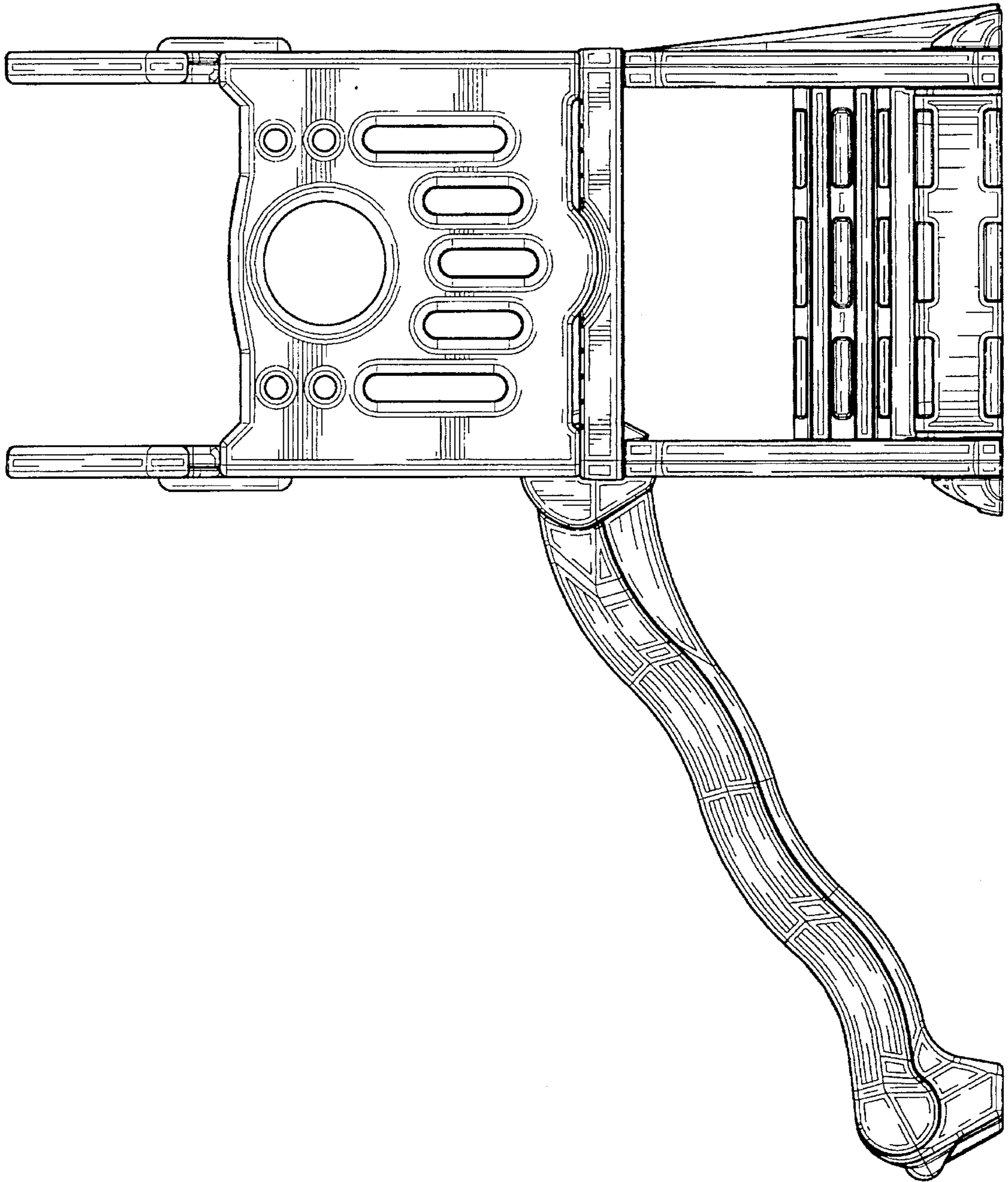


FIG. 4

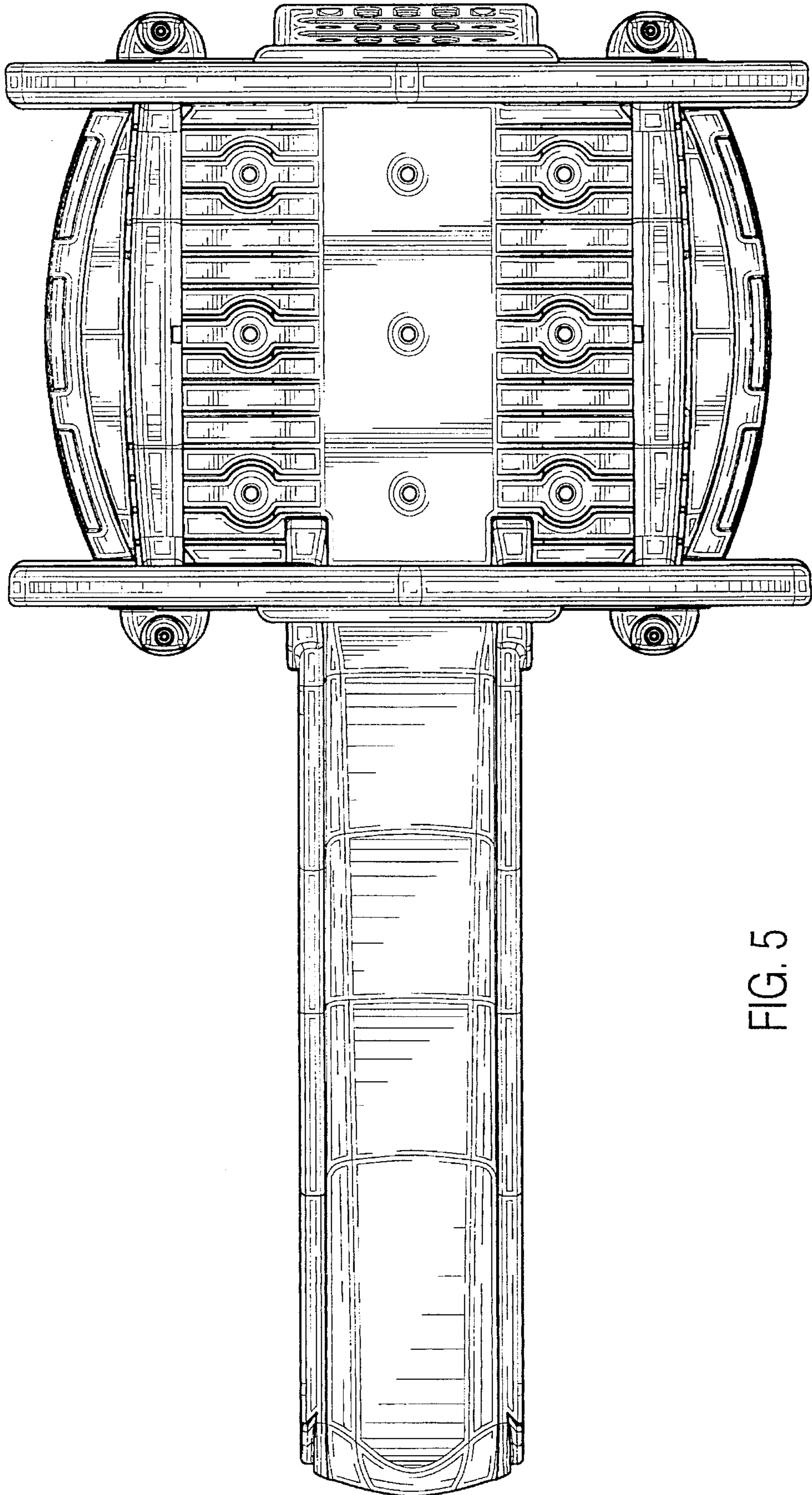


FIG. 5

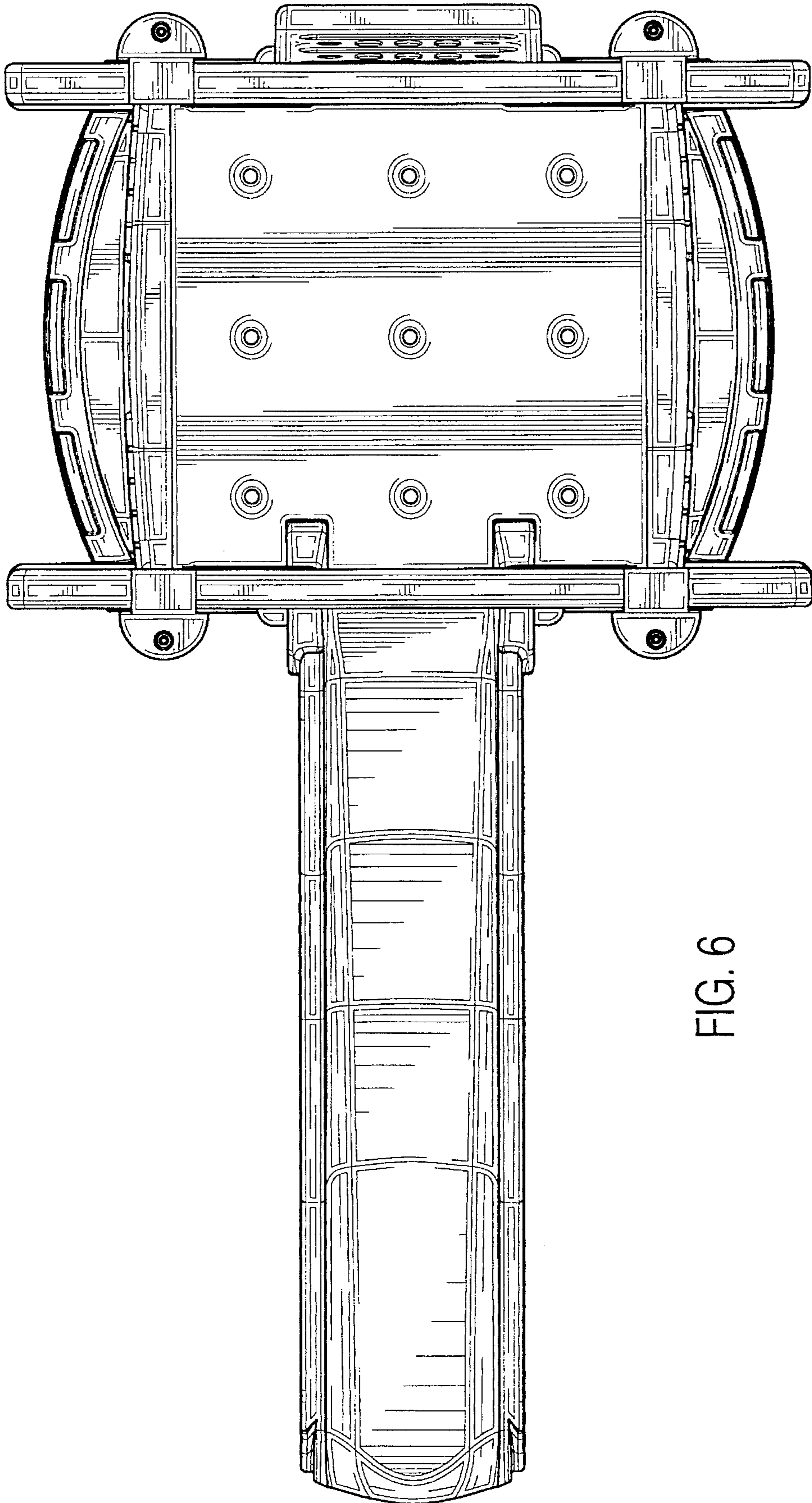


FIG. 6